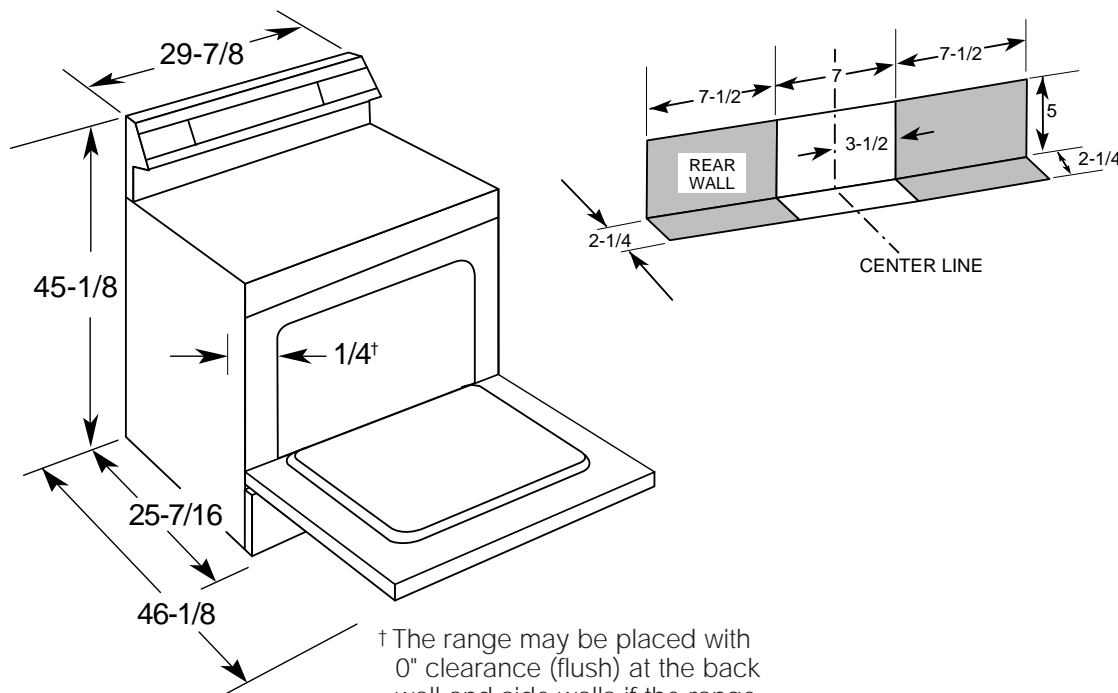


HOTPOINT

RB797BBBB - Hotpoint 30" Free-Standing Self-Clean Electric Convection Oven

Dimensions (in inches)



† The range may be placed with 0" clearance (flush) at the back wall and side walls if the range side trims extend beyond the cabinet fronts at least 1/4". Self-Clean models only

KW Rating	
240V	10.6
208V	8.0
Breaker Size	
40 Amps†	

†Note: Check local codes for required breaker size.

A properly grounded branch circuit with a 3 prong grounding type receptacle is required for Hotpoint ranges.

Note: 30" Electric Ranges conform to U.L. requirements for 0" spacing from walls below countertops. However some kitchen cabinet finishes can be damaged by heat from the range heating elements. It is recommended that a clearance of at least 1-1/2 inches be maintained to walls. Where varnished wood or plastic film finishes are used, a minimum clearance of 6 inches should be maintained.

Receptacle Locations: Locally approved flexible service cord or conduit must be used because terminals are not accessible after range installation. See shaded area in drawing for location of electrical outlet box. Recommended outlet locations allow range to be installed directly against rear wall.

Installation Information: Before installing, consult installation instructions packed with product for current dimensional data.



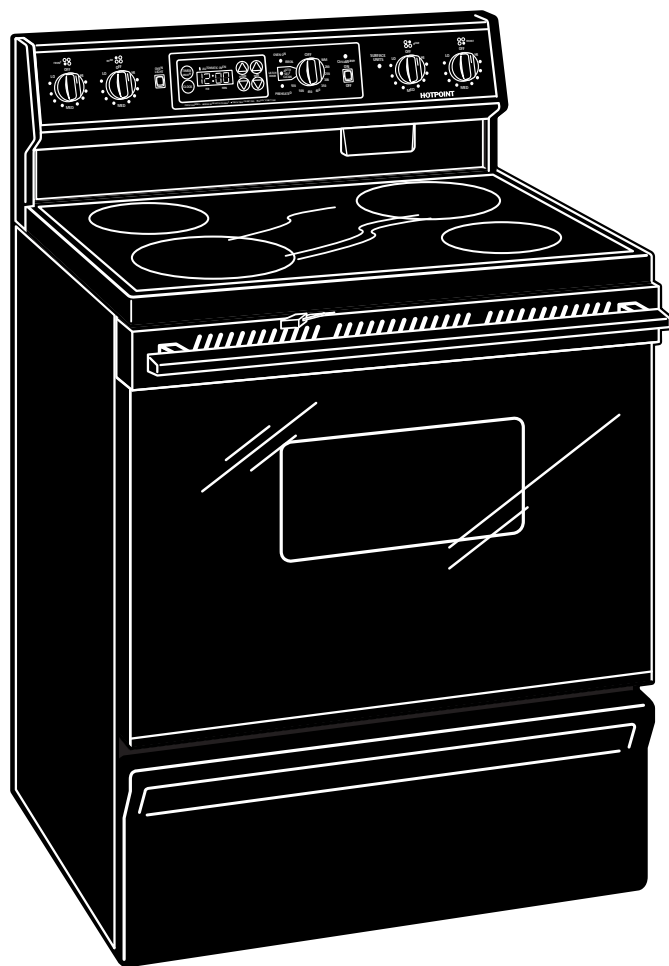
All Hotpoint ranges are equipped with an Anti-Tip device. The installation of this device is an important, required step in the installation of the range.



Listed by
Underwriters
Laboratories

HOTPOINT

RB797BBBB - Hotpoint 30" Free-Standing Self-Clean Electric Convection Oven



Features and Benefits

- Manual Convection Self-Cleaning Oven
- Glass-Ceramic Cooktop with Grey Patterned Glass
- Two 8" and Two 6" Ribbon Heating Elements
- Auto Self-Clean with Variable Cleaning Time
- QuickSet III Electronic Oven Controls
- Manual Convection Bake and Roast
- Electronic Digital Clock and Minute Timer
- Time Bake with Delay Option
- Automatic Oven Timer
- 2 Oven Shelves
- Infinite Heat Controls
- Auto Oven Shut-Off
- Audible Preheat Signal with Light
- Heating Element "On" Indicator Light
- Hot Surface Indicator Lights
- High-Exhaust, Two-Speed Fan
- Porcelain-Enameled Broiler Pan with Chrome-Plated Grid
- Interior Oven Light
- Frameless Lift-Off Glass Oven Door with Window
- Color-Matched Removable Full-Width Storage Drawer
- Visor-Style Handle
- Model RB797WBWW - White on white
- Model RB797BBBB - Black on black
- Model RB797ABAA - Almond on almond