



INSTALLATION INSTRUCTIONS

Advantium® Built-In Microwave Oven 120V 27"



P/No.: MFL59060951_00

Installation Instructions

BEFORE YOU BEGIN

Read these instructions completely and carefully.

IMPORTANT — Save these instructions for local inspector's use.

IMPORTANT — Observe all governing codes and ordinances.

- **Note to Installer** — Be sure to leave these instructions with the Consumer.
- **Note to Consumer** — Keep these instructions with your Owner's Manual for future reference.
- **Skill Level** — Installation of this appliance requires basic mechanical and electrical skills.
- **Completion Time — 1 Hour.**
- Proper installation is the responsibility of the installer. Product failure due to improper installation is not covered under the warranty. See Owner's Manual for warranty information.

IMPORTANT — Use this oven only for its intended purpose. Never use the oven for warming or heating a room. Prolonged use of the oven without proper ventilation can be hazardous.

⚠ CAUTION For personal safety, remove house fuse or oven circuit breaker before beginning installation to avoid severe or fatal shock injury.

⚠ CAUTION For personal safety, the mounting surface must be capable of supporting the cabinet load, in addition to the added weight of the oven and drawer, plus additional oven loads.

CONTENTS

Design Information

Models Available	2
Product Dimensions and Clearances	3
Tools and Parts Required	3

Installation Preparation

Electrical Requirements	4
Grounding Instructions	4
Preparing the Opening (Standard)	5
Preparing the Opening (Flush Mount)	9

Installation Instructions

Step 1, Remove Packaging and Parts	11
Step 2, Slide Oven Into Cutout	12
Step 3, Install Bottom Trim	12
Step 4, Install Mounting Screws	12
Step 5, Finalize Installation	12

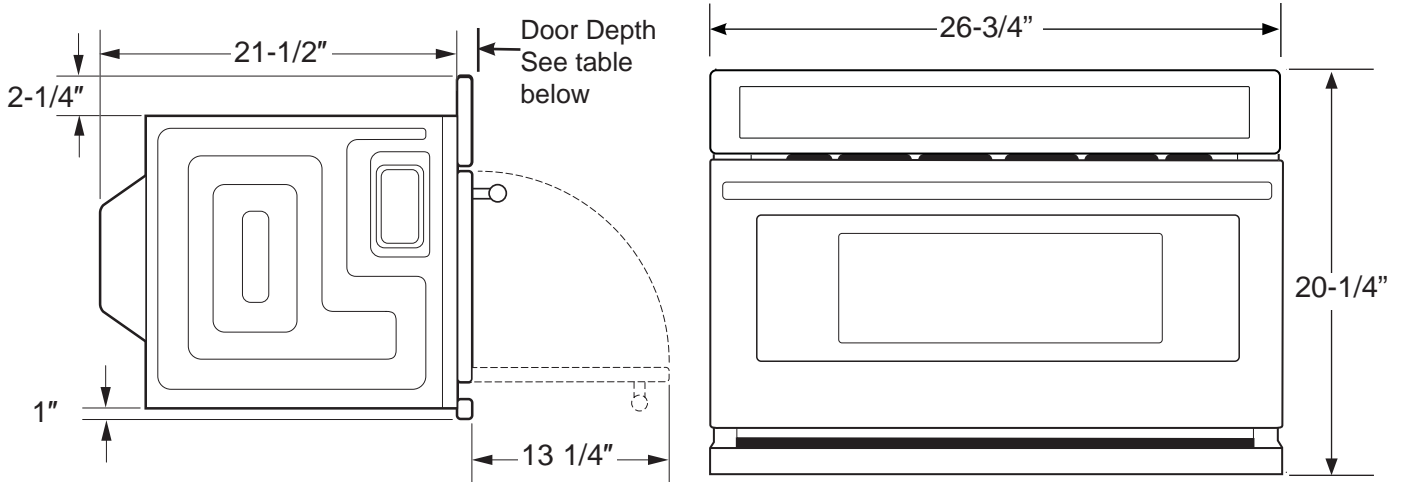
MODELS AVAILABLE

ZSB9121NSS – Stainless Steel

ZSB9122VSS – Stainless Steel

Design Information

PRODUCT DIMENSIONS AND CLEARANCES



Model	Door Depth
ZSB9121NSS	1-3/8"

TOOLS AND PARTS REQUIRED (NOT SUPPLIED)

- #2 Phillips screwdriver
- Hand-held drill
- High speed drill bit, 3/32" diameter
- 3/8" slot-head screwdriver
- Level
- Saw
- 3/8" slot-head screwdriver
- Wood screws or other hardware for installing runner or shelf to support oven (if required)
- Safety glasses or goggles

FLUSH MOUNT INSTALLATION

This installation method allows for the unit face to be inline with the cabinet face.

IMPORTANT: HIGH SKILL LEVEL IN CARPENTRY IS REQUIRED. Non-standard cabinetry may be required.

Flush installation of the oven will lead to the exposure of the cabinet face frame edges.

Side cleats may be visible and should be a finished surface.

ADVANCE PLANNING

- These ovens may be installed directly into a 27" wide oven cabinet with standard installation.
- Cutout height dimensions are different for installations with an accessory storage drawer. Make sure to use the correct cutout when preparing the opening.
- Allow for clearance to adjacent corners, walls, drawers, etc.

The oven must be securely installed in a cabinet that is firmly attached to the house structure. Weight on the oven door could cause the oven to tip and result in injury. Never allow anyone to climb, sit, stand or hang on the oven door.

Installation Preparation

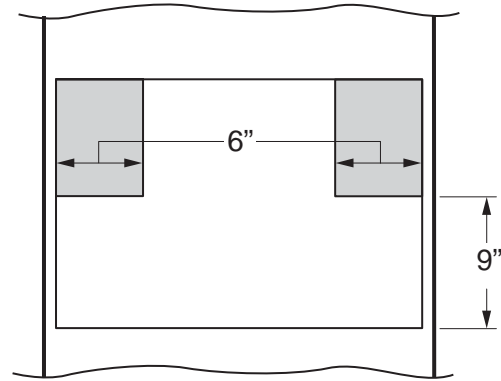
ELECTRICAL REQUIREMENTS

Single Advantium Built-In Oven Installation:

This product requires a 120-volt, 60 Hz, 15-amp circuit and draws 1.8 kilowatts. This product must be connected to a supply circuit of the proper voltage and frequency.

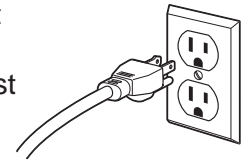
- Wire size must conform to the requirements of the National Electrical Code or the prevailing local code for this kilowatt rating.
- The power supply cord and plug should be brought to a separate 15 or 20 ampere branch circuit single grounded receptacle. The outlet box should be located within reach of the 48" power cord.

ELECTRICAL LOCATION



Locate outlet box in the shaded area

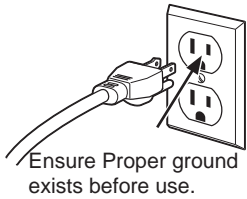
Install a recessed electrical outlet in the back wall of the opening within 6" of either side and at least 9" above the cutout floor.



GROUNDING INSTRUCTIONS

⚠ WARNING

Improper use of the grounding plug can result in a risk of electric shock.



This appliance must be grounded. In the event of an electrical short circuit, grounding reduces the risk of electric shock by providing an escape wire for the electric current.

This appliance is equipped with a power cord having a grounding wire with a grounding plug. The plug must be plugged into an outlet that is properly installed and grounded.

Consult a qualified electrician or service technician if the **GROUNDING INSTRUCTIONS** are not completely understood, or if doubt exists as to whether the appliance is properly grounded.

If the outlet is a standard 2-prong wall outlet, it is your personal responsibility and obligation to have it replaced with a properly grounded 3-prong wall outlet.

Do not under any circumstances cut or remove the third (ground) prong from the power cord.

A short power-supply cord is provided to reduce risks resulting from becoming entangled or tripping over a longer cord.

Do not use an extension cord. If the power cord is too short, have a qualified electrician or service technician install an outlet near the appliance.

For best operation, plug this appliance into its own electrical outlet to prevent flickering of lights, blowing of fuse or tripping of circuit breaker.

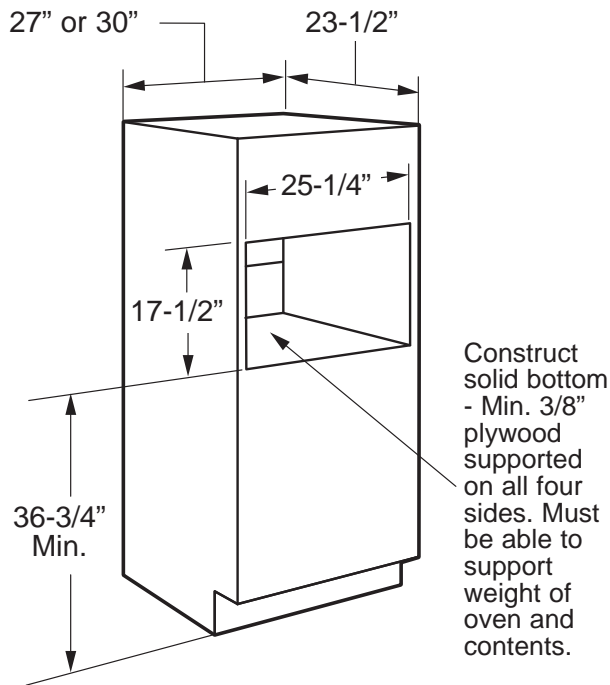
Standard Installation Preparation

PREPARE THE OPENING

The Advantium Built-In Oven can be installed in combination with other Monogram Built-In appliances. Always follow each product's Installation Instructions to complete the installation.

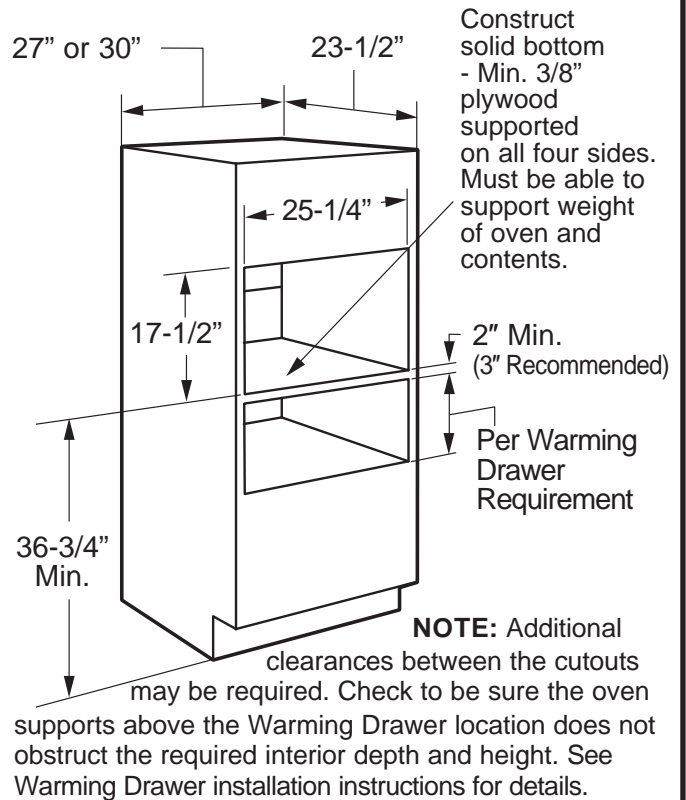
Single Advantium Built-In Oven Installation:

Order a 27" or 30" wide single oven cabinet or cut the opening in a wall to the dimensions shown.



- Allow the following clearances around the cutout on the front surface of the cabinet : 1-7/8" from the top, 7/8" from the side edges, and 1-1/8" from the bottom.
(Note: these refer to minimum clearances required for installation and do not reflect actual product dimensions.)
- Oven overlaps will conceal cut edges on all sides of the opening.
When installed over a single oven or a warming drawer, allow at least 2" between the two openings. This separation will provide clearance for bottom overlap of the Advantium 120 and the other appliance overlaps.
- The support must be level and rigidly mounted, flush with the bottom edge of the cutout.

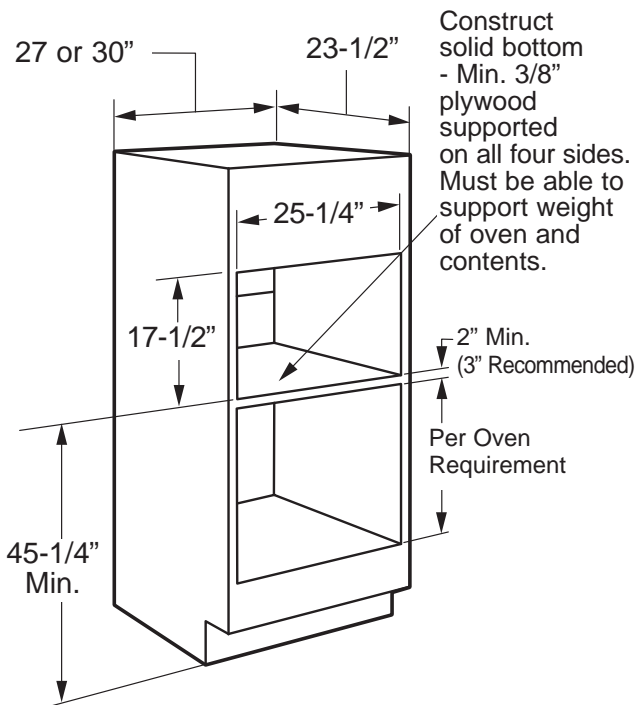
PREPARE THE OPENING (CONT.) Installation over a Warming Drawer:



Standard Installation Preparation

PREPARE THE OPENING (CONT.)

Installation over a Wall Oven:

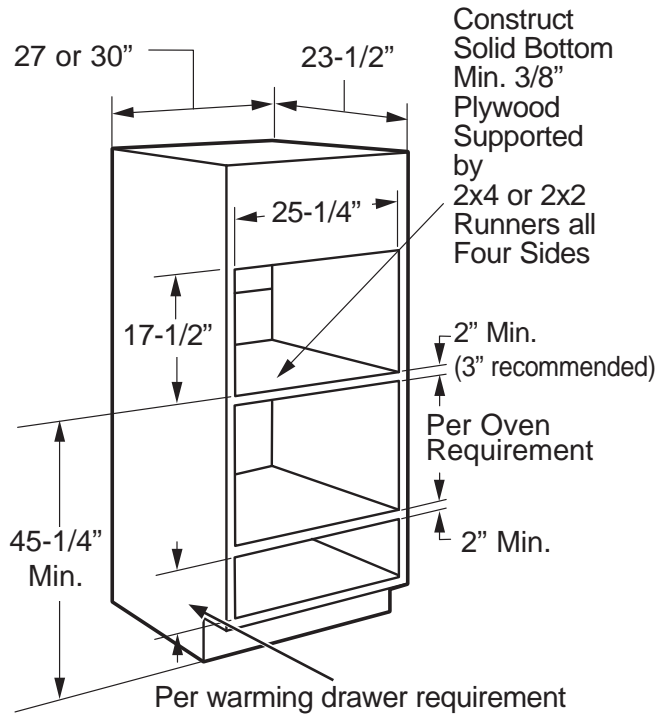


Construct solid bottom - Min. 3/8" plywood supported on all four sides. Must be able to support weight of oven and contents.

- If you are replacing an electric double oven with the combined installation of an Advantium Built-In Oven and a single oven, use the dimensions shown. The middle rail separating the two openings may need to be larger than the 2" minimum shown.

PREPARE THE OPENING (CONT.)

Installation over a Wall Oven and Warming Drawer:



Construct Solid Bottom Min. 3/8" Plywood Supported by 2x4 or 2x2 Runners all Four Sides

NOTE: Additional clearances between the cutouts may be required. Check to be sure the oven supports above the Warming Drawer location does not obstruct the required interior depth and height. See Warming Drawer installation instructions for details.

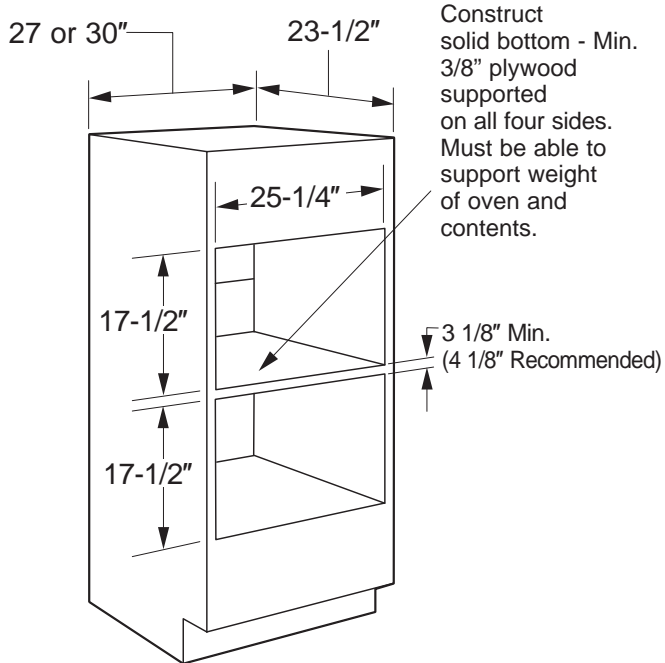
CAUTION

For personal safety, the mounting surface must be capable of supporting the cabinet load, in addition to the added weight of the oven and drawer, plus additional oven loads.

Standard Installation Preparation

PREPARE THE OPENING (CONT.)

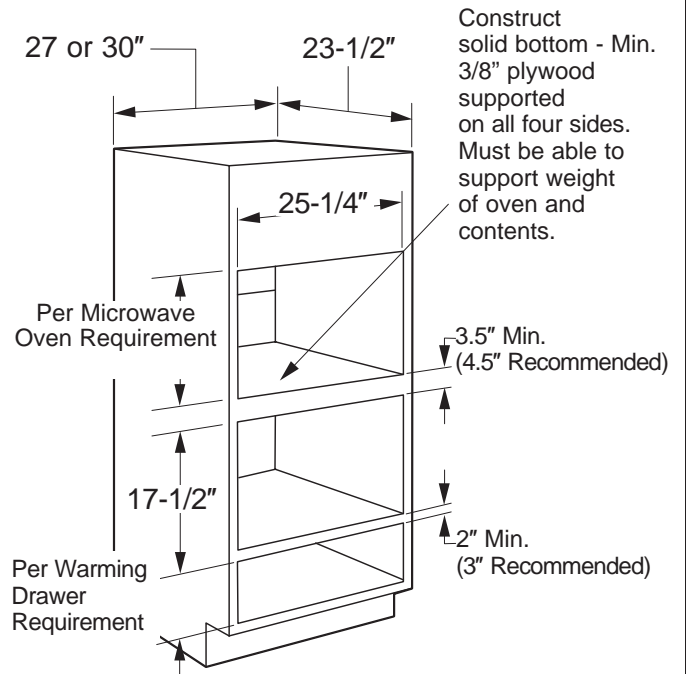
Installation over another Advantium Built-In Oven:



- If you are mounting a Built-In Advantium Oven over another, use the dimensions shown. The middle rail separating the two openings may need to be larger than the 3-1/8" minimum shown.

PREPARE THE OPENING (CONT.)

Installation under a Microwave Oven and over a Warming Drawer:



NOTE: Additional clearances between the cutouts may be required. Check to be sure the oven supports above the Warming Drawer location do not obstruct the required interior depth and height. See Warming Drawer installation instructions for details.

CAUTION

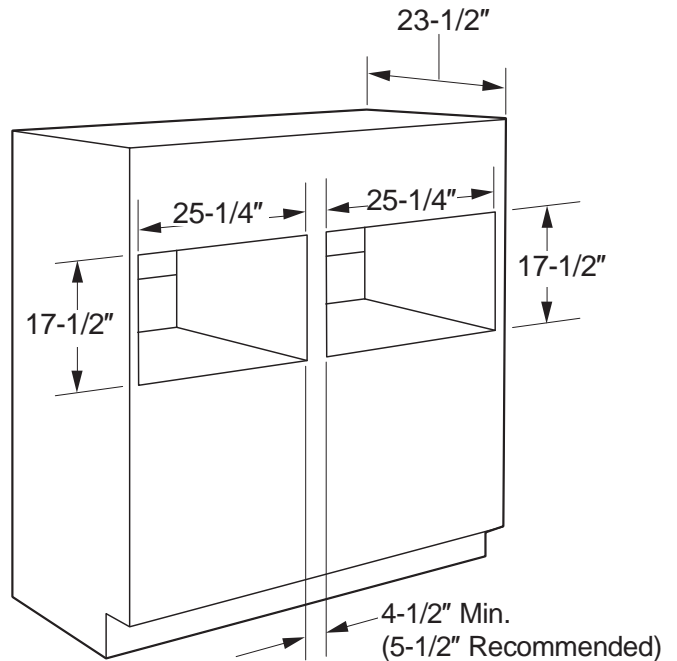
For personal safety, the mounting surface must be capable of supporting the cabinet load, in addition to the added weight of the oven and drawer, plus additional oven loads.

Standard Installation Preparation

PREPARE THE OPENING (CONT.)

Installation beside another Advantium Built-In Oven:

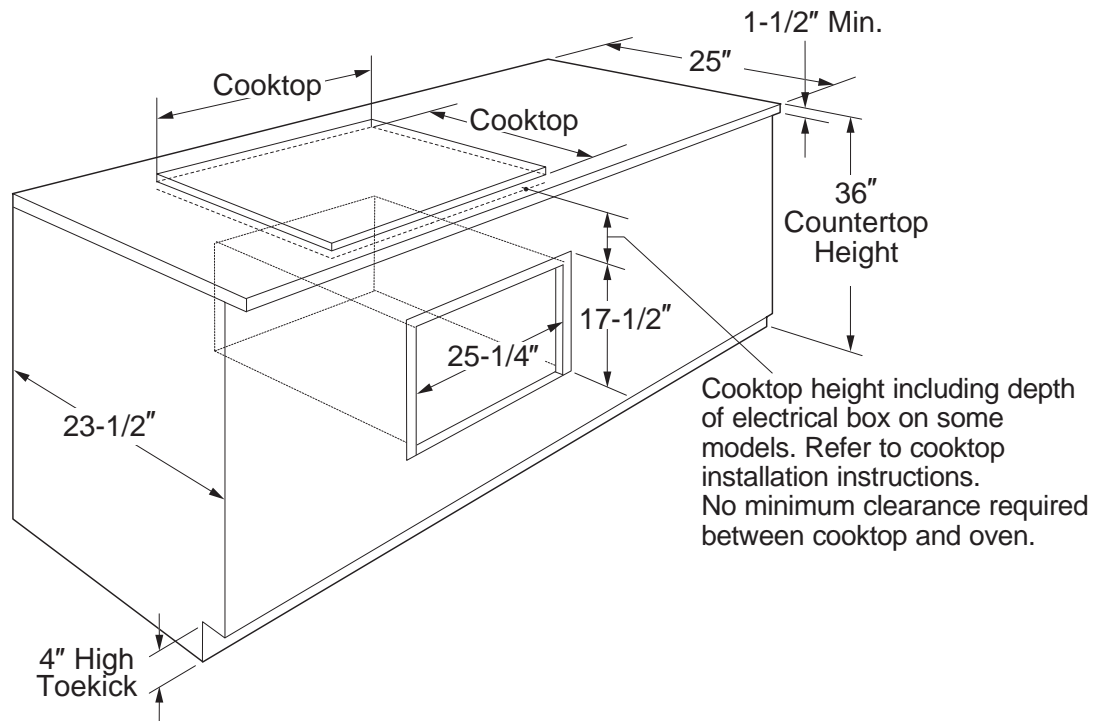
- If you are mounting an Advantium Built-In Oven beside another, use the dimensions shown. The middle rail separating the two openings may need to be larger than the 4-1/2" minimum shown.



PREPARE THE OPENING (CONT.)

Installation under a 30" or 36" Cooktop or Countertop:

Gas or electric cooktops may be installed over this oven. See cooktop installation instructions for the cutout size. See the label on top of the oven for approved cooktop models. This oven requires a separate, properly grounded 15-Amp, 120-Volt, 60Hz power supply. The cooktop requires a separate power supply. Use a 30" or wider base cabinet.



Flush Mount Installation Preparation

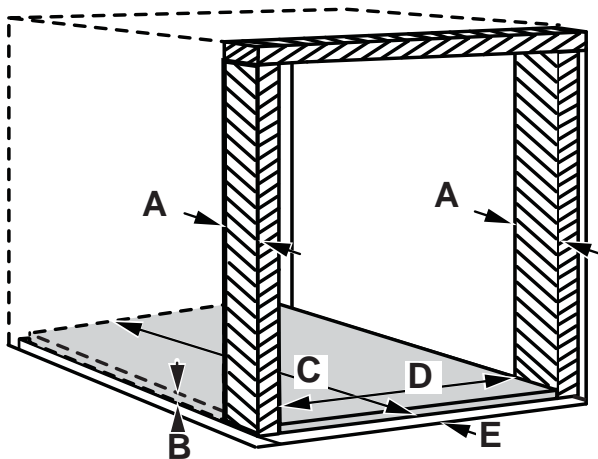
PREPARE THE INTERIOR

Cut and install side cleats:

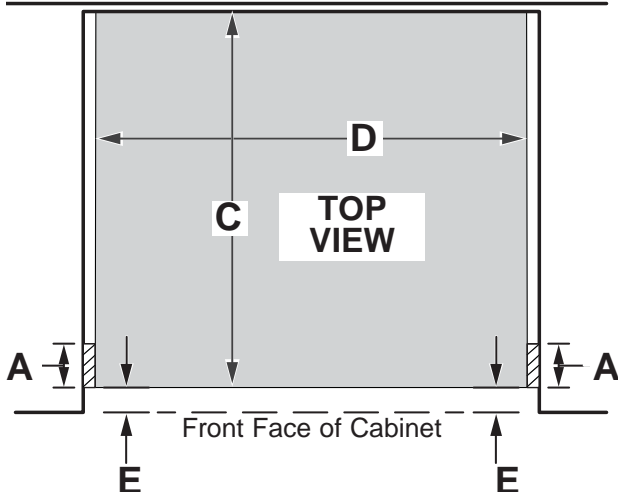
- Cut side wood cleats to height of cabinet opening and approx. 2-1/2" in depth. Install, on each side, Dim. E from the front face of the cabinet.

Cut and install bottom cleat:

- Cut bottom wood cleat to a height of 1-1/8", a depth of the cabinet **minus** Dim. E and a width of 25-1/4" to fit between side cleats. Install onto the cabinet floor between the side cleats, push it all the way back against cabinet wall and make sure its front face aligns with the front faces of the side cleats (Dim. E gap from the front cabinet face).



A	Side and top cleats depth	2-1/2" min.
B	Bottom cleat height	1-1/8"
C	Bottom cleat depth	Cabinet depth minus Dim. E
D	Bottom cleat width	25-1/4"
E	All four cleats inset depth	1-3/8" ZSB9121NSS

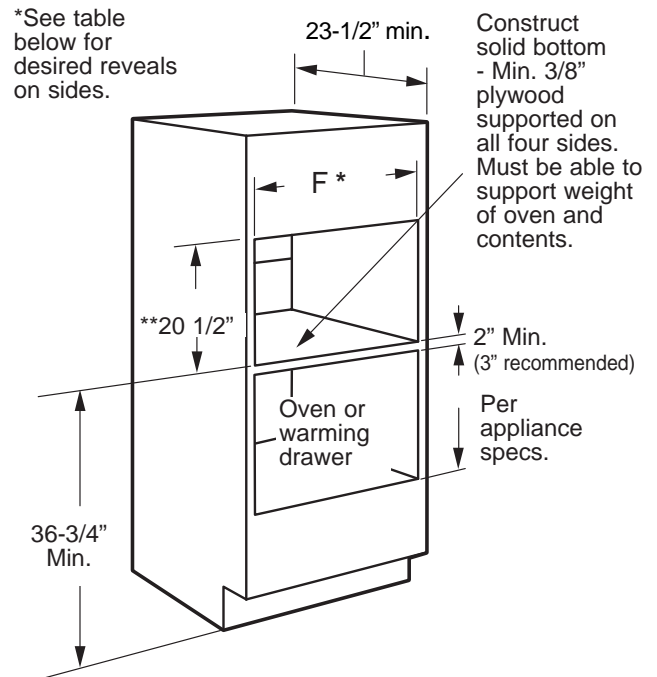


PREPARE THE OPENING

The Advantium Built-In Oven can be installed in combination with other Monogram Built-In appliances. Always follow each product's Installation Instructions to complete the installation.

Single Advantium Built-In Oven Installation:

Cut the opening in a cabinet to the dimensions shown.



- The support must be level and rigidly mounted, flush with the bottom edge of the cutout.

Approved Flush Installation	Dimension F	
	1/8" Reveal	1/4" Reveal
Single Advantium	27"	27-1/4"
Over Warming Drawer	27"	27-1/4"
Over Oven	27"	27-1/4"
Over Oven and Warming Drawer	27"	27-1/4"
Over Built-in Oven	27"	27-1/4"
Double Advantium (side by side)	See page 10	
Under Cooktop or Countertop	See page 10	

** Top and bottom reveals are set to 1/8".

Flush Mount Installation Preparation

PREPARE THE OPENING

The Advantium Built-In Oven can be installed beside another Advantium Built-In Oven in a side-by-side combination.

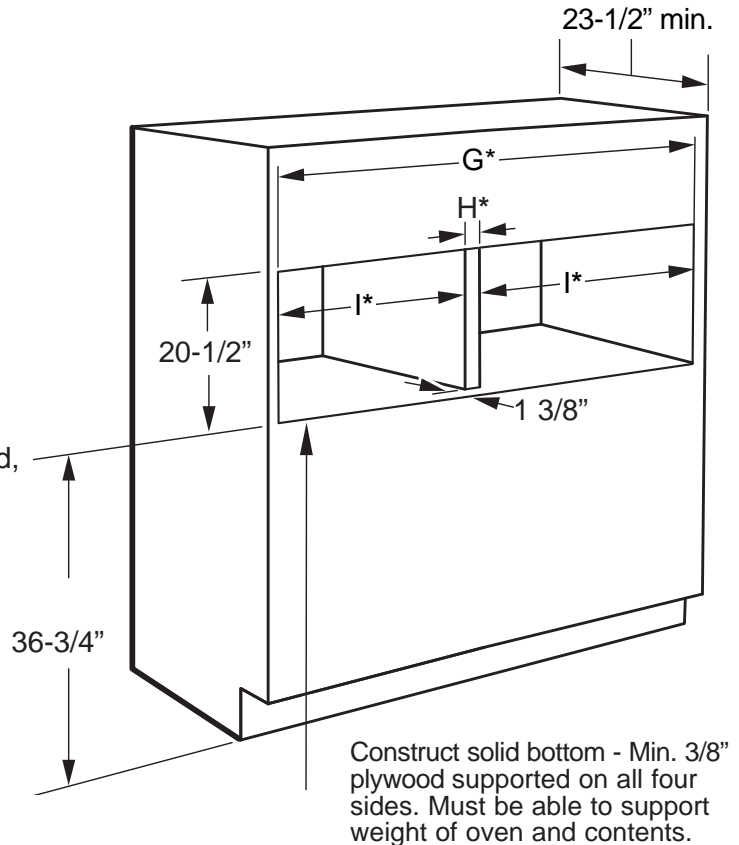
Double Advantium Built-In Oven Installation:

Cut the opening in a cabinet to the dimensions shown.

- Center divider acts as cleat for side of each respective unit. Only one additional side cleat needed per oven cutout.
- The support must be level and rigidly mounted, flush with the bottom edge of the cutout.

*See table for desired reveals on sides and between unit.

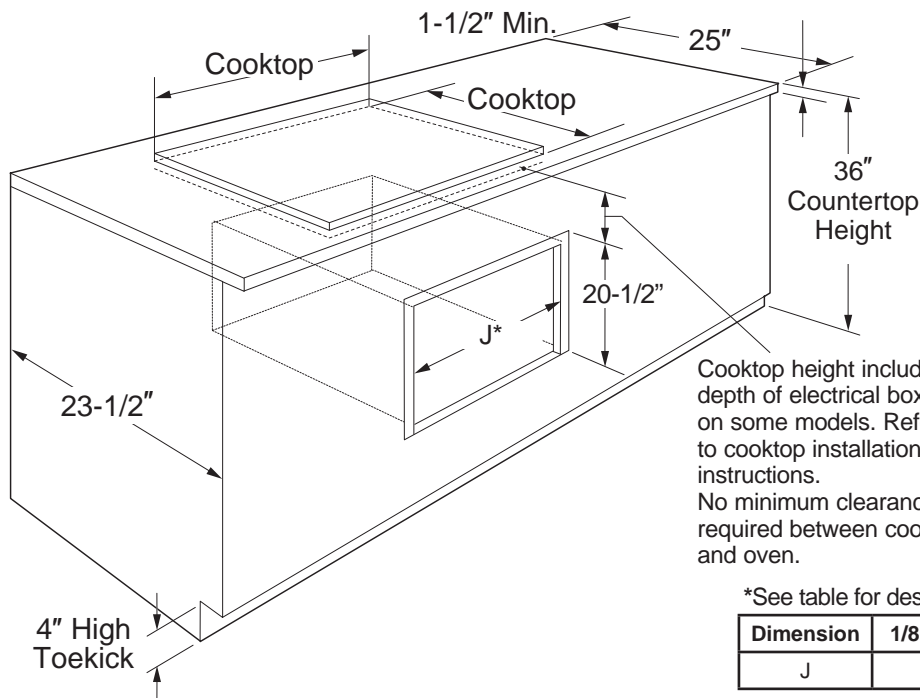
Dimension	1/8" Reveal	1/4" Reveal
G	53-7/8"	54-1/4"
H	1-5/8"	1-3/4"
I	26-1/8"	26-1/4"



PREPARE THE OPENING

Installation under a 30" or 36" Cooktop or Countertop:

Gas or electric cooktops may be installed over this oven. See cooktop installation instructions for the cutout size. See the label on top of the oven for approved cooktop models. This oven requires a separate from the cooktop, properly grounded 15-Amp, 120-Volt, 60Hz power supply. Use a 30" or wider base cabinet.



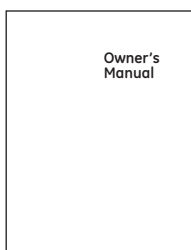
*See table for desired reveals on sides.

Dimension	1/8" Reveal	1/4" Reveal
J	27"	27-1/4"

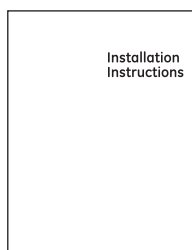
Installation Instructions

1 REMOVE THE PACKAGING AND PARTS

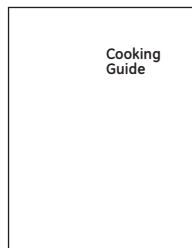
- Remove all packing material and tape.
- Locate parts package containing mounting screws.
- Remove the oven from the carton. Do not lift unit by handle or conduit. Two people are required to lift this oven.
- Open the door and remove any packaging in oven.



Owner's Manual



Installation Instructions



Cooking Guide



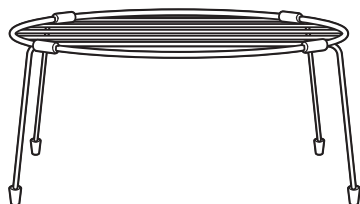
Glass Tray



Turntable Ring



Metal Trays (2)



Rack



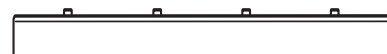
5 Color-Matched Screws
(4 required, 1 extra)



6 Brass Screws for the
Bottom Trim
(3 required, 3 extra)



Flat-Head Screws (4 extra)



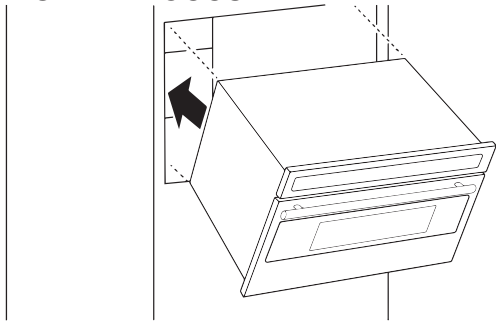
Bottom Trim

IMPORTANT: If installing the Advantium Built-In Oven with an accessory storage drawer, read the storage drawer assembly instructions to assemble the products together before proceeding to Step 2.

Installation Instructions

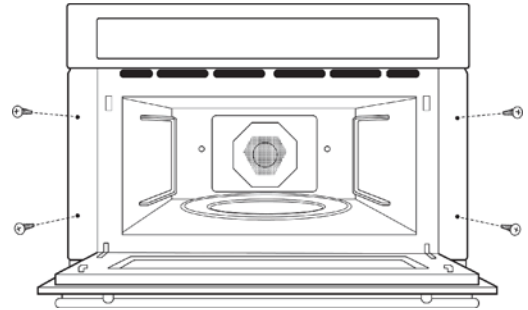
2 SLIDE OVEN INTO CUTOUT

CAUTION Two people are required to lift the oven into the opening. Grasp the bottom at the front and rear. **DO NOT USE THE HANDLE TO LIFT THE OVEN. DAMAGE WILL OCCUR!**



- Lift and hold the oven at the front of the opening. Hold the oven at a 45° angle and plug in the power cord.
- Carefully, slide the oven into the cabinet part way. Leave the oven a few inches forward of the cabinet frame.
- Check to be sure the power cord is not trapped under the oven or along the sides of the oven.

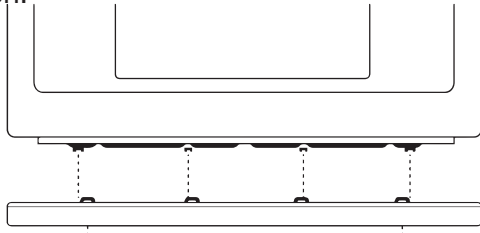
4 INSTALL MOUNTING SCREWS



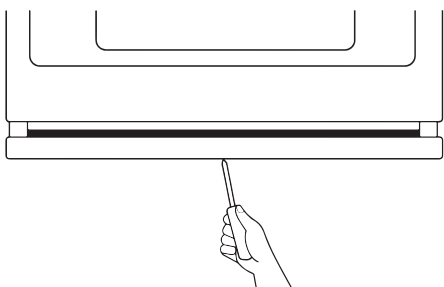
- Slide the oven the remaining way into the opening so that the side flanges and control panel are against the cabinet frame. Make sure that the oven is centered in the opening.
- Open the door, place a turntable tray in the oven and make sure that the tray in the unit is level.
- Drill pilot holes through the side flanges.
- Drive the color-matched screws into the side flanges. It is recommended that the screws be hand tightened..

3 INSTALL BOTTOM TRIM

- Align bottom trim tabs to slots in the bottom of the oven.



- Secure the bottom trim to the bottom of the oven using 3 brass screws provided.



5 FINALIZE INSTALLATION

- Turn power on at the source. The interior light should come on when the door is opened.
- Refer to the Owner's Manual for operating instructions.

Notes

31-700078 Rev. 4

06-24

Printed in China





INSTRUCCIONES DE INSTALACIÓN

Horno Microondas Empotrable Advantium® 120V 27"

ESPAÑOL



P/No.: MFL59060951_00

MONOGRAM.COM

Instrucciones de Instalación

ANTES DE COMENZAR

Lea estas instrucciones en su totalidad y atentamente.

IMPORTANTE — Conserve estas instrucciones para uso del inspector local.

IMPORTANTE — Cumpla con todos los códigos y ordenanzas gubernamentales.

- **Nota para el Instalador** — Asegúrese de que el Comprador conserve estas instrucciones.
- **Nota para el Consumidor** — Guarde estas instrucciones con su Manual del Propietario para referencia futura.
- **Nivel de habilidad** — La instalación de este electrodoméstico requiere un nivel básico de habilidades mecánicas y eléctricas.
- **Tiempo de Compleción** — 1 Hora.
- Es responsabilidad del instalador realizar una instalación adecuada. Si se producen fallas en el producto debido a una instalación inadecuada, la garantía no cubrirá las mismas. Para obtener información sobre la garantía, consulte el Manual del Propietario.

NOTA: Sólo se aprueba la instalación de este horno de acuerdo con los modelos específicos que aparecen etiquetados en esta unidad.

IMPORTANTE — Use este electrodoméstico sólo para su propósito original. Nunca use el electrodoméstico para calentar o calefaccionar una habitación. El uso prolongado del horno sin una ventilación adecuada puede ser riesgoso.

⚠ PRECAUCIÓN Para su seguridad personal, retire el fusible del hogar o el disyuntor abierto antes de comenzar la instalación, a fin de evitar lesiones graves o una descarga mortal.

⚠ PRECAUCIÓN Para su seguridad personal, la superficie de instalación deberá poder soportar la carga del gabinete, además del peso agregado del horno y el cajón, sumado esto a las cargas adicionales del horno.

CONTENIDOS

Información de Diseños

Modelos Disponibles	2
Dimensiones y Espacios de Despeje del Producto ..	3
Herramientas Necesarias.....	3
Planificación Anticipada	3

Preparación de la Instalación

Requisitos Eléctricos.....	4
Instrucciones de conexión a tierra	4
Preparación de la Abertura (Estándar)	5
Preparación de la Abertura (Montaje al Ras)	9

Instrucciones de Instalación

Paso 1	11
Paso 2	12
Paso 3	12
Paso 4	13
Paso 5	13

MODELOS DISPONIBLES

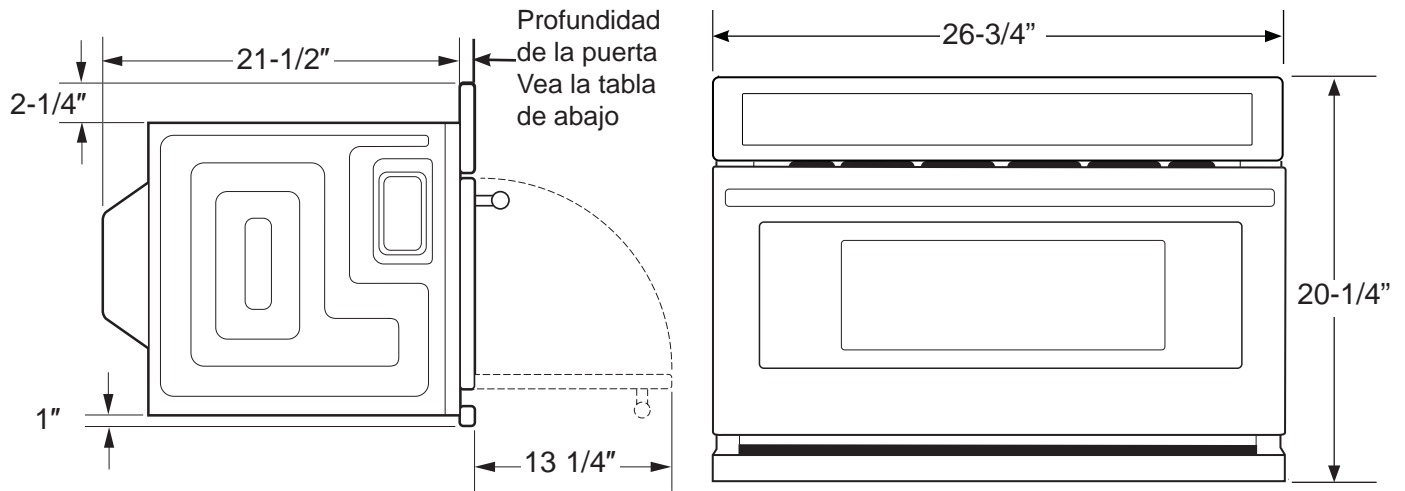
ZSB9121NSS – Acero Inoxidable

ZSB9122VSS – Acero Inoxidable

Información de Diseños

DIMENSIONES Y ESPACIOS DE DESPEJE DEL PRODUCTO

NOTA: La apariencia variará según el modelo



Model	Door Depth
ZSB9121NSS	1-3/8"

HERRAMIENTAS Y PIEZAS REQUERIDAS (NO SUMINISTRADAS)

- Destornillador Phillips nº 2
- Perforadora manual
- Taladro de alta velocidad, diámetro de 3/32"
- Destornillador con punta Phillips de 3/8"
- Nivel
- Sierra
- Contrachapado para piso de un mín. de 3/8" (si se requiere)
- Tornillos de madera y otras herramientas para instalar el riel o el estante para sostener el horno (si se requiere)
- Anteojos o gafas de seguridad

INSTALACIÓN DEL MONTAJE AL RAS (Monogram únicamente)

Este método de instalación permite que la cara de la unidad quede alineada con la cara del gabinete.

IMPORTANTE: SE REQUIERE UN NIVEL DE HABILIDAD ALTO EN CARPINTERÍA. Se podrán adquirir gabinetes no estándares.

La instalación al ras del horno hará que se expongan los extremos del marco de la cara del gabinete.

Los ristreles laterales podrán quedar visibles y deberán poseer una superficie acabada.

PLANIFICACIÓN ANTICIPADA

- Estos hornos pueden ser instalados directamente en un gabinete para horno de 30" de ancho, utilizando la instalación estándar.
- Las dimensiones de altura de la abertura son diferentes para las instalaciones con un cajón de almacenamiento de accesorios. Asegúrese de usar el recorte correcto al preparar la abertura.
- Deje espacio en relación a las esquinas adyacentes, paredes, cajones, etc.

El horno debe ser instalado de forma segura en un gabinete que esté adherido de manera firme a la estructura de la casa. Cualquier peso sobre la puerta del horno podrá hacer que éste se incline y se produzcan lesiones. Nunca permita que nadie se trepe, siente, pare ni cuelgue de la puerta del horno.

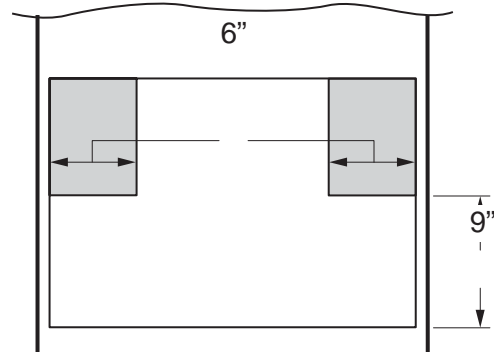
Preparación de la Instalación

REQUISITOS ELÉCTRICOS

Instalación Simple del Advantium horno empotrado

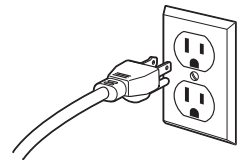
Este producto requiere un circuito de 120 voltios, 60 Hz, 15 amperes y consume 1.8 kilowatts. Este producto se debe conectar a un circuito con un suministro correcto de voltaje y frecuencia.

- El tamaño del cable deberá ser conforme a los requisitos del Código Eléctrico Nacional o del código local obligatorio con relación a la cantidad de kilowatts.
- El cable y el enchufe de suministro de corriente se deberán conectar al tomacorriente simple con conexión a tierra de un disyuntor de entre 15 y 20 amperes. La caja del tomacorriente deberá ser ubicada dentro del alcance del cable de corriente de 48".



Ubique la caja del tomacorriente en el área sombreada.

Instale un tomacorriente eléctrico empotrado en la pared trasera de la abertura, dentro de las 6" de cualquiera de los lados y a por los menos 9" sobre el piso del recorte.



INSTRUCCIONES DE CONEXIÓN A TIERRA

⚠ ADVERTENCIA

El uso inadecuado del enchufe de conexión a tierra puede provocar riesgos de descargas eléctricas.



Este electrodoméstico deberá estar conectado a tierra. En caso de que se produzca un cortocircuito, la conexión a tierra reduce el riesgo de descarga eléctrica, brindando un cable de salida de la corriente eléctrica.

Este electrodoméstico está equipado con un cable de corriente que posee un cable de conexión a tierra con un enchufe a tierra. El enchufe se deberá conectar en un tomacorriente instalado y conectado a tierra de forma adecuada.

Consulte a un electricista calificado o al personal del servicio técnico en caso de que las INSTRUCCIONES DE CONEXIÓN A TIERRA no se entiendan completamente o si tiene dudas sobre si el electrodoméstico está conectado a tierra de forma apropiada.

En caso de contar con un tomacorriente de pared estándar de 2 cables, es su responsabilidad y obligación reemplazarlo por un tomacorriente de pared de 3 cables correctamente conectado a tierra.

Bajo ninguna circunstancia corte o elimine el tercer cable (tierra) del cable de corriente.

Se brinda un cable de corriente corto para reducir riesgos que puedan resultar de enredos o tropiezos con un cable más largo.

No use un prolongador. Si el cable de corriente es demasiado corto, solicítele a un electricista o a personal del servicio técnico calificado la instalación de un tomacorriente cerca del electrodoméstico.

Para un mejor funcionamiento, conecte este electrodoméstico en su tomacorriente eléctrico a fin de evitar parpadeos de las luces, explosión del fusible o desactivación del disyuntor.

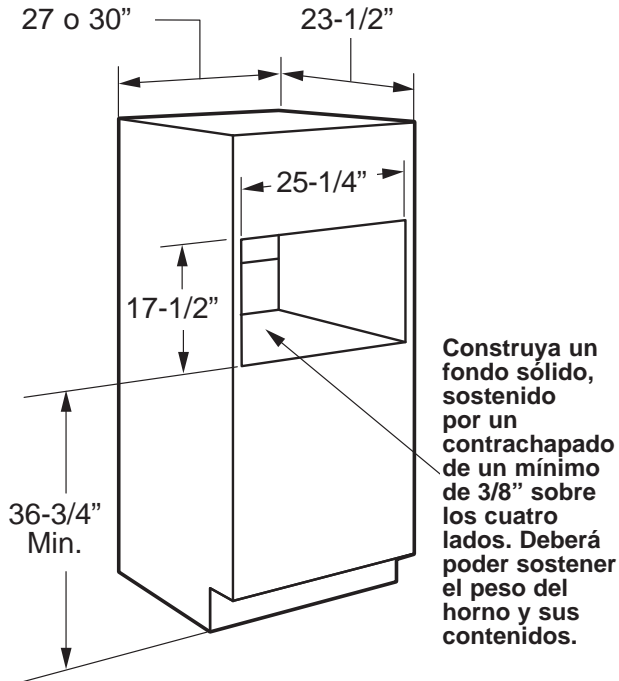
Preparación de la Instalación Estándar

PREPARACIÓN DE LA ABERTURA

El Advantium puede ser instalado junto con otros electrodomésticos de Monogram. Siempre siga las instrucciones de instalación de cada producto, a fin de completar la instalación.

Instalación Simple del Advantium

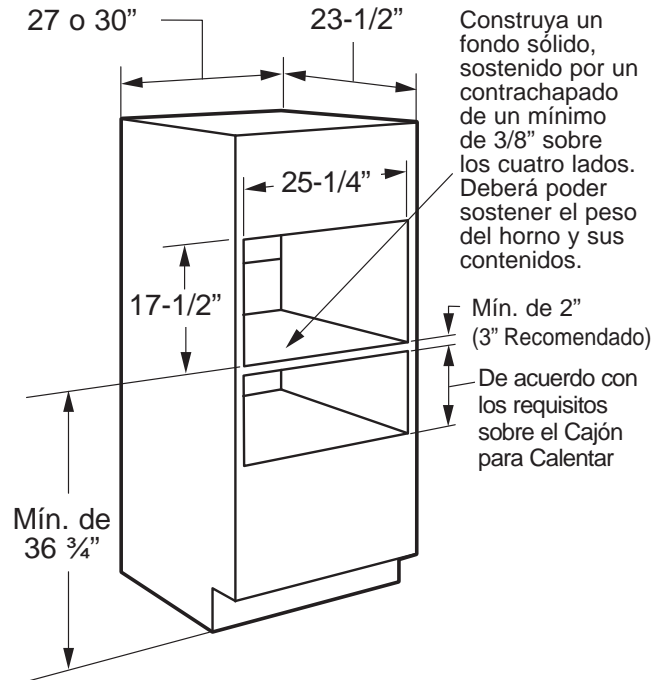
Ordene un gabinete de horno simple de 30" de ancho o recorte la abertura en una pared siguiendo las dimensiones mostradas.



- Deje los siguientes espacios libres alrededor de la abertura sobre la superficie frontal del gabinete: 1 7/8" desde la parte superior, 7/8" desde los extremos laterales, y 1 1/8" desde la parte inferior. (Nota: los mismos se refieren a los espacios libres mínimos requeridos para la instalación y no reflejan las dimensiones reales del producto).
- Las superposiciones del horno ocultarán los extremos cortantes sobre todos los costados de la abertura. Cuando se instale sobre un horno simple o sobre un cajón para calentar, deje por lo menos 2" entre las dos aberturas. Esta separación brindará espacio entre la superposición inferior del Advantium y las superposiciones de los demás electrodomésticos.
- El soporte debe estar nivelado y montado de forma rígida, al ras con el extremo inferior de la abertura.

PREPARACIÓN DE LA ABERTURA (CONT.)

Instalación sobre un Cajón para Calentar:

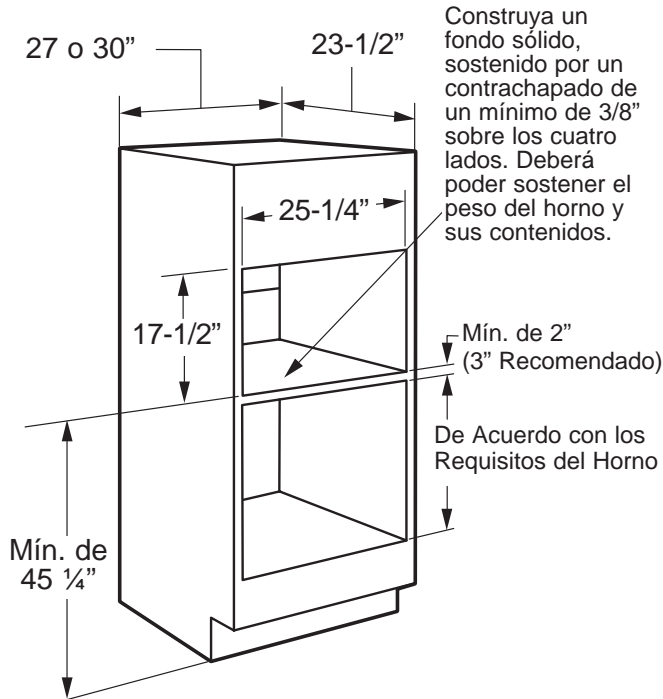


NOTA: Se podrán requerir despejes adicionales entre los recortes. Asegúrese de que los soportes del horno sobre la ubicación del Cajón para Calentar no obstruyan la profundidad y altura internas requeridas. Para más detalles, consulte las instrucciones de instalación del Cajón para Calentar.

Preparación para la Instalación Estándar

PREPARACIÓN DE LA ABERTURA (CONT.)

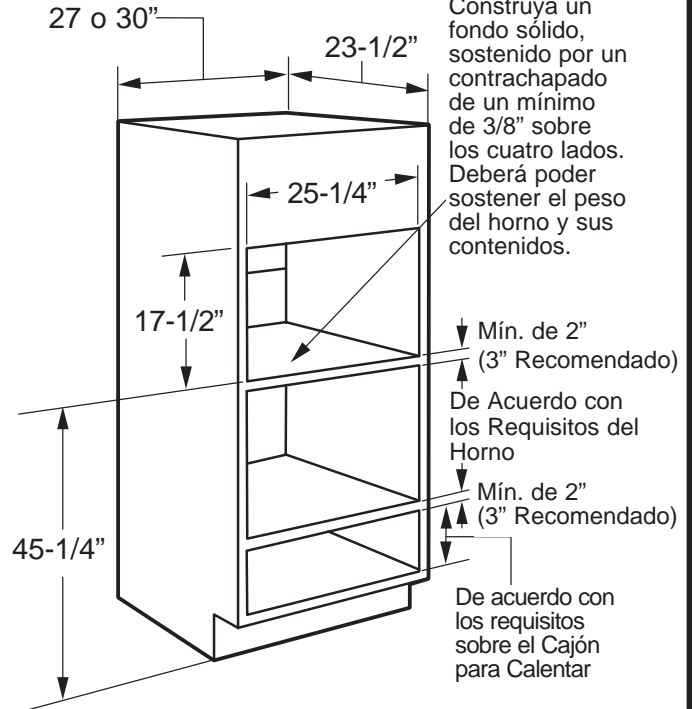
Instalación sobre un horno de pared:



*Si reemplazará un horno eléctrico doble por la instalación combinada de un Advantium y un horno simple, use las dimensiones mostradas. Es posible que el riel intermedio que separa las dos aberturas deba ser más largo que el de un mínimo de 2" mostrado.

PREPARACIÓN DE LA ABERTURA (CONT.)

Instalación sobre un horno de pared y un cajón calentador:



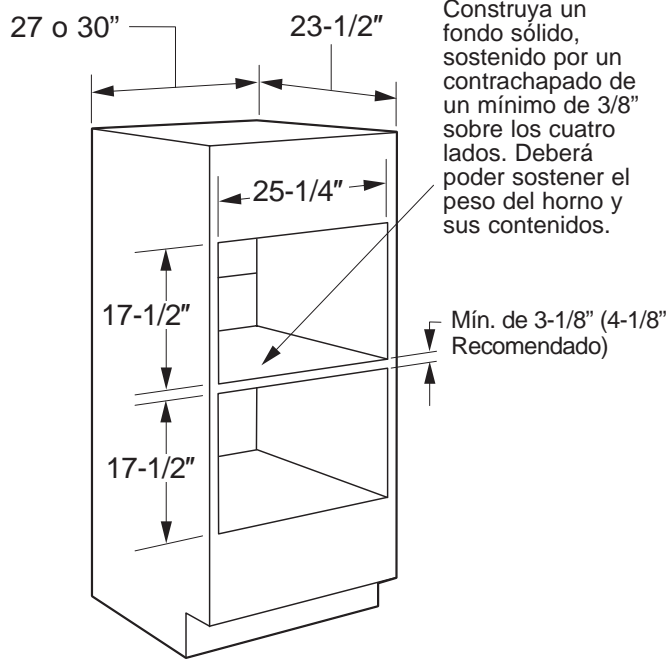
NOTA: Se podrán requerir despejes adicionales entre los recortes. Asegúrese de que los soportes del horno sobre la ubicación del Cajón para Calentar no obstruyan la profundidad y altura internas requeridas. Para más detalles, consulte las instrucciones de instalación del Cajón para Calentar.

⚠ PRECAUCIÓN Para su seguridad personal, la superficie de instalación deberá poder soportar la carga del gabinete, además del peso agregado del horno y el cajón, sumado esto a las cargas adicionales del horno.

Preparación para la Instalación Estándar

PREPARACIÓN DE LA ABERTURA (cont.)

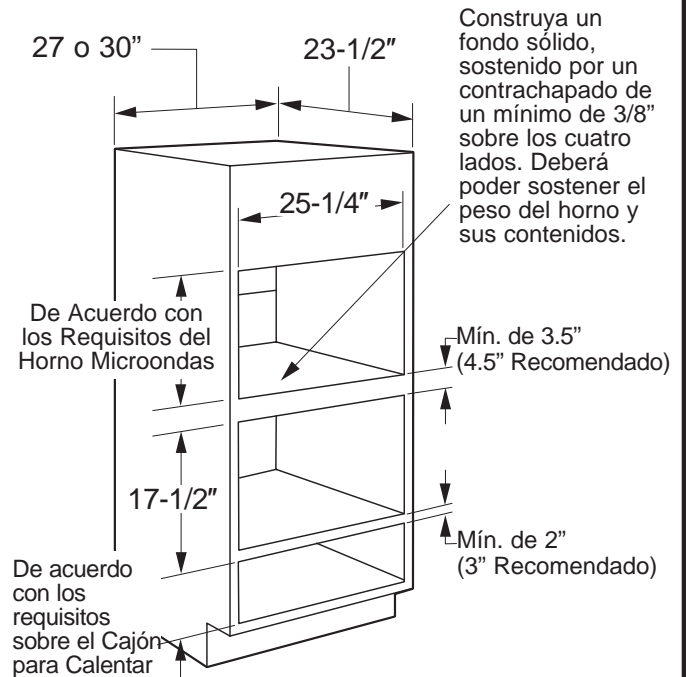
Instalación sobre otro horno incorporado Advantium:



- Si montará un horno de Velocidad de Cocción Incorporado sobre otro, use las dimensiones mostradas. Es posible que el riel intermedio que separa las dos aberturas deba ser más largo que el de un mínimo de 3-1/8" mostrado.

PREPARACIÓN DE LA ABERTURA (cont.)

Instalación debajo de un horno de microondas y sobre un cajón calentador:



NOTA: Se podrán requerir despejes adicionales entre los recortes. Asegúrese de que los soportes del horno sobre la ubicación del Cajón para Calentar no obstruyan la profundidad y altura internas requeridas. Para más detalles, consulte las instrucciones de instalación del Cajón para Calentar.

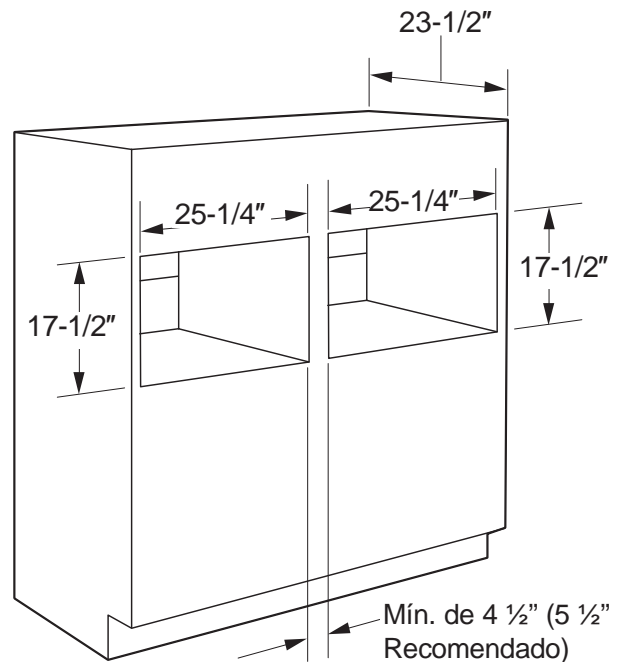
⚠ PRECAUCIÓN Para su seguridad personal, la superficie de instalación deberá poder soportar la carga del gabinete, además del peso agregado del horno y el cajón, sumado esto a las cargas adicionales del horno.

Preparación para la Instalación Estándar

PREPARACIÓN DE LA ABERTURA (cont.)

Instalación al lado de otro horno incorporado Advantium:

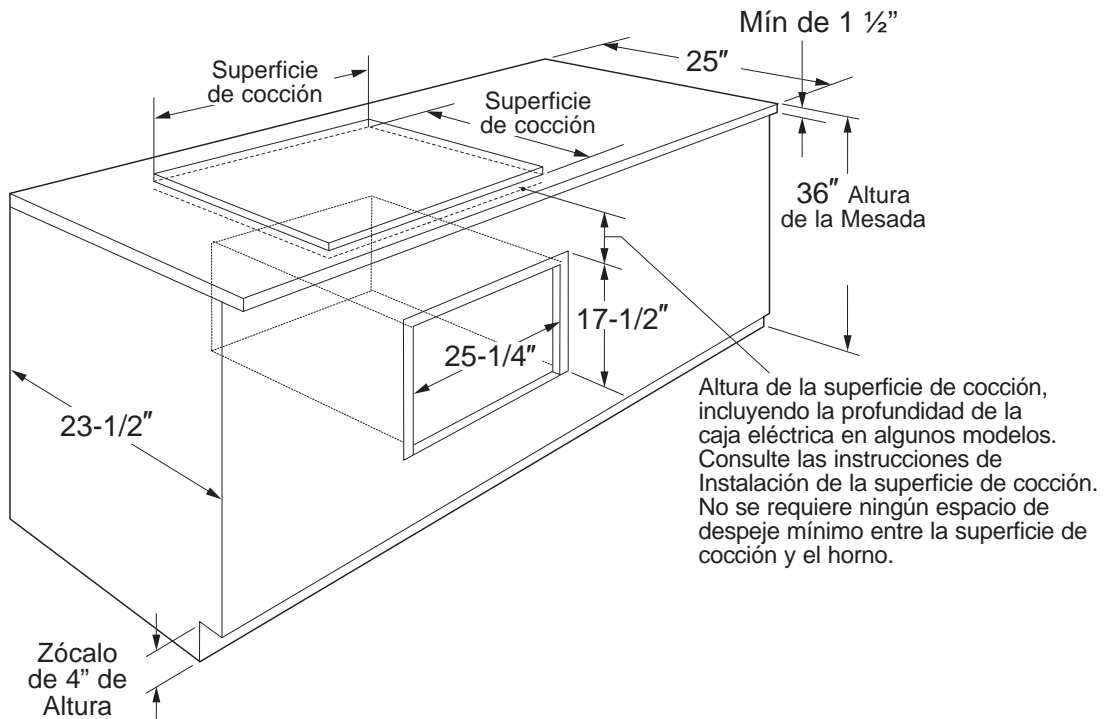
- Si montará un horno de Velocidad de Cocción Incorporado junto a otro, use las dimensiones mostradas. Es posible que el riel intermedio que separa las dos aberturas deba ser más largo que el de un mínimo de 4 ½" mostrado.



PREPARACIÓN DE LA ABERTURA (cont.)

Instalación debajo de un Cocción o Mesada de 30" o 36":

Las superficies de cocción a gas o eléctricas podrán ser instaladas sobre este horno. Para conocer el tamaño de la abertura, consulte las instrucciones de instalación de la superficie de cocción. Consulte la etiqueta en la parte superior del horno para conocer los modelos con superficie de cocción aprobados. Este horno requiere un suministro de corriente aparte, adecuadamente conectado a tierra de 15 amperes, 120 voltios y 60 Hz. La superficie de cocción requiere un suministro de corriente aparte. Use un gabinete de 30" o con una base más ancha.



Preparación de la Instalación para el Montaje al Ras (Monogram Únicamente)

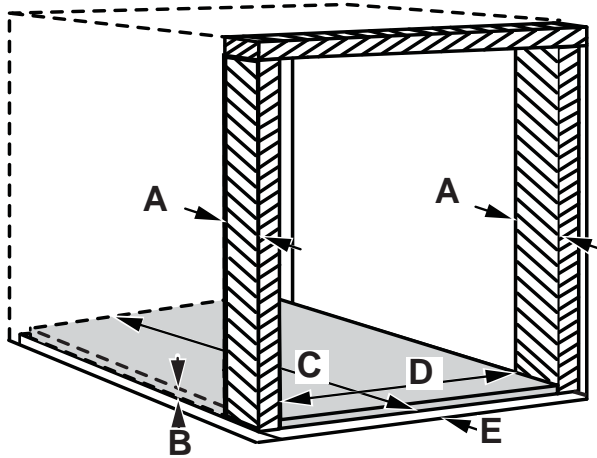
PREPARE EL INTERIOR

Corte e instale los ristreles laterales:

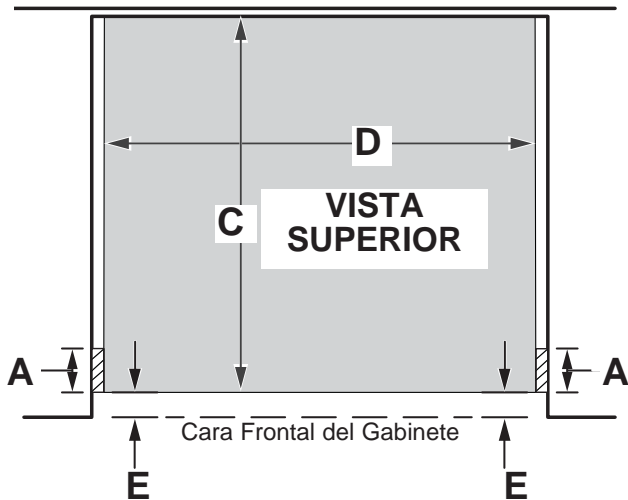
- Corte los ristreles de madera laterales a la altura de la abertura del gabinete y a aproximadamente 2 1/2" de profundidad. Instale, a cada lado, a Dim. E desde la cara frontal del gabinete.

Corte e instale el ristel inferior:

- Corte el ristel de madera a una altura de 1 1/8", una profundidad del gabinete menos Dim. E y un ancho de 25 1/4" para que coincida entre los ristreles laterales. Instale en el piso del gabinete entre los ristreles laterales, persione el mismo completamente hacia atrás contra la pared del gabinete y asegúrese de que su cara frontal se alinee con las caras frontales de los ristreles laterales (brecha de Dim. E desde la cara frontal del gabinete).



A	Profundidad de tacos laterales y superiores	Mín. de 2 1/2"
B	Altura del ristel inferior	1-1/8"
C	Profundidad del ristel inferior	Profundidad del gabinete menos Dim. E
D	Ancho del ristel inferior	25-1/4"
E	Los cuatro ristreles	1-3/8" ZSB9121NSS



PREPARACIÓN DE LA ABERTURA

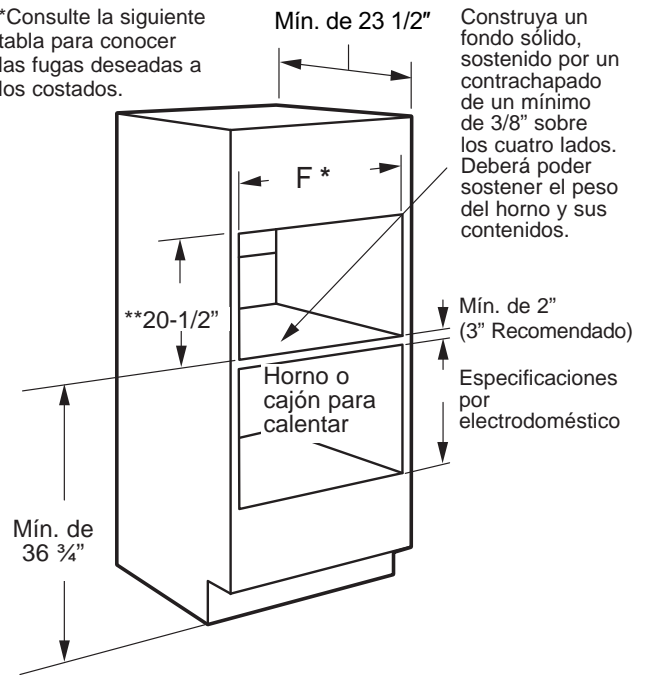
El Advantium 120 puede ser instalado junto con otros electrodomésticos de Monogram. Siempre siga las instrucciones de instalación de cada producto, a fin de completar la instalación.

Instalación Simple de Advantium 120

Corte la abertura en un gabinete siguiendo las dimensiones mostradas.

- El soporte debe estar nivelado y montado de forma

*Consulte la siguiente tabla para conocer las fugas deseadas a los costados.



rígida, al ras con el extremo inferior de la abertura.

Instalación al Ras Aprobada	Dimensión F	
	Fuga de 1/8"	Fuga de 1/4"
Advantium Simple	27"	27-1/4"
Sobre el Cajón para Calentar	27"	27-1/4"
Sobre el Horno	27"	27-1/4"
Sobre el Horno y el Cajón para Calentar	27"	27-1/4"
Sobre el Horno con Velocidad de Cocción Incorporada	27"	27-1/4"
Advantium Doble (lado a lado)	Lea la página 10	
Debajo de la Superficie de Cocción o de la Mesada	Lea la página 10	

** Las fugas superior e inferior están configuradas en 1/8".

Preparación de la Instalación para el Montaje al Ras (Monogram Únicamente)

PREPARACIÓN DE LA ABERTURA

El Advantium puede ser instalado junto a otro Advantium combinando uno al lado del otro.

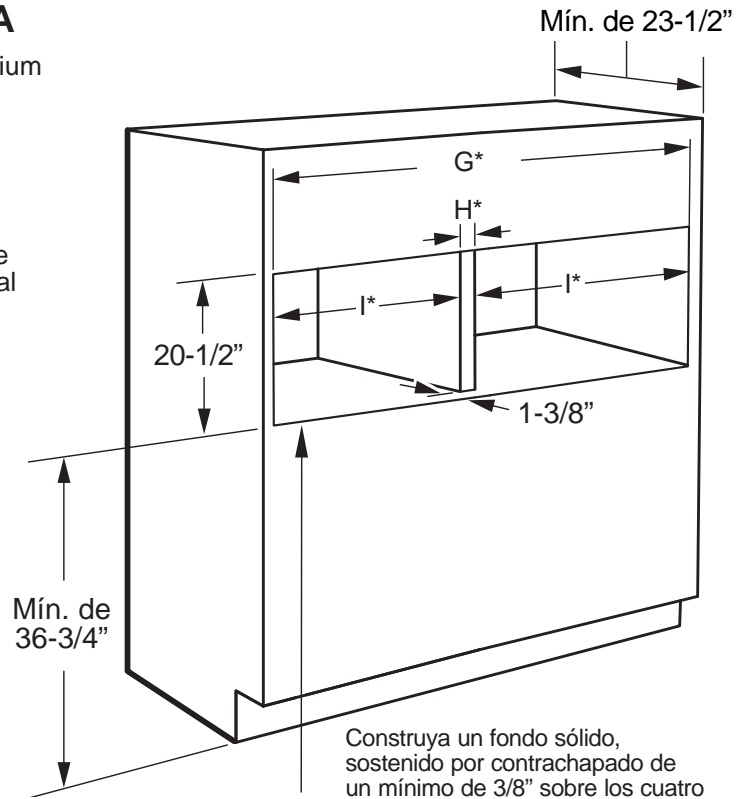
Instalación del Advantium Doble:

Corte la abertura en un gabinete siguiendo las dimensiones mostradas.

- El divisor central actúa como un rístril para el lado de cada unidad respectiva. Sólo un rístril lateral adicional es necesario de acuerdo con la abertura del horno.
- El soporte debe estar nivelado y montado de forma rígida, al ras con el extremo inferior de la abertura.

*Consulte la tabla para conocer las fugas necesarias a los costados y entre la unidad.

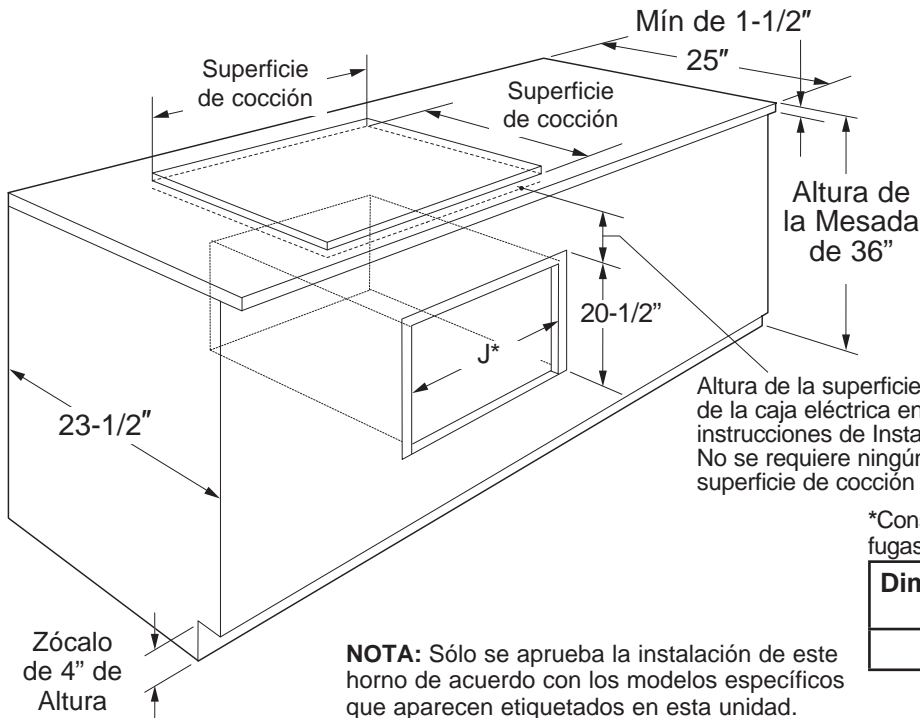
Dimensión	Fuga de 1/8"	Fuga de 1/4"
G	53-7/8"	54-1/4"
H	1-5/8"	1-3/4"
I	26-1/8"	26-1/4"



Construya un fondo sólido, sostenido por contrachapado de un mínimo de 3/8" sobre los cuatro lados. Deberá poder sostener el peso del horno y sus contenidos.

Instalación debajo de un Cocción o Mesada de 30" o 36":

Las superficies de cocción a gas o eléctricas podrán ser instaladas sobre este horno. Para conocer el tamaño de la abertura, consulte las instrucciones de instalación de la superficie de cocción. Consulte la etiqueta en la parte superior del horno para conocer los modelos con superficie de cocción aprobados. Este horno requiere un suministro de corriente aparte, adecuadamente conectado a tierra de 15 amperes, 120 voltios y 60 Hz. Use un gabinete de 30" o con una base más ancha.



Altura de la superficie de cocción, incluyendo la profundidad de la caja eléctrica en algunos modelos. Consulte las instrucciones de Instalación de la superficie de cocción. No se requiere ningún espacio de despeje mínimo entre la superficie de cocción y el horno.

*Consulte la siguiente tabla para conocer las fugas deseadas a los costados.

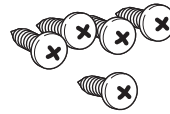
Dimensión	Fuga de 1/8"	Fuga de 1/4"
J	27"	27-1/4"

NOTA: Sólo se aprueba la instalación de este horno de acuerdo con los modelos específicos que aparecen etiquetados en esta unidad.

Instrucciones de Instalación

1 RETIRE EL EMBALAJE Y LAS PIEZAS

- Retire todo el material de embalaje y la cinta.
- Ubique el paquete de piezas que contiene los tornillos de montaje.
- Retire el horno del cartón. No levante la unidad de la manija ni del conducto. Es necesario que el horno sea levantado por dos personas.
- Abra la puerta y retire cualquier embalaje que haya dentro del horno.



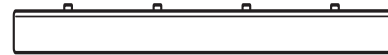
5 Tornillos del Mismo Color
(4 requeridos, 1 adicional)



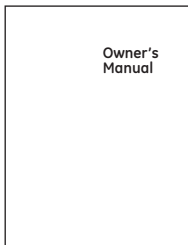
6 Tornillos de Latón para la Moldura Inferior
(3 requeridos, 3 adicionales)



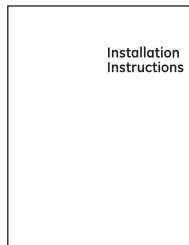
Tornillos de cabeza plana
(4 adicionales)



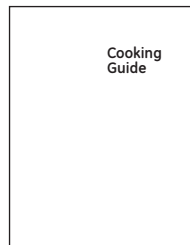
Ajuste inferior



Manual del Propietario



Instrucciones de Instalación



Guía de Cocción



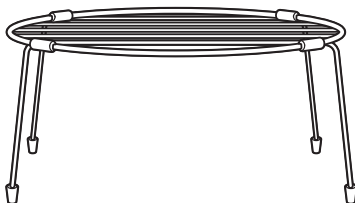
Bandeja de Vidrio



Anillo del Plato Giratorio



Bandejas de Metal (2)
(No se incluye con modelos CWB7030 y PWB7030)



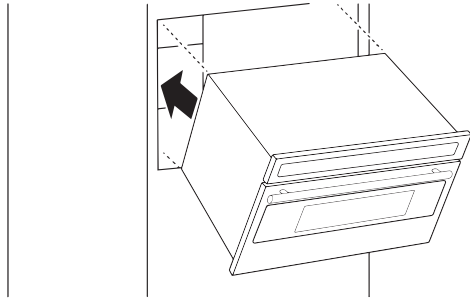
Estante

IMPORTANTE: Si instalará el Horno Advantium con un cajón de almacenamiento de accesorios, lea las instrucciones de ensamble del cajón de almacenamiento para ensamblar los productos juntos, antes de proceder a paso 2.

Instrucciones de Instalación

2 DESLICE EL HORNO POR LA ABERTURA

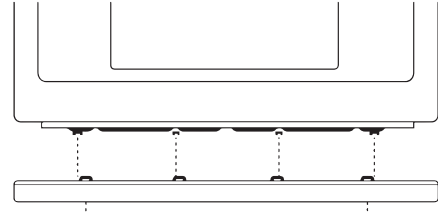
⚠PRECAUCIÓN Se requiere contar con dos personas para colocar el horno en la abertura. Se deberá tomar la parte inferior sobre la parte frontal y trasera. **NO USE LA MANIJA PARA LEVANTAR EL HORNO. SE PRODUCIRÁN DAÑOS.**



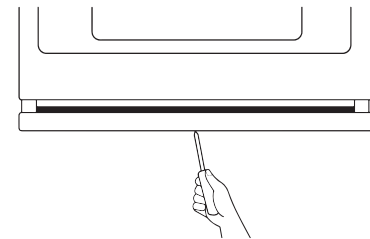
- Levante y sostenga el horno desde el frente de la abertura. Sostenga el horno en un ángulo y enchufe el cable de corriente.
- Con cuidado, deslice el horno sólo hasta una parte dentro del gabinete. Deje el horno a unas pocas pulgadas delante de la estructura del gabinete.
- Asegúrese de que el cable de corriente no quede atrapado debajo del horno ni a lo largo de los costados del horno.

3 INSTALE LA MOLDURA INFERIOR

- Alinee las lengüetas del borde inferior con las ranuras en la parte inferior del horno.

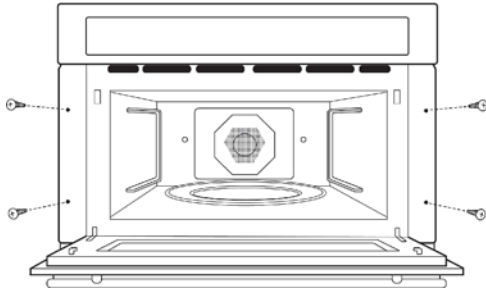


- Asegure la moldura inferior a la parte inferior del horno utilizando 3 tornillos de latón proporcionados



Instrucciones de Instalación

4 INSTALACIÓN DE LOS TORNILLOS DE MONTAJE



- Deslice el horno por el resto del recorrido hasta la abertura, de modo que las pestañas laterales y el panel de control queden contra la estructura del gabinete. Asegúrese de que el horno quede centrado en la abertura.
- Abra la puerta, coloque una bandeja giratoria en el horno y asegúrese de que la misma quede nivelada en la unidad.
- Haga agujeros piloto a través de las pestañas laterales.
- Coloque los tornillos del mismo color en las pestañas laterales. Se recomienda que los tornillos sean ajustados de forma manual.

5 FINALIZACIÓN DE LA INSTALACIÓN

- Presione el encendido. La luz interna se deberá encender cuando la puerta se abra.
- Para acceder a instrucciones de uso, consulte el Manual del Propietario.

31-700078 Rev. 4

06-24

Impreso en China

