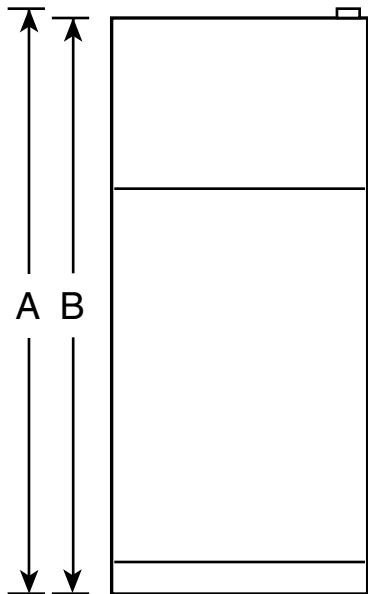


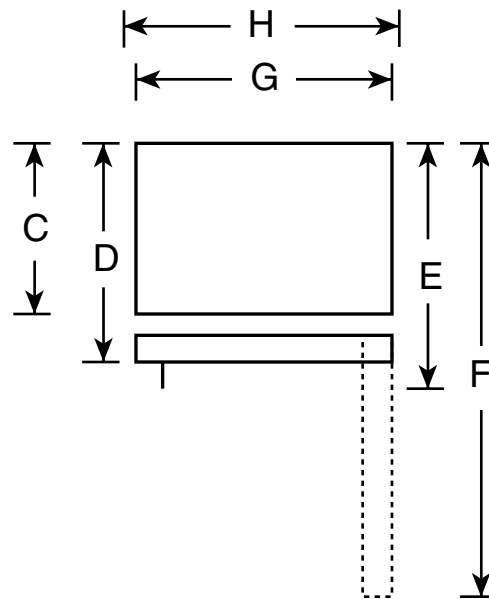
HOTPOINT

CTX14AYBAA—Top-Mount No-Frost Refrigerator

Front View



Top View



Overall Dimensions	Height with hinge (in.) A	61-3/4
	Height without hinge (in.) B	61-1/4
	Depth without Doors (in.) C	25-3/8
	Depth with Doors (in.) D	27-7/8
	Depth plus Handle with Doors Closed (in.) E	27-7/8
	Depth with Doors open 90° (in.) F	54-3/8
	Width with Doors Closed (in.) G	28
	Width with Doors open 90° Less Door Handles (in.) H	28-3/8
Air Clearances	Each side (in.)	3/4
	Top (in.)	1
	Back (in.)	1

Note: Before installing, consult installation instructions packed with product for current dimensional data.



Total volume and shelf area are calculated by the Association of Home Appliance Manufacturers' standards.



Listed by Underwriters Laboratories

HOTPOINT

CTX14AYBAA—Top-Mount No-Frost Refrigerator



Features and Benefits

- 14.4 cu ft Capacity (Fresh Food 10.58 cu ft / Freezer 3.86 cu ft)
- 1 Full-Width White Vegetable/Fruit Crisper
- 2 Fresh Food Door Shelves
- 2 Adjustable Full-Width Wire Everwhite Fresh Food Cabinet Shelves
- 2 Freezer Door Shelves with Tall Bottle Storage
- Equipped for Optional Automatic Icemaker
- 2 Ice 'N Easy Trays
- Color-Matched Recessed Door Handles
- Model CTX14AYBWW—White on white
- Model CTX14AYBAA—Almond on almond