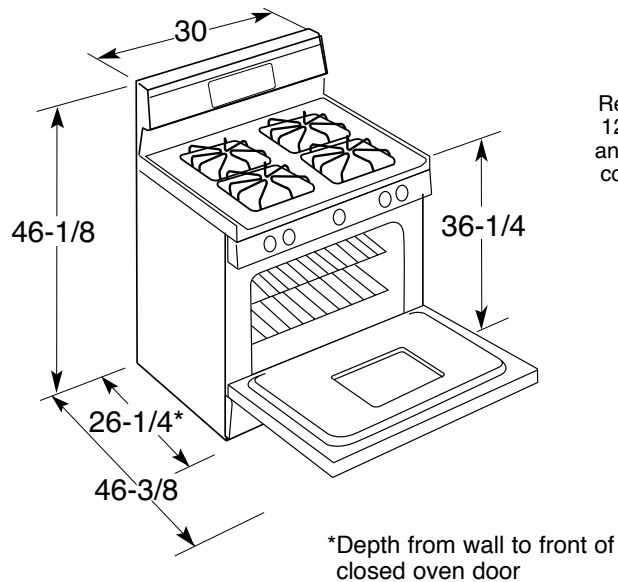


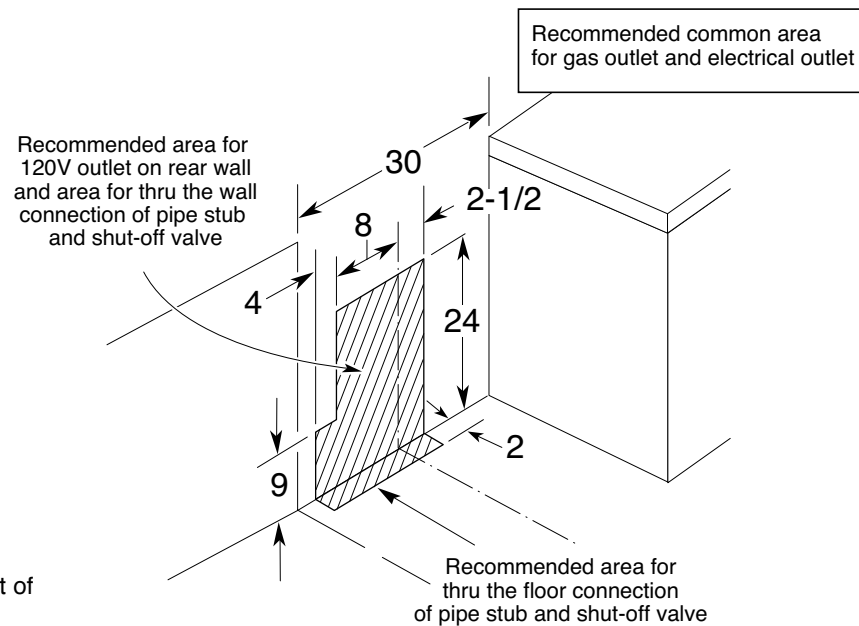
HOTPOINT®

RGB530DET – Hotpoint 30" Free-Standing Gas Range

Dimensions (in inches)



30" Gas Range Installation Information (in inches)



Installation Information: Before installation, consult installation instructions packed with product for current dimensional data.

Optional gas range accessory drip pans:
(Available at additional cost)
To order these accessory drip pans, call toll-free 800-626-2002.

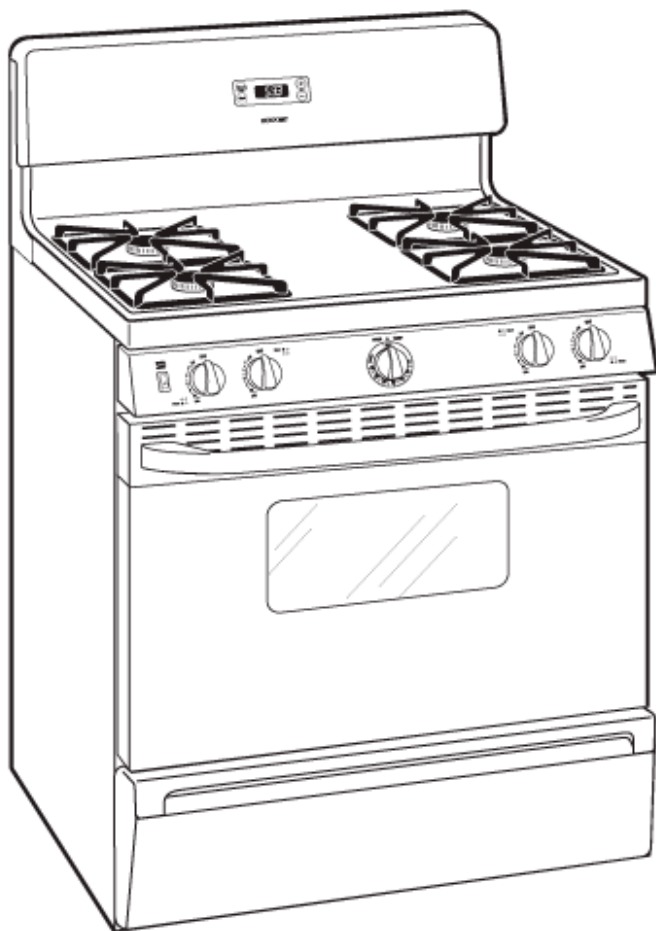


All Hotpoint ranges are equipped with an Anti-Tip device. The installation of this device is an important, required step in the installation of the range.



HOTPOINT®

RGB530DET – Hotpoint 30" Free-Standing Gas Range



Features and Benefits

- Extra-large oven capacity – Enough room to cook an entire meal at once
- Sealed cooktop burners – Burner elements are sealed to the cooktop to keep foods and liquid contained on the cooktop, making cleaning painless
- Simmer setting – Simmer setting allows for low, even heat distribution for delicate foods and sauces
- All-purpose burners – All-purpose burner delivers two levels of BTU output to accommodate virtually all your cooking needs
- Electronic clock and timer – Convenient clock and timer helps you coordinate meal preparation and cooking
- Standard grates – Quality grates keep pots and pans securely in place over the burners
- Model RGB530DETBB – Black
- Model RGB530DETWW – White