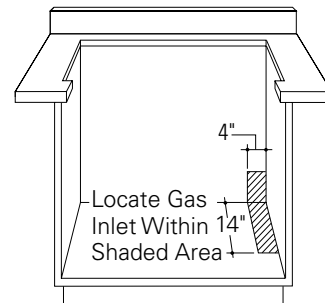
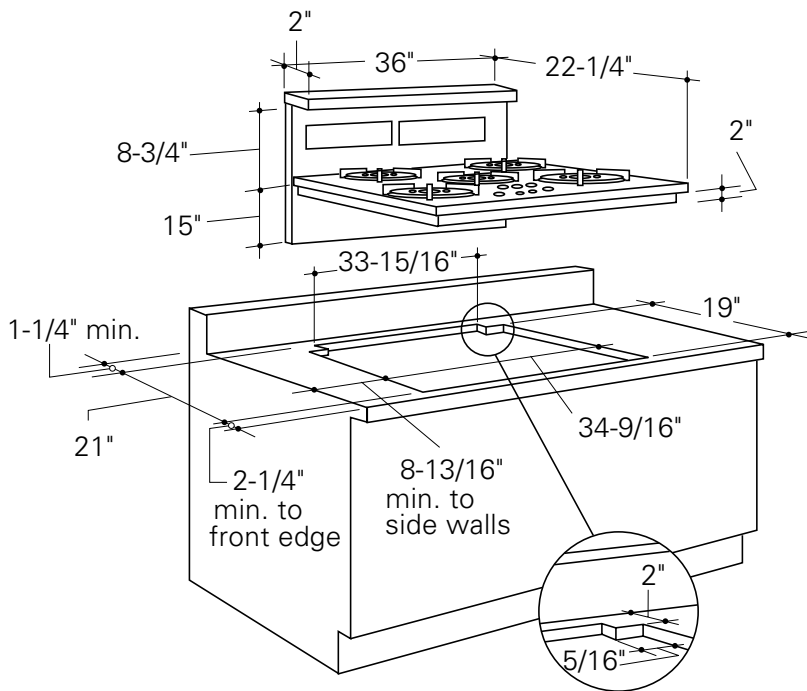




Monogram™

ZGU365D—GE Monogram 36" Downdraft Cooktop with 5 Burners and Retractable Vent

Dimensions and Specifications (in inches)



Slab Installation:

For peninsula or island installation and rear wall ducting, PVC duct should be used if installing under a poured concrete slab.

Note:

Reference, GE Monogram Updraft Cooktop Installation Instruction, packed with product, for complete details.

***LP Gas Conversion JXLP56 must be ordered for LP applications.**

Important:

Must order a white JXBA56WW or black JXBA56BB housing and blower assembly kit. JBXC55 optional outdoor cover accessory may be ordered for installation of motor and blower assembly on outside wall.

†See written warranty for details.

For answers to your Monogram®, GE Profile Performance Series™, GE Profile™ or GE appliance questions, call GE Answer Center® service, 800.626.2000.

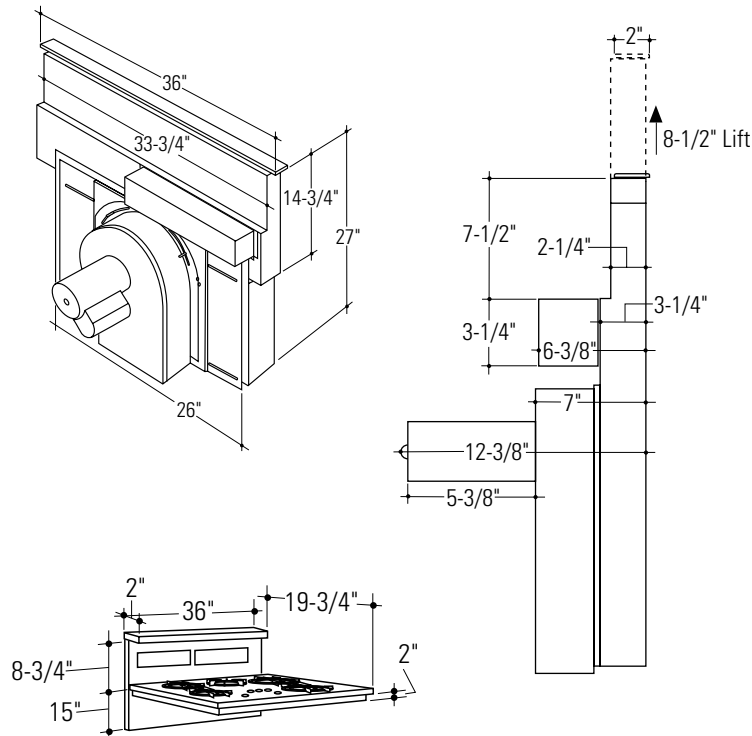
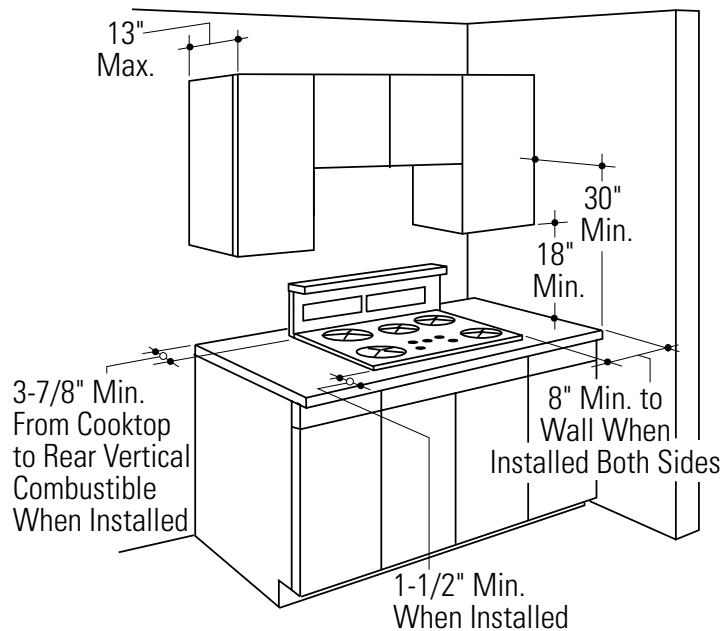




Monogram™

ZGU365D—GE Monogram 36" Downdraft Cooktop with 5 Burners and Retractable Vent

Dimensions and Clearances (in inches)



Advance Planning

The combined installation of a downdraft vent and cooktop require careful consideration.

Countertop Requirements:

The countertop must have a deep flat surface to accommodate the cooktop and the vent. Countertops with rolled front edge and backsplash may not provide the flat surface area required.

Base Cabinet Requirements:

This installation requires a 24" min. deep cabinet base. The cabinet must be at least 36" wide.

Clearances

- The downdraft system with blower, motor and ductwork will occupy the cabinet below the cooktop. Drawers cannot be installed below this cooktop.
- Refer to "Dimensions and Clearances" for information on appropriate placement and necessary clearances when planning installation.
- Avoid placing cabinetry directly above the cooktop when possible.
- If cabinetry is used above the cooking surface:
 - Use cabinets no more than 13" deep.
 - Maintain 30" minimum clearance between the cooktop and unprotected cabinets directly above the cooktop
 - If clearance is less than 30", protect cabinet bottoms with flame-retardant millboard at least 1/4" thick, or gypsum board at least 3/16" thick, or gypsum steel or .02" thick copper.
 - Clearance between cooktop and protected cabinetry must not be less than 24".

EXCEPTION: Installation of a listed microwave oven or cooking appliance over the cooktop shall conform to the installation instructions packed with that appliance.

–Working areas adjacent to the cooktop should have 18" minimum clearance between cooktop and cabinet bottom.

- Installation must conform with local codes. In the absence of local codes, the gas cooktop must comply with the National Fuel Gas Code, ANSI Z223.1, latest edition.

For answers to your Monogram®, GE Profile Performance Series™, GE Profile™ or GE appliance questions, call GE Answer Center® service, 800.626.2000.

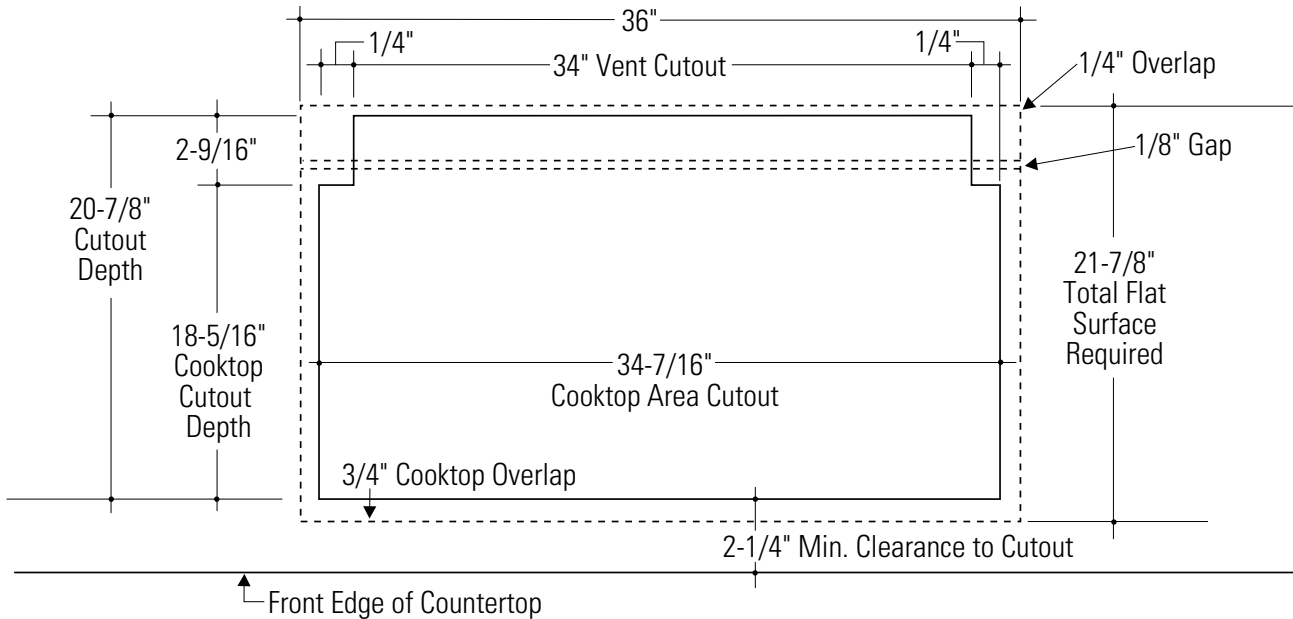




Monogram™

ZGU365D—GE Monogram 36" Downdraft Cooktop with 5 Burners and Retractable Vent

Dimensions (in inches)



Cutout Information

Measure carefully when cutting countertop. Make sure sides of opening are parallel and rear and front cuts are exactly perpendicular to sides.

- The Monogram gas cooktop is designed to fit in a 36" or larger base cabinet.
- The countertop cutout for cooktop must be:
 - 34-1/2" at the front of counter and,
 - 34" at the back
 - 18-1/8" front to back notch
 - 20-11/16" front to back of cutout

The notches at the back of the cutout are:
–2-9/16" forward and 1/4" to the inside.
Follow the installation shown.

- Allow at least 4-5/8" clearance between back of cutout and combustible wall.
- Allow at least 8-13/16" clearance from right and left side of cutout to adjacent wall.
- Allow at least 2-1/4" clearance between front of cutout and front edge of countertop.

Caution:

Wall coverings, countertops and cabinets should withstand 200°F heat generated by the cooktop.

For answers to your Monogram®, GE Profile Performance Series™, GE Profile™ or GE appliance questions, call GE Answer Center® service, 800.626.2000.

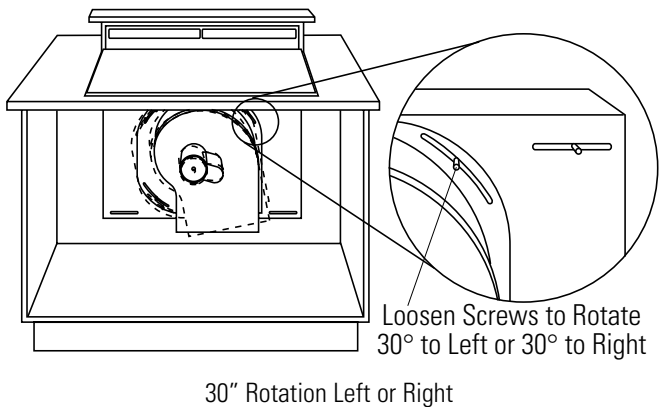
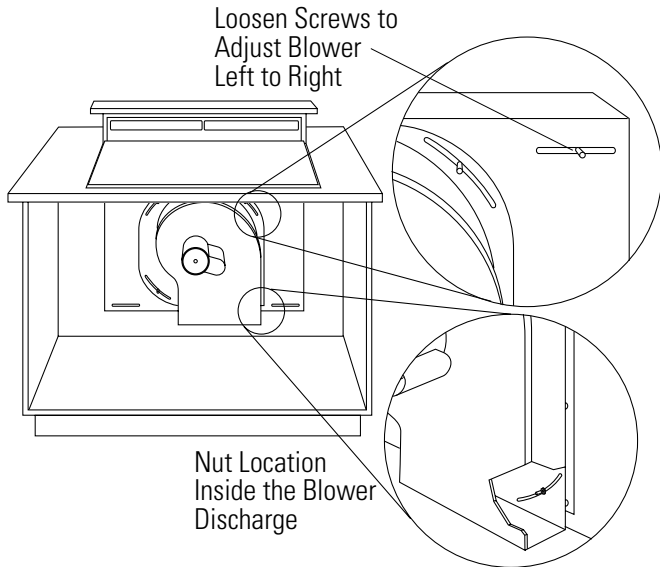




Monogram™

ZGU365D—GE Monogram 36" Downdraft Cooktop with 5 Burners and Retractable Vent

Venting Options



Ductwork Advance Planning

Prepare ductwork to vent to outdoors:

- Use the shortest and straightest duct run possible:
 - Duct run should not exceed equivalent length of 150 feet.
 - Refer to “Duct Fittings” chart, found in installation instructions packed with product, to calculate equivalent length for various duct configurations.
- The downdraft blower system is designed to use 3-1/4" x 10" ductwork. It can be transitioned to 6" round.
- Ductwork **MUST** be vented to the outside never to a crawlspace, attic or other inclosed space.
- Determine the need for a wall cap or roof cap. Order the cap in advance.
- The downdraft vent is shipped with the discharge outlet pointing straight down and can be changed to the left or right side.
- The blower outlet is sized for 3-1/2" x 10" and can be transitioned to 6" round.

Side to side adjustments:

The entire blower mounting plate can be adjusted 3-1/2" to the left or right. This will help align vent discharge to house ductwork.

30° Rotation

For even more flexibility, the entire blower can be rotated up to 30° towards the left or right.

Discharge directions

The blower assembly may be removed and turned 90° for a left or right side discharge.

For answers to your Monogram®, GE Profile Performance Series™, GE Profile™ or GE appliance questions, call GE Answer Center® service, 800.626.2000.

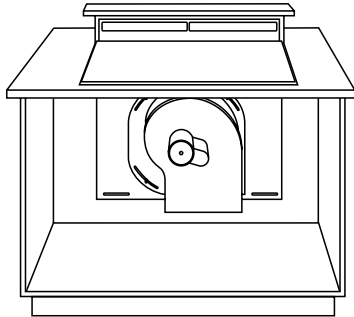




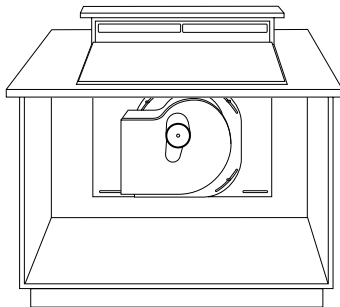
Monogram™

ZGU365D—GE Monogram 36" Downdraft Cooktop with 5 Burners and Retractable Vent

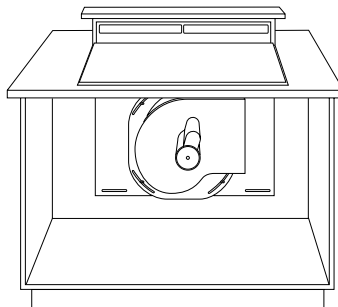
Venting Options (cont.)



Discharge Down
(as Supplied)



Discharge Left



Discharge Right

Order JXRB57 for installation of the blower and motor below the floor.

Order JXBC57 for installation of the blower and motor outdoors.

- A left or right 90° direction adjustment should be performed before dropping into countertop opening.
- Flatten the shipping box to use as a pad.
- Lay the vent on its back onto the pad.

To change to a left or right discharge:

- Remove 4 nuts holding the blower to the mounting plate. One nut is just inside the blower discharge.
- Remove and turn blower to the right or left.
- Reinstall the 4 nuts

To locate the ductwork holes in the cabinet floor and side walls:

- Temporarily, place vent into the countertop opening.
- Push vent all the way to the back of the opening.
- If you are transitioning to 6" round, place transition piece over the discharge outlet.
 - Mark the location and remove the assembly.
 - Cut holes and install ductwork connections.

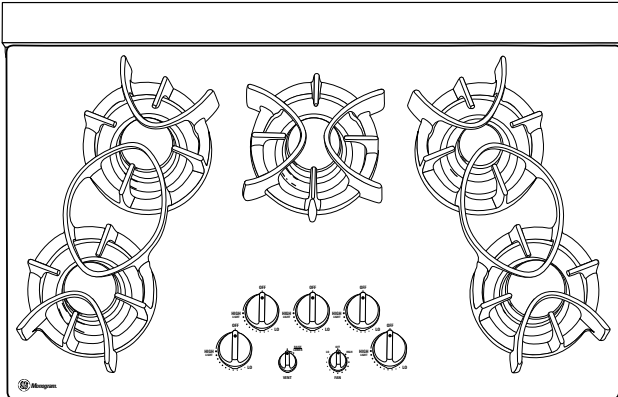
For answers to your Monogram®
GE Profile Performance Series™
GE Profile™ or GE appliance questions, call
GE Answer Center® service, 800.626.2000.





Monogram™

ZGU365D—GE Monogram 36" Downdraft Cooktop with 5 Burners and Retractable Vent



Features and Benefits

- 36" Downdraft Gas Cooktop
- Five Cooking Areas with Sealed Cooktop Burners
- (1) 12,000 BTU Gas Burner
- (3) 9,500 BTU Gas Burners
- (1) 5,000 BTU Gas Burner
- Burner Flame Stability Chamber
- Electronic Pilotless Ignition
- Tempered Glass Surface
- Continuous Porcelainized Burner Grates
- Front-Mounted Controls
- Downdraft Venting System with Retractable Vent
- Optional Blower Mount Capabilities
- Motor and Blower Assembly Required_ See Accessories
- Model ZGU365DWBWG—White on white
- Model ZGU365DBBBG—Black on black