

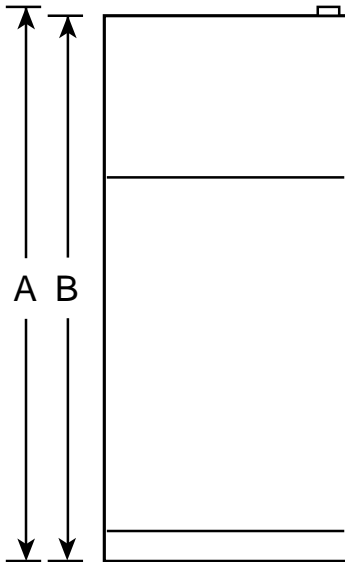


**GE Appliances**

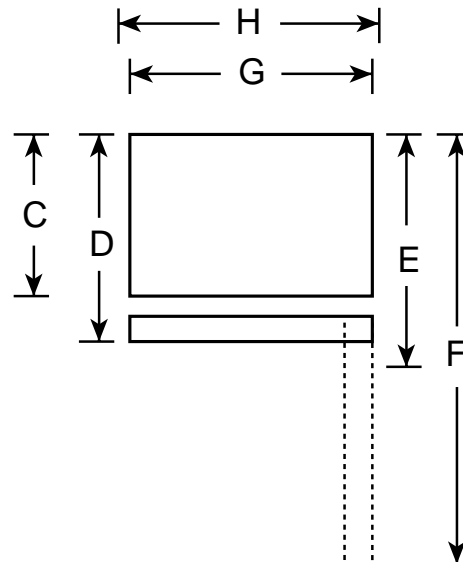
## GTS18SBM – GE 17.9 Cu. Ft. Top-Freezer Refrigerator

Dimensions (in inches)

Front View



Top View



<b>Overall Dimensions</b>	Height to top of hinge (in.) <b>A</b>	<b>66-5/8</b>
	Height to top of case (in.) <b>B</b>	<b>66-1/8</b>
	Case depth without doors (in.) <b>C</b>	<b>27-1/2</b>
	Case depth less door handle (in.) <b>D</b>	<b>30-1/4</b>
	Depth with door handle (in.) <b>E</b>	<b>32-1/8</b>
	Case depth with fresh food door open 90° (in.) <b>F</b>	<b>58-1/8</b>
	Width (in.) <b>G</b>	<b>29-1/2</b>
	Width with door open 90° less door handle (in.) <b>H</b>	<b>30</b>
<b>Air Clearances</b>	Each side (in.)	<b>1/8</b>
	Top (in.)	<b>1</b>
	Back (in.)	<b>1</b>



Total volume and shelf area are calculated by the Association of Home Appliance Manufacturers' standards.



Listed by Underwriters Laboratories

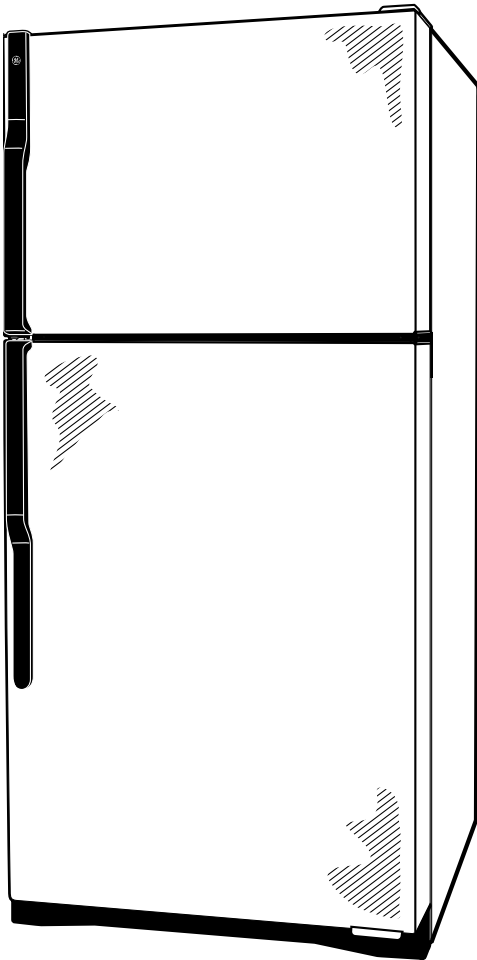
Specification Created 7/02

For answers to your Monogram®, GE Profile™ or GE appliance questions, visit our website at [GEAppliance.com](http://GEAppliance.com) or call GE Answer Center® service, 800.626.2000.



**GE Appliances**

## **GTS18SBM – GE 17.9 Cu. Ft. Top-Freezer Refrigerator**



### **Features and Benefits**

- 17.9 cu. ft. Capacity (Fresh Food 12.87 cu. ft./Freezer 4.98 cu. ft.)
- Illuminated Temperature Controls
- 4 Adjustable, Spill-Proof, Split Glass Fresh Food Cabinet Shelves and Spill-Proof Freezer Floor
- 3 Adj. Gallon Door Bins and 1 Fixed Door Bin with Tall Bottle Storage; Tilt-Out Locking Freezer Door Bin
- NeverClean™ Condenser
- Deluxe Quiet Design
- Snack Pan
- 2 Adjustable Humidity Vegetable/Fruit Crispers
- Equipped for Optional Automatic Icemaker
- Dairy Compartment with Butter Dish
- Adjustable Full-Width Wire Everwhite Freezer Compartment Shelves
- 2 Modular Freezer Door Bins
- 2 Ice 'N Easy Trays with Ice Tray Shelf
- Black Door Handles
- Model GTS18SBMBS – Stainless steel