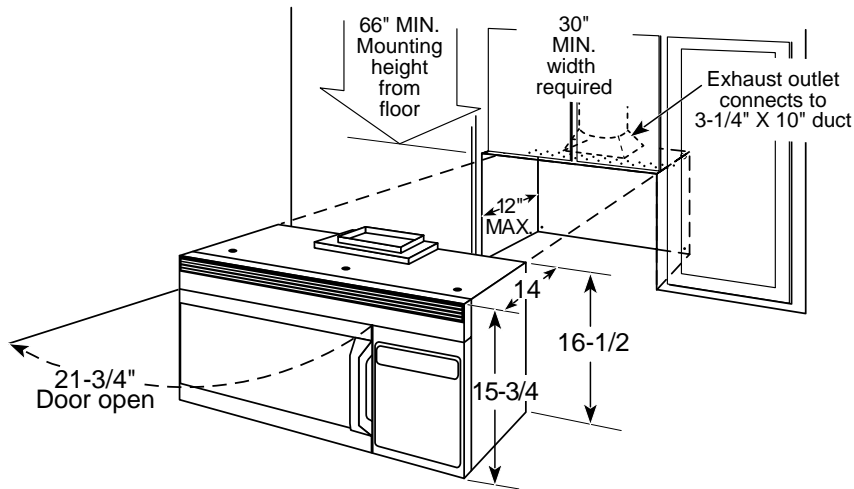


HOTPOINT®

RVM1435WH – Hotpoint Counter Saver Plus™ Microwave Oven

Dimensions (in inches)



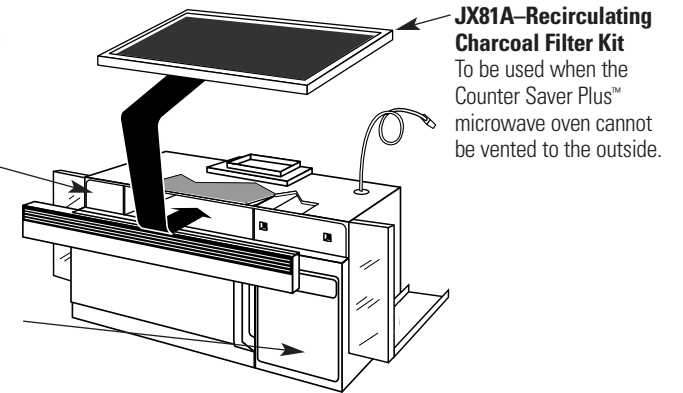
Important Information: When installing the Counter Saver Plus microwave oven over a range, allow minimum of 2" from bottom of Counter Saver Plus microwave oven to top of range backguard to allow for removal of light covers.

Installation Information: This information is not intended to be used for installing unit described. Before installing, consult installation instructions packed with product/kit for current dimensional data.

Optional Accessories (Available at additional cost)

JX41/JX46BL–Black Filler Panel Kit
JX40WH/JX46WH–White Filler Panel Kit

When replacing a 36" range hood, this kit fills in the additional width to provide a custom, built-in appearance. For installation between cabinets only; not for end-of-cabinet installation. Each kit contains two, 3"-wide filler panels.



Ventilation Options: The Counter Saver Plus™ microwave oven is designed for adaptation for the following three types of ventilation:

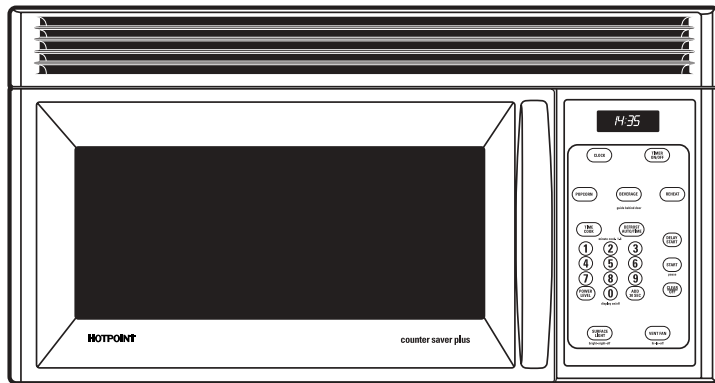
Outside Exhaust (Vertical)

Outside Exhaust (Horizontal)

Recirculating (Non-vented ductless–see Filter Kit Drawing)



RVM1435WH – Hotpoint Counter Saver Plus™ Microwave Oven



Features and Benefits

- 1.4 cu. ft. Oven Cavity/950 Watts*
- Interactive Display System
- Electronic Scrolling Digital Display with Clock and AM/PM Pad
- Variable Scroll Speed
- Popcorn and Reheat Pads
- Time Cook I & II
- Auto Defrost/Time Defrost
- Express Cook with Instant On Controls
- Cooking Complete Reminder
- Delay Start/Reminder
- Concurrent Programming
- Display On/Off
- Timer On/Off
- Child Lock-Out
- 10 Power Levels
- Turntable
- Full-View Cooktop Lighting
- Two-Speed, High-Capacity Exhaust Fan
- Model RVM1435WH – White

*IEC-705 Test Procedure