

VOLUME 2 • 2000

GE Appliances



America's #1 Preferred Appliance Brand

According to a recent Louis Harris Poll, GE is the appliance brand most often mentioned among the brands rated as offering the best products and services in America.



We bring good things to life.



Thank you for rating us number one. Again!

Once again, American consumers have rated GE number one.

According to the most recently published Louis Harris Poll, *GE is the appliance brand most often mentioned among the brands rated as offering the best products and services in America.*

GE's quality experts put our products through rigorous testing before you put them in your home.

Quality

All innovative new GE® Appliances have to prove they will perform their tasks over and over and over again. Quality is an obsession at GE. Here are just a few examples:



The Revolutionary Advantium™ Oven

GE's award winning new oven allows families to prepare oven quality food in an average of one-fourth the time it takes in a conventional oven. But can you count on the amazing "cooking with light" technology day after day? GE ran the product for 63,000 lamp hours without failure. For good measure, we hit the start button 300,000 times, turned the meal selection dial 110,000 times and slammed the door 100,000 times. Put another way, we simulated 10 years of use before offering the Advantium oven to consumers.

300,000 Starts



1 Million Wash/Dry Cycles

GE Triton™ Dishwasher

We tested Triton's cleaning power by putting it through 1 million wash and dry cycles—that's the equivalent of 2700 years of complete cycles! We also slammed the door 15 million times to make sure the seal would hold.



6,200,000 Test Cycles

GE Wizard Washer and Dryer

Our GE Reliability Lab assures you of a dependable wash—load after load after load. Engineers put the Wizard through 6,200,000 washer cycles to test its toughness. The result is GE's best washer and dryer system, ever.

Quality is an obsession at GE.



Innovation at the speed of life.

GE leads the way with exciting new products for the 21st Century.



The Award-Winning Advantium™ Oven

GE's revolutionary new oven with Speedcook technology delivers great-tasting food in an average of one-fourth the time of conventional ovens, with no preheating. Cooking at the speed of life.™



Grand Award Winner of *Popular Science's* 1999 "Best of What's New"

Named one of the "Best New Products of 1999" by *BusinessWeek*

Winner of the KBB Product Innovator Awards Program

Winner of *Design Journal's* 1999 "Best of Show"

Winner of *Design Journal's* 1999 Award for Design Excellence (ADEX)

Top Product Pick For 1999 by *Building Products Magazine*



GE Spectra™ Range

Want to cook big? This new range is the largest,* most accurate oven in America. The Spectra cooktop turns high technology into truly time-saving features, with lots of innovative ways to prepare great food—just the way you like to cook. **Among leading manufacturers' brands.*



GE Triton™ Dishwasher

Thanks to GE's advanced technology and TriClean™ wash system, you get more than clean, you get a quiet kind of clean. By redirecting the spray jets, more water hits the dishes and less hits the tub and door, keeping more of the noise inside the dishwasher. "The cleanest wash you never heard."™



Contoured Door Refrigerator

Doors are gently rounded and have a smooth, high-gloss finish for a high fashion look. The contoured doors give you a fresh new look for the outside, and you'll find more fresh ideas on the inside.



GE Wizard Washer and Dryer

Introducing a new definition of clean. The Wizard has a marvelous way with laundry. It not only gets clothes clean—it makes life easier. Engineered with the innovative Adaptive Logic System,™ Wizard does the thinking so you don't have to. It learns and adjusts washer and dryer cycle times based on load sizes and fabric types. All you have to do is press a button. That's the magic of Wizard.

GE gives you so many color choices.



The Stainless Portfolio offers a striking contemporary option.

GE's seemingly endless line of stainless steel appliances is a reflection of America's growing demand for the sophisticated stainless finish.



Bisque proves that the best decision is often a neutral one.

Our new bisque color is a blend of vanilla, ecru and buff that's incredibly warm and inviting. The ultimate in refinement, this delicate hue coordinates beautifully with the natural tones and materials in many of today's kitchens.



Nothing brightens a kitchen quite like white.

White continues to reign as the most popular color for appliances. One reason is that its pristine beauty works wonderfully with any décor. Also, this classic color radiates light, brightening up rooms and opening them up, as well.



If you want to make a dramatic statement, choose black.

Anything but basic, our black is all about drama and effect. Think black-as-midnight, with a little moonlight glow. Instead of fading to black, this sleek color shines. It also provides the perfect backdrop for bright accent pieces.

Table of Contents

Product	Page	Specifications/Installation
Refrigerators		
CustomStyle™ Refrigerators	8-19.....	160-165
Contoured Door Refrigerators	20-21.....	166
Side-by-Side Refrigerators.....	22-25.....	166-167
Bottom-Freezer Refrigerators.....	26.....	168
Top-Freezer No-Frost Refrigerators.....	27-32.....	169-171
Cycle and Manual Defrost Refrigerators.....	32-33.....	172
Compact Refrigerators.....	33.....	172
Freezers.....	34-35.....	173
Refrigeration Trim Kits		174
Built-In Cooking Products		
Advantium™ Ovens.....	36-41.....	175
Wall Ovens.....	42-56.....	176-184
Warming Drawers	57.....	185
Cooktops.....	58-67.....	186-193
Slide-In/Drop-In Ranges	68-75.....	194-200
Free-Standing Cooking Products		
Electric Ranges	76-87.....	200-203
40" Electric Ranges	87.....	203
Gas Ranges.....	88-95.....	204-206
Ventilation Options	96-97.....	207-209
Microwave Ovens		
Over-The-Range	98-103.....	210-211
Wall Ovens.....	104.....	212
Countertop.....	105-110.....	213-214
Spacemaker II™	111.....	214
Countertop Microwave Oven Built-In Trim Kits.....	111.....	215
Dishwashers		
GE Triton™ Built-In	112-115.....	216
GE Nautilus™ Built-In	116.....	217
Convertible.....	117.....	218
Spacemaker® Undersink and Built-In.....	118.....	218-219
Disposers and Compactors.....	119.....	220
Clothes Care		
Washers and Dryers	120-129.....	221-223
Front Loading Washer & Dryer.....	130-131.....	224
Dryer Exhausting and Installation Information		225
Spacemaker® Washers & Dryers	132-133.....	226-227
Water Systems		
Filtration Systems	134-144.....	228-230
Softening Systems.....	145-147.....	230
Air Conditioning		
“J” Series Built-In	148-151.....	232-233
GE Profile™, Deluxe, Value and Heat/Cool	152-153.....	231
Quiet-Aire™ –Split System.....	154.....	234
Slide-Aire	154.....	231
Dehumidifiers.....	154.....	234
Warranty Information	156-159.....	
Nomenclatures	235-238.....	

On the cover: Cabinetry: Birdseye Maple from Kitchen Crafters, Louisville, Kentucky (502) 893-3000; Custom wood laminate cabinets; Laminate flooring: Gunstock Oak from PERGO (800) 33-PERGO; Tile Inlay Floor: Happy Floors in Ascissi Green from Mees Tile, Louisville, Kentucky (502) 969-5858; Faucets: Monticello Cathedral from Moen (800) BUY-MOEN; Sinks: Utility sink is Lakefield and vegetable sink is Urbanite from Kohler. Call 1-800-4-KOHLER for more information.

With CustomStyle™ refrigerators,
the only thing that will stand out is your kitchen.



These sleek CustomStyle™ refrigerators look like custom built-in units because they install nearly flush with kitchen cabinets. This saves floor space! Save nearly 7" with side-by-side models and nearly 5" with top-freezer models. There are two style options to choose from: Trimless or Installed Trim. Trimless models simply slide in, there's nothing to attach or build. Installed trim models can be decorated with custom wood panels to match the cabinets, or with black, white, stainless steel or bisque panels available from GE. Our exclusive CustomStyle refrigerators are loaded with fresh ideas inside and out. GE delivers the design consumers expect and the distinctive style they want.



Cooking Products

Microwave Ovens

Dishwashers

Clothes Care

Water Systems

Air Conditioning

Only GE offers CustomStyle™ Refrigerators, and they're available in Side-By-Side and Top-Freezer models



A GE CustomStyle side-by-side refrigerator is the perfect solution for today's open-living kitchen designs.

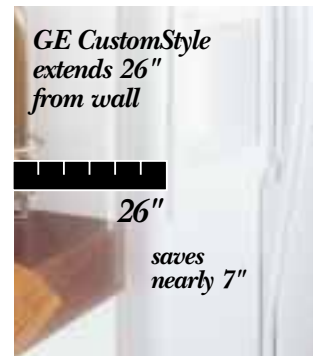


GE's CustomStyle top-freezer refrigerator looks built-in on the outside and has more accessibility than any other free-standing top-freezer.

This is the kind of innovation you can expect from America's #1 Manufacturer of Refrigerators

GE redesigned these refrigerators from the inside out. The goal was to offer consumers a stylish refrigerator that wouldn't take up as much floor space and at the same time, offer full-capacity storage. We did it! As a result, we are offering a special category of refrigerators: CustomStyle. This line is now available in a full color selection, as well as with your own custom panel options.

Side-By-Side Refrigerators



Top-Freezer Refrigerators



“Because they install nearly flush with the cabinets, these refrigerators save floor space. They don't stick out into the kitchen!”

Not all features available on all models. For additional features, specifications and color availability, refer to pages 160 and 164.

GE Profile Performance Series™ CustomStyle™ Stainless steel models

GE has kept pace with America's growing appetite for Stainless steel appliances with CustomStyle refrigerators in the prestigious GE Profile Performance Series.™ With these models, no trim or slide-in panels are required. The result is a finely crafted, sleek, clean CustomStyle appearance. Lately, more and more design-conscious homeowners are discovering that incorporating Stainless steel into their kitchen decor doesn't have to be an "all or nothing" decision. GE's Profile Performance Stainless steel refrigerators can be "mixed" with either black or white appliances. The effect is stunning. It's amazing how one major appliance can literally upgrade an entire kitchen. As for cabinetry, Stainless steel compliments natural wood tones; and it also looks sensational with both traditional and designer colors. Our Stainless steel models feature sleek black handles and dispenser.



GE Profile Performance Series™
Side-By-Side Trimless Stainless Steel Model
TPS24BPDBS

- Exclusive Water by Culligan™ NSF Certified • Squared doors



GE Profile Performance Series™
Top-Freezer Trimless Stainless Steel Model
TNS22PRC

- LightTouch! dispenser delivers cubes, crushed ice and chilled water • Rounded doors

Not all features available on all models.
For additional features, specifications and color availability, refer to pages 160 and 164.

CustomStyle™ Side-By-Side Refrigerators: Choose a trimless or installed trim model



GE Profile Performance Series™
Trimless Model
TPX24PPDCC

Trimless models: Installation made easy, simply slide in.

The trimless CustomStyle units install by simply sliding into—way into—the space between cabinets. Because they align with counters, CustomStyle refrigerators instantly look built-in. And there's nothing to attach or custom build. Available in stainless steel, white, bisque, almond and black.

Trimless models shown on pages 16, 17 and 18.



GE Profile™
Installed Trim Model
TPX24BRDWW
shown with a custom wood panel and optional collar trim TRMBISWW.

Installed trim models: Another way to customize.

Whether you're building a brand new kitchen or planning for a renovation, GE opens a world of design possibilities. CustomStyle refrigerators accept a variety of door panels: stainless steel, as well as acrylic panels in white, bisque, almond or black. The choices are simple.

CustomStyle™ Side-By-Side trim and panel options

Installed Trim Models

Optional door panels: another way to customize.

When you choose GE CustomStyle refrigerators with installed trim, the choices of design are practically endless. Order stainless steel panels or acrylic panels in white, black, almond or bisque from GE, or make and install your own custom wood panels to accent the cabinetry in your kitchen.

Optional collar trim: available for all models listed below.

The optional collar trim is just another way GE lets you integrate our CustomStyle refrigerators into your kitchen decor. Available in white, black, almond, bisque and stainless steel, this trim frames the refrigerator facade, adding to the finished look of a built-in, custom kitchen. Collar trim: TRMBISWW, TRMBISBB, TRMBISAA, TRMBISSS, TRMBISCC.

Panels available:

Model TPX24BRD is available with white, black, almond, Stainless steel or your own custom wood panel options.

Models TPX24BPD, TPX24BID and TPX21BRD are available with white, black, stainless steel or your own custom wood panel options.

Model TPX24BPD is available with bisque panel options.

Dispenser Models



TPX24BPDBB
Shown with optional black acrylic panels. Water by Culligan™ LightTouch! dispenser.



TPX24BPDBB
Shown with custom wood panels. Water by Culligan™ LightTouch! dispenser.



TPX24BRDWW
Shown with optional white acrylic panels. LightTouch! dispenser.



TPX24BRDAA
Shown with custom wood panels. LightTouch! dispenser.



TPX24BPDCC
Shown with optional bisque acrylic panels. Water by Culligan™ LightTouch! dispenser.

Non-Dispenser Models



TPX21BRDBB
Shown with custom wood panels. LightTouch! dispenser.



TPX21BRDWW
Shown with optional white acrylic panels. LightTouch! dispenser.



TPX24BIDBB
Shown with optional black acrylic panels. Non-dispenser.



TPX24BIDWW
Shown with optional white acrylic panels. Non-dispenser.

For additional features, specifications and color availability, refer to page 160.

The only CustomStyle™ Top-Freezer Refrigerator: Choose a trimless or installed trim model

This is the first top-freezer refrigerator designed to align with countertops and not stick out or take up valuable floor space, evoking the “premium impression” of a custom built-in kitchen. Best of all, it has full-capacity storage and saves nearly 5” of floor space.



GE Profile Performance Series™
Trimless Model
TNX22PRCWW

Trimless models: Installation made easy, simply slide in.

The trimless CustomStyle units install by simply sliding into—way into—the space between cabinets. Because they align with counters, CustomStyle refrigerators instantly look built-in. And there’s nothing to attach or custom build. Available in stainless steel, white, bisque, almond and black.

Trimless models shown on page 19.



GE Profile Performance Series™
Installed Trim Model
TNX22BACBB shown with custom wood panels.

Installed trim models: Another way to customize.

Whether you’re building a brand new kitchen or planning for a renovation, GE opens a world of design possibilities. CustomStyle refrigerators accept a variety of door panels: acrylic white or black and stainless steel panels. The choices are simple.

CustomStyle™ Top-Freezer trim and panel options

Installed Trim Models

Optional door panels: another way to customize.

When you choose GE CustomStyle refrigerators with installed trim, the choices of design are practically endless. Order stainless steel panels or acrylic panels in white or black from GE, or make and install your own custom wood panels to accent the cabinetry in your kitchen.

Optional collar trim: available for all models listed below.

The optional collar trim is just another way GE lets you integrate our CustomStyle refrigerators into your kitchen decor. Available in white, black and stainless steel, this trim frames the refrigerator facade, adding to the finished look of a built-in, custom kitchen. Collar trim: TRMBISWW, TRMBISBB, TRMBISS.

Panels available:

Models TNX22BRC and TNX22BAC are available with white, black, stainless steel or your own custom wood panel options. Model TNS22BRC is only available with stainless steel panels.

Dispenser Models



TNX22BRCWW
Shown with optional white acrylic panels. LightTouch! dispenser.



TNX22BRCBB
Shown with optional Stainless steel panels. LightTouch! dispenser.



TNX22BRCBB
Shown with custom wood panels. LightTouch! dispenser.



TNS22BRCBS
Shown with installed Stainless steel panels. LightTouch! dispenser.

Non-Dispenser Models



TNX22BACBB
Shown with optional black acrylic panels. Non-dispenser.



TNX22BACBB
Shown with optional Stainless steel panels. Non-dispenser.



TNX22BACBB
Shown with custom wood panels. Non-dispenser.

Not all features available on all models. For additional features, specifications and color availability, refer to page 164.

Side-By-Side CustomStyle™ Models: 24 cu. ft.

These models include • Quiet Package II • QuickSpace™ shelf • ClearLook™ adjustable door bins • Gallon door storage • Two slide-out, spill-proof glass shelves • Wire Everwhite slide-out freezer baskets • Freshness Center™ • Beverage rack • Improved fresh food interior lighting

Note: bold = feature upgrade from previous model



ShelfSaver™ provides a new space for odd shapes and sizes.



Freshness Center™ offers maximum storage flexibility with adjustable humidity controls and temperature controls to keep foods fresher longer.



Water by Culligan™ provides cleaner, better-tasting water and ice instantly from your LightTouch!™ dispenser.



Improved fresh food interior lighting is now over 25% brighter for improved visibility.



GE Profile Performance Series™

Trimless Stainless Steel Dispenser Model

TPS24PBD

- 23.7 cu. ft. capacity • **Stainless steel model** with trimless rounded doors, black handles and black dispenser • Exclusive Water by Culligan™ NSF Certified • LightTouch!™ dispenser • Electronic Monitor and Diagnostic System • ShelfSaver™
- Refreshment Center • Premium Deluxe handles

GE Profile Performance Series™

Trimless Dispenser Models

TPX24PBD

- 23.7 cu. ft. capacity • Exclusive Water by Culligan™ NSF Certified • LightTouch!™ dispenser • ShelfSaver™
- **Electronic Monitor and Diagnostic System**
- Refreshment Center • Rounded doors • Premium Deluxe handles • Available in Bisque

TPX24PPD (not shown)

- Exclusive Water by Culligan™ NSF Certified
- LightTouch!™ dispenser • ShelfSaver™ • Premium Deluxe handles • Available in Bisque

TPS24PPD (not shown)

- Stainless steel model with trimless rounded doors, black handles and black dispenser

YOUR WATER BY CULLIGAN™
REPLACEMENT FILTER (FXRC1) can be ordered through the GE Answer Center® (1-800-626-2000), Customer Service Parts Center (1-800-626-2002) or through your Authorized GE Dealer.

WATER FILTER WARRANTY:
 Limited 30 days parts only warranty.

System Tested and Certified by NSF International against ANSI/NSF Standards 42 & 53 for:

Standard No. 42 Aesthetic Effects:	Standard No. 53 Health Effects:
Chemical Unit	Chemical Reduction Unit
Taste and Odor Reduction	Lead Reduction
Chlorine Reduction, Class I	Mechanical Filtration Unit
Mechanical Filtration Unit	Turbidity Reduction
Particulate Reduction, Class I	Cyst Reduction

WATER BY CULLIGAN™ MODELS ONLY



GE Profile Performance Series™

Trimless Stainless Steel Dispenser Model

TPS24BPD

- 23.7 cu. ft. capacity • Exclusive Water by Culligan™ NSF Certified • LightTouch! dispenser • ShelfSaver™
- **Factory-installed Stainless steel trimless squared doors**
- Full-length handles with Stainless steel appearance

Installed Trim Dispenser Model

TPX24BPD (not shown)

- **Exclusive Water by Culligan™** NSF Certified • LightTouch! dispenser • **ShelfSaver™** • Optional panels available
- Full-length color-matched handles • Available in Bisque



GE Profile™

Trimless Model

TPX24PRD Dispenser Model

- 23.7 cu. ft. capacity • **LightTouch! dispenser**
- Rounded doors • Premium Deluxe handles



GE Profile™

Installed Trim Models

TPX24BRD Dispenser Model

- 23.7 cu. ft. capacity • **LightTouch! dispenser** • Optional panels available • Full-length color-matched handles

TPX24BID Non-Dispenser Model (not shown)

- Equipped with factory-installed Nice Cubes™ icemaker
- Optional panels available • Full-length color-matched handles

Trimless Model

TPS24BID Non-Dispenser Stainless Steel Model (not shown)

- Factory-installed Stainless steel trimless squared doors
- Full-length handles with Stainless steel appearance

Side-By-Side CustomStyle™ Models: 21 cu. ft.

- These models include** • LightTouch! dispenser • QuickSpace™ shelf • ClearLook™ adjustable door bins • Gallon door storage
- Two slide-out, spill-proof glass shelves • Wire Everwhite slide-out freezer baskets • Freshness Center™ • Beverage rack
 - Improved fresh food interior lighting
- Note: bold = feature upgrade from previous model**



QuickSpace™ Shelf slides back for storage of tall containers.



Freshness Center™ offers maximum storage flexibility with adjustable humidity controls and temperature controls to keep foods fresher longer.



Slide-Out Freezer Baskets allow for quick and easy loading and unloading.



Beverage Rack offers flexible tall bottle storage.



GE Profile™

Installed Trim Dispenser Model

TPX21BRD

- 21.0 cu. ft. capacity • **Optional panels available** • Full-length color-matched handles



GE Profile™

Trimless Dispenser Model

TPX21PRD

- 21.0 cu. ft. capacity • Premium Deluxe handles

Not all features available on all models.

For additional features, specifications and color availability, refer to page 160.

Top-Freezer CustomStyle™ Models: 22 cu. ft.

These models include • Beverage Rack • Adjustable spill-proof glass shelves • Adjustable humidity vegetable/fruit crispers • ClearLook™ adjustable door bins • Gallon door storage • Dual up-front temperature control (back-lit) • QuickSpace™ shelf • Slide-out, spill-proof crisper cover • Quick Store™ bin • Adjustable temperature meat pan • Adjustable dairy compartment

Note: bold = feature upgrade from previous model



Slide-Out, Spill-Proof Crisper Cover pulls out for easy access and quick cleanup.



QuickSpace™ Shelf slides back to store tall items.



ClearLook™ Adjustable Door Bins store gallon containers with ease.



LightTouch! Dispenser delivers cubes, crushed ice and chilled water.



GE Profile Performance Series™

Trimless Models

TNX22PRC Dispenser Model

- 21.7 cu. ft. capacity • LightTouch! dispenser delivers cubes, crushed ice and chilled water
- Rounded doors • Color-matched Premium Deluxe handles • Available in Bisque

TNS22PRC Dispenser Stainless Steel

Model (not shown)

- **LightTouch! dispenser delivers cubes, crushed ice and chilled water** • **Stainless steel trimless rounded doors** • Premium Deluxe black handles

TNX22PAC Non-Dispenser Model (not shown)

- 21.9 cu. ft. capacity • Equipped for optional automatic icemaker • Available in Bisque

TNS22PAC Non-Dispenser Stainless Steel

Model (not shown)

- 21.9 cu. ft. capacity • **Now available in Stainless steel**



GE Profile Performance Series™

Installed Trim Models

TNS22BRC Dispenser Stainless Steel Model

- 21.7 cu. ft. capacity • **Factory-installed Stainless steel panels, trim and full-length handles**

TNX22BRC Dispenser Model (not shown)

- **LightTouch! dispenser delivers cubes, crushed ice and chilled water**

TNX22BAC Non-Dispenser Model (not shown)

- 21.9 cu. ft. capacity • Equipped for optional automatic icemaker • Rounded doors
- **Factory-installed trim with optional panels and full-length color-matched handles**

GE's design is ahead of the curve



New contoured doors are gently rounded and have a smooth, high-gloss finish for a high-fashion look. From this fresh, new contoured door, to the fresh, new ideas on the inside, GE's year 2000 side-by-side refrigerators are designed and loaded with features that keep America's number one brand ahead of the curve.



A high-gloss finish accentuates the smooth texture for a sophisticated look and feel.

Contoured Door Side-By-Side Models: 26 cu. ft.

These models include • Quiet Package II • QuickSpace™ shelf • ClearLook™ adjustable door bins • Gallon door storage • Two slide-out, spill-proof glass shelves • Wire Everwhite slide-out freezer baskets • Freshness Center™ • ShelfSaver™ • Improved fresh food interior lighting

Note: bold = feature upgrade from previous model



The full-length SoftTouch handle has a comfortable grip and luxurious feel.



ShelfSaver™ provides a new space for odd shapes and sizes.



Improved fresh food interior lighting is now over 25% brighter for improved visibility.



Freshness Center™ offers maximum storage flexibility with adjustable Humidity Controls and Temperature Controls to keep foods fresher longer.



GE Profile Performance™

Dispenser Model

TFB26SPD

• 25.6 cu. ft. capacity • **Stainless steel** model with contoured doors, black handles and black dispenser • Exclusive Water by Culligan™ NSF Certified • LightTouch! dispenser



GE Profile Performance™

Dispenser Model

TFB26PPD

• 25.6 cu. ft. capacity • Contoured doors with high-gloss finish • Exclusive Water by Culligan™ NSF Certified • LightTouch! dispenser • Also available in White on white and Bisque

For additional features, specifications and color availability, refer to page 166.

Side-by-Side Models: 30 to 28 cu. ft.

- These models include** • Quiet Package II • LightTouch! dispenser • QuickSpace™ shelf • Two slide-out, spill-proof glass shelves • ClearLook™ adjustable door bins • Wire Everwhite slide-out freezer baskets • ShelfSaver™ • Freshness Center™ • Beverage rack • Premium Deluxe handles • Improved fresh food interior lighting

Note: bold = feature upgrade from previous model



ShelfSaver™ provides a new space for odd shapes and sizes.



Water by Culligan™ provides cleaner, better-tasting water and ice instantly from your LightTouch! dispenser.



Refreshment Center provides easy access to frequently used items.



Freshness Center™ offers maximum storage flexibility with adjustable humidity controls and temperature controls to keep foods fresher longer.



GE Profile Performance Series™

Dispenser Model

TFX30PBD

- 30.0 cu. ft. capacity • Exclusive Water by Culligan™ NSF Certified
- **Electronic Monitor and Diagnostic System • Refreshment Center**
- 4 ClearLook™ door bins with gallon storage (1 adjustable) • Rounded doors
- Slide-out cantilevered freezer basket
- Available in Bisque



GE Profile Performance Series™

Dispenser Models

TFX30PPD

- **30.0 cu. ft. capacity** • Exclusive Water by Culligan™ NSF Certified • 4 ClearLook™ door bins with gallon storage (3 adjustable) • Rounded doors
- Slide-out cantilevered freezer basket
- Available in Bisque

TFX28PPD (not shown)

- 28.4 cu. ft. capacity • Stainless steel model with trimless rounded doors • 4 ClearLook™ door bins **with gallon storage (2 adjustable)**



GE Profile Performance Series™

Dispenser Models

TFS28PBD

- 28.4 cu. ft. capacity • **Stainless steel model with trimless rounded doors, black handles and black dispenser** • Exclusive Water by Culligan™ NSF Certified
- Electronic Monitor and Diagnostic System
- Refreshment Center • 4 ClearLook™ door bins with gallon storage (1 adjustable)

TFX28PBD (not shown)

- White on white, Black on black or Almond on almond model • Available in Bisque

Not all features available on all models. For additional features, specifications and color availability, refer to page 166.

Side-by-Side Models: 28 to 22 cu. ft.

Side-By-Side Refrigerators

These models include • LightTouch! dispenser • QuickSpace™ shelf • Two slide-out, spill-proof glass shelves • ClearLook™ adjustable door bins • Wire Everwhite slide-out freezer baskets • Freshness Center™ • Beverage rack • Premium Deluxe handles • Improved fresh food interior lighting

Note: bold = feature upgrade from previous model



ClearLook™ adjustable gallon door bins store gallons with ease and flexibility.



LightTouch! dispenser delivers crushed ice, cubes and chilled water through the door.



Quiet Package II features a deluxe sound floor which provides additional insulation against noise.



Improved fresh food interior lighting is now over 25% brighter for improved visibility.



GE Profile Performance Series™

Dispenser Model

TFX28PPD

- **28.4 cu. ft. capacity** • Exclusive Water by Culligan™ NSF Certified • ShelfSaver™
- 4 ClearLook™ door bins with gallon storage (2 adjustable) • Slide-out cantilevered freezer baskets • Available in Bisque • Quiet Package II



GE Profile Performance Series™

Dispenser Models

TFS26PPD

- 25.6 cu. ft. capacity • **Stainless steel model with trimless door, black handles and black dispenser**
- Exclusive Water by Culligan™ NSF Certified • ShelfSaver™ • 4 ClearLook™ door bins with gallon storage (2 adjustable) • Quiet Package II

TFX26PPD (not shown)

- **25.6 cu. ft. capacity** • White on white, Black on black, Almond on almond or Bisque

TFS22PPD (not shown)

- 21.9 cu. ft. capacity • **Stainless steel model with trimless door, black handles and black dispenser**

TFX22PPD (not shown)

- 21.9 cu. ft. capacity • Available in Bisque



GE Profile™

Dispenser Models

TFX26PRD

- **25.6 cu. ft. capacity** • 4 ClearLook™ door bins with gallon storage (2 adjustable) • Quiet Package I

TFX25PAD Non-Dispenser Model (not shown)

- **25.4 cu. ft. capacity**

TFX22PRD (not shown)

- 21.9 cu. ft. capacity

Cooking Products

Microwave Ovens

Dishwashers

Clothes Care

Water Systems

Air Conditioning

Not all features available on all models. For additional features, specifications and color availability, refer to pages 166-167.

Side-By-Side “Z” Series Models: 26 to 22 cu. ft.

These models include • Exclusive Water by Culligan™ • LightTouch! dispenser • Quiet Package I • QuickSpace™ shelf • Four door bins, two adjustable with gallon storage • Snack pan • Adjustable humidity vegetable/fruit crisper • Adjustable temperature meat pan • Two adjustable spill-proof glass shelves • Deluxe handles • Improved fresh food interior lighting

Note: bold = feature upgrade from previous model



Improved fresh food interior lighting is now over 25% brighter for improved visibility.



QuickSpace™ Shelf slides back for storage of tall containers.



Adjustable Humidity Crisper and Adjustable Temperature Meat Pan keep vegetables/fruits fresher longer.



Water by Culligan™ provides cleaner, better-tasting water and ice instantly from your LightTouch! dispenser.



GE

Dispenser Models

TFX26ZPD

- **25.6 cu. ft. capacity**
- Exclusive Water by Culligan™ NSF Certified • Available in Bisque

TFX22ZPD (not shown)

- 21.9 cu. ft. capacity

Side-By-Side “K” Series Models: 26 to 22 cu. ft.

These models include • Quiet Package I • LightTouch! dispenser • Adjustable spill-proof shelves • Adjustable humidity vegetable/fruit crispers • Four modular door bins, two adjustable with gallon storage • Adjustable temperature meat pan • Sliding freezer storage bin • Deluxe handles

Note: bold = feature upgrade from previous model



Quiet Package I reduces noise.



LightTouch! dispenser delivers crushed ice, cubes and chilled water through the door.



GE

Dispenser Models

TFX26KPD

- 25.6 cu. ft. capacity
- **Exclusive Water by Culligan™**

TFX26KRD (not shown)

- **25.6 cu. ft. capacity**

TFX22KPD (not shown)

- 21.9 cu. ft. capacity

- Exclusive Water by Culligan™

TFX22KRD (not shown)

- 21.9 cu. ft. capacity

Side-By-Side "J" Series Models: 20 cu. ft.

These models include • Quiet Package I • Adjustable temperature meat pan • Adjustable glass shelves • Deluxe handles
 • Improved fresh food interior lighting **Note: bold = feature upgrade from previous model**



Quiet Package I reduces noise.



LightTouch! dispenser delivers cubes, crushed ice and chilled water through the door.



GE
 Dispenser Model
TFX20JRB
 • 19.9 cu. ft. capacity
 • **LightTouch! dispenser** delivers cubes, crushed ice and chilled water • Sealed vegetable/fruit crisper
 • 4 fixed door bins, 2 with gallon storage

Non-Dispenser Model
TFX20JAB
 (not shown)
 • 19.7 cu. ft. capacity



Improved fresh food interior lighting is now over 25% brighter for improved visibility.



Fixed Fresh Food Gallon Door Storage provides maximum storage flexibility.

Side-By-Side "S" Series Model: 20 cu. ft.



Fixed Fresh Food Gallon Door Storage provides maximum storage flexibility.



Wire Everwhite Shelves minimize shuffling and restacking of fresh food items.



GE
 Non-Dispenser Model
TFX20SAB
 • 19.7 cu. ft. capacity
 • Quiet Package I
 • Equipped for optional automatic icemaker
 • Two classic white crispers, 1 sealed • 4 fixed fresh food door bins, 2 with gallon storage • Wire Everwhite shelves • Deluxe handles



Quiet Package I reduces noise.



Classic White Crispers provide easy storage of vegetable and fruits.

Not all features available on all models.
 For additional features, specifications and color availability, refer to page 167.

Bottom-Freezer Models: 22 to 18 cu. ft.

These models include • Adjustable humidity vegetable/fruit crispers • Snack pan • Adjustable spill-proof shelves • Wire Everwhite sliding freezer basket • Four modular door bins • Equipped for optional automatic icemaker **Note: bold = feature upgrade from previous model**



Modular Fresh Food Gallon Door Storage provides maximum storage flexibility.



Spill-Proof Shelves help contain spills for ease of cleaning.



ShelfSaver™ provides a new space for odd shapes and sizes.



Clear Crispers with Limited Lifetime Warranty. See page 156 for details.



GE Profile™
Bottom-Freezer Model
TCX22PAC
• 21.7 cu. ft. capacity
• ShelfSaver™



GE Profile™
Bottom-Freezer Models
TCS18PAD
• 17.6 cu. ft. capacity • New Slide 'n Store™ freezer drawer • 2 sliding freezer baskets
TCD18PAD (not shown)
• Color-matched handles



GE Profile™
Bottom-Freezer Model
TCX18PAD
• 17.6 cu. ft. capacity • ShelfSaver™
GE
Bottom-Freezer Model
TCX18IAD (not shown)
• 17.6 cu. ft. capacity

Not all features available on all models. For additional features, specifications and color availability, refer to page 168.

Top-Freezer Models: 25 to 19 cu. ft.

These models include • Quiet Package I • ShelfSaver™ • Condiment Caddy • Quick Store™ bin (not on TBX19PAB)

• Quick Serve™ storage dishes (not on TBX19PAB) • Slide-out, spill-proof adjustable glass shelves • Adjustable humidity vegetable/fruit crispers • Adjustable temperature meat pan • Premium Deluxe handles

Note: bold = feature upgrade from previous model



Quiet Package I reduces noise.



Slide-Out, Spill-Proof Cantilevered Shelf helps contain spills for ease of cleaning.



ShelfSaver™ provides a new space for odd shapes and sizes.



Condiment Caddy offers portable storage from your refrigerator to the table. Keeps condiments organized and easy to access.



GE Profile™

Dispenser Models

TBX25PRB

• **24.7 cu. ft. capacity** • LightTouch! dispenser delivers cubes, crushed ice and water • 4 modular gallon door bins, 3 adjustable • Available in Bisque

TBX22PRB (not shown)

• **21.6 cu. ft. capacity** • **LightTouch! dispenser** delivers cubes, crushed ice and water • Available in Bisque



GE Profile™

TBX25PAB Non-Icemaker Model

• **24.6 cu. ft. capacity** • Equipped for optional automatic icemaker • 4 modular gallon door bins, 3 adjustable • Available in Bisque

TBX22PAB Non-Icemaker Model (not shown)

• **21.6 cu. ft. capacity** • Equipped for optional automatic icemaker • Available in Bisque

TBX22PIB Icemaker Model (not shown)

• **21.6 cu. ft. capacity** • **Equipped with factory-installed Nice Cubes™ icemaker** • Available in Bisque

TBX19PAB Non-Icemaker Model (not shown)

• **19.0 cu. ft. capacity** • Equipped for optional automatic icemaker • 5 modular gallon door bins, 4 adjustable • Available in Bisque

Top-Freezer “Z” Series Models: 22 to 19 cu. ft.

These models include • Adjustable humidity vegetable/fruit crispers • Adjustable split spill-proof glass shelves • Snack pan • Freezer light
 • Baking soda holder • Modular gallon door storage • Deluxe handles **Note: bold = feature upgrade from previous model**



Bright Freezer Interior with new light for easy locating of food.



Adjustable Humidity Window Vegetable/Fruit Crisper keeps vegetables/fruits fresher longer.



**GE Non-Icemaker Model
TBX22ZAB**

• **21.6 cu. ft. capacity** • Equipped for optional automatic icemaker • **5 modular gallon storage door bins, 4 adjustable**



**GE Non-Icemaker Model
TBX19ZAB**

• **19.0 cu. ft. capacity** • Equipped for optional automatic icemaker • **4 modular gallon storage door bins, 3 adjustable**

Top-Freezer “J” Series Models: 24 to 18 cu. ft.

These models include • Adjustable split spill-proof glass shelves • Snack pan • Adjustable humidity vegetable/fruit crispers
 • Fixed gallon door storage • Deluxe handles **Note: bold = feature upgrade from previous model**



Adjustable Spill-Proof Glass Shelves contain spills for ease of cleaning.



Adjustable Humidity Vegetable/Fruit Crispers keep vegetables/fruits fresher longer.



Not all features available on all models.
 For additional features, specifications and color availability, refer to page 169.

GE

TBX21JAB Non-Icemaker Model
 • **20.6 cu. ft. capacity** • Equipped for optional automatic icemaker • **3 fixed door shelves, 2 with gallon storage** • Available in Bisque

TBX21JIB Icemaker Model (not shown)
 • **Equipped with factory-installed Nice Cubes™ icemaker** • Available in Bisque

TBX24JAB Non-Icemaker Model (not shown)
 • **23.6 cu. ft. capacity** • Equipped for optional automatic icemaker • **3 fixed door shelves, 2 with gallon storage** • Available in Bisque

TBX18JAB Non-Icemaker Model (not shown)
 • **18.2 cu. ft. capacity** • Equipped for optional automatic icemaker • **Tall adjustable humidity vegetable/fruit crispers** • **2 enclosed gallon door shelves** • Available in Bisque

TBX18JIB Icemaker Model (not shown)
 • **Equipped with factory-installed Nice Cubes™ icemaker** • Available in Bisque

Top-Freezer "I" Series Models: 21 to 18 cu. ft.

These models include • Snack pan • Clear tall vegetable/fruit crispers • Adjustable glass shelves • Deluxe handles

Note: bold = feature upgrade from previous model



Clear Crispers with limited lifetime warranty. See page 156 for details.



Snack Pan conveniently stores rewrapped meats, cheeses and snacks.



GE Non-Icemaker Model **TBX21IAB**

- **20.6 cu. ft. capacity** • Equipped for optional automatic icemaker • 2 split, 1 full-width glass cabinet shelves • **3 door shelves, 2 with gallon storage** • Tall vegetable/fruit crispers • Full-width freezer shelf • Available in Bisque

TBX21IIB Icemaker Model (not shown)

- Equipped with factory-installed Nice Cubes™ icemaker • Available in Bisque



GE Non-Icemaker Model **TBX18IAD**

- **18.2 cu. ft. capacity** • Equipped for optional automatic icemaker • 2 split, 1 full-width glass cabinet shelves • 2 door shelves with gallon storage • Full-width freezer shelf • Available in Bisque

TBX18IID Icemaker Model (not shown)

- **18.2 cu. ft. capacity** • **Equipped with factory-installed Nice Cubes™ icemaker** • Available in Bisque

Top-Freezer "H" Series Model: 18 cu. ft.



Fixed Gallon Door Storage offers gallon and tall bottle storage.



Adjustable glass shelves in fresh food compartment adjust for storage flexibility.



GE Non-Icemaker Model **TBX18HAC**

- **17.6 cu. ft. capacity**
- Equipped for optional automatic icemaker
- 2 split, 1 full-width glass cabinet shelves
- Snack pan • Clear vegetable/fruit crispers
- Two fixed gallon door storage shelves • Adjustable glass shelves • Deluxe handles • Only 28" wide

Not all features available on all models. For additional features, specifications and color availability, refer to page 170.

Top-Freezer Refrigerators

Cooking Products

Microwave Ovens

Dishwashers

Clothes Care

Water Systems

Air Conditioning

Top-Freezer “D” Series Model:
21 cu. ft.



- GE**
TBX21DAC Non-Icemaker Model
- 20.6 cu. ft. capacity • Equipped for optional automatic icemaker
 - 3 fixed door shelves, 2 with gallon storage • 2 split, 1 full-width wire cabinet shelves • Snack pan • Tall vegetable/fruit crispers
 - Full-width freezer shelf • Deluxe handles

Top-Freezer “T” Series Model:
18 cu. ft.



- GE**
TBX18TAB Non-Icemaker Model
- 17.6 cu. ft. capacity • Snack pan • Equipped for optional automatic icemaker
 - Clear tall vegetable/fruit crispers • Deluxe handles • 2 fixed gallon door storage shelves • Only 28" wide

Top-Freezer “B” Series Model: 18 cu. ft.



Classic White Crispers provide easy storage for vegetables and fruits.



Snack Pan conveniently stores rewrapped meats, cheeses and snacks.



Wire Everwhite Shelves minimize shuffling and restacking of food.



Tall Bottle Storage provides flexible storage for oversized containers.



- GE**
Non-Icemaker Model
TBX18BAD
- 17.6 cu. ft. capacity
 - Snack pan • Equipped for optional automatic icemaker • 1 split glass shelf, 1 split wire shelf and 1 full-width wire shelf • Only 28" wide

Not all features available on all models.
For additional features, specifications and color availability, refer to page 170.

Top-Freezer "S" Series Models: 18 to 10 cu. ft.

These models include • Wire Everwhite shelves • Classic white vegetable/fruit crispers • Tall bottle storage • Deluxe handles

Note: bold = feature upgrade from previous model



Wire Everwhite Shelves minimize shuffling and restacking of food.



Classic White Crispers provide easy storage for vegetables and fruits.



Snack Pan conveniently stores rewrapped meats, cheeses and snacks.



Tall Bottle Storage provides flexible storage for oversized items.



GE TBX18SAB Non-Icemaker Model
 • 18.2 cu. ft. capacity • **Snack pan** • Equipped for optional automatic icemaker • **Fixed gallon door storage** • **2 split, 1 full-width fresh food shelves**

TBX18SIB Icemaker Model (not shown)
 • Equipped with factory-installed Nice Cubes™ icemaker



GE TBX16SIB Icemaker Model
 • 16.4 cu. ft. capacity • **Equipped with factory-installed Nice Cubes™ icemaker**

TBX16SAB Non-Icemaker Model (not shown)
 • Equipped for optional automatic icemaker

TBX16SYB Non-Icemaker Model (not shown)
 • Equipped for optional automatic icemaker
 • Recessed handles



GE TBX14SYB Non-Icemaker Model
 • 14.4 cu. ft. capacity • Equipped for optional automatic icemaker • **Recessed handles**

TBX14SIB Icemaker Model (not shown)
 • **Equipped with factory-installed Nice Cubes™ icemaker** • Color-matched handles

TBX14SAB Non-Icemaker Model (not shown)
 • Equipped for optional automatic icemaker
 • **Color-matched handles**



GE TBX12SAX Non-Icemaker Model
 • 12.1 cu. ft. capacity • 2 Ice 'N Easy trays
 • 2 full-width wire Everwhite cabinet shelves
 • **Equipped for optional automatic icemaker**

TBX10SNB Non-Icemaker Model (not shown)
 • 9.8 cu. ft. capacity • Rounded doors

Not all features available on all models. For additional features, specifications and color availability, refer to page 171.

Top-Freezer Cycle Defrost Refrigerators

These models include • Adjustable Wire Everwhite cabinet shelves • Full-width freezer shelf • Tall bottle storage

Note: bold = feature upgrade from previous model



Wire Everwhite Shelves minimize shuffling and restacking of food.



Full-Width Freezer Shelves for maximum storage flexibility.



GE

Cycle Defrost Models

TDX11SNY

• 11.0 cu. ft. capacity • Full-width vegetable/fruit crisper • 2 modular door bins, 2 stationary shelves
• **3 adjustable cabinet shelves**

TDX9SNY (not shown)

• 9.0 cu. ft. capacity • 2 mini Ice 'N Easy trays • **4 modular door bins, 1 stationary shelf** • 2 adjustable cabinet shelves

Top-Freezer Manual Defrost Refrigerator



Wire Everwhite Shelves minimize shuffling and restacking of food.



Full-Width Crisper provides easy access to fruits and vegetables.



GE

Manual Defrost Model

TAX10SNX

• 9.6 cu. ft. capacity • 2 adjustable wire Everwhite shelves • Full-width vegetable/ fruit crisper • Tall bottle storage



Not all features available on all models.

For additional features, specifications and color availability, refer to page 172.

Compact 6.0 to 1.8 cu. ft. Spacemaker™ Refrigerators

Compact Refrigerators



GE
Compact Model
TAX6SNXWH/WN
• 6.0 cu. ft. capacity • 2 adjustable cabinet shelves • Reversible door • Optional black panel or custom wood panel available with TK6 trim kit • Available in White or Woodgrain



Cooking Products

Microwave Ovens



GE
Compact Model
TAX4SNCWH
• 4.3 cu. ft. capacity • 3 cabinet shelves • Rounded door • Reversible door • Available in White only



GE
Compact Model
TAX4BNCBL
• 4.3 cu. ft. capacity • 2 cabinet shelves • 2-1/2 door shelves • Vegetable/fruit pan • Available in Black only

Dishwashers

Clothes Care



GE
Compact Models
TAX2BNCBL
• 1.8 cu. ft. capacity • 1 slide-out cabinet shelf • 1-1/2 door shelves • Available in Black only
TAX2SNCWH
• 1.8 cu. ft. capacity • 1 slide-out cabinet shelf • 1-1/2 door shelves • Available in White only

Water Systems

Air Conditioning

Not all features available on all models.
For additional features, specifications and color availability, refer to page 172.

Upright Freezers

These models include

- Cabinet shelves
- Adjustable temperature control
- Limited food loss warranty

Note: bold = feature upgrade from previous model



Refrigerated Cabinet Shelves keep items extra cool.



Temperature Monitor with Audible Alarm ensures temperature control.



Slide-Out Bulk Storage Basket for maximum freezer capacity.



Safety Lock provides security.

Not all features available on all models. For additional features, specifications and color availability, refer to page 173.



GE Deluxe Upright Frost-Free Models **FUF20DA**

- 20.3 cu. ft. capacity
- Audible temperature alarm
- Lock
- Power "ON" light
- Slide-out bulk storage basket
- **5 cabinet shelves, 3 adjustable**
- **6 door shelves**

- FUF17DA** (not shown)
- 16.7 cu. ft. capacity
- **4 cabinet shelves, 3 adjustable**
- **5 door shelves**

- FUF14DA** (not shown)
- 13.7 cu. ft. capacity
- 3 cabinet shelves, 2 adjustable



GE Deluxe Upright Manual Defrost Models **FUM17DA**

- 17.1 cu. ft. capacity
- Audible temperature alarm
- Lock
- Power "ON" light
- Slide-out bulk storage basket
- **4 cabinet shelves, 1 adjustable**
- **5 door shelves**

- FUM21DA** (not shown)
- **20.6 cu. ft. capacity**
- **6 door shelves**

- FUM14DA** (not shown)
- 14.1 cu. ft. capacity
- 3 cabinet shelves, 1 adjustable



GE Standard Upright Manual Defrost Models **FUM12SA**

- 11.6 cu. ft. capacity
- 3 cabinet shelves
- 4 door shelves

- FUM14SA** (not shown)
- 14.1 cu. ft. capacity
- 3 cabinet shelves
- 5 door shelves

- FUM17SA** (not shown)
- 17.1 cu. ft. capacity
- 3 cabinet shelves
- 5 door shelves

- FUM21SA** (not shown)
- **20.6 cu. ft. capacity**
- **4 cabinet shelves**
- **6 door shelves**



GE Standard Upright Manual Defrost Models **FUM9SA**

- **8.7 cu. ft. capacity**
- **4 cabinet shelves**
- **5 door shelves**

- FUM5SA** (not shown)
- 5.0 cu. ft. capacity
- Rounded doors
- 2 cabinet shelves
- 3 door shelves

Chest Freezers

These models include

- Adjustable temperature control
- Upfront defrost drain (not on FCM5SA)

Note: bold = feature upgrade from previous model



Lift-Out and Sliding Wire Baskets for easy loading and unloading.



Interior Light brightens for easy access.



GE Chest Freezer Models

FCM20DA

- 19.7 cu. ft. capacity
- 2 lift-out and sliding bulk storage baskets
- Temperature Monitor with audible alarm
- Interior light
- Built-in lock
- Power "ON" light

FCM25DA (not shown)

- **24.9 cu. ft. capacity**
- **3 lift-out and sliding bulk storage baskets**

FCM15DA (not shown)

- 14.8 cu. ft. capacity
- **2 lift-out and sliding bulk storage baskets**



GE Chest Freezer Model

FCM15SA

- 14.8 cu. ft. capacity
- 1 lift-out and sliding bulk storage basket



GE Chest Freezer Models

FCM9SA

- 8.8 cu. ft. capacity
- Adjustable temperature control

FCM9DA (not shown)

- **8.8 cu. ft. capacity**
- 1 lift-out and sliding bulk storage basket
- **Temperature Monitor with audible alarm**
- **Interior light**
- **Built-in lock**

FCM7DA (not shown)

- 7.2 cu. ft. capacity
- 1 lift-out and sliding bulk storage basket



GE Chest Freezer Model

FCM5SA

- 5.0 cu. ft. capacity
- Adjustable temperature control

Not all features available on all models. For additional features, specifications and color availability, refer to page 173.

The GE award-winning Advantium™ oven. Cooking at the speed of life.™



GE's revolutionary oven with Speedcook technology is changing the way America cooks! Using breakthrough technology that harnesses the power of light, the Advantium oven delivers delicious, oven-quality food in an average of one-fourth the time of a conventional oven. Some foods are even cooked up to an extraordinary eight times faster—with no preheating. Years in research and development, the Advantium oven cooks amazingly fast, with *great-tasting results*. Foods not only cook faster with light, but they also retain their natural juices, moisture and good taste. The innovative Advantium oven bakes, broils, browns, roasts, and grills. And it comes preprogrammed with more than 100 of America's favorite dishes. Simply select the preset food, press start and get ready to eat! Welcome to the world of Advantium!

There's an Advantium™ oven designed for every home and lifestyle.



When you choose the award-winning Advantium oven, you not only have a remarkable new way to cook, you also have a wide range of choices to make your kitchen look and perform perfectly. The innovative Advantium wall oven can be installed by itself, over a single conventional wall oven or over a warming drawer. The choice is yours. The above-the-cooktop Advantium oven can be installed over a kitchen counter, range or above-the-cooktop. Both ovens give you a variety of installation choices to suit your kitchen needs. For added convenience, both models convert to a fully-featured 950-watt sensor microwave oven. The Advantium oven is available in Stainless steel, White on white, Bisque, Almond on almond and Black on black. Whatever your preference, the revolutionary Advantium oven has a variety of options to suit your personal needs.

Now you can put home-cooked meals on the table in a fraction of the time it took before.

The pace of life has accelerated dramatically. The Advantium™ oven is especially designed for today's hectic lifestyles. Speedcook technology lets you prepare flavorful, oven-quality meals you never dreamed of cooking during the week.



Today's busy lifestyles demand Advantium. At 4 PM most weekdays, 71 percent of Americans still haven't planned dinner.*



Savory taste and texture. Advantium lets you "go back to the basics" of home-cooked, nutritious meals, but in an average of one-fourth the time of a conventional oven. Try moist, juicy chicken breasts roasted in 9 minutes!

	ADVANTIUM TIME	CONVENTIONAL TIME
Whole Chicken	25	119
Baked Potatoes	10	83
Pepperoni Pizza	10	23.5
Biscuits	5	15.5
Chocolate Chip Cookies	5	16

Favorite foods cook in minutes. Compare Advantium to a conventional oven. No preheating means your total cooking time drops significantly.



The award-winning Advantium™ oven

Grand Award Winner of Popular Science's 1999 "Best of What's New"

Named one of the "Best New Products of 1999" by Business Week

Winner of the KBB Product Innovator Awards Program

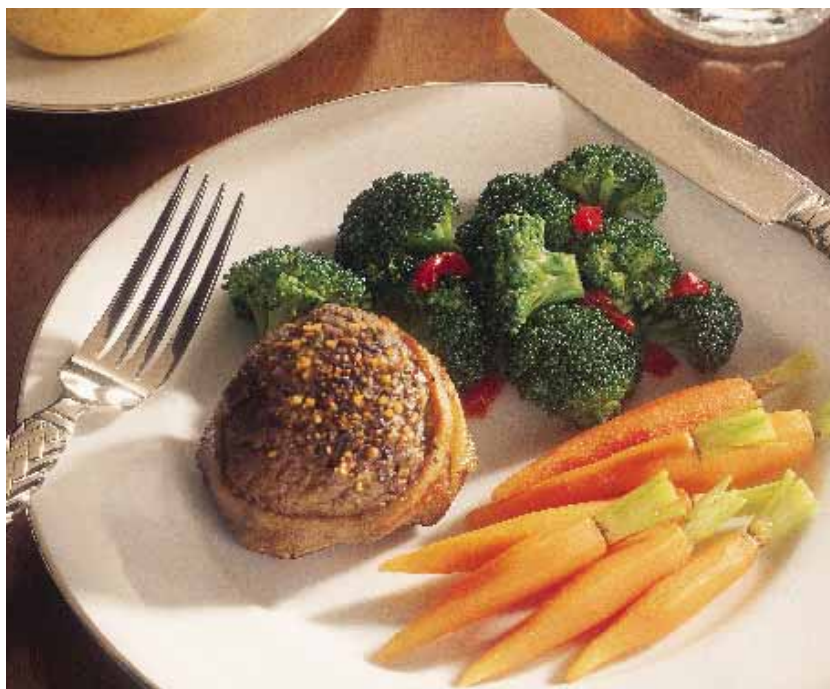
Top Product Pick for 1999 by Building Products

Winner of Design Journal's 1999 "Best of Show"

Winner of Design Journal's 1999 Award for Design Excellence (ADEX)

*Restaurant and Institution magazine, Feb. 15, 1998.

Real food. Real fast. The Advantium™ oven gives you oven-quality food up to eight times faster!



Great tasting food. The Advantium oven bakes, broils, browns, roasts and grills—with no preheating. Speedcook technology cooks so fast that foods retain their natural juices, moisture and good taste. Serve mouth-watering, grill-seared filet mignon in 7 minutes.



Easy to use. Advantium comes preprogrammed with more than 100 of America's favorite foods. Just select your dish, press start and get ready to eat. You can also customize the program to include your own recipes. These are easy controls almost anyone can use—so more people in the family can become home cooks!



Advantium saves money, too. Cooking at home costs less—less than restaurant food, less than pre-cooked gourmet grocery food. You also save because with no preheating and shorter cook times, your kitchen will remain cooler, even in the hot summer months.



Speed. Foods cook in an average of one-fourth the time it takes in a conventional oven. Some foods cook up to an amazing eight times faster—with no preheating. You get a wider variety of food options, even for a busy schedule! Advantium delivers oven-quality food, allowing you more quality family time!



Easy to clean. What's the point of saving time if you have to spend it cleaning up? The oven's stainless steel interior cleans with a simple towel wipe and warm, soapy water.

Refrigeration

Advantium™ Cooking

Microwave Ovens

Dishwashers

Clothes Care

Water Systems

Air Conditioning

Advantium™ Wall Ovens

- These models include** • More than 100 preprogrammed menu items • Cookbook • Cooking guide with tips • Microwave mode
- Four cooking trays: three for speedcooking, one for microwave mode
 - Family-sized oven interior, cleanable stainless steel
 - Complete cooking reminder • Child lockout • Custom recipe saver



GE Profile Performance Series™

Advantium Wall Oven

SCB2000CBB Black on black



GE Profile Performance Series™

Advantium Wall Oven

SCB2000CCC Bisque

SCB2001CSS Stainless steel (not shown)

SCB2000CWW White on white (not shown)

SCB2000CAA Almond on almond (not shown)

Not all features available on all models.
For additional features, specifications
and color availability, refer to page 175.

Advantium™ Above-the-Cooktop Ovens

These models include • More than 100 preprogrammed menu items • Cookbook • Cooking guide with tips • Award-winning design controls and styling • Microwave mode • Four cooking trays: three for speedcooking, one for microwave mode • Family-sized oven interior, cleanable stainless steel • Complete cooking reminder • Child lockout • Custom recipe saver • Full-view cooktop lighting



GE Profile Performance Series™
Advantium Oven
SCA2000BBB Black on black



GE Profile Performance Series™
Advantium Oven
SCA2000BWW White on white
SCA2001BSS Stainless steel (not shown)
SCA2000BCC Bisque (not shown)
SCA2000BAA Almond on almond (not shown)

Not all features available on all models.
For additional features, specifications
and color availability, refer to page 175.

Refrigeration

Advantium™ Cooking

Microwave Ovens

Dishwashers

Clothes Care

Water Systems

Air Conditioning

Performance, versatility and a style you can call your own.





GE leads the way.

GE continues to bring innovation to every aspect of your cooking needs in performance, versatility and style. Looking for more performance? How about a gas cooktop with Maximum Output and Precise Simmer burners? Or a wall oven featuring TrueTemp™—the most accurate oven you can buy! You say versatility is at the top of your list? Take a look at our Bridge Burner cooktop, which creates an elongated cooking area.

And on top of all that extraordinary cooking ability, we offer some of the most sophisticated and appealing looks imaginable. Whether you choose black or white or stainless steel, you're sure to find a suitable combination that will match any cabinetry or decor. So take a look around. Performance. Versatility. Style. All yours—and only from GE.

Exceptional cooking performance with the TrueTemp™ System.



Through advanced technology, GE Wall Ovens feature the innovative design and cooking performance of the TrueTemp™ System. TrueTemp™ offers SmartLogic Electronic Controls that monitor and maintain oven temperature; a Platinum Oven Sensor senses sudden heat loss, and responds with more power; and a powerful bake element (our most powerful ever!), that delivers 3400 watts of even heat distribution. But delivering consistently even oven temperatures is only the beginning.

JT950SA Double Oven

The most accurate oven in America*
is also the most versatile.



These ovens can be installed in a wall or cabinet, or under a counter with a gas or electric cooktop. All GE 30" built-in ovens fit into common cut-out spaces making it easy to replace an installed oven with an upgrade. And the flush installation appearance is the final touch!

But there's still more to tell! Profile Performance Series™ offers professional touches like the Gourmet Shelf, that features "baking stones" as part of the rack. Dough rises more quickly and efficiently with our innovative "proofing" feature. Consistent cooking. Versatile placement. Professional features. GE Wall Ovens deliver in both cooking performance and flexibility.

**Includes all 30" and 27" ovens.*

A GE wall oven can be four ovens in one.



1. Conventional Baking

2. Conventional Broil
(variable temp)

3. Convection Bake

4. Convection Roast

The addition of a convection oven gives you a whole new range of possibilities. Especially since it requires no additional space. With convection cooking, you'll find roasts turn out beautifully brown on the outside, yet tender and juicy on the inside. If you enjoy baking, you'll delight in the way your baked goods maintain their delicate texture while turning a delicious golden brown. On a practical level, convection cooking saves time and allows you to cook at lower temperatures.



GE convection ranges use the European or "true" convection system. The difference between "us and them" is a third dual loop heating element that surrounds the convection fan in the back wall of the oven. This extra fan at the rear of the oven gently circulates heated air evenly throughout the entire oven cavity—under and around the food. The moving air penetrates foods faster than stationary air.

And all of them are easy to clean.



The joy is in the cooking. Not in cleaning-up afterwards! That's why GE pays so much attention to "Cleanability." GE's remarkable CleanDesign wall oven is a superb example of this. CleanDesign starts with a *clean design*, meaning there are no hard to clean protrusions, corners and crevices. Instead, the surface is smooth. Virtually seamless. There are no endcaps on the control panel or on the handles. Further, the continuous surface design has no hard edges or overlaps where dirt and grease can "catch" and accumulate. Consequently, clean-up is a snap. And of course, the oven itself is self-cleaning.

Amazingly easy to operate, too.



GE's SmartSet Electronic controls are simple to understand and simple to operate. Just read and touch.



Setting the time and temperature is easy. Digipads are numbered 1 through 0. For example, if you want to bake at 350°, you press 3...5...0... then press Start.



Centigrade or Fahrenheit, it's your choice.



GE touch pads make time and temperature adjustment easy. Increase or decrease temperature or time with a touch of the finger.



It's easy to convert from conventional oven to convection, and vice versa. Convection cooking generally requires less time and lower temperatures. But don't worry about it. GE's SmartSet Controls will automatically make the adjustments for you.



Seven Rack Baking. A GE Exclusive!

The oven comes equipped with three racks. But with the convection oven, you should consider buying up to four additional racks. You can get superb results with as many as seven racks. This means you can bake several sheets of cookies at the same time, with all of them turning out evenly cooked and browned. If you have a big crowd coming over, you can actually bake 14 nine-inch pizzas at once.

Built-In Double Ovens: 30" Electric

These models include

- Flush appearance installation • Fits most 30" cabinets • TrueTemp™ System • SmartSet Electronic Controls
- Control lock capability
- Frameless glass oven doors • Exclusive Big View windows • Upfront interior oven lights

Note: bold = feature upgrade from previous model

Convection Upper/Self-Clean Lower



GE Profile Performance Series™

30" Built-In Double Oven

JT950SA Stainless steel

- CleanDesign oven interior
- Integrated designer handles

Convection Upper Oven

- Extra-large self-cleaning oven with Delay Clean option • Convection Bake • Convection Roast • Three oven racks
- **Gourmet Shelf** • Exclusive 7 embossed rack positions • Roasting rack • Variable broil • Automatic meat thermometer

• Proofing option

Thermal Lower Oven

- Extra-large self-cleaning oven with Delay Clean option • Two oven racks
- 6 embossed rack positions

ONLY GE HAS IT!



TrueTemp™ System
"The Most Accurate Oven in America."



Dough rises more quickly and efficiently with our new Proofing option.

ONLY GE HAS IT!



Exclusive Gourmet Shelf features "baking stones" as part of the rack.



GE Profile Performance Series™

30" Built-In Double Oven

JT950CA Bisque

JT950WA White on white (not shown)

JT950AA Almond on almond (not shown)

JT950BA Black on black (not shown)



GE Profile™

30" Built-In Double Oven

JTP56WA White on white

- CleanDesign oven interior • Integrated designer handles • Control lock capability

Convection Upper Oven

- Extra-large self-cleaning oven with Delay Clean option • **Convection Bake** • **Convection Roast**
- **Three oven racks** • **Exclusive 7 embossed rack positions** • **Roasting rack** • **Eight-pass bake element** • Variable broil • **Automatic meat thermometer**

Thermal Lower Oven

- Extra-large self-cleaning oven with Delay Clean option • **Two oven racks** • **6 embossed rack positions**

JTP56AA Almond on almond (not shown)

JTP56BA Black on black (not shown)

Not all features available on all models. For additional features, specifications and color availability, refer to pages 176-177.

Self-Clean (Both Ovens)



GE Profile™

30" Built-In Double Oven

JTP47SC Stainless steel

- Extra-large self-cleaning ovens with Delay Clean option • **Integrated designer handles** • Variable broil
- Two oven racks (each oven) • Six embossed rack positions



True convection ovens provide even cooking and superior baking results.

Self-Clean (Both Ovens)



GE

30" Built-In Double Oven

JTP45WA White on white

- Extra-large self-cleaning ovens with Delay Clean option • Sure Grip designer-style handles • Variable broil • Two oven racks (each oven) • Six embossed rack positions

JTP45BA Black on black (not shown)

Self-Clean Upper/Standard Lower



GE

30" Built-In Double Oven

JTP27BA Black on black

- Sure Grip designer-style handles • Six embossed rack positions (both ovens)

Upper Oven

- Extra-large self-cleaning oven with Delay Clean option • SmartSet Electronic Controls • Control lock capability • Variable broil • Two oven racks

Lower Oven

- Extra-large standard clean oven • Rotary controls
- Two oven racks

JTP27WA White on white (not shown)



Fast and easy cleanup is made possible through our new CleanDesign oven interior.



CleanDesign wall ovens have a smooth seamless surface, making cleanup easier than ever.



Exclusive Seven Rack Baking provides more usable shelf capacity.

Not all features available on all models. For additional features, specifications and color availability, refer to pages 176-177.

Built-In Double Ovens: 30" and 27" Electric

These models include

- Flush appearance installation
- Frameless glass oven doors

Note: bold = feature upgrade from previous model



Sensor Microwave Cooking Controls take the guesswork out of cooking your favorite foods.



True convection ovens provide even cooking and superior baking results.



SmartSet Electronic Controls are simple to understand and easy to use.

Microwave Upper/Convection Lower



GE Profile™

30" Built-In Double Oven

JTP95WA White on white

- Fits most 30" cabinets
- SmartSet Electronic Controls
- Upfront interior oven lights

Microwave Upper Oven

- 1.6 cu. ft. cavity
- Sensor Cooking Controls for Auto Cook and Reheat
- Auto Defrost
- Turntable
- 1000 watts

Convection Lower Oven

- Self-cleaning oven with Delay Clean option
- **CleanDesign oven interior**
- **Convection Bake**
- **Convection Roast**
- **Three oven racks**
- **Exclusive 7 embossed rack positions**
- **Roasting rack**
- Variable broil
- **Automatic meat thermometer**
- **Integrated designer handle**
- Exclusive Big View window
- Control lock capability

JTP95BA Black on black (not shown)

Microwave Upper/Self-Clean Lower



GE

30" Built-In Double Oven

JTP85WA White on white

- Fits most 30" cabinets
- SmartSet Electronic Controls
- Upfront interior oven lights

Microwave Upper Oven

- 1.6 cu. ft. cavity
- Sensor Cooking Controls for Auto Cook and Reheat
- Auto Defrost
- Turntable
- 1000 watts

Lower Oven

- Self-cleaning oven with Delay Clean option
- Variable broil
- Two oven racks
- Six embossed rack positions
- Exclusive Big View window
- Designer-style handle
- Control lock capability

JTP85BA Black on black (not shown)



GE

27" Built-In Double Oven

JKP85BA Black on black

- Fits most 27" cabinets

Microwave Upper Oven

- 1.6 cu. ft. cavity
- Auto Roast
- Auto Cook
- Auto Defrost
- Double Duty™ shelf

Lower Oven

- Self-cleaning oven with automatic oven door lock
- Two oven racks
- Designer-style handle
- Electronic oven control
- Variable broil
- Audible preheat signal
- Electronic clock and kitchen timer
- Delay Bake option

JKP85WA White on white (not shown)

Not all features available on all models.
For additional features, specifications and color availability, refer to pages 176-177, 180-181.

Built-In Double Ovens: 27" Electric

These models include

- Flush appearance installation • Fits most 27" cabinets • TrueTemp™ System • SmartSet Electronic Controls
- Control lock capability
- Frameless glass oven doors • Exclusive Big View windows

Note: bold = feature upgrade from previous model



True convection ovens provide even cooking and superior baking results.

ONLY GE HAS IT!



TrueTemp™ System
"The Most Accurate Oven in America"

ONLY GE HAS IT!



Exclusive Gourmet Shelf features "baking stones" as part of the rack.

Convection Upper/Self-Clean Lower



GE Profile Performance Series™
27" Built-In Double Oven
JK950AA Almond on almond

GE Profile Performance Series™ 27" Built-In Double Oven

- JK950WA** White on white
- CleanDesign oven interior
 - Integrated designer-style handles

Convection Upper Oven

- Large self-cleaning oven with Delay Clean option
- Convection Bake • Convection Roast • Three oven racks • **Gourmet Shelf** • Roasting rack
- Variable broil • Automatic meat thermometer
- **Proofing option**

Thermal Lower Oven

- Large self-cleaning oven with Delay Clean option
- Two oven racks



GE Profile Performance Series™
27" Built-In Double Oven
JK950BA Black on black
JK950CA Bisque (not shown)

Refrigeration

Built-In
Cooking Products

Microwave Ovens

Dishwashers

Clothes Care

Water Systems

Air Conditioning

Not all features available on all models. For additional features, specifications and color availability, refer to pages 180-181.

Built-In Double Ovens: 27" Electric

These models include • Flush appearance installation • Fits most 27" cabinets • TrueTemp™ System • Frameless glass oven doors
 • Exclusive Big View windows **Note: bold = feature upgrade from previous model**

ONLY GE HAS IT!



TrueTemp™ System
 "The Most Accurate Oven
 in America."



True convection ovens
 provide even cooking and
 superior baking results.

Convection Upper/Self-Clean Lower



GE Profile™

27" Built-In Double Oven

JKP56BA Black on black

• **CleanDesign oven interior** • SmartSet Electronic Controls • **Integrated designer handles**

Convection Upper Oven

• Large self-cleaning oven with Delay Clean option
 • **Convection Bake** • **Convection Roast** • **Three oven racks** • **Roasting rack** • Variable broil • **Automatic meat thermometer**

Thermal Lower Oven

• Large self-cleaning oven with Delay Clean option
 • **Two oven racks**

JKP56WA White on white (not shown)

JKP56AA Almond on almond (not shown)

Self-Clean (Both Ovens)



Self-Clean Upper/Standard Lower



Flush Installation Appearance
 integrates into cabinetry and
 makes cleanup easy.



SmartSet Electronic Controls
 are simple to understand and
 easy to use.

GE

27" Built-In Double Oven

JKP45WA White on white

• **Two large self-cleaning ovens with Delay Clean option** • **SmartSet Electronic Controls** • **Sure Grip designer-style handles** • **Two oven racks (each oven)**

JKP45BA Black on black (not shown)

GE

27" Built-In Double Oven

JKP27WA White on white

• **Sure Grip designer-style handles**

Upper Oven

• Large self-cleaning oven with Delay Clean option
 • **SmartSet Electronic Controls** • **Control lock capability** • **Variable broil** • **Two oven racks**

Lower Oven

• Large standard clean oven • **Rotary control**
 • **Two oven racks**

JKP27BA Black on black (not shown)

Not all features available on all models.
 For additional features, specifications and
 color availability, refer to pages 180-181.

Built-In Single Ovens: 30" Electric

These models include • Flush appearance installation • Fits most 30" cabinets • TrueTemp™ System • CleanDesign oven interior • SmartSet Electronic Controls • Control lock capability • Frameless glass oven door • Exclusive Big View window • Upfront interior oven light

Note: bold = feature upgrade from previous model

ONLY GE HAS IT!



TrueTemp™ System
"The Most Accurate Oven in America."

Self-Clean Convection



GE Profile Performance Series™

30" Built-In Single Oven

JT910SA Stainless steel

- Integrated designer handle • Extra-large self-cleaning oven with Delay Clean option
- Convection Bake • Convection Roast
- Three oven racks • **Gourmet Shelf**
- Exclusive 7 embossed rack positions
- Roasting rack • Variable broil • Automatic meat thermometer • **Proofing option**



True convection ovens provide even cooking and superior baking results.

ONLY GE HAS IT!



Exclusive Seven Rack Baking provides more usable shelf capacity.

Installation Flexibility

30" wall ovens can be installed in a wall or most 30" cabinets, or under-counter installation with either a gas or electric cooktop above. See pages 172 and 173 for approved cooktop use.



GE Profile Performance Series™

30" Built-In Single Oven

JT910WA White on white

JT910AA Almond on almond (not shown)

JT910BA Black on black (not shown)



GE Profile Performance Series™

30" Built-In Single Oven

JT910CA Bisque

Not all features available on all models. For additional features, specifications and color availability, refer to pages 178-179.

Built-In Single Ovens: 30" Electric

These models include • Flush appearance installation • Fits most 30" cabinets • TrueTemp™ System • SmartSet Electronic Controls • Frameless glass oven door • Exclusive Big View window • Upfront interior oven light • Control lock capability

Note: bold = feature upgrade from previous model



True convection ovens provide even cooking and superior baking results.



Exclusive Seven Rack Baking provides more usable shelf capacity.



Fast and easy cleanup is made possible through our new CleanDesign oven interior.

Installation Flexibility

30" wall ovens can be installed in a wall or most 30" cabinets, or under-counter installation with either a gas or electric cooktop above. See pages 176 and 177 for approved cooktop use.

Self-Clean Convection



GE Profile™

30" Built-In Single Oven

JTP18BA Black on black
 • Integrated designer handle • Extra-large self-cleaning oven with Delay Clean option
 • **CleanDesign oven interior** • **Convection Bake** • **Convection Roast** • **Three oven racks** • **Exclusive 7 embossed rack positions**
 • Roasting rack • Variable broil
 • **Eight-pass bake element** • **Automatic meat thermometer**

JTP18WA White on white (not shown)

JTP18AA Almond on almond (not shown)

Self-Clean



GE Profile™

30" Built-In Single Oven

JTP17SC Stainless steel
 • **Integrated designer handle** • Extra-large self-cleaning oven with Delay Clean option
 • **Two oven racks** • **Six embossed rack positions**

Self-Clean



GE

30" Built-In Single Oven

JTP15WA White on white
 • Sure Grip designer-style handle • Extra-large self-cleaning oven with Delay Clean option • **Two oven racks** • **Six embossed rack positions**

JTP15AA Almond on almond (not shown)

JTP15BA Black on black (not shown)

Not all features available on all models. For additional features, specifications and color availability, refer to pages 178-179.

Built-In Single Ovens: 27" Electric

These models include • Flush appearance installation • Fits 27" cabinets • SmartSet Electronic Controls • Frameless glass oven door
 • Big View window • Control lock capability (except model JKS05BA) **Note: bold = feature upgrade from previous model**



True convection ovens provide even cooking and superior baking results.



Flush Installation Appearance integrates into cabinetry and makes cleanup easy.



Exclusive Gourmet Shelf features "baking stones" as part of the rack.

Installation Flexibility

27" wall ovens can be installed in a wall or 27" cabinet, or undercounter installation with either a gas or electric cooktop above. See pages 178 and 179 for approved cooktop use.

Not all features available on all models. For additional features, specifications and color availability, refer to pages 182-183.

Self-Clean Convection



GE Profile Performance Series™

27" Built-In Single Oven

JK910WA White on white

- Integrated designer handle • TrueTemp™ System
- Large self-cleaning oven with Delay Clean option
- CleanDesign oven interior • Convection Bake
- Convection Roast • Three oven racks • **Gourmet Shelf** • Roasting rack • Variable broil • Automatic meat thermometer • **Proofing option**

JK910CA Bisque (not shown)

JK910AA Almond on almond (not shown)

JK910BA Black on black (not shown)

Self-Clean



GE

27" Built-In Single Oven

JKP15WA White on white

- **TrueTemp™ System** • **Sure Grip designer-style handle** • **Large self-cleaning oven with Delay Clean option** • **Six-pass bake element** • Two oven racks

JKP15AA Almond on almond (not shown)

JKP15BA Black on black (not shown)



GE Profile™

27" Built-In Single Oven

JKP18WA White on white

- TrueTemp™ System • Large self-cleaning oven with Delay Clean option • **CleanDesign oven interior** • **Convection Bake** • **Convection Roast** • **Three oven racks** • **Roasting rack** • Variable broil • **Automatic meat thermometer** • **Integrated designer-style handle**

JKP18AA Almond on almond (not shown)

JKP18BA Black on black (not shown)

Standard Clean



GE

27" Built-In Single Oven

JKS05BA Black on black

- **Sure Grip designer-style handle** • Large standard clean oven • Two oven racks

Refrigeration

Built-In Cooking Products

Microwave Ovens

Dishwashers

Clothes Care

Water Systems

Air Conditioning

Built-In Double and Single Ovens: 24" Electric

These models include

- Fits most 24" cabinets
- SmartSet Electronic Controls • Frameless glass oven doors • Designer-style handles • Two oven racks (each oven)

Note: bold = feature upgrade from previous model



SmartSet Electronic Controls are simple to understand and easy to use.



GE
24" Built-In Double Oven
JRP24BW Black on black
Upper Oven

- Self-cleaning oven with Delay Clean option
- SmartSet Electronic Controls • Control lock capability • Start pad • Delay Bake option with Cook & Hold • Variable broil

Lower Oven

- Standard clean oven • Rotary controls



GE
24" Built-In Single Oven

- JRP15WW** White on white
- **Self-cleaning oven with Delay Clean option**
 - Variable broil • Control lock capability • Start pad
 - Delay Bake option with Cook & Hold

JRP15BW Black on black (not shown)

JRS04BW Black on black

- Standard clean oven • Variable broil • Start pad
- Delay Bake option with Cook & Hold

Built-In Single Ovens: 24" Gas

These models include

- Fits most 24" cabinets
- SmartSet Electronic Controls • Electronic pilotless ignition
- Frameless glass oven door
- Designer-style handle

Note: bold = feature upgrade from previous model



Self-Clean Ovens provide easy clean convenience. Simply set the controls and the oven cleans itself.

Not all features available on all models. For additional features, specifications and color availability, refer to pages 182-183.



GE
24" Built-In Single Oven

- JGRP17WEW** White on white
- **Self-cleaning oven with Delay Clean option**
 - **Control lock capability** • **In-oven broiling**
 - **Storage drawer**

JGRP17BEW Black on black (not shown)



GE
24" Built-In Single Oven

- JGRS14BEW** Black on black
- Standard clean oven • Separate broiler drawer

Built-In Warming Drawers: 30" and 27" Electric

These models include • Flush appearance installation • Temperature control with Proof, Low, Medium and High settings • Crisp/Moist humidity control • ON/OFF switch • "ON" indicator light • One-half rack • Frameless drawer front • Integrated designer-style handle

• Removable stainless steel drawer pan • 5-piece commercial pan set (available at additional cost) **Note: bold = feature upgrade from previous model**



Half Rack provides even heat distribution and allows extra space to keep food warm and tasty before serving.



Warming Drawer keeps plates warm, ready and waiting to serve that special meal.



Hidden Temperature Control has Proof, Low, Medium and High settings for warming flexibility.



GE Profile Performance Series™

Built-In Warming Drawer

JTD910SB Stainless steel

• 30" width

JKD910SB Stainless steel (not shown)

• 27" width



GE Profile Performance Series™

Built-In Warming Drawer

JTD910CB Bisque

• 30" width

JKD910CB Bisque (not shown)

• 27" width



GE Profile Performance Series™

Built-In Warming Drawer

JTD910WB White on white

• 30" width

JTD910AB Almond on almond (not shown)

• 30" width

JTD910BB Black on black (not shown)

• 30" width

JKD910WB White on white (not shown)

• 27" width

JKD910AB Almond on almond (not shown)

• 27" width

JKD910BB Black on black (not shown)

• 27" width

Not all features available on all models. For additional features, specifications and color availability, refer to page 185.

A full range of cooktops—distinctive in style, versatile in cooking performance, available in electric and gas.



Sophisticated electric cooktops that cater to your taste.

To give you a flavor for the style and performance of GE built-in electric cooktops, let's begin with our GE Profile Performance 36" models. This CleanDesign cooktop has five ribbon elements of varying sizes, plus a bridge burner that connects two 7" elements to create an elongated cooking area. The elegance of the frameless design is accentuated by the flush-mount installation, which places cooktop and countertop at the same level. GE offers a broad selection of built-in electric cooktops: 30" and 36" glass-ceramic models, as well as 30" and 36" induction, and electric coil cooktops. No matter which you choose, you'll appreciate the convenience, cleanability, and cooking performance brought to you by GE.

CleanDesign cooktops can be installed flush with the countertop creating a stunning visual effect.



Sealed burners help contain spills from dripping beneath the cooktop.

Innovative features make GE Gas Cooktops a smart choice.

If you're looking for a high-performance built-in gas cooktop that can deliver Precise Simmer and Maximum Output, you've come to the right place. For starters, there's the matter of cleanability. On most GE gas cooktops, the burners are sealed to the cooktop to help contain spills. Clean-up is simply a matter of wiping the burner wells with a damp sponge. We've addressed the matter of temperature control as well, with a precise simmer burner that holds delicate foods and sauces to a low 700 BTU setting. At the opposite end of the spectrum, the maximum output burner provides the fast heat-up and high power needed for the wok or the lobster pot. Whether you choose a five-burner stainless steel cooktop from the GE Profile Performance Series™, or any of our other 30" and 36" gas models, you'll see why GE is the leader when it comes to cooking with gas.

Built-In Cooktops: 36" and 30" Electric CleanDesign

These models include • Smooth-surface glass-ceramic CleanDesign cooktop • Fingerprint and scratch resistant patterned glass cooktop

Note: bold = feature upgrade from previous model



Flush Mount Installation creates a stunning visual effect.

(Not available on stainless steel models)



Bridge Element for total cooking flexibility.



Ribbon Heating Elements direct heat straight up to the pan, providing even heat for uniform cooking.



GE Profile Performance Series™ 36" Built-In CleanDesign Electric Cooktop

JP960TB White on white
• Frameless true white cooktop • **Five ribbon heating elements: one 6", one 7", one dual (6"/9") and two 7" with connecting bridge burner** • **Five hot surface indicator lights** • Flush mount installation capability



GE Profile Performance Series™ 36" Built-In CleanDesign Electric Cooktop

JP960CA Bisque
• Frameless cooktop • **Five ribbon heating elements: one 6", one 7", one dual (6"/9") and two 7" with connecting bridge burner** • **Five hot surface indicator lights** • Flush mount installation capability



GE Profile Performance Series™ 36" Built-In CleanDesign Electric Cooktop

JP960SA Stainless steel
• Frameless cooktop • **Five ribbon heating elements: one 6", one 7", one dual (6"/9") and two 7" with connecting bridge burner** • **Five hot surface indicator lights**

JP960WA White on white (not shown)
• Flush mount installation capability

JP960AA Almond on almond (not shown)
• Flush mount installation capability

JP960BA Black on black (not shown)
• Flush mount installation capability



GE Profile Performance Series™ 30" Built-In CleanDesign Electric Cooktop

JP930TB White on white
• Frameless true white cooktop • **Four ribbon heating elements: one 6", one dual (6"/9") and two 7" with connecting bridge burner** • **Four hot surface indicator lights** • Flush mount installation capability

Not all features available on all models. For additional features, specifications and color availability, refer to page 186.

**GE Profile Performance Series™**

30" Built-In CleanDesign Electric Cooktop

JP930BA Black on black

- Frameless cooktop • Four ribbon heating elements: one 6", one dual (6"/9") and **two 7" with connecting bridge burner** • Four hot surface indicator lights
- Flush mount installation capability

JP930SA Stainless steel (not shown)**JP930WA** White on white (not shown)

- Flush mount installation capability

JP930CA Bisque (not shown)

- Flush mount installation capability

JP930AA Almond on almond (not shown)

- Flush mount installation capability

**GE Profile™**

30" Built-In CleanDesign Electric Cooktop

JP350TB White on white

- Frameless true white cooktop • Four ribbon heating elements: **one dual (6"/9")**, two 8" and one 6" • **Four hot surface indicator lights** • Flush mount installation capability

**GE Profile™**

30" Built-In CleanDesign Electric Cooktop

JP350WA White on white

- Frameless cooktop • Four ribbon heating elements: **one dual (6"/9")**, two 8" and one 6" • **Four hot surface indicator lights** • Flush mount installation capability

JP350AA Almond on almond (not shown)**JP350BA** Black on black (not shown)**GE**

30" Built-In CleanDesign Electric Cooktop

JP340BA Black on black

- Frameless cooktop • Four ribbon heating elements: two 6" and two 8" • Surface "ON" light • Flush mount installation capability

JP340WA White on white (not shown)

Not all features available on all models.
For additional features, specifications
and color availability, refer to page 186.

Built-In Cooktops: 36" and 30" Electric Coil

These models include • Porcelain-enameled lift-up cooktop • Two 8" and two 6" plug-in Calrod® heating elements
• Infinite heat rotary controls **Note: bold = feature upgrade from previous model**



GE

36" Built-In Electric Cooktop

JP626WV White on white

• One-piece chrome drip bowls • **Upfront white glass control panel**

JP626AV Almond on almond (not shown)



GE

30" Built-In Electric Cooktop

JP326BV Black on black

• One-piece drip bowls • Black glass control panel

JP326WV White on white (not shown)

JP326AV Almond on almond (not shown)

JP326CV Brushed-chrome (not shown)

Built-In Cooktops: 21" Compact



GE

21" Built-In Electric Cooktop

JP201CB Stainless steel

• One 8" and one 6" plug-in heating elements

• Infinite heat rotary controls • Removable one-piece chrome drip bowls • Heating element "ON" indicator light

JP200V White porcelain-enameled (not shown)

(Available in White only)

Built-In Cooktops: Downdraft Electric

These models include • Four ribbon heating elements: one 6", one dual (6"/9") and two 7" with connecting bridge burner
 • Four hot surface indicator lights • Powerful downdraft venting system • Three-speed fan • Up-front controls



GE Profile Performance™
 30" Downdraft Electric Cooktop
JP989TD True white
 • Frameless true white cooktop
JP989WD White on white (not shown)



GE Profile Performance™
 30" Downdraft Electric Cooktop
JP989CD Bisque
 • Frameless patterned bisque cooktop



GE Profile Performance™
 30" Downdraft Electric Cooktop
JP989BD Black on black
 • Frameless patterned black cooktop

Not all features available on all models.
 For additional features, specifications and
 color availability, refer to pages 188-189.

Built-In Cooktops: 36" and 30" Gas

These models include • Sealed burners (except JGP320EV) • Electronic pilotless ignition

Note: bold = feature upgrade from previous model



Sealed Burners help contain spills from dripping beneath cooktop for easy cleanup.



GE Profile™

36" Built-In Gas Integrated Downdraft Cooktop

JGP656BB Black on black
 • Tempered glass cooktop • Continuous cast grates • **350 CFM retractable downdraft venting system** • **Upfront variable speed fan control** • Use optional GE accessory cover (JXBC57) for outdoor installation of blower and motor • **JXBA56WW or JXBA56BB Downdraft Venting Kit** required for installation • **Remote blower installation kit** available • **JXRB57** for installation of blower and motor below the floor

JGP656WB White on white (not shown)

GE Profile Performance Series™

36" Built-In Gas Cooktop

JGP960SEA Stainless steel
 • Tempered glass cooktop • Deluxe cast grates • Five sealed burners • Two Precise Simmer burners • Maximum Output burner
 Shown with JVB96SA telescopic downdraft vent.



Precise Simmer Burner provides more temperature control with low 700 BTU setting.



GE Profile™

36" Built-In Gas Cooktop

JGP636BEV Black on black
 • Tempered glass cooktop • **Deluxe cast grates** • Five sealed burners • Two Precise Simmer burners • **Maximum Output burner**

JGP636WEV White on white (not shown)

JGP636CEV Bisque (not shown)

JGP636AEV Almond on almond (not shown)



Maximum Output Burners have high power performance making cooking convenient.



GE

36" Built-In Gas Cooktop

JGP626WEV White on white
 • Porcelain-enameled cooktop • Precise Simmer burner • Standard cast grates

JGP626AEV Almond on almond (not shown)

JGP626BEV Black on black (not shown)



Not all features available on all models. For additional features, specifications and color availability, refer to pages 190-191.



GE Profile Performance Series™

30" Built-In Gas Cooktop

JGP930SEA Stainless steel

- Tempered glass cooktop • **Deluxe cast grates** • Precise Simmer burner
- Maximum Output burner



GE Profile™

30" Built-In Gas Cooktop

JGP336CEV Bisque

- Tempered glass cooktop • Precise Simmer burner • Maximum Output burner

JGP336WEV White on white (not shown)

JGP336AEV Almond on almond (not shown)

JGP336BEV Black on black (not shown)



GE

30" Built-In Gas Cooktop

JGP326BEV Black on black

- Sealed burners • Precise Simmer burner
- Standard cast grates

JGP326WEV White on white (not shown)

JGP326AEV Almond on almond (not shown)



GE

30" Built-In Gas Cooktop

JGP320EV White or black

- Lift-up cooktop • Glass control panel
- Standard porcelain steel grates

Built-In Cooktops: Downdraft Electric Select-Top™ Modular

These models include • Infinite heat rotary controls • Powerful downdraft venting system • Heating element “ON” indicator light

Note: bold = feature upgrade from previous model

Optional Select-Top™ Modules (available at additional cost)



Grill Module
Front and rear controlled heating element for more cooking flexibility and energy savings. One-piece grill grate and porcelain-enameled reflector pan can be removed for cleaning in sink or dishwasher.



Griddle Accessory
(For use with optional grill module) Place over heating element and reflector pan from optional grill module. Griddle accessory has a non-stick coating and is self-draining.



Ribbon Module
Patterned glass top with one 8" and one 6" ribbon heating element.



Calrod® Module
One 8" and one 6" plug-in Calrod® heating element with removable one-piece drip bowls.

Grill Cover (not shown)
Covers grill area when not in use. Available in Black on black and White on white.



GE Profile™
30" Dual Modular Cooktop JP389WV White on white
• 3-speed fan • Porcelain-enameled cooktop
• Both sides accept optional cooking modules
Shown with optional Ribbon module JXDR50VW and Grill module JXDL44N.



GE Profile™
30" Dual Modular Cooktop JP389BV Black on black
• 3-speed fan • Porcelain-enameled cooktop
• Both sides accept optional cooking modules
Shown with optional Ribbon modules JXDR50VB.



GE
30" Single Modular Cooktop JP385WV White
• Porcelain-enameled cooktop • Fixed 6" and 8" plug-in Calrod® heating elements • Left side accepts optional cooking modules
Shown with optional Grill module JXDL44N.



GE
30" Single Modular Cooktop JP385BV Black
• Porcelain-enameled cooktop • Fixed 6" and 8" plug-in Calrod® heating elements • Left side accepts optional cooking modules
Shown with optional Grill module JXDL44N.

JP385CV
Brushed-chrome (not shown)

Optional Modules (available at additional cost)	Models				
	JP389WV	JP389BV	JP385WV	JP385BV	JP385CV
Calrod® Module	JXDC44RWH	JXDC43RBL	JXDC44RWH	JXDC43RBL	JXDC41NBC
Ribbon Module	JXDR50VW	JXDR50VB	JXDR50VW	JXDR50VB	
Grill Module	JXDL44N	JXDL44N	JXDL44N	JXDL44N	JXDL44N
Griddle Accessory	JXDD44R	JXDD44R	JXDD44R	JXDD44R	JXDD44R
Grill Cover	JXDM3	JXDM2	JXDM3	JXDM2	JXDM2

Not all features available on all models.
For additional features, specifications and color availability, refer to pages 192-193.

Built-In Cooktops: Patio Grill



GE

30" Patio Grill

JP380BV Black

- Porcelain-enameled cooktop
- Fixed grill elements each side
- Infinite heat rotary controls
- Powerful downdraft venting system
- Heating element "ON" indicator light
- Optional grill covers (JXDM4) available at additional cost

U.L. approved for outdoor use only.

Built-In Cooktops: Downdraft Gas Modular



GE Profile™

30" Single Modular Gas Cooktop

JGP389WEV White on white

- Fixed standard gas burners (right side)
- Left side accepts optional cooking modules
- Powerful downdraft venting
- Electronic pilotless ignition
- Up-front controls

Shown with optional Grill module JXGG89.

JGP389BEV Black on black (not shown)

Optional Modules

(available at additional cost)

Two-burner gas module for standard burners

JXGB89W—White on white

JXGB89B—Black on black

Gas grill module

JXGG89

Griddle for use with optional Grill module

JXGL89

Grill Cover

JXGC89W—White on white

JXGC89B—Black on black

Common Cooktop Cutouts

Common Cutouts—30" Cooktops

Dimensions (W x D)	Model #	Description
28-1/2" x 19-1/2"	JP930	CleanDesign
	JP350	CleanDesign
	JP340	CleanDesign
	JP326	Calrod®
	JGP930—Gas	Sealed Burner
	JGP336—Gas	Sealed Burner
	JGP326—Gas	Sealed Burner
28-7/8" x 20-5/8"	JP989	Electric Downdraft
	JP389	Modular Downdraft
	JP385	Modular Downdraft
	JP380	Patio Grill

Common Cutouts—36" Cooktops

Dimensions (W x D)	Model #	Description
33-7/8" x 19-1/16"	JP960	CleanDesign
	JP626	Calrod®
	JGP960—Gas	Sealed Burner
	JGP636—Gas	Sealed Burner
	JGP626—Gas	Sealed Burner
34-9/16" x 21"	JGP656—Gas	Sealed Burner Downdraft

Not all features available on all models.
For additional features, specifications and color availability, refer to pages 192-193.

Capture the beauty of stainless with the design versatility of a GE Slide-In Convection Range



The GE Profile Performance™ Stainless slide-in convection range opens the door for ideal design and performance possibilities. GE slide-in ranges have the flexibility to fit perfectly into your kitchen décor. They have the clean look of a built-in appliance, but offer the advantage of a simple slide-in installation.

Our Stainless steel slide-ins and drop-ins make a subtle statement of sophistication, contemporary style and eye-catching appeal. Regardless of your existing cabinetry and specific kitchen décor, stainless is universally versatile and goes great with just about any color or wood finish. Stainless steel will also match conventional appliance colors, including white, bisque, almond and black.

Our ranges feature a sleek and smooth touch-control panel that is designed to a perfect height and angle. The convection baking and roasting feature provides even cooking and superior baking every time. But this is just the beginning. The marriage of innovative design and advanced technology make GE's slide-in and drop-in electric and gas ranges a perfect choice.

Convenient performance features make electric or gas cooking a cinch.



Bridge Element

For total cooking flexibility, the electric range bridge burner gives you the freedom to match longer gourmet pans or skillets to the heating elements, by combining two burners into one. A simple switch will allow you to activate the larger cooking area.



Warming Zone

The warming zone is specifically designed for very low heat cooking, like simmering, preparing sauces and keeping dishes warm and ready to enjoy. This is a perfect option to help you coordinate numerous dishes and serve one fantastic meal.



Touch Control

GE's slide-in and drop-in touch controls are simple to understand and just as easy to operate. Just read and touch. Increase and decrease temperature or time with a soft touch of a finger. Plus, the specially designed control panel is uniquely angled for optimal, user-friendly operation.



Sealed Burners

The gas burners are sealed to the cooktop to help contain spills, making clean-up quick and easy. Power capacities range from low simmer to high output. Gently heat a white sauce on the simmer burner and boil linguine on the maximum-output burner at the same time. The burners are also electronically ignited—no troublesome pilot lights.

Slide-In Ranges: 30" Electric

These models include • SmartSet Electronic Touch Controls • Four hot surface indicator lights • Fingerprint and scratch resistant patterned glass-ceramic CleanDesign cooktop • Self-cleaning oven with Delay Clean option • Integrated designer handle • Control lock capability • Custom built-in look with simple slide-in installation. **Note: bold = feature upgrade from previous model**



SmartSet Electronic Touch Controls are simple to understand and easy to operate. Just read and touch.



The Warming Zone is a great way to keep food warm and ready to enjoy.



Bridge Element for total cooking flexibility.



6"/9" Dual Element saves energy and provides more efficient cooking.



GE Profile Performance™

30" Slide-In CleanDesign Convection Range

JS966SD Stainless steel

• Two 7" ribbon heating elements with connecting bridge element • One dual (6"/9") and one 6" ribbon heating element • **Fifth element warming zone** • Stainless steel oven door with window • Convection bake • Convection roast • **Three heavy-duty racks** • **Halogen interior oven light**

JS966TD True white (not shown)

JS966WD White on white (not shown)

JS966CD Bisque (not shown)

JS966BD Black on black (not shown)



GE Profile™

30" Slide-In CleanDesign Convection Range

JSP56WD White on white

• Two 7" ribbon heating elements with connecting bridge element • One 6" and one dual (6"/9") ribbon heating element • **Convection bake** • **Convection roast**

JSP56CD Bisque (not shown)

JSP56BD Black on black (not shown)



GE Profile™

30" Slide-In CleanDesign Electric Range

JSP46CD Bisque

• Two 8", one 6" and one dual (6"/9") ribbon heating element

JSP46WD White on white (not shown)

JSP46BD Black on black (not shown)

These models include • Lift-up overhanging porcelain-enameled cooktop • Two 8" and two 6" plug-in Calrod® heating elements

• Electronic clock and kitchen timer • Custom built-in look with simple slide-in installation. **Note: bold = feature upgrade from previous model**



GE
 30" Slide-In Electric Coil Range
JSP34AW Almond on almond
 • SmartSet Electronic Controls • Self-cleaning oven with Delay Clean option • Frameless glass oven door with designer-style handle
 • Control lock capability
JSP34WW White on white (not shown)
JSP34BW Black on black (not shown)



GE
 30" Slide-In Electric Coil Range
JSP26BW White or almond
 • SmartSet Electronic Controls • Self-cleaning oven with Delay Clean option • Frameless glass oven door with designer-style handle • Control lock capability



GE
 30" Slide-In Electric Coil Range
JSS26BW Black on black
 • Standard clean oven • Frameless glass oven door with designer-style handle
JSS16PW White or almond (not shown)
 • Standard clean oven • Color-matched oven door
 • Visor handle

Models on this page shown with required filler strip provided.
 All models have black painted side panels.

Slide-In Ranges: 30" Gas

These models include • Electronic pilotless ignition • Frameless glass oven door • Interior oven light • Broiler pan with grid

Note: bold = feature upgrade from previous model



Sealed Burner Design helps contain spills from dripping beneath cooktop for easy cleaning.



Maximum Output Burners have high power performance, making cooking convenient.



Precise Simmer Burner provides more temperature control with a low 700 BTU setting.

Optional Accessory Trim Kits

Enhance the built-in look of these Slide-In Gas ranges with optional accessory trim kits (all models except JGSS05BEA), see page 196.

Models shown with required filler strip provided.

Not all features available on all models. For additional features, specifications and color availability, refer to pages 196-197.



GE Profile™

30" Slide-In Gas Range

JGSP44WEY White on white

• SmartSet Electronic Controls • Self-cleaning oven with Delay Clean option • Sealed burners • Standard simmer burner • **Maximum output burner** • **Deluxe cast grates** • **Sure Grip designer-style handle** • **Glass cooktop** • Storage drawer

JGSP44AEY Almond on almond (not shown)

JGSP44BEY Black on black (not shown)



GE

30" Slide-In Gas Range

JGSP23WEY White on white

• SmartSet Electronic Controls • Sealed burners • **Standard Simmer burner** • **Self-cleaning oven with Delay Clean option** • **Control lock capability** • **White porcelain-enameled cooktop** • **Standard cast grates** • Storage drawer

JGSP23BEY Black on black (not shown)



GE

30" Slide-In Gas Range

JGSS05BEA Black on black

• Extra-large standard clean oven • Black porcelain-enameled lift-up cooktop • Twin rod supports • Separate broiler drawer with extra-large broiler pan and grid • Standard porcelain steel grates

Slide-In Ranges: 30" Downdraft Electric

- These models include** • Powerful downdraft venting system • Two-speed fan • Self-cleaning oven • Glass oven door with window
- Designer-style handle
 - Electronic clock and minute timer
 - Delay Bake option
 - Dual modular porcelain-enameled cooktop
 - Storage drawer (half depth)



GE
30" Downdraft Electric Slide-In Range
JSP69WV White on white
JSP69BV Black on black (not shown)

Modular cooktops allow you to customize the range to suit your convenience and food preparation needs. Downdraft venting allows you to fry, griddle or grill without a vent hood. These ranges are equipped with a grill module, other modules shown are available at additional cost.



Coil Modules
JXGC53W—White on white, JXGC53B—Black on black. One 8" and one 6" plug-in heating element with removable one-piece drip bowls.



Griddle Accessory
JXGL90—(For use with grill module) Place over heating element from grill module. Griddle accessory has a non-stick coating.



Grill Module
JXGG50—Has two-piece, non-stick coated grates for cooking and cleaning convenience. (One included with each range.)



Radiant Module
JXGR63B—Frameless module has patterned glass top with two 7" radiant heating elements.

Not all features available on all models.
For additional features, specifications and color availability, refer to page 197.

Drop-In Ranges: 30" Electric

These models include • SmartSet Electronic Touch Controls • Lift-off oven door • Self-cleaning oven with delay option • Control lock capability

Note: bold = feature upgrade from previous model



SmartSet Electronic Touch Controls are simple to understand and easy to operate. Just read and touch.



The Warming Zone is a great way to keep food warm and ready to enjoy.



Bridge Element for total cooking flexibility.



6"/9" Dual Element saves energy and provides more efficient cooking.



GE Profile Performance™

30" Drop-In Convection Range

JD966SD Stainless steel

- Two 7" ribbon heating elements with connecting bridge element
- One dual (6"/9") and one 6" ribbon heating element
- **Fifth element warming zone**
- Four hot surface indicator lights
- Fingerprint and scratch-resistant glass ceramic CleanDesign cooktop
- **Convection bake**
- **Convection roast**
- **Stainless steel oven door with window**
- Integrated designer handle

JD966TD True white (not shown)

JD966WD White on white (not shown)

JD966CD Bisque (not shown)

JD966BD Black on black (not shown)



GE Profile™

30" Drop-In Electric Range

JDP46CD Bisque

- Two 8", one 6" and one dual (6"/9") ribbon heating element
- **Four hot surface indicator lights**
- **Fingerprint and scratch resistant glass ceramic CleanDesign cooktop**
- **Frameless glass oven door with window**
- Integrated designer handle

JDP46WD White on white (not shown)

JDP46BD Black on black (not shown)



GE

30" Drop-In Electric Range

JDP39BW Black on black

- Lift-up overhanging cooktop
- Two 8" and two 6" plug-in heating elements
- Removable one-piece drip bowls
- Frameless glass oven door with window
- Designer-style handle

JDP39WW White on white (not shown)

Not all features available on all models. For additional features, specifications and color availability, refer to pages 198 and 199.



GE
30" Drop-In Electric Range
JDP36BW White or almond
 • Lift-up overhanging cooktop • Two 8" and two 6" plug-in heating elements
 • Removable one-piece drip bowls
 • Frameless glass oven door with window
 • Designer-style handle
JDS26BW White or almond (not shown)
 • Standard clean oven

Drop-In Spacemaker™ Ranges: 27" Electric

These models include • Lift-up overhanging porcelain-enameled cooktop • One 8" and three 6" plug-in Calrod® heating elements
 • Frameless glass oven door • Big View window • Chrome drip bowls **Note: bold = feature upgrade from previous model**



Electronic Oven Control provides convenient cooking functions.



Calrod® Heating Elements unplug for easy removal of one-piece drip bowls for cleaning and access to the subtop.



GE Profile™
27" Drop-In Electric Range
JMP31WA White on white
 • Self-cleaning oven with automatic oven door lock • Electronic clock and kitchen timer • Auto oven shut-off • **Sure Grip designer-style handle**

Optional Backguards

White, black or almond painted finish is available at additional cost for all models.
 JX27RWH – White, JX27RBK – Black, JX27RAD – Almond



GE
27" Drop-In Electric Range
JMP28BA White or almond
 • **Self-cleaning oven with automatic oven door lock**
 • **Electronic clock and minute timer** • Auto oven shut-off
JMS08BA White or almond (not shown)
 • Standard clean oven • Rotary oven controls

Not all features available on all models. For additional features, specifications and color availability, refer to pages 198-200.

The GE Spectra™ oven is the largest,* most accurate oven in America!

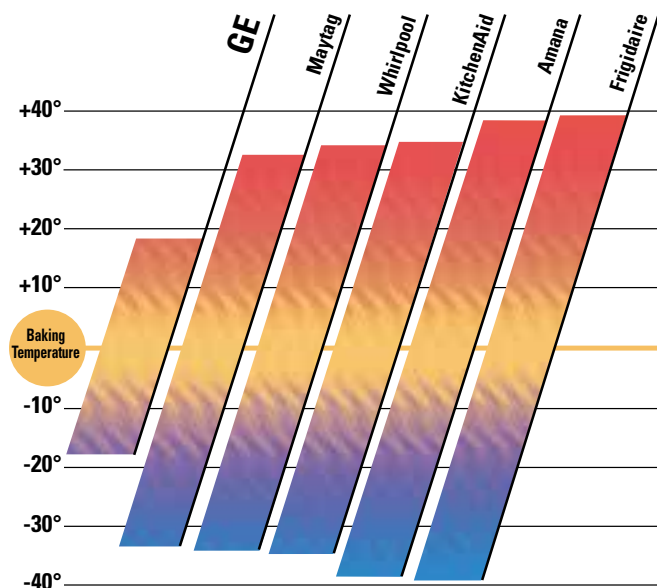


You won't find a larger oven in America! Just imagine, a full 5.0 cubic feet!

This 5.0 cubic foot oven is big enough to handle a large quantity of food for those special occasions. It has 26% more usable space than Whirlpool's largest oven, 28% more than Maytag's and 36% more than Frigidaire's. It also features GE's exclusive six rack capability to accommodate a variety of cookware.

TrueTemp™ is still the most accurate oven in America!

TrueTemp™ electric ranges have the most advanced temperature management system in the industry. Less temperature variance means better oven accuracy which delivers consistent cooking results.



Not all features available on all models.

*Among leading manufacturers' brands.

The GE Spectra™ cooktop gives you more ways to cook great food!



Warming Option

Keeps soups, sauces, breads and pancakes warm, or melts butter and chocolate. Or use this new burner as you would any other cooktop element.



Bridge Burner

GE's exclusive bridge burner, when used with either one or both single elements, allows you to create larger cooking zones for any size cookware.



6"/9" Dual Element

The dual ring element is a small and a large element all in one. It lets you heat the element area that's needed for either a six- or nine-inch pan.

The GE Spectra™ range is easier to clean than ever before!



CleanDesign Interior

As for cleanability, the CleanDesign oven interior conceals the lower oven element under a porcelain-coated steel surface. All you see and clean is a flat, smooth oven surface.

Seamless Backguard

The seamless backguard design provides a sleek appearance and makes cleaning fast and easy. The easy-to-use glass touch controls bring elegance and style to your range.

GE Spectra™ ranges are easy to use.



The oven is self-cleaning, of course. But for most families, 80 percent of the cooking is done on the cooktop. You can see in a glance just how easy it is to wipe the smooth ceramic glass cooktop clean.

STYLISH. Please note the designer handle, frameless, full-width glass oven door, sleek control panel and overall appearance.

ATTRACTIVE. The cooktop's decorator pattern won't wear off under normal use and also helps camouflage any smudges that might occur.

RESPONSIVE. GE's Prompt Response System makes the heating elements come on fast, and then directs the heat straight up to the pan or cookware.

UNIFORM HEAT. Elements are designed to distribute heat uniformly, pulsing on and off to maintain the selected heat level.

PROTECTIVE. Heating elements have a "hot surface" indicator light to let you know when the element is too hot to touch (it continues to work even if the element has been turned off).

DURABLE. The cooktop is made with a specially engineered ceramic glass that has an amazing resistance to both stains and impact.

Don't settle for less than true convection.



GE convection ranges use the European or "true" convection system. The difference between "us and them" is a third dual loop heating element that surrounds the convection fan in the back wall of the oven. This extra fan at the rear of the oven gently circulates heated air evenly throughout the entire oven cavity—under and around the food. The moving air penetrates foods faster than stationary air.



Convection cooking has long been acclaimed as superior by professional chefs and bakers. And no wonder. Roasting time is reduced with more "even" results. Roasts are beautifully browned on the outside, tender and juicy inside.



GE convection ovens deliver exceptional baking results with reduced temperatures (up to 25° less than a conventional oven). Expect your baked goods to maintain their delicate texture while turning a golden brown.

And easy to clean.



The porcelain-enameled subtop is designed with special containment wells for easy clean-up. Wires have all been thoughtfully positioned under the edge of the cooktop so they never interfere with cleaning.

CONTAINMENT. GE's Clean-Well™ cooktops are designed to contain most spills before they reach the subtop.

EXCLUSIVE DESIGN. Only GE has the Clean-Well™ Cooktop. This closer look shows you why clean-up is so simple. First, the high spill rims around the Calrod® elements help contain the spills on top. Second, the plug-in Calrod® elements and the simple one-piece drip bowls are easily removed.

STURDY. Don't worry about the cooktop falling. The torsion bar and dual support rods make it easy to lift-up and lock. It's just as easy to reverse the procedure.

LIFT-UP. Just lift-up and lock the cooktop into place for easy access to the recessed spill containment subtop.

A simple guide to GE's QuickSet oven controls



QuickSet II

- Dual Element Bake • Digital temperature display with recall • Oven Preheat light • Electronic digital clock • Electronic reminder timer, up to 12 hours • Audible Preheat signal • 12-Hour automatic oven shut-off • Self-clean countdown digital display, includes cool down • Auto self-clean



QuickSet III

- Same as QuickSet II, plus:
- Automatic oven control • Delay Bake • Delay Self-Clean
 - Adjustable self-clean cycle time



QuickSet IV

- Same as QuickSet III, plus:
- Auto self-clean • All touchpad control • Large digital temperature display • Variable broil

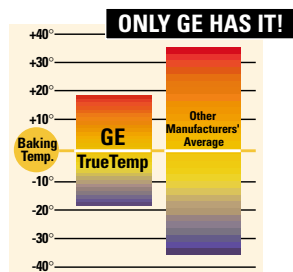


QuickSet V

- Same as QuickSet IV, plus:
- Convection bake/roast • Temperature probe
 - Extra-large graphics and extra-large touchpads
 - Digital glass touchpad control (0-9) entry • Oven function icons

CleanDesign: Convection

These models include • Largest* oven in America • Super large 4.5 cu. ft. capacity oven • TrueTemp™ System • Self-cleaning convection oven with dedicated third, dual-loop heating element • Warming option • Dual element bake • Six-pass power bake element • SmartLogic™ electronic control • Patterned glass-ceramic cooktop • Storage drawer • QuickSet V oven controls (see page 79) • Electronic digital clock and oven controls • Four leveling legs **Note: bold = feature upgrade from previous model**



SmartLogic™ Electronic Control delivers more consistent oven temperatures for exceptional cooking results.



Bridge Element for total cooking flexibility.



Convection Ovens provide even cooking and superior baking.



CleanDesign oven interiors have a smooth seamless surface, making cleanup easier than ever.



GE Profile Performance Series™

30" Free-Standing CleanDesign Convection Range **JB965SC** Stainless steel

- CleanDesign oven interior
- Right rear 6" burner with warming option
- Two 7" ribbon heating elements with connecting bridge element
- One dual 6"/9" and one 6" ribbon heating element
- Easy-view hot lights
- One-piece upswept cooktop
- Stainless steel oven door with Sure Grip handle
- Automatic self-clean oven latch
- Big View window
- Three oven shelves, one off-set
- Automatic meat thermometer
- Automatic oven light/pad



GE Profile Performance Series™

30" Free-Standing CleanDesign Convection Range **JB960TB** True white

- CleanDesign oven interior
- Right rear 6" burner with warming option
- **Two 7" ribbon heating elements with connecting bridge element**
- One dual 6"/9" and one 6" ribbon heating element
- Easy-view hot lights
- One-piece upswept cooktop
- Frameless glass oven door with Sure Grip handle
- Automatic self-clean oven latch
- Big View window
- Three oven shelves, one off-set
- Automatic meat thermometer
- Automatic oven light/pad
- Fluorescent night light

JB960WB White on white (not shown)

JB960CB Bisque (not shown)

JB960AB Almond on almond (not shown)

JB960BB Black on black (not shown)

*Among leading manufacturers' brands

Not all features available on all models.

For additional features, specifications and color availability, refer to pages 200-201.



GE Profile Performance Series™

30" Free-Standing CleanDesign Convection Range

JB940BB Black on black

- **CleanDesign oven interior** • Right rear 6" burner with warming option • One dual 6"/9", one 8", and two 6" ribbon heating elements • Easy-view hot lights • One-piece upswept cooktop • Frameless glass oven door with Sure Grip handle • Automatic self-clean oven latch • Big View window • **Three oven shelves, one off-set** • **Automatic meat thermometer** • Automatic oven light/pad
- Fluorescent night light

JB940WB White on white (not shown)

JB940CB Bisque (not shown)

JB940AB Almond on almond (not shown)



GE Profile

30" Free-Standing CleanDesign Convection Range

JBP85WB White on white

- Right rear 6" burner with warming option
- One dual 6"/9", one 8", and two 6" ribbon heating elements • Easy-view hot lights • One-piece upswept cooktop • Frameless glass oven door with Sure Grip handle • Automatic self-clean oven latch • Big View window • Three oven shelves
- Fluorescent night light

JBP85CB Bisque (not shown)

JBP85BB Black on black (not shown)

CleanDesign

These models include • Largest* oven in America • Super large 5.0 cu. ft. capacity oven • TrueTemp™ System • Self-cleaning oven • Dual element bake • Six-pass power bake element • SmartLogic™ electronic control • Easy-view hot lights • Patterned glass-ceramic cooktop • One-piece upswept cooktop • Storage drawer • Electronic digital clock and oven controls **Note: bold = feature upgrade from previous model**



Six-Pass Power Bake provides more power, total coverage and even cooking.



Dual Element Bake for even baking and roasting.



6 7/8" Dual Element saves energy and provides more efficient cooking.

ONLY GE HAS IT!



Largest* Usable Oven Capacity has room enough for cooking an entire meal.

*Among leading manufacturers' brands

Not all features available on all models. For additional features, specifications and color availability, refer to pages 200-201.



GE Profile™

30" Free-Standing CleanDesign Electric Range

JBP79WB White on white

• **QuickSet IV oven controls** (see page 79)
• Glass backguard • One 8", two 6" and one dual 6"/9" ribbon heating elements • Right rear 6" burner with warming option • **Frameless glass oven door with Sure Grip handle** • **Fluorescent cooktop light** • Big view window • **Automatic interior oven light** • **Automatic self-clean oven latch**

JBP79CB Bisque (not shown)

JBP79AB Almond on almond (not shown)

JBP79BB Black on black (not shown)



GE

30" Free-Standing CleanDesign Electric Range

JBP78WB White on white

• QuickSet III oven controls (see page 79)
• **One 8" and two 6", and one dual 6"/9" ribbon heating elements** • **Right rear 6" burner with warming option** • Frameless glass oven door with designer-style handle
• **Big view window**

JBP78AB Almond on almond (not shown)

JBP78BB Black on black (not shown)



GE

30" Free-Standing CleanDesign Electric Range

JBP66WB White on white

• **QuickSet III oven controls** (see page 79)
• Six-pass power bake element • Easy-view hot lights • **Frameless glass oven door with designer-style handle** • Standard window

JBP66AB Almond on almond (not shown)

JBP66BB White or Almond (not shown)

These models include • Largest* oven in America • Super large 5.0 cu. ft. capacity oven • Dual element bake • Frameless glass oven door • Designer-style handle • Two 8" and two 6" ribbon heating elements • QuickSet II oven controls (see page 79) • Auto oven shut-off with override • Easy-view hot lights

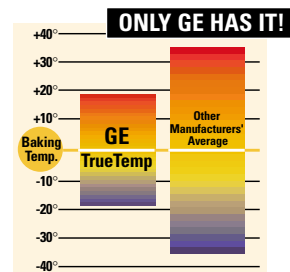
Note: bold = feature upgrade from previous model



GE
30" Free-Standing CleanDesign Electric Range
JBP65WC White on white
• Self-cleaning oven • **Warming zone**



GE
30" Free-Standing CleanDesign Electric Range
JBP64BB White or Almond
• Self-cleaning oven
JBP64WB White on white (not shown)



SmartLogic™ Electronic Control delivers more consistent oven temperatures for exceptional cooking results.



Six-Pass Power Bake provides more power, total coverage and even cooking.



GE
30" Free-Standing CleanDesign Electric Range
JBP61WC White on white
• Self-cleaning oven



GE
30" Free-Standing CleanDesign Electric Range
JBP60BC White
• Self-cleaning oven



GE
30" Free-Standing CleanDesign Electric Range
JBS61WC White on white
• Standard clean oven
JBS61BC White or Almond (not shown)

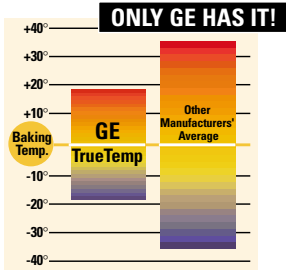
Accessory Information

For easy cleaning of the cooktop, GE provides one scraper and one 2.5-oz. bottle of cleaning creme with each range. For additional supply, call toll-free 1-800-626-2002.

QuickClean™ Self-Clean

These models include • Self-cleaning oven • Dual Element Bake • Frameless glass oven door • Designer-style handle • CleanWell™ cooktop system • Lift-up Cooktop • Plug-in Calrod® heating elements, two 8" and two 6" • Heating element "ON" indicator lights • Removable full-width storage drawer • Four leveling legs • Removable one-piece drip bowls

Note: bold = feature upgrade from previous model



SmartLogic™ Electronic Control delivers more consistent oven temperatures for exceptional cooking results.



Six Pass Power Bake provides more power, total coverage and even cooking.



Largest* Usable Oven Capacity has room enough for cooking an entire meal.



Clean-Well™ Cooktop System contains spills so clean-up is simple.

*Among leading manufacturers' brands

Not all features available on all models. For additional features, specifications and color availability, refer to pages 202-203.



GE Profile™

30" Free-Standing QuickClean Electric Range

JBP48AB Almond on almond

- TrueTemp™ System • **Warming option**
- Largest* Oven in America • Super large 5.0 cu. ft. capacity oven • SmartLogic™ electronic controls
- Six-pass power bake element • Right rear 6" burner with warming function • Big View window
- **QuickSet IV oven controls** (see page 79)
- **Sure Grip handle** • **Automatic interior oven light**

JBP48WB White on white (not shown)

JBP48BB Black on black (not shown)



GE

30" Free-Standing QuickClean Electric Range

JBP35BB White or Almond

- TrueTemp™ System • Largest* Oven in America • Super large 5.0 cu. ft. capacity oven
- SmartLogic™ electronic controls • Six-pass power bake element • **Big View window**
- QuickSet III oven controls (see page 79)

JBP35WB White on white (not shown)



GE

30" Free-Standing QuickClean Electric Range

JBP30WB White on white

- TrueTemp™ System • Largest* Oven in America
- Super large 5.0 cu. ft. capacity oven • SmartLogic™ electronic controls
- Six-pass power bake element • QuickSet III oven controls (see page 79) • **Deluxe Calrod heating elements** • **Porcelain removable drip bowls**

JBP30AB Almond on almond (not shown)

JBP30BB White or Almond (not shown)



GE
 30" Free-Standing QuickClean Electric Range
JBP24BB White or Almond
 • Largest* Oven in America • Super large 5.0 cu. ft. capacity oven • Standard window
 • QuickSet II oven controls (see page 79)
JBP24WB White on white (not shown)



Calrod® Heating Elements provide even heat distribution for better cooking performance.



Lift-up cooktop locks into place for easy cleaning.



GE
 30" Free-Standing QuickClean Electric Range
JBP19BC White
 • QuickSet I oven controls (see page 79)

QuickClean™ Standard Clean

These models include • Clean-Well™ Cooktop System • Heating element “ON” indicator light • Removable full-width storage drawer • Four leveling legs • Removable one-piece chrome drip bowls • Standard clean oven **Note: bold = feature upgrade from previous model**



Lift-up cooktop locks into place for easy cleaning.



Clean-Well™ Cooktop System contains spills so clean-up is simple.



Calrod® Heating Elements provide even heat distribution for better cooking performance.



GE

30" Free-Standing QuickClean Electric Range

JBS27BC White or Almond

- Largest* Oven in America • Super large 5.0 cu. ft. capacity oven • **Lift-up cooktop**
- **Plug-in Calrod® heating elements, two 8" and two 6"** • Electronic clock and minute timer
- **Frameless black glass oven door with window**
- Designer-style handle

JBS27WC White on white (not shown)

JBS27AC Almond on almond (not shown)



GE

30" Free-Standing QuickClean Electric Range

JBS26C White or Almond

- Largest* Oven in America • Super large 5.0 cu. ft. capacity oven • Plug-in Calrod® heating elements, two 8" and two 6"
- **Electronic clock and minute timer**
- Color-matched oven door with window
- Designer-style handle



GE

30" Free-Standing QuickClean Electric Range

JBS07C White on white

- Largest* Oven in America • Super large 5.0 cu. ft. capacity oven • Plug-in Calrod® heating elements, one 8" and three 6"
- Oven door with window • **Designer-style handle** • **Interior oven light switch**

*Among leading manufacturers' brands

Not all features available on all models. For additional features, specifications and color availability, refer to pages 202-203.



GE
30" Free-Standing QuickClean Electric Range
JBS05Y White or Almond
• 3.5 cu. ft. capacity oven • Up-front controls
• Plug-in heating elements, one 8" and three 6"
• **Color-matched oven door with window**
• Chrome visor handle • Storage drawer
(Does not have Clean-Well™ Cooktop System)



GE
30" Free-Standing QuickClean Electric Range
JBS03BC White or Almond
• Largest* Oven in America • Super large 5.0 cu. ft. capacity oven • Plug-in Calrod® heating elements, one 8" and three 6"
• **Frameless solid black glass oven door • Designer-style handle**
JBS03C White or Almond (not shown)
• Solid color-matched oven door • Chrome visor handle

40" Self-Cleaning & Standard Clean

These models include • Storage drawer • Lift-off oven door with window • Interior oven light • Two 6" and two 8" heating elements

Note: bold = feature upgrade from previous model



Easy-to-use Electronic Controls provide cooking convenience.



GE
40" Free-Standing Electric Range
JCP67Y White on white
• **Self-cleaning master oven • Standard clean companion oven** • Electronic clock and automatic master oven timer

JCS57Y White on white (not shown)
• Standard clean oven • Companion storage compartment with shelf
• Electronic clock and timer

*Among leading manufacturers' brands

Not all features available on all models. For additional features, specifications and color availability, refer to pages 202-203.

GE Spectra,[™] the next level of innovation in performance and versatility.

GE Profile Performance[™]—our new design makes cooking bigger and better than ever.

GE has designed a spectacular line of Gas Ranges that will make cooking more pleasurable, more convenient and more versatile than ever before! We have combined all the wonderful benefits of an electric range with the superior performance of gas, plus a few pleasant surprises. Now you can cook bigger, better and more accurately—every time! You will immediately notice the difference, as you spend less time working with the limitations of your range and more time creating extraordinary meals.



The revolutionary smooth cooktop—changing the way you cook with gas!

Now you can have the cleanability benefits of an electric cooktop with the performance benefits of gas. This cooktop eliminates the burner bowls and drip pans found on traditional gas ranges. Instead, the high and low BTU burners are sealed on the cooktop. The cast grates are placed on top of the smooth cooktop and clean-up is simply a matter of wiping with a damp sponge. We are sure you will agree this is our easiest cleaning gas range ever!



Convenient warming options.

Now, cooking big is easier than ever with the warming zone *and* warming drawer. Placed conveniently in the center of the cooktop, the warming zone is a great way to keep just about anything warm and ready to enjoy. The pull-out warming drawer is another great way to keep your food warm and fresh until you're ready to serve (see following page for details).



Convection in gas ranges—GE's first!

These ranges utilize an innovative two-speed convection system that gently circulates heated air evenly throughout the entire oven cavity. Convection ovens are known for their even baking performance and GE Spectra ranges have the most even baking performance of any gas convection oven. And what's more, you'll be cooking with TrueTemp,[™] the most accurate oven in America.

The #1 Rated* gas range is now more versatile.



Model JGBP86WEB



Keep food warm and ready to serve.

Cook more at the same time with the new warming drawer. It does more than hold food at serving temperature, it also helps in food preparation. Fix one or more side dishes ahead of the dinner hour and slip them into the warming drawer, conveniently located under the oven. (Models JGBP90/86/85/79)



Not too hot, not too cool.

The warming drawer has its own temperature control. This allows you to maintain the desired temperature for your side dishes before serving. Unpredictable warming temperatures are now a thing of the past!



Model JGBP90MEB

The sleek new appearance of gas.

The new look of our GE Profile™ gas range is not only more attractive and stylish, but cleans-up quickly and easily. Designed so nothing can hide and collect in exposed cracks, cleaning your gas range will be smooth, swift and easier than ever.

*By a leading consumer magazine.

Self-Cleaning: Sealed Burners

These models include • TrueTemp™ System • Warming drawer • SmartLogic™ electronic control • Extra-large self-cleaning oven
 • Electronic clock and automatic oven timer • Sealed burners • Precise Simmer burner • Two Maximum Output burners • Three oven racks
 • Six embossed rack positions • In-oven broiling • Extra-large broiler pan with grid • Interior oven light • Electronic pilotless ignition

Note: bold = feature upgrade from previous model



The revolutionary Smooth Cooktop—changing the way you cook with gas.



The Warming Zone is a great way to keep food warm and ready to enjoy.



Convection Gas Ovens—GE's first.



GE Profile Performance™

30" Free-Standing Convection Gas Range with Warming Drawer

JGB920WEC White on white

- Smooth ceramic glass cooktop with warming zone
- Warming zone hot light • Scratch-resistant glass backguard • QuickSet V glass touch oven controls with digipad entry; convection conversion; auto oven shut-off with override; start pad; delay clean option and self-clean cool down time display • Automatic self-clean lock • Two-speed convection oven
- Convection Bake • Convection Roast • Frameless glass oven door with Big View window • Sure Grip handle • Designer-style control knobs • Fluorescent cooktop light • Automatic meat thermometer
- Stainless steel insert included with warming drawer

JGB920CEC Bisque (not shown)

JGB920BEC Black on black (not shown)



GE Profile Performance™

30" Free-Standing Convection Gas Range with Warming Drawer

JGB910BEC Black on black

- QuickSet V glass touch oven controls with digipad entry; **convection conversion**; auto oven shut-off with override; start pad; delay clean option and self-clean cool down time display • Automatic self-clean lock
- Two-speed convection oven • Convection Bake • Convection Roast • Frameless glass oven door with Big View window • Sure Grip handle • Designer-style control knobs • One-piece upswept porcelain-enameled cooktop • One-piece drip pans • Fluorescent cooktop light • Automatic meat thermometer • **Stainless steel insert included with warming drawer**

JGB910WEC White on white (not shown)

JGB910CEC Bisque (not shown)



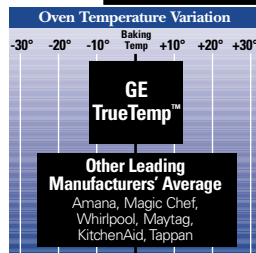
GE Profile™

30" Free-Standing Commercial-Style Gas Range with Warming Drawer

JGBP90MEB Brushed aluminum

- QuickSet V oven controls with digipad entry; auto oven shut-off with override; start pad; delay clean option and self-clean cool down time display
- Automatic self-clean lock • **Brushed aluminum oven door with Big View window** • Professional-style handle and control knobs • One-piece upswept porcelain-enameled cooktop • Professional cooktop grates with rubber feet • Continuous grate surface

ONLY GE HAS IT!



TrueTemp™ System.
 "The Most Accurate Oven in America."

*Among leading manufacturers' brands.

Not all features available on all models. For additional features, specifications and color availability, refer to page 204.



GE Profile™

30" Free-Standing Gas Range with Warming Drawer

- JGBP86WEB** White on white
- Scratch resistant glass backguard
 - QuickSet V oven controls with digipad entry; auto oven shut-off with override; start pad; delay clean option and self-clean cool down time display
 - Automatic self-clean lock
 - Fluorescent cooktop night light
 - Frameless glass oven door with Big View window
 - Sure Grip handle
 - Designer-style control knobs
 - One-piece upswept porcelain-enameled cooktop
 - Professional extra-large cast iron grates
 - Continuous grate surface
 - One-piece drip pans

JGBP86CEB Bisque (not shown)

JGBP86AEB Almond on almond (not shown)

JGBP86BEB Black on black (not shown)



Sealed Burner Design helps contain spills from dripping beneath cooktop for easy clean-up.



Precise Simmer Burner with 600 BTUs allows for low, even heat distribution for delicate foods and sauces.



Maximum Output Burners, with 12,000 BTUs, provide maximum output for fast heat-up and boiling.



GE Profile™

30" Free-Standing Gas Range with Warming Drawer

- JGBP85BEB** Black on black
- Scratch resistant glass backguard
 - QuickSet V oven controls with digipad entry; auto oven shut-off with override; start pad; delay clean option and self-clean cool down time display
 - Automatic self-clean lock
 - Fluorescent cooktop night light
 - Frameless glass oven door with Big View window
 - Sure Grip handle
 - Designer-style control knobs
 - One-piece upswept porcelain-enameled cooktop
 - Square heavy cast grates with rubber feet
 - One-piece drip pans

JGBP85WEB White on white (not shown)

JGBP85CEB Bisque (not shown)

JGBP85AEB Almond on almond (not shown)



GE Profile™

30" Free-Standing Gas Range with Warming Drawer

- JGBP79CEB** Bisque
- QuickSet IV oven controls with digital temperature display; auto oven shut-off with override; start pad; delay clean option; self-clean cool down time display and control lock capability
 - Scratch-resistant porcelain-enameled backguard
 - Glass oven door with Big View window
 - Sure Grip handle
 - Designer-style control knobs
 - One-piece upswept porcelain-enameled cooktop
 - Square heavy cast grates with rubber feet
 - One-piece drip pans

JGBP79WEB White on white (not shown)

JGBP79AEB Almond on almond (not shown)

JGBP79BEB Black on black (not shown)

Self-Cleaning: Sealed Burners

These models include • Extra-large self-cleaning oven • Six embossed rack positions • QuickSet oven controls • Sealed burners • Electronic pilotless ignition • One-piece, upswept porcelain-enameled cooktop • Frameless glass oven door • Designer-style handle • In-oven broiling • Extra-large broiler pan • Two oven racks • Interior oven light

Note: bold = feature upgrade from previous model



GE

30" Free-Standing Gas Range

JGBP35BEA Black on black
 • TrueTemp™ System • SmartLogic™ electronic control • **QuickSet IV oven controls with digital temperature display; auto oven shut-off with override; start pad; delay clean option; self-clean cool down time display; and control lock capability** • Precise Simmer burner • Maximum Output burner • Big View window • Storage drawer • Black medium cast square grates • Black porcelain-enameled drip pans

JGBP35WEA White on white (not shown)

JGBP35AEA Almond on almond (not shown)



GE

30" Free-Standing Gas Range

JGBP30BEA White or Almond
 • TrueTemp™ System • SmartLogic™ electronic control • **QuickSet III oven controls with digital temperature display; auto oven shut-off and audible preheat signal** • Precise Simmer burner • Maximum Output burner • Big View window • Storage drawer • Black deluxe porcelain steel square grates • Black porcelain-enameled drip pans

JGBP30WEA White on white (not shown)

JGBP30AEA Almond on almond (not shown)



GE

30" Free-Standing Gas Range

JGBP28BEA White or Almond
 • QuickSet II oven controls with digital temperature display; auto oven shut-off and audible preheat signal • **Storage drawer** • Black standard porcelain steel square grates • **Frameless black glass oven door with window**

JGBP28WEA White on white (not shown)



GE

30" Free-Standing Gas Range

JGBP27BEA White or Almond
 • QuickSet II oven controls with digital temperature display; auto oven shut-off and audible preheat signal • Black standard porcelain steel square grates

Not all features available on all models. For additional features, specifications and color availability, refer to page 205.

XL44™ Self-Cleaning: Standard Burners

These models include • Extra-large self-cleaning oven • Six embossed rack positions • Electronic pilotless ignition • QuickSet oven controls • Frameless glass oven door with designer-style handle • Lift-up cooktop • Square, standard porcelain steel grates • One-piece, porcelain-enameled cooktop and subtop • In-oven broiling • Extra-large broiler pan with grid • Two oven racks • Interior oven light

Note: bold = feature upgrade from previous model



ONLY GE HAS IT!

Largest* Usable Oven Capacity has room enough for cooking an entire meal.



Sixth Embossed Rack Position increases cooking flexibility.



GE

30" Free-Standing XL44™ Gas Range

JGBP26BEA White or Almond

- **TrueTemp™ System** • SmartLogic™ electronic control • **QuickSet III oven controls with digital temperature display; delay bake option; auto oven shut-off and audible preheat signal**
- **Black porcelain-enameled drip pans**
- **Frameless black glass oven door with window** • Storage drawer

JGBP26WEA White on white (not shown)

JGBP26AEA Almond on almond (not shown)



GE

30" Free-Standing XL44™ Gas Range

JGBP24BEA White or Almond

- **QuickSet II oven controls with digital temperature display; auto oven shut-off and audible preheat signal**

*Among leading manufacturers' brands.

Not all features available on all models. For additional features, specifications and color availability, refer to page 205.

Refrigeration

Free-Standing Gas Cooking Products

Microwave Ovens

Dishwashers

Clothes Care

Water Systems

Air Conditioning

XL44™ Standard Clean: Sealed Burners

- These models include** • Extra-large standard clean oven • Six embossed rack positions • Electronic clock and timer • Sealed burners • Porcelain steel square grates • Electronic pilotless ignition • One-piece, upswept porcelain-enameled cooktop • Slide-out broiler drawer • Extra-large broiler pan with grid
- Note: bold = feature upgrade from previous model**



ONLY GE HAS IT!

Largest* Usable Oven Capacity has room enough for cooking an entire meal.



Sealed Burner Design helps contain spills from dripping beneath cooktop for easy clean-up.



Sixth Embossed Rack Position increases cooking flexibility.



GE

30" Free-Standing XL44™ Gas Range

JGBS23AEA Almond on almond

- **Frameless almond glass oven door with Big View window** • Designer-style handle
- **Precise Simmer burner** • **Maximum Output burner** • **Taupe porcelain-enameled drip pans** • Interior oven light

JGBS23WEA White on white (not shown)

- Grey porcelain-enameled drip pans

JGBS23BEA White or Almond (not shown)

- Black porcelain-enameled drip pans



GE

30" Free-Standing XL44™ Gas Range

JGBS22BEA White or Almond

- **Frameless black glass oven door with window** • **Designer-style handle**
- **Interior oven light**



GE

30" Free-Standing XL44™ Gas Range

JGBS21PEA White or Almond

- **Solid porcelain-enameled oven door**
- **Chrome visor handle**

*Among manufacturers' brands.

Not all features available on all models. For additional features, specifications and color availability, refer to page 206.

XL44™ Continuous & Standard Clean: Standard Burners

These models include • Six embossed rack positions • Electronic pilotless ignition • Lift-up cooktop • Square, standard porcelain steel grates • Porcelain-enameled cooktop • Easy-clean porcelain-enameled subtop • Slide-out broiler drawer • Extra-large broiler pan with grid • Two oven racks • Interior oven light

Note: bold = feature upgrade from previous model



GE
30" Free-Standing XL44™ Gas Range

JGBC20BEA White or Almond
• Extra-large continuous clean oven
• Electronic clock and timer • **Frameless black glass oven door with designer-style handle** • One-piece upswept cooktop

JGBC20WEA White on white (not shown)

JGBS20BEA White or Almond (not shown)
• Extra-large standard clean oven

JGBS20WEA White on white (not shown)



GE
30" Free-Standing XL44™ Gas Range

JGBC17PEA White or Almond
• **Extra-large continuous clean oven**
• Electronic clock and timer
• **Color-matched porcelain-enameled oven door with designer-style handle**
• One-piece upswept cooktop

JGBS17PEA White or Almond (not shown)
• Extra-large standard clean oven



GE
30" Free-Standing XL44™ Gas Range

JGBS15PEA White or Almond
• Extra-large standard clean oven • **Electronic clock and timer** • Color-matched porcelain-enameled oven door with window
• Chrome visor handle • Electronic pilotless ignition • Square standard porcelain steel grates • Interior oven light • Drop-down broiler drawer



GE
30" Free-Standing XL44™ Gas Range

JGBS07PEA White on white
• Extra-large standard clean oven
• **White porcelain-enameled oven door with designer-style handle** • Standard window • **Interior oven light**



GE
30" Free-Standing XL44™ Gas Range

JGBS04BEA White or Almond
• **Frameless solid black glass oven door with designer-style handle** • **Extra-large standard clean oven**

JGBS04BPA White or Almond (not shown)
• Standing pilot ignition

JGBS04PEA White or Almond (not shown)
• Solid porcelain-enameled oven door with chrome visor handle

JGBS04PPA White or Almond (not shown)
• Standing pilot ignition



GE
30" Free-Standing XL44™ Gas Range

JGBS03PPA White or Almond
• Solid porcelain-enameled oven door with chrome visor handle • Standing pilot ignition

Not all features available on all models.
For additional features, specifications
and color availability, refer to page 206.

Refrigeration

Free-Standing Gas
Cooking Products

Microwave Ovens

Dishwashers

Clothes Care

Water Systems

Air Conditioning

Venting Options

Telescopic Downdraft Systems

These models include • 350 CFM performance • Variable speed fan control • Raises to 7" over cooktop surface • Retracts when not in use • Ideal for island or peninsula installations • 3-1/4" x 10" rectangular duct **Note: bold = feature upgrade from previous model**



Raise/lower vent switch provides convenience of operation.



GE Profile Performance Series™
Telescopic Downdraft Systems
JVB96SA Stainless steel
• 36" width
JVB93SA Stainless steel (not shown)
• 30" width

Note: Approved for use with all GE Profile Performance™, GE Profile™ and GE electric and sealed burner gas cooktops. Not approved for use with standard burner gas cooktops.

These models include • 500 CFM performance • Upfront variable speed fan with slide control • Raises to 8-3/4" over cooktop surface • Retracts when not in use • Ideal for island or peninsula installations • Use optional GE accessory cover (JXBC57) for outdoor installation of blower or the indoor blower mounting kit (JXR57) for indoor remote mounting of the blower **Note: bold = feature upgrade from previous model**



Separate remote switch to raise/lower vent provides installation flexibility and convenience of operation. (only available on JVB67)

Note: Approved for use with all GE Profile Performance™, GE Profile™ and GE electric and sealed burner gas cooktops. Not approved for use with standard burner gas cooktops.



GE Profile™
Telescopic Downdraft Systems
JVB67AWW White on white
• 36" width • **Separate remote switch to raise/lower vent**
JVB67ACC Bisque (not shown)
JVB67ABB Black on black (not shown)



GE Profile™
Telescopic Downdraft Systems
JVB37ABB Black on black
• 30" width
JVB37AWW White on white (not shown)
JVB37ACC Bisque (not shown)

Slide-Out Hoods

These models include
• See-through glass visor slides in and out • 300 CFM performance with variable speed fan control • Auto heat sensor • Compact housing leaves ample shelf space behind cabinet doors • Vertical exhaust with 3-1/4" x 10" rectangular duct

Note: bold = feature upgrade from previous model



GE Profile Performance Series™
Slide-Out Hoods
JV960SA Stainless steel
• 36" width • Cooktop light
JV930SA Stainless steel (not shown)
• 30" width • Cooktop light



GE Profile™
36" Slide-Out Hoods
JV696S Bisque
• Cooktop light
JV695S White on white (not shown)
JV694S Black on black (not shown)

30" Slide-Out Hoods
JV396S Bisque (not shown)
• Cooktop light
JV395S White on white (not shown)
JV394S Black on black (not shown)

Not all features available on all models. For additional features, specifications and color availability, refer to pages 208-209.

Note: Cooktops Sold Separately

High Performance, Performance, Deluxe and Standard Hoods



GE Profile™

High Performance Hood

JV666C Stainless steel

- 36" width • 3 speed fan with boost • 2 halogen cooktop lights
- Night light setting • **Vertical or rear exhaust (400 CFM)**
- 3-1/4" x 10" rectangular duct (convertible to 7" round duct)

JV665C White on white or Black on black (not shown)



GE Profile™

High Performance Hood

JV635C White on white (shown) or Black on black

- 30" width • 2 halogen cooktop lights • Night light setting • 3 speed fan control with boost • **Vertical or rear exhaust (400 CFM)**
- 3-1/4" x 10" rectangular duct (convertible to 7" round duct)

JV636C Stainless steel (not shown)



GE Profile™

Performance Hoods

JV565C White on white (shown), Bisque or Black on black

- 36" width • **2 speed fan control** • **200 CFM (max.)** • **2 halogen cooktop lights** • Convertible exhaust options (7" round, rectangular or non-vented) • Rectangular damper included

JV566C Stainless steel (not shown)

JV535C White on white, Bisque, or Black on black (not shown)

- 30" width

JV536C Stainless steel (not shown)



GE

Deluxe Hood

JV347X White on white, Bisque,

Almond on almond or Black on black

- 30" width • **Rotary control** • **Three-speed fan**
- **Cooktop light with Night light setting** • **Light cover**
- **Convertible exhaust (Shipped in non-vented configuration, convertible to round or rectangular exhaust.)** • Rectangular damper included



GE

Standard Hoods

JV327X White or Almond

- 30" width • 7" round duct • Easy-to-use rocker switches • Two-speed fan • Cooktop light

JV337X White or Almond (not shown)\

- 3-1/4" x 10" rectangular duct
- Rectangular damper included

JN327X White or Almond (not shown)

- Non-vented

JXDA23 round damper accessory, available at additional cost (Models JV666/665/636/635/566/565/536/535).

JXDA22 round damper accessory, available at additional cost (Models JV347/327/JN327).

Not all features available on all models. For additional features, specifications and color availability, refer to page 207.

A new generation.



GE microwave ovens with a new sculpted, sleek design add elegance and style to any kitchen.

GE Microwaves rated best in their category.



GE is the best source for microwave ovens. GE microwaves were ranked #1 by a leading consumer magazine in the categories of mid-sized countertop (JE1060), compact countertop (JE740), and over-the-range (JVM1660). No other brand had so many #1 rankings.



Whatever style microwave you are looking for, GE is the brand!

Space-saving design with installation flexibility.



Before

JE1660WB

- Microwave
 - Vent hood
 - Cooktop lighting
- All in one.

GE—The Original Spacemaker™

In 1979, GE invented the Spacemaker™ over-the-range microwave. A full-featured microwave with a powerful, two-speed exhaust fan, rated 300 CFM, and cooktop light, integrated into the base of the microwave oven eliminates the need for a range hood. Installing an over-the-range microwave oven increases valuable countertop space in the kitchen.



After

JVM1660WB

GE innovation combined with space-saving design.

SpacemakerPlus™: Convection/Microwave

These models include • 1.1 cu. ft. oven cavity • 825 watts* • Sensor Cooking Controls for Popcorn, Beverage, Reheat, Canned Vegetables, Fresh Vegetables, and Frozen Vegetables Pads • Combination Microwave/Convection Oven • Sensor Combination (Chicken, Fish, Potato) • Combination Bake Hi/Lo • Combination Roast (probe) • Convection Broil Hi/Lo • Convection Bake • Auto Defrost/Time Defrost • SmartControl System with Interactive Display • Convection Rack/Broil Pan • Temp Cook (probe) • Programmable Night Light



The Sensor Combination pads take the guesswork out of cooking.



Convection Cooking provides a browned crisp exterior and moist interior.



Combination Bake/Hi uses 30% microwave power, combined with convection cooking for faster cooking results.



GE Profile Performance Series™

SpacemakerPlus™

JVM1190SY Stainless steel

JVM1190WY White on white (not shown)

JVM1190CB Bisque (not shown)

JVM1190AY Almond on almond (not shown)

JVM1190BY Black on black (not shown)

*IEC-705 Test Procedure

Not all features available on all models.

For additional features, specifications and color availability, refer to page 210.

Spacemaker™: Microwave with Sensor Cooking

These models include • 1.6 cu. ft. oven cavity • 1000 watts* • Sensor Cooking Controls for Popcorn, Vegetables, Chicken Pieces, Reheat, Beverage, Potatoes, Ground Meats and Fish Fillets Pads • Audio Message Center • Appointment Scheduler • Two Custom Pads • Two Removable Cooking Racks • Temp Cook/Roast (probe) • Clock Saver • Cookbook • CircuWave 1000 Cooking System • Turntable On/Off • SmartControl System with Interactive Display • Help Pad • Timer On/Off • Full-View Cooktop Lighting • Programmable Night Light • Time Cook I & II • Auto Defrost/Time Defrost • Add 30 Seconds • Instant On Controls • Beeper Volume Control • Child Lock-Out • Powerful 300 CFM Two-Speed, High-Capacity Exhaust Fan • Easy Mount Installation



Sensor controls take the guesswork out of cooking by "sensing" the individual cooking time for each food item.



Message Center allows you to leave audio messages for your family.



Appointment Scheduler pad allows you to schedule and input future appointments and will remind you as well.



This powerful 300 CFM rated venting system will remove smoke and steam from your cooktop.



GE Profile™

Spacemaker™

JVM1660SB Stainless steel

JVM1661SB Stainless steel (not shown)

• Non-vented model

JVM1660WB White on white (not shown)

JVM1661WB White on white (not shown)

• Non-vented model

JVM1660CB Bisque (not shown)

JVM1661CB Bisque (not shown)

• Non-vented model

JVM1660AB Almond on almond (not shown)

JVM1661AB Almond on almond (not shown)

• Non-vented model

JVM1660BB Black on black (not shown)

JVM1661BB Black on black (not shown)

• Non-vented model

Not all features available on all models. For additional features, specifications and color availability, refer to page 211.

Spacemaker™: Microwave with Sensor/Convenience Cooking

These models include • Sensor Cooking Controls for Popcorn, Reheat, Vegetables, Beverage and Potato Pads • Time Cook I & II • Delay Start • Reminder • Auto/Time Defrost • Express Cook • Add 30 Seconds • 10 power levels • Instant On Controls • Timer On/Off • Child Lock-Out • Cooking Complete Reminder • Programmable Night Light • Beeper Volume Control • Turntable On/Off • Easy Mount Installation • Powerful 300 CFM Two-Speed, High-Capacity Exhaust Fan **Note: bold = feature upgrade from previous model**



Sensor controls take the guesswork out of cooking by "sensing" the individual cooking time for each food item.



Auto Defrost/Time Defrost sets defrosting time and predicts power levels. Enter the food type and weight—the microwave does the rest!



Convenience Cooking Controls precisely determine appropriate defrost, cook and reheat times through advanced preset algorithms.



Turntable rotates the dish constantly for even cooking results. Turntable On/Off allows large casserole dishes to be placed in the oven.



GE

Spacemaker

JVM1650AB Almond on almond

• 1.6 cu. ft. oven cavity • 1000 watts* • Convenience Cooking Controls for Cook and Snack Pads • CircuWave 1000 Cooking System • Removable Cooking Rack



JVM1651AB

Almond on almond (not shown)
• Non-vented model

JVM1650WB

White on white (not shown)

JVM1651WB

White on white (not shown)
• Non-vented model

JVM1650CB

Bisque (not shown)

JVM1651CB

Bisque (not shown)

• Non-vented model

JVM1650BB

Black on black (not shown)

JVM1651BB

Black on black (not shown)

• Non-vented model

JVM1650SB

Stainless steel (not shown)

JVM1651SB

Stainless steel (not shown)

• Non-vented model



GE

Spacemaker

JVM1450BC Black on black

• 1.4 cu. ft. oven cavity • 950 Watts* • CircuWave Plus Cooking System



JVM1450WC

White on white (not shown)

*IEC-705 Test Procedure

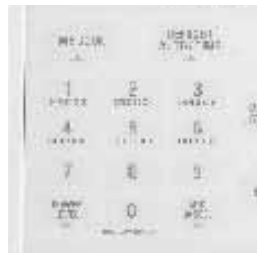
Not all features available on all models.

For additional features, specifications and color availability, refer to page 211.

Spacemaker™: Microwave with Convenience Cooking

These models include • SmartControl System with Interactive Display • Time Cook I & II • Delay Start • Reminder • Auto/Time Defrost • Express Cook • 10 power levels • Instant On Controls • Timer On/Off • Child Lock-Out • Cooking Complete Reminder • Full-View Cooktop Lighting • Easy Mount Installation • Powerful 300 CFM High-Capacity Exhaust Fan

Note: bold = feature upgrade from previous model



Express Cook instantly gives you one to six minutes of cooking time at full power.



Convenience Cooking Controls precisely determine appropriate defrost, cook and reheat times through advanced preset algorithms.



Add 30 Seconds extends cooking time without the hassle of reprogramming.



This powerful 300 CFM rated venting system will remove smoke and steam from your cooktop.



GE

Spacemaker

JVM1640WB White on white

• 1.6 cu. ft. oven cavity • 1000 watts* • Convenience Cooking Controls for Popcorn, Beverage, Cook and Reheat Pads • CircuWave 1000 Cooking System • Turntable On/Off • Beeper Volume Control • Removable Cooking Rack



JVM1640AB

Almond on almond (not shown)

JVM1640BB

Black on black (not shown)



GE

Spacemaker

JVM1410WC White on white

• 1.4 cu. ft. oven cavity • 950 Watts* • Convenience Cooking Controls for Popcorn, Beverage and Reheat Pads • Add 30 Seconds • CircuWave Plus Cooking System • Turntable



JVM1410BC

Black on black (not shown)

*IEC-705 Test Procedure

Not all features available on all models.

For additional features, specifications and color availability, refer to page 211.

Refrigeration

Cooking Products

Microwave Ovens

Dishwashers

Clothes Care

Water Systems

Air Conditioning

Microwave Wall Ovens

These models include • 1.0 cu. ft. oven cavity • 800 watts* • Express Cook • Sensor Cooking Controls for Popcorn, Reheat, Beverage and Cook Pads

Note: bold = feature upgrade from previous model

Sensor Convection/Microwave



Convection/Microwave Wall Ovens provide a true built-in appearance. JEB1095 and JEB1055 now fit a 27" or 30" cutout. A trim kit (included with all models) enables the unit to be adapted to a 30" width. The models are available in classic white and black. There is also a stainless steel model available in the GE Profile Performance Series.™



Shown in 30" width

GE Profile Performance Series™

30" or 27" Convection Microwave Wall Oven

JEB1095SB Stainless steel

- Convection Cooking
- Combination Roast (probe)
- Combination Cooking

JEB1095WB White on white (not shown)

JEB1095BB Black on black (not shown)



Sensor controls take the guesswork out of cooking by "sensing" the individual cooking time for each food item.

Sensor Microwave



Convection cooking produces brown exteriors and moist interiors.



Shown in 27" width

GE Profile™

30" or 27" Microwave Wall Oven

JEB1055WB White on white

- Auto Roast (probe)

JEB1055BB Black on black (not shown)



JEB1055 control panel shown

*IEC-705 Test Procedure

Not all features available on all models.

For additional features, specifications and color availability, refer to page 212.

GE Countertop Microwaves



Offer something for everyone.

GE has a countertop microwave oven for every need imaginable, from .5 to 1.8 cu. ft. and from 600 to 1100 watts. The choices continue with features such as sensor pads that cook your food to perfection, convenience pads, and pre-programmed timing. GE even offers a convection/microwave model for microwave cooking with browning and broiling capabilities. And when it comes to installation, GE offers great flexibility. GE has models that can be set on a counter, hung underneath your cabinet or built into your wall. The choice is yours with a GE countertop microwave.

Refrigeration

Cooking Products

Microwave Ovens

Dishwashers

Clothes Care

Water Systems

Air Conditioning

Countertop: Convection/Microwave

These models include • 1.3 cu. ft. oven cavity • 850 watts* • Sensor Cooking Controls for Popcorn, Reheat, Beverage and Cook Pads • Turntable • Time Cook I & II • Combination Cook • Combination Roast • Convection Cook • 10 power levels • SmartRack • Auto Defrost • Kitchen Timer • Delay Start • Express Cook • Deluxe Cookbook



Convection Cooking produces golden brown exteriors and moist interiors.



Combination Cooking combines microwave and convection cooking.



The SmartRack provides two levels of convection cooking.



Turntable rotates the dish constantly for even cooking results.



GE Profile Performance Series™
Convection/Microwave with Turntable
JE1390WA White on white

Model shown with trim kit**



GE Profile Performance Series™
Convection/Microwave with Turntable
JE1390GA Black with greystone case

Model shown on countertop



*IEC-705 Test Procedure

**Optional Trim Kit—Custom Trim kits available in both 27" and 30" configurations at an additional cost. See page 111 to complete installation.

Not all features available on all models.

For additional features, specifications and color availability, refer to page 213.

Countertop: Microwaves with Sensor Cooking

These models include • Scrolling Display • Sensor Cooking Controls for Popcorn, Beverage, Reheat, Vegetable, Potato and Chicken/Fish Pads • Time Cook I & II • Auto Defrost/Time Defrost • Express Cook • Add 30 Seconds • 10 power levels • Instant On Controls • Timer On/Off • Child Lock-Out • Delay Start • Reminder • Cooking Complete Reminder • Variable Beeper Volume

Note: bold = feature upgrade from previous model



Sensor controls take the guesswork out of cooking by "sensing" the individual cooking time for each food item.



Model shown with trim kit**

GE Profile™
Sensor Microwave with Turntable

JE1860SB Stainless steel
• Extra-large 1.8 cu. ft. oven cavity • 1100 watts* • Turntable On/Off



JE1860WB
White on white (not shown)
JE1860CB
Bisque (not shown)
JE1860GB
Black with greystone case (not shown)



The Scrolling Display is easy to read and a helpful cooking guide.



GE Profile™
Sensor Microwave with Turntable

JE1660WB White on white
• Full-size 1.6 cu. ft. oven cavity • 1100 watts* • Turntable • Optional trim kit available**



JE1660GB
Black with greystone case (not shown)



Turntable rotates the dish constantly for even cooking results. Turntable On/Off allows large casserole dishes to be placed in the oven.



GE Profile™
Sensor Microwave with Turntable

JE1360BC Black on black
• Family-size 1.3 cu. ft. oven cavity • 1100 watts* • Turntable
Available February, 2001



JE1360WC
White on white (not shown)

*IEC-705 Test Procedure

**Optional Trim Kit—Custom Trim kits available in both 27" and 30" configurations at an additional cost. See page 111 to complete installation.

Not all features available on all models. For additional features, specifications and color availability, refer to page 213.

Countertop: Microwaves with Sensor Cooking (continued)

These models include • Scrolling Display • Sensor Cooking Controls for Popcorn, Beverage, Reheat, Vegetable, Potato and Chicken/Fish Pads • Time Cook I & II • Auto Defrost/Time Defrost • Express Cook • Add 30 Seconds • 10 power levels • Instant On Controls • Timer On/Off • Child Lock-Out • Delay Start • Reminder • Cooking Complete Reminder • Variable Beeper Volume

Note: bold = feature upgrade from previous model



Sensor controls take the guesswork out of cooking by "sensing" the individual cooking time for each food item.



The Scrolling Display is easy to read and a helpful cooking guide.



The versatility of a GE countertop microwave fits any consumer's needs. The ability to build into a wall frees up valuable counter space.



GE Profile™
Sensor Microwave with Turntable
JE1160WC White on white
• Mid-size 1.1 cu. ft. oven cavity • 1100 watts* • Turntable
JE1160BC Black on black (not shown)



GE Profile™
Sensor Countertop
JEM31WA White on white
• Mid-size .9 cu. ft. oven cavity • 800 watts* • Optional trim kit available**
• Optional undercabinet mounting kit available†
JEM31SA Stainless steel (not shown)
JEM31GA Black with greystone case (not shown)
JEM31CA Bisque (not shown) Available April, 2001



*IEC-705 Test Procedure

**Optional Trim Kit—Custom Trim kits available in both 27" and 30" configurations at an additional cost. See page 111 to complete installation.

†Undercabinet mounting kit—Noted microwave ovens can easily be mounted below your cabinetry, freeing up valuable counter space. A mounting template provides all the necessary measurements for installation on practically any wood or metal cabinets.

Not all features available on all models.

For additional features, specifications and color availability, refer to pages 213-215.

Countertop: Microwaves with Convenience Cooking

These models include • Convenience Cooking Controls for Popcorn, Beverage, Reheat, Snacks and Cook Pads • Turntable

• Time Cook I & II • Auto Defrost • Time Defrost • Express Cook • Kitchen Timer • Child Lock-Out

Note: bold = feature upgrade from previous model



GE

Convenience Control Microwave with Turntable

JE1840WB White on white

• **Extra-large 1.8 cu. ft. oven cavity** • 1100 watts* • Optional trim kit available**

JE1840GB Black with greystone case (not shown)



GE

Convenience Control Microwave with Turntable

JE1640WB White on white

• **Full-size 1.6 cu. ft. oven cavity** • 1100 watts* • **Optional trim kit available****

JE1640AB Almond on almond (not shown)

JE1640GB Black with greystone case (not shown)



GE

Convenience Control Microwave with Turntable

JE1340BC Black on black

• **Family-size 1.3 cu. ft. oven cavity** • 1100 watts*

JE1340WC White on white (not shown)

Available February, 2001



GE

Convenience Control Microwave with Turntable

JE1140BC Black on black

• **Mid-size 1.1 cu. ft. oven cavity** • 1100 watts*

JE1140WC White on white (not shown)



GE

Convenience Control Microwave with Turntable

JE740WY White on white

• **Compact .7 cu. ft. oven cavity** • 700 watts*

• **Optional undercabinet mounting kit available†**

JE740GY Black with greystone case (not shown)

*IEC-705 Test Procedure

**Optional Trim Kit—Custom Trim kits available in both 27" and 30" configurations at an additional cost. See page 111 to complete installation.

†Undercabinet mounting kit—Noted microwave ovens can easily be mounted below your cabinetry, freeing up valuable counter space. A mounting template provides all the necessary measurements for installation on practically any wood or metal cabinets.

Not all features available on all models.

For additional features, specifications and color availability, refer to page 213.

Refrigeration

Cooking Products

Microwave Ovens

Dishwashers

Clothes Care

Water Systems

Air Conditioning

Countertop: Microwaves with Convenience Cooking

Note: bold = feature upgrade from previous model



GE
Convenience Control Microwave with Turntable
JE835WW White on white
• Mid-size .8 cu. ft. oven cavity • 800 watts* • Convenience Controls for Baked Potato, Vegetables, Dinner Plate, Popcorn, Beverage, Frozen Pizza and **Soup Pads** • **Time Preference**



GE
Convenience Control Microwave with Turntable
JE635WW White on white
• Compact .6 cu. ft. oven cavity • 600 watts* • **Convenience Cooking Controls for Baked Potato, Vegetables, Dinner Plate, Frozen Pizza, Popcorn and Beverage Pads** • **Instant On controls** • **Auto Defrost** • **Auto Start** • **Electronic Digital Display with Clock** • **Child Lock-Out**



GE
Countertop Microwave with Turntable
JE520BW Black on black
• Subcompact .5 cu. ft. oven cavity • 600 watts* • Turntable • **Electronic touch controls with electronic digital display and clock** • **Time Cook** • **Time Defrost** • **Cooking Complete Reminder** • **10 power levels** • Optional undercabinet mounting kit available†
JE520WC White on white (not shown)



GE
Countertop Microwave with Turntable
JE710BA Black on black
• Compact .7 cu. ft. oven cavity • 600 watts* • Turntable • 15-minute timer • Optional undercabinet hanging kit available†



GE
Countertop Microwave with Turntable
JE510BW Black on black
• Subcompact .5 cu. ft. oven cavity • 600 watts* • Turntable
• 15-minute timer • Optional undercabinet hanging kit available†
JE510WC White on white (not shown)

*IEC-705 Test Procedure

†Undercabinet mounting kit—Noted microwave ovens can easily be mounted below your cabinetry, freeing up valuable counter space. A mounting template provides all the necessary measurements for installation on practically any wood or metal cabinets.

Not all features available on all models.

For additional features, specifications and color availability, refer to page 214.

Spacemaker II™



Easy Under Cabinet Installation leaves counter space free for food preparation.

Not all features available on all models. For additional features, specifications and color availability, refer to page 214.



GE

Spacemaker II™

JEM25WY White on white

- Mid-size .9 cu. ft. oven cavity
- 800 watts* • Convenience Cooking Controls for Popcorn, Beverage, Reheat, Snacks and Cook Pads
- Delay Start/Reminder • Time Defrost • Auto Defrost • Time Cook I & II • Express Cook • Instant On Controls • Sound On/Off
- Optional trim kit available**
- Optional Undercabinet mounting kit available†

JEM25GY

Black with greystone case (not shown)

Countertop Microwave Optional Oven Trim Kits



30" Deluxe Trim Kit For 1.8 Cu. Ft. Microwave Ovens

This trim kit allows for built-in installation of the 1.8 countertop microwave oven in a wall or cabinet alone, or over a GE 30" single electric wall oven as shown.

30" Deluxe Trim Kits for Models JE1860 and JE1840

JX1830SB—Stainless Steel, JX1830WB—White, JX1830CB—Bisque, JX1830BB—Black

27" Deluxe Trim Kit For 1.8 Cu. Ft. Microwave Ovens (not shown)

The 27" deluxe trim kit allows a 1.8 countertop microwave oven to be built into a wall or cabinet alone, or over a GE 27" single electric wall oven for a complete one-piece built-in integrated appearance.

27" Deluxe Trim Kits for Models JE1860 and JE1840

JX1827SB—Stainless Steel, JX1827WB—White, JX1827CB—Bisque, JX1827BB—Black



30" Deluxe Trim Kit For 1.6 Cu. Ft. Microwave Ovens

This trim kit allows for built-in installation of the 1.6 countertop microwave oven in a wall or cabinet alone, or over a GE 30" single electric wall oven as shown.

30" Deluxe Trim Kits for Models JE1660 and JE1640

JX1530MWW—White, JX1530MAW—Almond, JX1530MBW—Black

27" Deluxe Trim Kit For 1.6 Cu. Ft. Microwave Ovens (not shown)

The 27" deluxe trim kit allows a 1.6 countertop microwave oven to be built into a wall or cabinet alone, or over a GE 27" single electric wall oven for a complete one-piece built-in integrated appearance.

27" Deluxe Trim Kits for Models JE1660 and JE1640

JX1527MWW—White, JX1527MAW—Almond, JX1527MBW—Black



Deluxe Trim Kits For 1.3 Cu. Ft. GE Profile Performance™ Microwave Ovens

Built-in trim kits allow installation in a wall, cabinet alone, or over a GE 30" or 27" single electric wall oven. Use a convection wall oven under these convection microwave ovens for a complete convection cooking center.

30" Deluxe Trim Kits for Model JE1390

JX1330MWW—White, JX1330MBV—Black

27" Deluxe Trim Kits for Model JE1390

JX1327MWW—White, JX1327MBV—Black



Built-In Trim Kit For .9 Cu. Ft. Microwave Ovens

For a custom built-in appearance, this kit allows built-in installation of the Spacemaker II™ microwave oven into a wall or cabinet alone.

Trim Kits for Models JEM31 and JEM25

JX827SS—Stainless Steel Trim Kits

JX827WN—White Trim Kits

JX827BN—Black Trim Kits



Hanging Kit For .5, .7 and .9 Cu. Ft. Microwave Ovens

This hanging kit allows installation under a cabinet.

Hanging Kit for Models JE510, JE520, JE710, JEM25, JEM31

Pub. No. 4-A019

**Optional Trim Kit—Custom Trim kits available in both 27" and 30" configurations at an additional cost.

†Undercabinet mounting kit—Noted microwave ovens can easily be mounted below your cabinetry, freeing up valuable counter space. A mounting template provides all the necessary measurements for installation on practically any wood or metal cabinets.

Featuring the GE Triton™ Dishwasher.



No pre-rinsing, soaking or scrubbing!

GE Triton™ dishwashers have three wash arms for improved coverage. Every spot on every dish receives a powerful spray. Eliminate recirculating food particles with 100% Triple Water Filtration and Dual Pumps. Food particles are pulverized by the Piranha™ Hard Food Disposer.

You want clean and quiet?



GE Triton™ Dishwashers deliver both!

Now, you don't have to choose between clean and quiet, because the GE Triton™ Dishwasher delivers both! Thanks to GE's advanced technology and TriClean™ Wash System, you get more than clean, you get a quiet kind of clean. By redirecting the spray jets, more water hits the dishes and less hits the tub and door, keeping more of the noise inside the dishwasher. Combining the ActiveVent, GE Profile™ QuietMotor, PermaTuf® Tub and a blanket of insulation, the QuietPower™ III sound package delivers the "Quietest Dishwasher in the U.S.A." So quiet, you will be talking about it, not over it.

"The cleanest wash you never heard."™

Refrigeration

Cooking Products

Microwave Ovens

Dishwashers

Clothes Care

Water Systems

Air Conditioning

GE Triton™ Built-In Dishwashers

These models include • TriClean™ Wash System (3 Wash Arms, 100% Triple Water Filtration with Dual Pumps, Piranha™ Anti-Jamming Hard Food Disposer) • CleanSensor • Electronic controls • SaniWash • SpeedWash™ and SpeedDry™ • China/Crystal cycle* • 8-Hour Delay Start • QuietPower™ III sound package • GE Profile™ QuietMotor • ActiveVent • Quiet Water Valve • Trimless appearance

• Child lock • Super Capacity Plus silverware basket with 2 cell covers **Note: bold = feature upgrade from previous model**

ONLY GE HAS IT!



TriClean™ Wash System has 3 Wash Arms that provide complete coverage eliminating pre-rinsing, soaking and scrubbing.

ONLY GE HAS IT!



100% Triple Water Filtration with Dual Pumps eliminates recirculating food particles.

ONLY GE HAS IT!



Piranha™ Anti-Jamming Hard Food Disposer grinds and pulverizes food particles.



SaniWash cycle reduces 99.999% of the bacteria found on dishes.

Not all features available on all models. For additional features, specifications and color availability, refer to page 216.



GE Profile Performance Series™

Triton™ Dishwasher with TriClean™ Wash System "Quietest in the U.S.A."

GSD5940FSS Stainless steel exterior

- Variable cycles/options
- **Power Pre-Soak option**
- **Super upper rack with 2 rows of fold down tines**
- **SmartShelf with StemSafe** • **Super lower rack with 4 rows of fold-down tines**

GSD5950FCC Bisque (not shown)

GSD5930FWW White on white (not shown)

GSD5920FBB Black on black (not shown)

GSD5910FAA Almond on almond (not shown)



GE Profile Performance Series™

Triton™ Dishwasher with TriClean™ Wash System "Quietest in the U.S.A."

GSD5630DWW White on white

- Variable cycles/options

GSD5650DCC Bisque (not shown)

GSD5640FSS Stainless steel (not shown)

GSD5620DBB Black on black (not shown)

GSD5610DAA Almond on almond (not shown)



*Developed in consultation with Lenox,® the leading manufacturer of fine china.

These models include • TriClean™ Wash System (3 Wash Arms, 100% Triple Water Filtration with Dual Pumps, Piranha™ Anti-Jamming Hard Food Disposer) • Electronic controls • Pots & Pans cycle • China/Crystal cycle* • Hi-Temp Rinse option • Hi-Temp Wash option • Delay Start • SmartShelf • Super Capacity silverware basket • GE Profile™ QuietMotor • Trimless appearance

Note: bold = feature upgrade from previous model

ONLY GE HAS IT!



TriClean™ Wash System has 3 Wash Arms that provide complete coverage eliminating pre-rinsing, soaking and scrubbing.

ONLY GE HAS IT!



100% Triple Water Filtration with Dual Pumps eliminates recirculating food particles.

ONLY GE HAS IT!



Piranha™ Anti-Jamming Hard Food Disposer eliminates the need to pre-rinse dishes.



QuietPower™ Motor is quieter and more energy efficient.



GE Profile™

Triton™ Dishwasher with TriClean™ Wash System "Quietest in the U.S.A."

- GSD5360FSS** Black/Stainless
- 5 cycles/34 options • **Light Wash cycle**
- **QuietPower™ III sound package** • **ActiveVent**
- **Super lower rack with 2 rows of fold down tines**
- **Super Capacity silverware basket with 2 cell covers**

GSD5350DCC Bisque (not shown)

GSD5330DWW White on white (not shown)

GSD5320DBB Black on black (not shown)

GSD5310DAA Almond on almond (not shown)



GE Profile™

Triton™ Dishwasher with TriClean™ Wash System "Quietest for the Money"***

- GSD5130DWW** White on white
- 4 cycles/26 options • Super racks • **QuietPower™ II** sound package • Super Capacity silverware basket with 1 cell cover

GSD5150FCC Bisque (not shown)

GSD5120DBB Black on black (not shown)

GSD5110DAA Almond on almond (not shown)



Not all features available on all models. For additional features, specifications and color availability, refer to page 216.

*Developed in consultation with Lenox,® the leading manufacturer of fine china.
 ***As rated by consumers in the \$375-\$425 price range.

GE Nautilus™ Built-In Dishwashers

These models include • QuietPower™ Motor • HotStart™ option • Normal Wash cycle • Heated Dry On/Off option • Rinse Only (on dial) • Rinse Aid Dispenser • Hi-Temp Wash option • Trimless appearance Note: bold = feature upgrade from previous model



PowerScrub™ Wash System has 2 wash arms mounted on top and lower levels, plus a spray tower in the middle.



QuietPower™ Motor—quieter than GE's previous motor.



HotStart™ option preheats water allowing dishes to be washed at any time.



PermaTuf® Tub won't chip, peel, crack or rust under normal use.

*Developed in consultation with Lenox®, the leading manufacturer of fine china.

Not all features available on all models. For additional features, specifications and color availability, refer to page 217.

GE Nautilus™ “All you'll notice is the clean.”™



GSD3755FCC Bisque (not shown)
GSD3735FWW White on white (not shown)
GSD3725FBB Black on black (not shown)



GSD3455FCC Bisque (not shown)
GSD3425FBB Black on black (not shown)
GSD3415FAA Almond on almond (not shown)



GSD3135FWW White on white (not shown)
GSD3125FBB Black on black (not shown)



GSD2625FBB Black on black (not shown)
GSD2615FAA Almond on almond (not shown)



GSD2335FWW White on white (not shown)

GE
 Built-In Dishwasher
GSD3715FAA
 Almond on almond
 • 7 cycles/39 options • TouchTap™ controls • PowerScrub™ Wash System • QuietPower™ I sound package • Piranha™ Anti-Jamming Hard Food Disposer • Pots & Pans cycle • 6-hour Delay Start option • China/Crystal cycle* • Deluxe Split silverware basket • Deluxe Plus rack system • Rinse Aid Dispenser with indicator

GE
 Built-In Dishwasher
GSD3435FWW
 White on white
 • 6 cycles/31 options • TouchTap™ controls • PowerScrub™ Wash System • QuietDesign™ sound package • Piranha™ Anti-Jamming Hard Food Disposer • Pots & Pans cycle • 6-hour Delay Start option • Deluxe silverware basket • Deluxe rack system • Light Wash cycle

GE
 Built-In Dishwasher
GSD3115FAA
 Almond on almond
 • 5 cycles/22 options • PowerScrub™ Wash System • QuietDesign™ sound package • Piranha™ Anti-Jamming Hard Food Disposer • Pots & Pans cycle • Deluxe silverware basket • Deluxe rack system

GE
 Built-In Dishwasher
GSD2635FWW
 White on white
 • 5 cycles/22 options • QuietDesign™ sound package • Plate Warmer cycle (on dial) • Short Wash cycle • Deluxe silverware basket • Deluxe lower rack

GE
 Built-In Dishwasher
GSD2325FBB
 Black on black
 • 3 cycles/13 options • QuietDesign™ sound package • Deluxe silverware basket • Deluxe lower rack

GE Nautilus™ Convertible Dishwashers

These models include • New PowerScrub™ Wash System • Pots & Pans cycle • Normal Wash cycle • Short Wash cycle (on dial)
 • Plate Warmer cycle (on dial) • Rinse Only cycle (on dial) • HotStart™ option • Heated Dry option • Hi-Temp Wash option • 3 wash levels
 • Deluxe rack system • Rinse Aid dispenser • QuietPower™ motor • Trimless appearance **Note: bold = feature upgrade from previous model**



PowerScrub™ Wash System has 2 wash arms mounted on top and lower levels, plus a spray tower in the middle.



QuietPower™ Motor—quieter than GE's previous motor.



HotStart™ option preheats water allowing dishes to be washed at any time.

ONLY GE HAS IT!



Piranha™ Anti-Jamming Hard Food Disposer eliminates the need to pre-rinse dishes.

*Developed in consultation with Lenox,® the leading manufacturer of fine china.

Not all features available on all models. For additional features, specifications and color availability, refer to page 218.



Portable now



Built-in later



GE
 Convertible Dishwasher
GSC3430FWW/GSC3400FBL
 • 7 cycles/39 options • TouchTap™ control pads • China/Crystal cycle* • 6-hour delay start option • Deluxe upper rack • Deluxe lower rack • Split silverware basket • Rinse Aid dispenser with indicator • QuietPower™ I sound package



GE
 Convertible Dishwasher
GSC3200FBL/GSC3230FWW
 • 5 cycles/22 options • Deluxe upper rack • Deluxe lower rack • Deluxe silverware basket • QuietDesign™ sound package

Refrigeration

Cooking Products

Microwave Ovens

Dishwashers

Clothes Care

Water Systems

Air Conditioning

Spacemaker® Under-the-Sink Dishwashers



Installed under a single sink



Installed under a cooktop



GE

Under-the-Sink Dishwasher

GSM2130FWW/GSM2110FAA

- 5 cycles/12 options • Pots & Pans cycle
- Normal Wash cycle • Short Wash cycle (on dial)
- Rinse Only cycle (on dial) • Plate Warmer cycle (on dial) • HotStart™ option • PermaTuf® interior • Spacemaker® upper rack • Deluxe lower rack • Deluxe silverware basket • 2 wash levels
- QuietPower™ motor

Note: Under-the-Sink dishwashers can be installed under GE cooktop models JP200V and JP201CV. Refer to cooktop installation instructions.

Spacemaker® 18" Built-In Dishwasher



GE

Spacemaker 18" Built-In Dishwasher

GSS1800Z

- 4 cycles/6 options • 2 wash levels • Pots & Pans cycle • Normal Wash cycle (on dial) • Light Wash cycle (on dial) • Standard silverware basket • Heated Dry On/Off option • Reversible color panels Black/Harvest, Almond/White

Disposall®—The Original Disposer

These models include • Stainless steel dual swivel anti-jam impellers • Precutter • Reinforced polyester grind chamber (hopper) • Stainless steel flange • Sink stopper • Dishwasher drain connector • Manual reset overload protector



GFC1000Y



GFC800Y



GFC700Y/GFC705Y



GFC300Y/GFC305Y



GFC290Y/GFC295Y



GFB1050V

GE Continuous Feed Disposers

GFC1000Y

- Rugged 3/4-horsepower motor • 8000 RPM grinding action
- Super Deluxe sound insulation • Power Boost feature for heavy loads • Fast Mount installation • Removable splash guard

GFC800Y

- 1/2-horsepower motor • 8000 RPM grinding action
- Deluxe sound insulation • Fast Mount installation
- Removable splash guard

GFC700Y

- 1/2-horsepower motor • 8000 RPM grinding action
- Standard sound insulation • Fast Mount installation
- Removable splash guard

GFC705Y

Similar to GFC700Y but has attached line cord.

GFC300Y

- 1/2-horsepower motor • 8000 RPM grinding action
- Fast Mount installation • Removable splash guard

GFC305Y

Similar to GFC300Y but has attached line cord.

GFC290Y

- 1/3-horsepower motor • 8000 RPM grinding action
- Fast Mount installation • Removable splash guard

GFC295Y

Similar to GFC290Y but has attached line cord.

GE Batch Feed Disposers

GFB1050V

- Rugged 3/4-horsepower motor • 2700 RPM grinding action
- Super Deluxe sound insulation • Twist Mount installation

Where local codes permit, any GE Dishwasher and any GE Disposer may be connected to a single 20-amp circuit.

White and Almond flanges are available: GPF71 (White) and GPF72 (Almond).

Built-In Compactors



GE Profile™

Compactor

GCG1540FSS Stainless steel

- Built-in only • 1.4 cu. ft. capacity
- 1/3-horsepower • Removable key lock
- Toe pedal opener • Rear wheels allow easy movement and installation
- Heavy-gauge steel construction

GCG1550FCC Bisque (not shown)

GCG1530FWW White on white (not shown)

GCG1520FBB Black on black (not shown)

Not all features available on all models.
For additional features, specifications and color availability, refer to page 220.

Introducing the new Wizard—
GE's best washer and dryer system, ever. "Simply Brilliant!"



The Wizard has a marvelous way with laundry. It not only gets clothes clean—it makes life easier. The new Wizard washer and dryer work wonders. Engineered with the innovative Adaptive Logic System™, Wizard does the thinking so you don't have to. For each load, this system optimizes cycle time by taking into account such household variables as the water heater temperature setting and the length of dryer ducts. It learns and adjusts washer and dryer cycle times based on load sizes and fabric types. The more the Adaptive Logic System™ learns about your household and your laundry, the more accurate it becomes. Imagine a washer that doesn't leave soapy residue and a dryer that dries clothes evenly. Adaptive Logic senses what needs to be done and does it with amazing accuracy—all you have to do is press a button. That's the magic of the Wizard.

Introducing a new definition of clean.



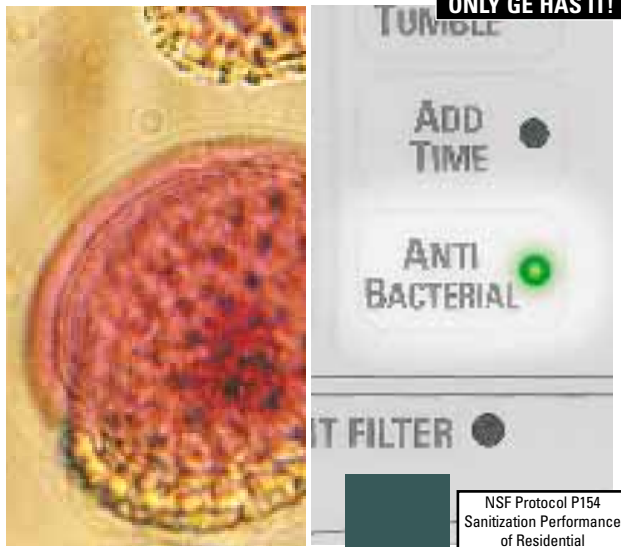
Stain Wash

Stain Wash eliminates or reduces the need for pretreating, alternating soak and agitation. It can be used on any fabric, any cycle.



Speed Wash and Speed Dry

When you need it quick...washes and dries a soccer uniform, school uniform or golf outfit...about 50% faster than the other Speed Wash/Speed Dry Systems on the market.



Antibacterial Dryer Option

Reduces 99.9% of certain types of bacteria, including Staphylococcus aureus, Pseudomonas aerignosa, and Klebsiella pneumoniae, NSF certified. A GE exclusive.



Adaptive Logic System™

Adaptive Logic is amazingly accurate. From fill to finish, this system automatically adjusts cycle times according to household conditions, like the length of dryer ducts and the distance of the washer from the water heater, giving you an accurate cycle time.

Refrigeration

Cooking

Microwave Ovens

Dishwashers

Clothes Care

Water Systems

Air Conditioning

GE Profile Performance Series™ Wizard Washer and Dryer



**GE Profile Performance Series™
WPSE7003A shown with
DPSE592EA/DPSE592GA**

Washer Features



Stain Wash eliminates or reduces the need for pre-treating, alternating soak and agitation. It can be used on any fabric, any cycle.



Speed Wash thoroughly cleans clothes and makes them bright in a matter of minutes—perfect for families on the go.

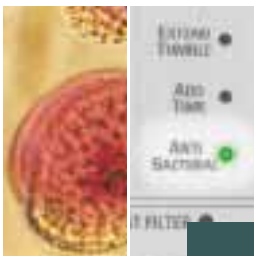


The Adaptive Logic System™ automatically adjusts cycle times according to household conditions, like the length of dryer ducts and the distance of the washer from the water heater, giving you an accurate cycle time.



PerfectTemp Plus is GE's most accurate temperature control system. That means it has the extraordinary ability to maximize detergent's effectiveness, while minimizing shrinking, fading and wrinkling.

Dryer Features



Antibacterial Dryer Option Reduces 99.9% of certain types of bacteria, including *Staphylococcus aureus*, *Pseudomonas aeruginosa*, and *Klebsiella pneumoniae*, NSF certified. A GE exclusive.



Speed Dry when the pressure's on to get out the door in a matter of minutes.



Sensor Dry Plus prevents overdrying and underdrying, extending the life of clothes. It's 20% better than the current system.



Deluxe Dryer Rack allows you to conveniently dry tennis shoes and stuffed animals.

- This washer includes*** • One-Touch operation • Adaptive Logic System™ • Precision Care Wash System • 3.2 Super Capacity Plus
- PerfecTemp Plus • Stain Wash cycle • Multiple cycle selections • 5 speed combinations • Speed Wash • Custom cycles
 - Extended Soak/Presoak • Extended Spin • Second rinse • End-of-Cycle signal • Lifetime basket warranty • Delay Start (1-8 hours)
 - Hush Quiet Plus • Digital Countdown • SpotSpray • Full 10-year warranty



GE Profile Performance Series™
Super 3.2 cu. ft. Capacity Plus Washer
WPSE7003A



- This dryer includes*** • One-Touch operation • Adaptive Logic System™ • Sensor Dry Plus • Antibacterial option • Speed Dry • Delicate cycle • Wrinkle Care Extended Tumble • Multiple cycle selections • 5 heat selections • Custom cycles • Hush Quiet Plus • Interior drum light • End-of-Cycle signal • Dryel® cycle • Dewrinkle cycle • Digital Countdown • Deluxe Dryer Rack • Full 10-year warranty



GE Profile Performance Series™
Super 7.0 Cu. Ft. Capacity Dryer
DPSE592EA/DPSE592GA



Not all features available on all models.
For additional features, specifications and color availability, refer to pages Z21-Z22.

GE's Prodigy™ washer with the Precision Care Wash System helps ensure your clothes look better than ever, longer than ever.

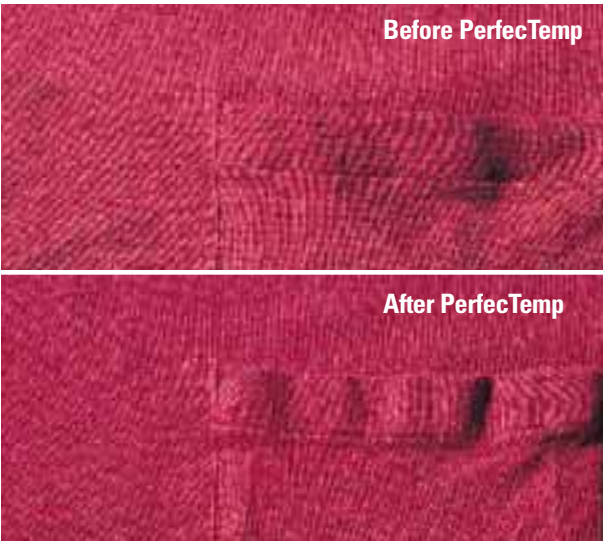


GE has a finger on the pulse of today's consumers. Americans are busier than ever, which means we have less time to devote to laundry. It's still possible to keep clothes looking their best, with the GE Precision Care Wash System that cleans clothes gently and effectively. The unique step-down agitation alternates soak and agitation times to get clothes clean and reduce wear, keeping clothes looking new longer.



A distinctive GE washer that washes clothes in a totally new way.

Different cycles on old washers only changed the amount of time spent scrubbing clothes. The GE Prodigy washer changes time, agitation speed and soak time. The washer is programmed to offer the best combination for different types of fabrics to keep them looking better than ever.



The extraordinary GE Prodigy washer with PerfectTemp.

PerfectTemp regulates water temperature to maximize detergent's effectiveness and to minimize shrinking, fading and wrinkling.



ONLY GE HAS IT!

GE's Exclusive Auto Balance Suspension System

The GE Prodigy™ Washer can spin out a large bath mat every time without banging, walking or becoming unbalanced. That's because it has a suspension system unlike any other. The washer's tub is suspended from four separate springs that act like shock absorbers. Their movement during the wash cycle helps redistribute uneven loads, even when washing a king-sized cotton comforter—so you won't be left with a sopping mess afterwards.

Additional Washer Features



Super Capacity Plus with 3.2 cu. ft. Now you can wash more at one time, saving you time, energy and money.



SpotSpray, a 7-second burst of water, allows you to pretreat a stain before adding the clothes to the wash. It's like having a sink in your washer.



ONLY GE HAS IT!

The **Exclusive** Auto Balance Suspension System keeps the washer balanced even if the load is unbalanced.



ONLY GE HAS IT!

ColorLogic™ 2000 color-coded cycle buttons take the guesswork out of doing laundry. Just match the colors!



The GentlePower™ Agitator adapts to the clothes load providing gentle and effective washing action.

Additional Dryer Features



Deluxe Dryer Rack allows you to conveniently dry tennis shoes and stuffed animals.



Sensor Dry dries clothes more evenly and efficiently. No more underdrying or overdrying your clothes!



ONLY GE HAS IT!

The **Exclusive** adjustable Drying Center provides a convenient place to dry garments or hang clothes straight from the dryer, minimizing wrinkling.



ONLY GE HAS IT!

ColorLogic™ 2000 color-coded cycle buttons take the guesswork out of doing laundry. Just match the colors!



QuietDrum™ is wrapped with additional sound-deadening material that muffles buckle and button noises.

Not all features available on all models.

GE Profile Performance Series™ and GE Profile™ Prodigy™ Washers and Dryers



**GE Profile Performance Series™
WPSE5290A shown with DPSR513EA/DPSR513GA**



**GE Profile™
WPSE4200A shown with DPSR483EA/DPSR483GA**

This washer includes • Rotary controls • Cycle countdown • GentlePower™ Agitator • PermaTuf II™ Basket • Self-cleaning filter • Bleach dispenser • Fabric softener dispenser • ColorLogic™ 2000 • Exclusive Auto Balance Suspension System • PerfectTemp Wash System • 15/30 minute Auto Soak • 5 wash/spin speed combinations • Variable water levels • 29 wash cycles • SpotSpray • Hush Quiet • New stain guide • End-of-cycle signal • Second Rinse • Extended Spin • Second Rinse/Extended Spin



**GE Profile Performance Series™
Super 3.2 cu. ft. Capacity Plus Washer
WPSE5290A**

This dryer includes • Wrinkle Care • ColorLogic™ 2000 • DuraDrum™ interior • Removable up-front lint filter • Reverse-A-Door • End-of-cycle signal • Dryer interior light • 13 drying cycles • 5 heat selections • Sensor Dry • Deluxe dryer rack • Drying Center • Humidity sensor light • Hush Quiet • Dryel® Cycle



**GE Profile Performance Series™
Super 7.0 Cu. Ft. Capacity Dryer
DPSR513EA/DPSR513GA**

Not all features available on all models.
For additional features, specifications and color availability, refer to pages 221-222.

These washers include • GentlePower™ Agitator • PermaTuf II™ Basket • Self-cleaning filter • Bleach dispenser • Fabric softener dispenser • ColorLogic™ 2000 • Exclusive Auto Balance Suspension System • PerfecTemp Wash System • 15/30 minute Auto Soak • 4 wash/spin speed combinations • Second Rinse • Extended Spin • Cycle Countdown

Note: bold = feature upgrade from previous model



GE Profile™
Super 3.2 cu. ft. Capacity Plus Washer
WPSE4270A

• 4 wash/spin speed combinations • 4 wash/rinse temperatures • **Variable water levels** • **27 wash cycles** • **SpotSpray** • 2nd Rinse/Extended Spin • **New stain guide** • **Deluxe Quiet Plus**



GE Profile™
Super 3.2 cu. ft. Capacity Plus Washer
WPSE4200A

• 4 wash/spin speed combinations • 4 wash/rinse temperatures • 4 water levels • 20 wash cycles • **Deluxe Quiet** • **2nd Rinse/Extended spin**

These dryers include • Wrinkle Care • ColorLogic™ 2000 • DuraDrum™ interior • Removable up-front lint filter • Reverse-A-Door • Dryer interior light • Humidity sensor light • Drum lamp • Deluxe Quiet

Note: bold = feature upgrade from previous model



GE Profile™
Super 7.0 Cu. Ft. Capacity Dryer
DPSR405EA/DPSR405GA

• **Sensor Dry** • **10 drying cycles** • 4 heat selections • **Deluxe end-of-cycle signal**



GE Profile™
Super 7.0 Cu. Ft. Capacity Dryer
DPSR483EA/DPSR483GA

• Automatic Dry Control • 8 drying cycles • 4 heat selections • Interior light • **Variable end-of-cycle signal**



GE Profile™
Extra-Large 6.0 Cu. Ft. Capacity Dryer
DPXR483EA/DPXR483GA

• Automatic Dry Control • 8 drying cycles • 4 heat selections • Interior light • **Fixed end-of-cycle signal**

GE Washers

These washers include • Exclusive Auto Balance Suspension System • PermaTuf II™ Basket • Self-cleaning filter • Quiet-By-Design™

Note: bold = feature upgrade from previous model



Super Capacity Plus with 3.2 cu. ft. Now you can wash more at one time, saving you time, energy and money.



Cycle Countdown Lights let you know how much time is left in the cycle.



The GentlePower™ Agitator adapts to the clothes load providing gentle and effective washing action.



The **Exclusive** Auto Balance Suspension System keeps the washer balanced even if the load is unbalanced.

Not all features available on all models. For additional features, specifications and color availability, refer to page 221.



GE
Super 3.2 cu. ft.
Capacity Plus Washer
WWSE3160A
• 3 wash/spin speed combinations • **16 wash cycles** • **4 water levels** • 3 wash/rinse temperatures
• Cycle Countdown • **Quick Rinse**
• **2nd Rinse**



GE
Super 3.2 cu. ft.
Capacity Plus Washer
WJSE3110A
• 3 wash/spin speed combinations
• **11 wash cycles** • 3 water levels
• 3 wash/rinse temperatures
• Cycle Countdown • **Bleach dispenser** • **Fabric dispenser**



GE
Super 3.2 cu. ft.
Capacity Plus Washer
WBSE2090A
• 2 wash/spin speeds • **9 wash cycles** • 3 water levels • 3 wash/rinse temperatures • Cycle Countdown



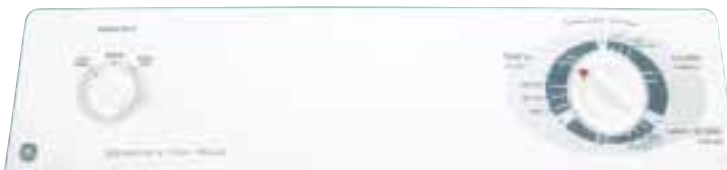
GE
Super 3.2 cu. ft.
Capacity Washer
WJSR1070A
• 2 wash/spin speed combinations
• **7 wash cycles** • 3 water levels
• 3 wash/rinse temperatures



GE
Super 3.2 cu. ft.
Capacity Washer
WWSR1060A
• 1 wash/spin speed combination
• 6 wash cycles • 3 water levels
• 3 wash/rinse temperatures



GE
Extra-Large 2.7 Cu. Ft.
Capacity Washer
WBXE2070A
• 2 wash/spin speeds • 7 wash cycles • 3 water levels • 3 wash/rinse temperatures • **Cycle Countdown**



GE
Extra-Large 2.7 Cu. Ft.
Capacity Washer
WBXR1090A
• 1 wash/spin speed combination
• 9 wash cycles • 3 water levels • 3 wash/rinse temperatures (locked)

GE Dryers

These dryers include • Automatic Dry Controls • Rotary Controls • Removable up-front lint filter • Reverse-A-Door

• Quiet-By-Design™

Note: bold = feature upgrade from previous model



GE dryer provides custom dry cycles to gently care for your clothes.



An extra-wide opening provides easy access to our 7.0 cu. ft. of total dryer capacity.



Reverse-A-Door is the ultimate in flexibility. Change door swing to accommodate your laundry area.



Up-Front Lint Filter is close at hand for cleaning, optimizing dryer performance.



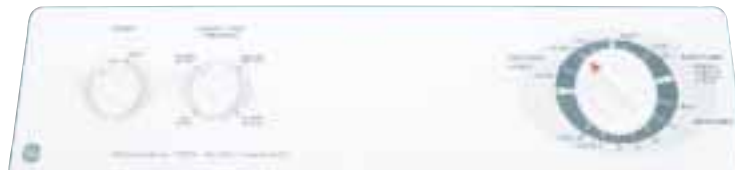
GE
Super 7.0 cu. ft. Capacity Dryer
DWSR483EA/DWSR483GA
• 8 drying cycles • 4 heat selections • Variable end-of-cycle signal • **Wrinkle Care**



GE
Super 7.0 cu. ft. Capacity Dryer
DBSR453EA/DBSR453GA
• 5 drying cycles • 4 heat selections • Interior light • Fixed end-of-cycle signal



GE
Extra-Large 6.0 cu. ft. Capacity Dryer
DWXR483EA/DWXR483GA
• 8 drying cycles • 4 heat selections • Interior light • **Variable end-of-cycle signal**



GE
Extra-Large 6.0 cu. ft. Capacity Dryer
DBXR453EA/DBXR453GA
• 5 drying cycles • 4 heat selections • Interior light



GE
Extra-Large 5.7 cu. ft. Capacity Dryer
DBL333EA/DBL333GA
• 3 drying cycles • 3 heat selections



GE
Extra-Large 5.7 cu. ft. Capacity Dryer
DVL223EA/DVL223GA
• 2 drying cycles • 2 heat selections

Not all features available on all models. For additional features, specifications and color availability, refer to page 222.

Refrigeration

Cooking

Microwave Ovens

Dishwashers

Clothes Care

Water Systems

Air Conditioning

Front Loading Washers and Dryers

The solution to a tight situation. Space saving models install in tight areas, while handling family-size loads.

These flexible units can be installed stacked to fit in tight areas, raised and built-in for style and easy access, under a counter to create an efficient work space, or side-by-side for a classic, free-standing look. Front loading laundry pairs give you the true flexibility you want, and the capacity you need to finish the laundry a lot faster!

Washer Features



Automatic Water Fill eliminates guesswork and water waste. Automatically adjusts water level to size and type of load. Water fill level remains below the door. Profile™ model only.



Automatic Dispenser automatically dispenses detergent, bleach and fabric softener at just the right time in the wash cycle.

Dryer Feature



The sturdy Dryer Rack is designed to dry items such as washable sneakers and stuffed animals, and is easy to insert and remove.



Stack installation—Stacking kit included with dryer. (WPXH214A/DPXH46EA/GA shown)



Built-in installation (WPXH214A/DPXH46EA/GA shown)

Not all features available on all models.

**GE Profile™**

120V Front-loading Washer

WPXH214A White on white

- Extra-Large 2.7 cu. ft. capacity • High efficiency washer • 14 wash cycles • 7 wash/rinse temperatures • Automatic water level adjustment • Extra-Rinse Cycle/Auto Option • AutoTemp
- Quick Wash • ColorLogic™ 2000 • Adjustable Final Spin Speed • Fabric Softener Dispenser
- Bleach Dispenser • Fixed end-of-cycle signal • Deluxe Quiet • Energy Star • Available in White on white and Bisque

**GE Profile™**

240V Front-loading Dryer

DPXH46EA/GA White on white

- Extra-Large 5.7 cu. ft. capacity • Tumble drying • Time Dry cycle • 3 Auto Dry cycles
- 4 temperature options • 2 Wrinkle Care cycles • Moisture Sensor • Drying Rack
- Fixed end-of-cycle signal • ColorLogic™ 2000 • Reverse-A-Door • Available in White on white and Bisque

**GE**

120V Front-loading Washer

WSXH208A White on white

- Extra-large 2.7 cu. ft. capacity • High efficiency washer • 8 cycles: Regular (Heavy Soil, Medium Soil), Permanent Press (Medium Soil, Light Soil), Knits/Delicates, Pre-Wash, Extra-Rinse Cycle/Auto Option, 3 standard rinse cycles
- 4 wash/rinse temperatures
- Automatic water level adjustment
- Fabric Softener dispenser
- Bleach dispenser

**GE**

240V Front-loading Dryer

DSXH43EA/GA White on white

- Extra-large 5.7 cu. ft. capacity
- Tumble drying • Timed Dry cycle
- 2 Auto Dry cycles (Cottons, Easy Care) • 3 temperature options
- Air Fluff (No Heat) • End-of-cycle signal • Drum light • Reverse-A-Door
- Dryer rack

Spacemaker®: Portable/Stationary Models



Extra-Large 2.7 cu. ft. stainless steel tub with lint filters.



Easily accessible detergent/fabric softener dispenser.



GE
120V Portable/Topload Washer
WSLP1100A White on white, Almond on almond or White with black controls • 24" extra-large capacity • 1 wash/spin speed • 10 cycles • 4 wash/rinse temperatures • 4 water levels • Load sensing • Electronic controls • Digital countdown • Bi-fold lid • Bleach dispenser • Fabric softener dispenser • Lint filters • Easy roll rollers • Unicouple connector quickly attaches to a faucet adaptor

120V Stationary/Topload Washer
WLS1100A White on white or Almond on almond (not shown) • 24" extra-large capacity • 1 wash/spin speed • 10 cycles • 4 wash/rinse temperatures • 4 water levels • Load sensing • Electronic controls • Digital countdown • Bi-fold lid • Bleach dispenser • Fabric softener dispenser • Lint filters



GE
120V Portable Washer
WSKP2060W White with granite-look top • 2 wash/spin speeds • 6 cycles • 3 wash/rinse temperatures • 4 water levels • Unicouple connector quickly attaches to a faucet adaptor

120V Stationary Washer
WSKS2060W (not shown)



GE
240V Stationary Dryer
DSKS433EA White on white or Almond on almond
• 3 drying cycles • 4 Heat selections



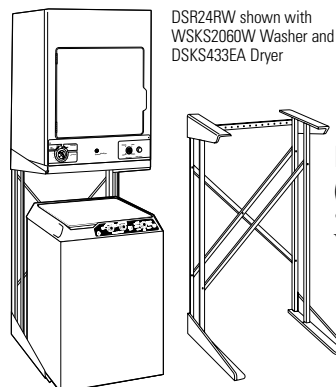
DSL24AW shown with WSLP1100A Washer and DSKS433EA Dryer

DSL24AW Stack Rack with Light
White on white or Almond on almond

(Available at additional Cost)
• For use with Portable or Stationary Washers and Stationary Dryer



GE
120V Portable/Stationary Dryer
DSKP233EW White with black control panel
• 3 drying cycles • 2 Heat selections • 15-amp dryer cord attached



DSR24RW shown with WSKS2060W Washer and DSKS433EA Dryer

DSR24RW Stack Rack White (only)
(Available at additional Cost)
• For use with Portable or Stationary Washers and Dryers

Not all features available on all models. For additional features, specifications and color availability, refer to page 226.

Unitized Spacemaker® Washer/Dryer Models



GE
 Full Size 27" Unitized Washer/Dryer
WSM2700W Electric
WSM2780W Gas
 White on white or Almond on almond
 • Extra-large capacity washer features 3 cycles, 3 wash temperature options, 3 water level selections • Dryer features Automatic Dry Control and has 4 cycles



GE
 24" Unitized Washer/Dryer
WSM2420T Electric
WSM2480T Gas
 White on white (electric model also available in Almond on almond) • Washer features 3 cycles, 3 wash/rinse temperatures, 3 water levels • Dryer features Automatic Dry Control and has 4 cycles

Refrigeration

Cooking

Microwave Ovens

Dishwashers

Clothes Care

Water Systems

Air Conditioning

Not all features available on all models.
 For additional features, specifications and color availability, refer to page 227.

Improve the most important element in your home. Water!



GE SmartWater only sold through authorized retailers.



Water that is good for you, and your home.

As the Number One appliance brand in America, GE understands families and their homes. We know the importance of healthy, better tasting water; energy and cost savings, softer, brighter laundry and cleaner dishes, as well as improved appliance efficiency. That's why we offer SmartWater filtration and softening systems. Although you may not know the quality of the water coming into your home, we know that you're concerned about it. But, not to worry, you know you can depend on the GE brand—one of the most trusted names in the world. From cooking to cleaning to drinking, GE SmartWater can improve your home!

GE SmartWater only sold through authorized retailers.

Refrigeration

Cooking Products

Microwave Ovens

Dishwashers

Clothes Care

Water Systems

Air Conditioning

Water that's good for you.



Drinking Water Filtration

If you're one of the 75% of Americans concerned about the quality of your water,* GE SmartWater offers several ways to improve the quality of your water for drinking and cooking. Whether you choose our Premium Filtration—Reverse Osmosis, Carbon Filtration System, or a Refrigerator Icemaker filter, GE SmartWater has the system to meet your specific needs. These products can reduce such contaminants as lead, cysts, certain chemicals and reduce undesirable taste and odors in your water, while providing several options for easy installation. So enjoy quality, healthy water in your home today with a GE SmartWater drinking water filtration system.

Enjoy all the benefits of filtered drinking water



Healthy water—Provides added assurance of healthy drinking water.



Better tasting water—Healthy water for drinking and making beverages such as coffee, tea and juice.



Great for cooking—Cooking with filtered water provides great tasting foods.



NSF certified—All GE SmartWater™ drinking water filtration products are certified by NSF, the most highly recognized independent testing institution for water treatment products.

*WQA Consumer survey, 1997.

GE SmartWater only sold through authorized retailers.

Not all features available on all models.

What type of drinking water filtration is right for your family?



Premium Filtration: Reverse Osmosis

GE's best filtration process offers dual carbon filtration with Reverse Osmosis technology. Premium filtration units offer various installation options and designer-style faucets. All Premium filtration systems reduce up to 99% of the following contaminants: **Sediment, Rust, Bad Taste & Odor, Chlorine, Lead, Cysts, Mercury, Nitrates/Nitrites, Sodium, Ammonia, Tannin, Sulfate, Magnesium, and more!**

Carbon Filtration

This most common type of filtration utilizes pre- and post-carbon filters (Dual Stage) to reduce contaminants in your water. They're easy to install and maintain. A wide variety of filter options can provide reduction of the following contaminants: **Sediment, Rust, Bad Taste & Odor, Chlorine, Lead and Cysts.**

Refrigerator and Icemaker Filter

This filter is the perfect choice to provide cleaner, clearer, healthy ice. The GE SmartWater filter works on **all** types and brands of refrigerators, offering great tasting ice and water from your dispenser.

GE SmartWater only sold through authorized retailers.

Not all features available on all models.

Monitored Premium Drinking Water Filtration—Reverse Osmosis GE Profile Performance™ System

GE's Best Filtration Process

Provides the added assurance of healthy water for your family

This model includes

Note: bold = feature upgrade from previous model

GE's Best Filtration Process works to reduce up to 99%* of these elements shown at right:

Reduces	
<i>Lead</i>	<i>Mercury</i>
<i>Cysts</i>	<i>Copper</i>
<i>Taste & Odor</i>	<i>Sodium</i>
<i>Chlorine</i>	<i>Magnesium</i>
<i>Sediment</i>	<i>Sulfate</i>
<i>Rust</i>	<i>Ammonia</i>
<i>Nitrate/Nitrite</i>	<i>Tannins</i>
And More!	

Super Capacity provides up to 18 gallons** of high-quality filtered water per day.

All In One System—Space-saving design installs in less space than conventional models.

SmartWater™ Faucet with Electronic Monitor conveniently indicates the performance of the unit and when to replace filters and membrane. Separate faucet is used only when filtered water is needed, extending filter life. Note: Batteries are included.

Amber "Filter" Light: The pre-filter and post-filter cartridges need replacement. This occurs after 6 months, or 900 gallons of product water use, whichever occurs first.



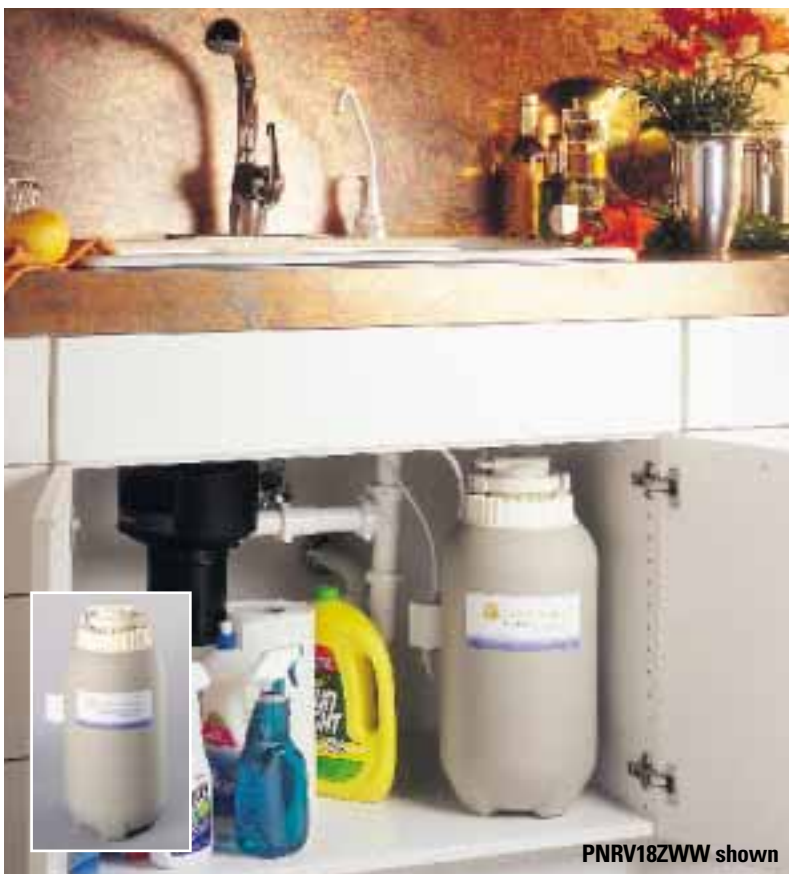
Green "OK" Light: The RO system is providing high-quality drinking water.

Amber "RO" Light: The RO membrane needs replacement.

Designer-Style Faucet allows you to customize the faucet color to complement the kitchen (see right for model/color selections).

Installation Flexibility—Can be installed vertically or horizontally undercounter, in basement or other convenient location.

NSF Certified—NSF is the most highly recognized independent testing institution in the water treatment industry. NSF inspects, tests and certifies our product performance.



GE Profile Performance Series™

PNRV18ZWW

Reverse Osmosis Filtration System with White on white faucet and monitor



GE Profile Performance Series™

PNRV18ZBB

Reverse Osmosis Filtration System with Black on black faucet and monitor



GE Profile Performance Series™

PNRV18ZWH

Reverse Osmosis Filtration System with Chrome on white faucet and monitor



GE Profile Performance Series™

PNRV18ZBL

Reverse Osmosis Filtration System with Chrome on black faucet and monitor

*Elements reduced are not necessarily present in your water. See product specification sheet, packed with product, for specific elements reduced by model, or call the GE Answer Center™ toll-free, 800.626.2000.

**As tested and validated by the Water Quality Association using Standard S-300. Note: Depends on water pressure, temperature and total dissolved solids.

GE SmartWater only sold through authorized retailers.

Not all features available on all models. For additional features, specifications and color availability, refer to page 228.

Monitored Premium Drinking Water Filtration—Reverse Osmosis GE Profile™ System

This model includes

Note: bold = feature upgrade from previous model

GE's Best Filtration Process Works to reduce up to 99%* these elements shown at right:

Reduces	
<i>Lead</i>	<i>Mercury</i>
<i>Cysts</i>	<i>Copper</i>
<i>Taste & Odor</i>	<i>Sodium</i>
<i>Chlorine</i>	<i>Magnesium</i>
<i>Sediment</i>	<i>Sulfate</i>
<i>Rust</i>	<i>Ammonia</i>
<i>Nitrate/Nitrite</i>	<i>Tannins</i>
And More!	

Extra-Large Capacity provides up to 12 gallons** of high-quality filtered water per day.

SmartWater™ Faucet with Electronic Monitor

Conveniently indicates the performance of the unit and when to replace filters and membrane. Separate faucet is used only when filtered water is needed, extending filter life.

Note: Batteries are included.

Amber "Filter" Light: The pre-filter and post-filter cartridges need replacement. This occurs after 6 months, or 900 gallons of product water use, whichever occurs first.

Green "OK" Light: The RO system is providing high-quality drinking water.

Amber "RO" Light: The RO membrane needs replacement.

Simple Installation—Can be installed easily undercounter, in basement or other convenient location.

NSF Certified—NSF is the most highly recognized independent testing institution in the water treatment industry. NSF inspects, tests and certifies our product performance.



GE Profile™ PNRV12ZBL

Reverse Osmosis Filtration System (includes tank) with Chrome on black Faucet and Monitor

Premium Drinking Water Filtration—Reverse Osmosis GE System

This model includes

Note: bold = feature upgrade from previous model

GE's Best Filtration Process Works to reduce up to 99%* of the following elements:

Reduces	
<i>Lead</i>	<i>Mercury</i>
<i>Cysts</i>	<i>Copper</i>
<i>Taste & Odor</i>	<i>Sodium</i>
<i>Chlorine</i>	<i>Magnesium</i>
<i>Sediment</i>	<i>Sulfate</i>
<i>Rust</i>	<i>Ammonia</i>
<i>Nitrate/Nitrite</i>	<i>Tannins</i>
And More!	

Large Capacity provides up to 10 gallons** of high-quality filtered water per day.

SmartWater™ Faucet—

Separate Black on Chrome short-reach faucet is used only when filtered water is needed, extending filter life.

Simple Installation—Can be installed easily undercounter, in basement or other convenient location.

NSF Certified—NSF is the most highly recognized independent testing institution in the water treatment industry. NSF inspects, tests and certifies our product performance.



GE GXRV10ABL

Reverse Osmosis Filtration System (includes tank) with short-reach chrome on black faucet

GE SmartWater only sold through authorized retailers.

Not all features available on all models. For additional features, specifications and color availability, refer to page 228.

Refrigeration

Cooking Products

Microwave Ovens

Dishwashers

Clothes Care

Water Systems

Air Conditioning

Under Sink Dual Stage Carbon Drinking Water Filtration GE Systems

Note: bold = feature upgrade from previous model



Simple Installation—Can be easily installed under a sink, in basement or another convenient location.



GE GXSV10C*

- Short-reach faucet with electronic monitor. Amber filter light indicates when to replace filters to ensure highest quality water.
- **Quick connect installation fittings.**
- **Chemicals/VOC, lead and cyst reduction filters included (FXSVC dual pack)**
- System rated for 540 gallons of water

Reduces

Chemicals/VOC
Lead
Cysts
Asbestos
Taste & Odor
Chlorine
Sediment
Rust



SmartWater™ Faucet—Separate faucet is used only when filtered water is needed, extending filter life.



GE GNSV30C/GNSV25C

- Long-reach black/chrome faucet with electronic monitor. Amber filter light indicates when to replace filters to ensure highest quality water.
- **Quick connect installation fittings.**
- **Chemical/VOC lead and cyst reduction filters included (FXSVC dual pack)**
- System rated for 540 gallons of water

Reduces

Chemicals/VOC
Lead
Cysts
Asbestos
Taste & Odor
Chlorine
Sediment
Rust



NSF Certified—NSF is the most highly recognized independent testing institution in the water treatment industry. NSF inspects, tests and certifies our product performance.



GNSV30CWW
White on white



GNSV30CCC
Bisque

GE GNSV30C

Customize your faucet to match your kitchen with a choice of faucet colors.

*Sold in overpacks of 4.

GE SmartWater only sold through authorized retailers.

Not all features available on all models. For additional features, specifications and color availability, refer to page 229.



- GE GNSL05CBL**
- Long-reach faucet with electronic monitor.
 - **Lead and cyst reduction filters included (FXSLC dual pack)**
 - System rated for 1250 gallons of water

Reduces
Lead
Cysts
Taste & Odor
Chlorine
Sediment
Rust

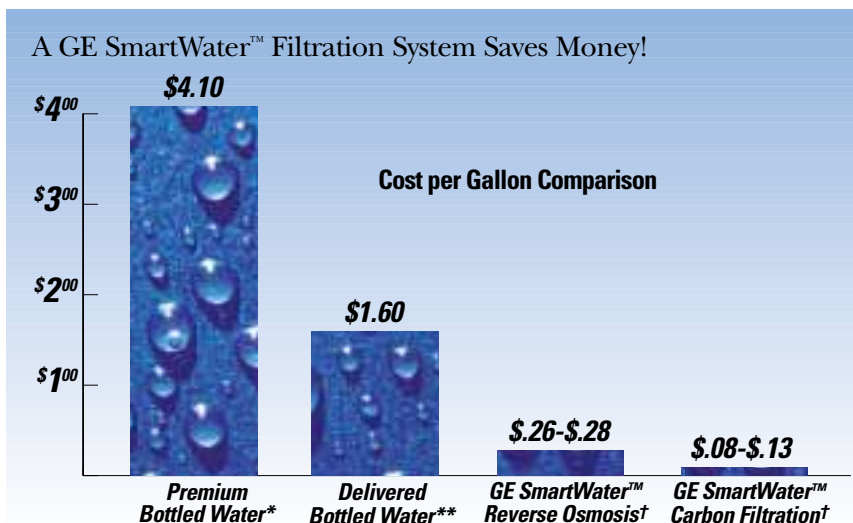


- GE GXSL03C***
- Short-reach faucet without electronic monitor.
 - **Quick connect installation fittings.**
 - **Lead and cyst reduction filters included (FXSLC dual pack)**
 - System rated for 1250 gallons of water

Reduces
Lead
Cysts
Taste & Odor
Chlorine
Sediment
Rust

*Sold in overpacks of 4.

GE SmartWater™ Filtration Systems vs. Bottled Water: A Cost Comparison



Eliminates the expense and inconvenience of purchasing bottled water at a store or scheduling home delivery of bottled water.

*National average price of "Premium" bottled water.
 **Average cost per gallon for delivered bottled water.
 †GE SmartWater™ estimate is calculated by dividing the number of gallons by consumer cost of product, installation and replacement filters.

Under Sink Single Stage Carbon Drinking Water Filtration GE Systems

Note: bold = feature upgrade from previous model



Simple Installation—Can be easily installed under a sink, in bathroom or mini bar.



SmartWater™ Faucet—Separate faucet is used only when filtered water is needed, extending filter life.



GE GX1S15C/GN1S15C*

- Short-reach faucet without electronic monitor
- Quick connect installation fittings (GX1S15C only)
- **Lead and Cyst Reduction**
Filter included (FXULC)
- System rated for 1250 gallons of water

Reduces

Lead
Cysts
Taste & Odor
Chlorine
Sediment
Rust



GE GX1S01C**

- Flexible installation options—install directly on kitchen faucet or use accessory faucet (sold separately) for filtered water only on demand (UNFCTBL, UNFCTWW).
- System rated for 3000 gallons of water when used with FXUTC filter (sold separately)

Reduces

Taste & Odor
Chlorine
Sediment
Rust

When used with FXUTC Filter

Refrigerator and Icemaker Drinking Water Filtration GE Systems

Note: bold = feature upgrade from previous model



Quick Connect Auto Shut Off Fittings allow for easy installation and replacement of filter.



GE SmartWater filters work on any brand side-by-side and top-freezer refrigerators with or without dispensers.



GE GX1LO

- Quick connect auto shut off fittings • **Filter reduces Lead, Cyst, Chlorine, Bad Taste & Odor and Sediment** • System rated for 750 gallons of water

GXITQ (not shown)

- Quick connect auto shut off fittings • Filter reduces Chlorine, Bad Taste & Odor and Sediment • System rated for 2000 gallons of water

GXITQR (not shown)

- Replacement filter only for GXITQ

*Sold in overpacks of 8.
**Sold in overpacks of 6.

GE SmartWater only sold through authorized retailers.

Not all features available on all models.
For additional features, specifications and color availability, refer to pages 229-230.

GE SmartWater TrueFit™ Drinking Water Filtration Systems Replacement Filters

Dual and Single Stage Carbon Filtration

Our GE TrueFit™ Filters fit into most water filtration systems: even those made by other major manufacturers including Omni, Kenmore, Culligan™ and more!

GE filters are easy to use: even if a replacement filter is installed upside down, your home will still get the benefits of filtered water. That's something filters made by other manufacturers can't do.

The advantage of a GE SmartWater™ replacement filter is that you always have the option of upgrading your filtration system by selecting a replacement filter that reduces more undesirable elements than your current filter.



**GE
FXUTC**



**GE
FXULC**

GOOD

Reduces

- Taste & Odor
- Chlorine
- Sediment
- Rust

The **GE SmartWater™ Taste and Odor Filter** can reduce the strong odor of chlorine in your water supply. This offensive smell can affect the taste of beverages such as coffee and tea, as well as cooked foods.

BETTER

Reduces

- Lead/Cysts
- Taste & Odor
- Chlorine
- Sediment
- Rust

Lead in water can be colorless, odorless and tasteless. The **GE SmartWater™ Lead/Cyst Filter** works to remove up to 99% of lead in your water. This filter also removes cryptosporidium, a parasite that is commonly found in lakes and rivers, as well as the reduction of bad taste and odors.



**GE
FXSLC**



**GE
FXSVC**

BEST

Reduces

- Chemicals/VOC
- Lead
- Cyst
- Asbestos
- Taste & Odor
- Chlorine
- Sediment
- Rust

VOCs are chemicals that are commonly used in herbicides, pesticides, and gasoline additives. These can enter your drinking water supply through ground water run off and well water contamination. The **GE SmartWater™ VOC Filter** is designed to remove up to 99% of VOCs that may appear in your water supply. The VOC filter also works to reduce lead/cysts, as well as bad taste and odor in your water.

GE SmartWater only sold through authorized retailers.

Not all features available on all models.

Water that's good for your home.



Household Filtration

Household Filtration Systems work to filter all the water that enters your home. This process works to improve your water by reducing sand, sediment and rust—a perfect complement for your water softener and drinking water filtration system.

Note: bold = feature upgrade from previous model



Reduces Sediment and Rust at your main water supply inlet.



Appliance Saver—Reduces sediment service issues on your appliances, water heater and plumbing fixtures.



Reduces
Sediment
Rust

GE GNWH08C/GXWH08C*

- **Built-In valve-on and bypass positions**
- **Easy turn bypass valve design and Pressure Relief Valve**—makes changing filter easy
- **Reduces Sediment and Rust** for up to 16,000 gallons or 3 months (filter included)
- **Installation Kit included for easy installation**
- **Clear sump**
- Easy to install 3/4" inlet/outlet for installation on main cold water line



Reduces
Sediment
Rust

GE GXWH01C**

- Opaque sump
- Installation kit sold separately
- Filter sold separately
- Pressure Relief Valve—makes changing filter easy



Reduces
Sediment
Rust

GE GXWH30C***

- **Heavy-Duty Filtration System**
- **Attaches to 1" and 3/4" water lines**
- **Pressure Relief Valve**—makes changing filter easy
- Installation kit Included for easy installation
- Filters sold separately (FXHTC or FXHSC)

* Sold in over packs of 6
** Sold in over packs of 9
*** Sold in over packs of 4

GE SmartWater only sold through authorized retailers.

Not all features available on all models. For additional features, specifications and color availability, refer to page 230.

Softening Systems

There is no doubt that water hardness is one of the most common of all water problems. A U.S. Geological Study shows that hard water is found in 85% of the United States. GE SmartWater Softening Systems reduce the hardness in your water, providing your family with quality water throughout your home.



Easier to Clean—Reduces hard water build-up, making tubs, showers and sinks easier to clean.



Whiter Towels—Towels are 45% whiter while using 1/3 less detergent. Clothes are softer, cleaner, brighter and last longer.



Cleaner Dishes—Gives you cleaner dishes by reducing soap and hard water spotting.



Feels Smoother—Soft water feels noticeably smoother to your skin.



Reduces Energy Costs—Helps reduce build-up in pipes and water-using appliances, providing cost savings.

GE SmartWater only sold through authorized retailers.

Not all features available on all models.

Softening Systems

Note: bold = feature upgrade from previous model



High-Efficiency—Super capacity combined with the salt-efficiency of the unit provides cost savings and convenience. Reduces the need for frequent salt replacement.



Easy-to-Set Electronic Controls—No calculations or complicated programming. Simply turn it on, set time of day and set the hardness level of your water supply.



Demand-Initiated Regeneration—Truly SmartWater—system monitors water usage to maximize salt usage and assure ample supply of soft water by regenerating only when needed.



Free Installation Kit—Complete installation kit with bypass valve, drain tubing and other necessary parts included.



For Families of 4 or More

GE Profile Performance Series™ PNSF39Z

- **Super Capacity** means less maintenance—38,500 grain capacity helps assure an ample supply of soft water and provides for lifestyle changes.
- 300 lb. Salt Storage reduces the need for frequent salt replacement.
- **Easy Reading Backlit LCD Display** eliminates the need for a flashlight to see display in difficult or dark locations.
- **72 Hour Program and Time Memory**—Permanent memory maintains hardness and regeneration time settings even if power is off or unit is unplugged for extended periods. No batteries needed, unit recharges itself when power is restored.
- **Systems Monitor**—Advanced electronic water management system features:
 - Capacity remaining (the data button will indicate how much capacity is remaining and whether or not to command an extra regeneration)
 - Gallons used (indicates how many gallons of water have been used per day)
 - Average gallons used (indicates the average gallons used over the past 7 days)
 - Flow Rate (shows how much water is flowing through the softener)
- 24-Volt Electronic System simplifies installation and maintenance.



For Families of 2 to 4

GE Profile™ PNSF35B

- **Extra-Large Capacity** means less maintenance—35,000 grain capacity helps assure an ample supply of soft water and provides for lifestyle changes.
- 300 lb. Salt Storage reduces the need for frequent salt replacement.
- **6 Hour Program and Time Memory**—Permanent memory maintains hardness and regeneration time settings even if power is off or unit is unplugged for extended periods. No batteries needed, unit recharges itself when power is restored.
- 24-Volt Electronic System simplifies installation and maintenance.

GE SmartWater only sold through authorized retailers.

Not all features available on all models. For additional features, specifications and color availability, refer to page 230.



For Families
of 2 or Less

GE GXSF27B

- **Large Capacity** means less maintenance—27,000 grain capacity helps assure an ample supply of soft water and provides for lifestyle changes.
- **200 lb. Salt Storage** reduces the need for frequent salt replacement.
- **6 Hour Program and Time Memory** Permanent memory maintains hardness and regeneration time settings even if power is off or unit is unplugged for extended periods. No batteries needed, unit recharges itself when power is restored.
- **24-Volt Electronic System** simplifies installation and maintenance.



For Condos
and Small
Spaces

GE GNSF18Z

- **Compact Size** means installation flexibility—The compact housing provides installation flexibility; installs in many areas other softeners may not.
- **18,000 Grain Capacity** assures an ample supply of soft water.
- **140 lb. Salt Storage** combined with the compact size means easier salt loading.
- **6 Hour Program and Time Memory**—Permanent memory maintains hardness and regeneration time settings even if power is off or unit is unplugged for extended periods. No batteries needed, unit recharges itself when power is restored.
- **24-Volt Electronic System** simplifies installation and maintenance.

Refrigeration

Cooking Products

Microwave Ovens

Dishwashers

Clothes Care

Water Systems

Air Conditioning

GE offers the most complete line of air enhancement products, delivering maximum quality and efficiency.



The new GE Profile™ room air conditioners take comfort control to a higher level.

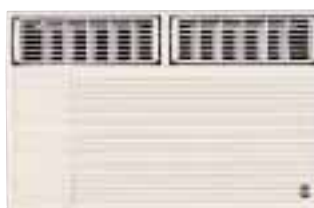
The GE line of air comfort products.

Window Air



In GE Profile,[™] Deluxe and Value series, the window air conditioners offer efficient cooling combined with popular convenience features.

Heat/Cool



The heat/cool series offers high btu's for cooling, along with an electric heating system to provide supplemental heat during the winter months.

Slide-Aire



Only 14½" wide, these units are specially designed for use in casement or sliding windows and narrow double-hung windows.

J-Series



Designed for special installation needs, these units are unique and attractive, offering both cool only and heat/cool.

Dehumidifiers



GE Profile[™] and GE Dehumidifiers reduce moisture and humidity to provide personal comfort and protection for the home.

Quiet-Aire[™] - Split System



For more information, please refer to Pub. No. 20-S008-2

When seeking interior air comfort, look for the name you trust most—GE.

As shown above, GE offers a broad range of environment enhancing products, from multiple Room Air Conditioners that offer BTU's that will meet your specific needs, unique window J-series units, our Heat/Cool series, dehumidifiers and, the next best thing to central air, the Split System Air Conditioner. Whether looking for relief from heat, cold, humidity or meeting special installation requirements, we have the product you need. GE: our name means quality, efficiency and comfort.

Built-In “J” Series: Slope-Top Chassis Only Models

These models include • Variable setting thermostat
 • Fan Cycle switch • Four-way air direction • Up-front, washable air filter • “Fan Only” setting for air circulation



E.E.R. (Energy Efficiency Ratio) shown on the tag of each new unit, compares the air conditioner's cooling output with the electricity it requires for power. The higher the E.E.R. number, the more efficient the unit, and the less costly to operate.

Fan Cycle Switch helps reduce power consumption and operating costs.



Cool Only Units

Offer a variety of capacities to cool many applications.

Heat/Cool Units

Provide a variety of capacities for summer cooling, plus supplemental heat for cold weather—units combine air conditioning with electric resistance heat.

Heat Pump Units

Heat pump units offer efficient summer cooling with reverse cycle heating and back-up resistance heat for cold weather.

Units include attractive room-side grille of high-impact polystyrene.

These units are chassis-only models and require a separately purchased solid-sided wall case (RAB46, RAB47 or RAB48) and exterior grille (RAG13 or RAG14) for installation.



Cool Only Units

Models	BTUH Cooling	Volts	EER	BTUH Electric Resistance Heating	Wall Case
AJCS06LC	6000	115	9.5	—	RAB46/47/48
AJCS08AC	8000	115	9.2	—	RAB46/47/48
AJCS10AC	9900	115	9.2	—	RAB46/47/48
AJCS09DC	8900/8700	230/208	9.5/9.5	—	RAB46/47/48
AJCS10DC	9900/9700	230/208	9.2/9.2	—	RAB46/47/48
AJCS12DC	11,600/11,400	230/208	9.0/9.0	—	RAB46/47/48



Heat/Cool Units

Models	BTUH Cooling	Volts	EER	BTUH Electric Resistance Heating	Wall Case
AJES09DC	8900/8700	230/208	9.5/9.5	11,600/9480	RAB46/47/48
AJES10DC	9900/9700	230/208	9.2/9.2	11,600/9480	RAB46/47/48
AJES12DC	11,600/11,400	230/208	9.0/9.0	11,600/9480	RAB46/47/48



Heat Pump Units

Models	BTUH Cooling	Volts	EER	BTUH Electric Resistance Heating	BTUH Reverse Cycle Heating†	Wall Case
AJHS08DC*	8000/7800	230/208	9.2/9.2	11,600/9500	7700/7500	RAB46/47/48
AJHS10DC*	9800/9600	230/208	9.2/9.2	11,600/9500	9700/9500	RAB46/47/48

*Model includes two-stage heating thermostat.

†At 47°F.

Note: If any “J” Series unit is a replacement unit, the existing rear grille should be replaced for better performance with either stamped aluminum (RAG13) grille or architectural louvered extruded aluminum (RAG14).

Built-In “J” Series: Hi-Mount Chassis Only Models

These models include • Variable setting thermostat
 • Fan Cycle switch • Four-way air direction • Up-front, washable air filter • Multiple fan speeds



For high-mount installations where control accessibility is difficult, GE offers five “J” Series models with controls located in the lower corner of the room-side cabinet. There are two 115V and two 230V cooling only models, and one 230V model with electric heat.

Units include attractive room-side grille of high-impact polystyrene. Each unit requires a solid-sided wall case (RAB46, RAB47 or RAB48) and exterior grille (RAG13 or RAG14) for installation.

Cool Only Units



Models	BTUH Cooling	Volts	EER	BTUH Electric Resistance Heating	Wall Case
AJCH08AC	8000	115	9.2	–	RAB46/47/48
AJCH10AC	9900	115	9.2	–	RAB46/47/48
AJCH10DC	9900/9700	230/208	9.2/9.2	–	RAB46/47/48
AJCH12DC	11,600/11,400	230/208	9.0/9.0	–	RAB46/47/48

Heat/Cool Unit



Model	BTUH Cooling	Volts	EER	BTUH Electric Resistance Heating	Wall Case
AJEH12DC	11,600/11,400	230/208	9.0/9.0	11,600/9480	RAB46/47/48

Built-In “J” Series: Window/Wall Mount Models

These models include • Multiple Cooling/Heating speeds • Vent/Exhaust • Multi-position thermostat
 • Fan Cycle switch • Easy access filter • Slide-out chassis • EZ Mount window kit (for Cooling Only models)



For convenience and efficiency, GE offers a unique line of units that provide cooling only, cooling with electric heat, and cooling with heat pumps, for use in window or through-the-wall application.

All units include solid-sided sleeve with a slide-out chassis.

Heat/Cool Units

Model	BTU	EER	Volts	Cools (sq. ft.)	Heater Wattage
AJES10DS	9,900/9,700	9.2/9.2	230/208	425-525	3.4/2.8 (kw)
AJES08AS	8,000	9.2	115	250-350	1.2 (kw)
AJES06LS	6,000	9.5	115	170-210	1.2 (kw)

Heat Pump Unit

Model	BTU	EER	Volts	Cools (sq. ft.)	Heater Wattage
AJHS08AS	8,000	9.2	115	250-350	1.2 (kw)

Cooling Only Units

Model	BTU	EER	Volts	Cools (sq. ft.)
AJCS10AZ	9,900	9.2	115	425-525
AJCS08AZ	8,000	9.2	115	250-350
AJCS06LZ	6,000	9.5	115	170-210



Cooling Only



Heat/Cool, Heat Pump

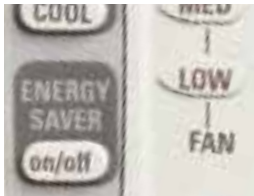
Not all features available on all models. For additional features, specifications and color availability, refer to pages 232-233.

Air Conditioning: GE Profile™ and Deluxe Series

These models include • Energy Saver feature • Multiple cooling speeds • Vent/Exhaust • Adjustable thermostat
 • EZ Mount window kit • Four-way adjustable air discharge • One Touch Lift-Out filter • Slide-out chassis



The Electronic Thermostat with Remote Control allows you to set and adjust exact temperatures for total comfort.



With the Energy Saver Feature, once the room is cool enough, the thermostat will shut down the compressor and fan, saving energy and reducing your energy bill.

GE Profile™ Series



Models	BTU	EER	Volts	Cools (sq. ft.)
ASM24DA	23,700/23,100	8.8/8.8	230/208	1480-1620
ASM22DA	22,000/21,500	8.8/8.8	230/208	1330-1450
ASM18DA	18,000/17,500	10.0/10.0	230/208	1050-1150
ASM16DA	15,600/15,200	9.7/9.7	230/208	890-990
ASM14AA	14,000	10.0	115	750-850
ASM12DA	12,500/12,200	10.0/10.0	230/208	625-700
ASM12AA	12,500	10.0	115	625-700
ASM10AA	10,000	10.0	115	425-525

GE Deluxe Series



Models	BTU	EER	Volts	Cools (sq. ft.)
ASM08FA	8,000	10.0	115	250-350
ASM06LB*	6,000	10.0	115	170-210

*Energy Star Compliant



As an ENERGY STAR® Partner, GE has determined that this product meets the ENERGY STAR® guidelines for energy efficiency.

Value Series Air Conditioning

These models include

- Multiple cooling speeds
- 8-Position thermostat
- Rigid slide-out filter
- EZ Mount window kit
- Vent exhaust



Easy Mount Installation designed for ease of placement, this unit can be installed by most people and requires no prior experience or special tools.



Model	BTU	EER	Volts	Cools (sq. ft.)
AGV18DC	17,800/17,300	9.7/9.7	230/208	1050-1150



Model	BTU	EER	Volts	Cools (sq. ft.)
AGV07LA	7,000	9.7	115	210-280



Models	BTU	EER	Volts	Cools (sq. ft.)
AGV12DB	12,000/11,500	9.8/9.8	230/208	575-650
AGV12AB	12,000	9.8	115	575-650
AGV10AB	10,000	9.8	115	425-525



Model	BTU	EER	Volts	Cools (sq. ft.)
ASV24DA	23,700/23,100	8.5/8.5	230/208	1480-1620

Not all features available on all models. For additional features, specifications and color availability, refer to page 231.

Value Series Air Conditioning (continued)



Quick Clean Filters keep unit running efficiently and save money. Simply slide out the filter, wash and replace.

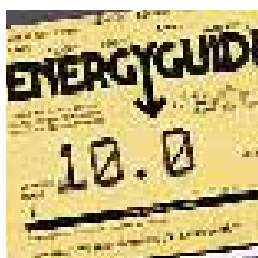


Model	BTU	EER	Volts	Cools (sq. ft.)
ASV14AA	14,000	10.0	115	750-850



Model	BTU	EER	Volts	Cools (sq. ft.)
ASV05LA*	5,000	9.7	115	100-150

*Energy Star Compliant



Energy Efficiency Ratio (E.E.R.) - Higher E.E.R. numbers indicate greater efficiency and lower operating costs. An E.E.R. of 10.0 compared to an E.E.R. of 9.0 can provide an annual energy savings of more than 10% while still providing the same amount of cooling BTUs.



Models	BTU	EER	Volts	Cools (sq. ft.)
ASV08FA	8,000	9.8	115	250-350
ASV06LB*	6,000	9.8	115	170-210

*Energy Star Compliant



Model	BTU	EER	Volts	Cools (sq. ft.)
ASC05LA	5,000	8.5	115	100-150

• Carry-Cool® Model



As an ENERGY STAR® Partner, GE has determined that this product meets the ENERGY STAR® guidelines for energy efficiency.

Heat/Cool Series

- These models include** • Multiple cooling/heating speeds • Vent/Exhaust • 10-Position thermostat
- Four-way adjustable air discharge
 - Easy access filter
 - Slide-out chassis
 - Rigid panel window kit



Concealed Controls are hidden from view to provide a clean, contemporary appearance.



Cooling and Electric Heat— Along with comfortable cooling capabilities, our new series also provides supplemental heat during winter months and can even be used as the primary heat source in temperate zones.



Models	BTU	EER	Volts	Cools (sq. ft.)	Heater Wattage
AVE22DA	22,000/21,300	8.2/8.2	230/208	1,330-1,450	5.0/4.0 (kw)
AVE18DA	18,000/17,500	9.5/9.5	230/208	1,050-1,150	3.0/2.6 (kw)
AVE15DA	15,000/14,500	9.0/9.0	230/208	850-950	3.0/2.6 (kw)



Not all features available on all models. For additional features, specifications and color availability, refer to pages 231 and 233.

Refrigeration

Cooking Products

Microwave Ovens

Dishwashers

Clothes Care

Water Systems

Air Conditioning

Air Conditioning: Quiet-Aire™ –Split System

The GE Quiet-Aire™ –Split System Air Conditioner provides virtually silent cooling comfort. With a design that includes outside air compressor placement, disturbing sounds are kept out of doors and out of earshot. This design also eliminates annoyances like rattling windows. So rest easily and peacefully. Available in heat pump and cooling only models in 9,000, 12,000 and 18,000 BTU sizes.



Indoor unit



Outdoor unit

For more information, see Pub. No. 20-S008, or call the GE Answer Center® at 800.626.2000.

Air Conditioning: Slide-Aire

These models include • 10-Position thermostat
• Vertical Slider Kit Panel • Multiple Cooling and Fan speeds • Two-way adjustable air discharge



Slide-Aire models accommodate the special installation needs of sliding and casement windows (those with side hinges that open in or out).



Sleek New Contemporary Styling blends quietly with most decor.



Model	BTU	EER	Volts	Cools (sq. ft.)
AVX10AC	10,000	9.0	115	425-525
AVX07FB	7,000	8.5	115	210-280

Dehumidifiers



Model	Pints Per Day
AHG20LA	19

- Electronic Micro Computer Control
- Overflow protection
- Water Full indicator
- Automatic defrost
- 6-Pint bucket capacity
- External drain connector



Model	Pints Per Day
AHG50LA	50
AHG40LA	40
AHG25LA	25

- Compact and contemporary design
- Automatic Humidistat control
- Automatic Shut-Off system with Bucket Full indicator
- Easy roll casters
- External drain connector
- Automatic defrost control
- Removable condensate container
- Washable air filter

Not all features available on all models. For additional features, specifications and color availability, refer to pages 231 and 234.

Instant Dimensional & Installation Information

From the speed of a touchtone phone, order installation information to be delivered through your fax machine.



GE QuickSpecs

1-800-432-3729

This automated fax-on-demand system provides a quick reference to product dimensions for Monogram®, GE Profile Performance Series™, GE Profile™, GE and Hotpoint appliances.

- **Touchtone Activated**
Simply follow the voice prompts to make your selection from any touchtone phone.
- **Model Specific Installation Dimensions**
Select accurate installation dimensions by individual model numbers for virtually every model. Make your selection from the List of Available Documents (available by fax from GE QuickSpecs). Select up to 15 documents per call.
- **Feature and Appearances**
Feature information and product illustrations are included for most models.
- **Fax Information to Any Fax Telephone Number**
Once you make your selection, you will be asked to enter the fax telephone number where you wish your request to be faxed (your office, job site, customer). It will be faxed to the specified fax number within 15 minutes.
- **Available 24 Hours a Day, 7 Days a Week**

Specifications And Installation Information

Contents

Warranty Information.....	156-159
Refrigerators	
CustomStyle™ Refrigerators.....	160-165
Side-By-Side Refrigerators	166-167
Bottom-Freezer Refrigerators	168
Top-Freezer No-Frost Refrigerators.....	169-171
Cycle and Manual Defrost Refrigerators	172
Spacemaker™ Compact Refrigerators	172
Upright and Chest Freezers	173
Optional Refrigerator Panels and Trim Kits	174
Cooking Products	
Advantium™ Oven	175
30" Built-In Double Ovens	176-177
30" Built-In Single Ovens	178-179
27" and 24" Built-In Double Ovens.....	180-181
27" and 24" Built-In Single Ovens	182-183
24" Built-In Gas Ovens.....	184
30" and 27" Warming Drawers.....	185
Built-In CleanDesign Cooktops	186
Built-In Electric Cooktops	187
Downdraft Electric Cooktops.....	188-189
Built-In Gas Cooktops.....	190
Downdraft Gas Cooktops.....	191
Select-Top™ Modular Downdraft Cooktops and Patio Grill	192-193
Built-In Downdraft Gas Modular Cooktops	193
30" Slide-In Electric Ranges	194-195
30" Slide-In Gas Ranges.....	196-197
30" Slide-In Downdraft Ranges.....	197
30" Drop-In Electric Ranges.....	198-199
Spacemaker™ 27" Drop-In Electric Ranges.....	200
30" Free-Standing CleanDesign Electric Ranges	200-201
30" Free-Standing QuickClean™ Electric Ranges.....	202-203
40" Free-Standing Electric Ranges	203
30" Free-Standing Gas Ranges	204-206
High Performance, Performance, Deluxe and Standard Hoods	207
Slide-Out Hoods	208
Telescopic Downdraft Systems	208-209
Microwave Ovens	
SpacemakerPlus™ Microwave/Convection Ovens	210
Spacemaker XL Over-The-Range Microwave Ovens.....	211
Microwave Wall Ovens	212
Countertop Microwave Ovens	213
Spacemaker II™ Microwave Ovens	214
Countertop/Compact/Subcompact Microwave Ovens.....	214
Microwave Oven Accessory Trim Kits	215
Dishwashers	
Built-In Dishwashers.....	216-217
Convertible/Portable Dishwashers.....	218
Spacemaker® Built-In 18" & Undersink Dishwashers	218-219
Disposers and Compactors.....	220
Clothes Care	
Washers.....	221
Dryers.....	222-223
Front Loading Washer and Dryer	224
Dryer Exhausting and Installation Information	225
Spacemaker® Washers and Dryers.....	226-227
Water Systems	
Air Conditioning	
GE Profile™, Deluxe/Value and Slide-Aire Air Conditioning	231
Built-In "J" Series Units and Heat Pumps.....	232
Heat/Cool and Window/Built-In "J" Series Units and Heat Pumps	233
Split System Air Conditioning/Heat Pumps.....	234
Dehumidifiers	234
Nomenclatures	235-238

Warranty Information

The condensed list below is a convenient overview of the written warranties offered on various GE appliances described in this catalog. For complete warranty details on a specific GE appliance model, contact your nearest GE supplier, or call GE Factory Service, toll-free, 800-GE-CARES (800-432-2737).

Refrigerators

(All models **except** TAX2SNCWH, TAX2BNCBL, TAX4SNCWH, TAX4BNCBL, TAX6SNXWH/WN)

For The Period Of	GE Will Replace
One Year From the date of the original purchase	Any part in the refrigerator which fails due to a defect in materials or workmanship. During this full one-year warranty , GE will provide all labor and in-home service costs to replace the defective part free of charge .
Five Years From the date of the original purchase	Sealed Refrigeration System or Compressor , if either of these parts should fail due to a defect in materials or workmanship. During this full five-year warranty , GE will also provide all labor and in-home service costs to replace the defective part free of charge .
Lifetime From the date of the original purchase	See-Thru Veg/Fruit Pans and ClearLook™ Door Bins , if any of these parts should fail due to a defect in materials or workmanship. During this lifetime limited warranty , you will be responsible for service trip and labor charges.

Refrigerators

(Models TAX2SNCWH, TAX2BNCBL, TAX4SNCWH, TAX4BNCBL, TAX6SNXWH/WN)

For The Period Of	GE Will Replace
One Year From the date of the original purchase	Any part in the refrigerator which fails due to a defect in materials or workmanship. During this limited one-year warranty , you will be responsible for service trip charges.
Five Years From the date of the original purchase	Compressor , if this part should fail due to a defect in materials or workmanship. During this limited five-year warranty , you will be responsible for service trip and labor charges.

Freezers

For The Period Of	GE Will Replace
One Year From the date of the original purchase	Any part in the freezer which fails due to a defect in materials or workmanship. During this full one-year warranty , GE will also provide all labor and in-home service to replace the defective part free of charge .
Five Years From the date of the original purchase	Sealed Refrigeration System , if this part should fail due to a defect in materials or workmanship. During this full five-year warranty , GE will also provide all labor and in-home service to replace the defective part free of charge .
One Year/Five Years From the date of the original purchase	Food Spoilage , Cumulative limits: \$100—14.9 and smaller, \$150—15.0 and larger. One-year on spoilage from any part failure. Five-year on spoilage from sealed refrigeration system failure.

Icemakers

For The Period Of	GE Will Replace
One Year From the date of the original purchase	Any part in the icemaker which fails due to a defect in materials or workmanship. During this full one-year warranty , GE will also provide all labor and in-home service to replace the defective part free of charge .

Water Filter

For The Period Of	GE Will Replace
30 Days From the date of the original purchase	Parts Only .

Advantium Oven

For The Period Of	GE Will Replace
One Year From the date of the original purchase	Any part of the oven which fails due to a defect in materials or workmanship. During this full one-year warranty , GE will provide all labor and in-home service to replace the defective part free of charge .
Ten Years From the second through the tenth year from the date of the original purchase	Halogen Speedcook Lamps , if the halogen lamps fail due to a defect in materials or workmanship. During this full ten-year warranty , GE will provide all labor and in-home service to replace the defective part free of charge . Magnetron Tube , if this part should fail due to a defect in materials or workmanship. During this nine-year limited warranty , you will be responsible for any labor or in-home service costs.

Ranges/Cooktops/Built-In Ovens/Warming Drawers/Hoods

(Excluding CleanDesign Ranges and Cooktops)

For The Period Of	GE Will Replace
One Year From the date of the original purchase	Any part in the cooking product which fails due to a defect in materials or workmanship. During this full one-year warranty , GE will provide all labor and in-home service to replace the defective part free of charge .

Ranges (CleanDesign)

For The Period Of	GE Will Replace
One Year From the date of the original purchase	Any part in the cooking product which fails due to a defect in materials or workmanship. During this full one-year warranty , GE will provide all labor and in-home service to replace the defective part free of charge .
Five Years From the date of the original purchase	Glass-Ceramic Cooktop, Ribbon Heating Elements and Rubber Seal , if any of these parts should fail due to a defect in materials or workmanship. During this five-year limited warranty , GE will replace the defective part free of charge , you will be responsible for service trips and labor charges.

Cooktops (CleanDesign)

For The Period Of	GE Will Replace
One Year From the date of the original purchase	Any part in the cooking product which fails due to a defect in materials or workmanship. During this full one-year warranty , GE will provide all labor and in-home service to replace the defective part free of charge .
Five Years From the date of the original purchase	Glass-Ceramic Cooktop, Ribbon Heating Elements and Rubber Seal , if any of these parts should fail due to a defect in materials or workmanship. During this five-year limited warranty , GE will replace the defective part free of charge , you will be responsible for service trips and labor charges.

Hoods

For The Period Of	GE Will Replace
One Year From the date of the original purchase	Any part in the hood which fails due to a defect in materials or workmanship. During this full one-year warranty , GE will provide all labor and in-home service to replace the defective part free of charge .

What GE Will Not Cover:

- Service trips to your home to teach you how to use the product.
- Improper installation.
- Replacement of house fuses or resetting of circuit breakers.
- Failure of the product if it is abused, misused, or used for other than the intended purpose or used commercially.
- Damage to product caused by accident, fire, floods or acts of God.
- Incidental or consequential damage to personal property caused by possible defects with this appliance.

Microwave Ovens (Over-The-Range models, Built-In models, JEM31SA/WA/GA, JE1860SB/WB/CB/GB, JE1840WB/GB, JE1660WB/GB, JE1640WB/AB/GB, JE1390WA/GA)

For The Period Of	GE Will Replace
One Year From the date of the original purchase	Any part in the microwave which fails due to a defect in materials or workmanship. During this full one-year warranty , GE will provide all labor and in-home service to replace the defective part free of charge .
Ten Years From the date of the original purchase	Magnetron Tube , if this part should fail due to a defect in materials or workmanship. During this nine-year limited warranty , you will be responsible for any labor or in-home service costs.

Microwave Ovens (Models JE1360WB/GB, JE1340WC/BC, JE1160WC/BC, JE1140WC/BC, JEM25WY/GY, JE740WY/GY)

For The Period Of	GE Will Replace
One Year From the date of the original purchase	Any part in the microwave which fails due to a defect in materials or workmanship. During this limited one-year warranty , GE will provide labor and you will be responsible for service trip charges.
Ten Years From the date of the original purchase	Magnetron Tube , if this part should fail due to a defect in materials or workmanship. During this nine-year limited warranty , you will be responsible for any labor or in-home service costs.

Microwave Ovens (Models JE835WW, JE710BA, JE635WW, JE520WC/BW, JE510WC/BW)

For The Period Of	GE Will Replace
One Year From the date of the original purchase	Any part in the microwave which fails due to a defect in materials or workmanship. During this limited one-year warranty , GE will provide labor and you will be responsible for service trip charges.
Five Years From the date of the original purchase	Magnetron Tube , if this part should fail due to a defect in materials or workmanship. During this four-year limited warranty , you will be responsible for any labor or in-home service costs.

Dishwashers (Models GSD5110D, GSD5120D, GSD5130D, GSD5150F, GSD5310D, GSD5320D, GSD5330D, GSD5350D, GSD5360F, GSD5610D, GSD5620D, GSD5630D, GSD5640F, GSD5650D, GSD5910F, GSD5920F, GSD5930F, GSD5940F, GSD5950F)

For The Period Of	GE Will Replace
One Year From the date of the original purchase	Any part in the dishwasher which fails due to a defect in materials or workmanship. During this full one-year warranty , GE will provide, free of charge , all labor and in-home service to replace the defective part.
Two Years From the date of the original purchase	Any part in the dishwasher which fails due to a defect in materials or workmanship. During this two-year limited warranty , you will be responsible for service trip and labor charges.
Five Years From the date of the original purchase	Racks or Electronic Control Board , if either of these part should fail due to a defect in materials or workmanship. During this five-year limited warranty , you will be responsible for service trip and labor charges.
Lifetime of Product From the date of the original purchase	PermaTuf® Tub or Door Liner , if either of these parts should fail due to a defect in materials or workmanship. During this full lifetime warranty , GE will provide, free of charge , all labor and in-home service to repair or replace the defective part.

Dishwashers (Models GSM2110F, GSM2130F, GSC3200F, GSC3230F, GSC3400F, GSC3430F, GSD2615F, GSD2625F, GSD2635F, GSD3115F, GSD3125F, GSD3135F, GSD3415F, GSD3425F, GSD3435F, GSD3455F, GSD3715F, GSD3725F, GSD3735F, GSD3755F)

For The Period Of	GE Will Replace
One Year From the date of the original purchase	Any part in the dishwasher which fails due to a defect in materials or workmanship. During this full one-year warranty , GE will provide, free of charge , all labor and in-home service to replace the defective part.
Two Years From the date of the original purchase	Any part of the Water Distribution System , which fails due to a defect in materials or workmanship. Associated inlet & drain plumbing parts are not covered by this warranty. During this second-year limited warranty , you will be responsible for any labor or in-home service costs.
Ten Years From the date of the original purchase	PermaTuf® Tub or Door Liner , if either of these parts should fail due to a defect in materials or workmanship. During this full ten-year warranty , GE will provide, free of charge , all labor and in-home service to replace the defective part.

Dishwashers (Models GSD2325F, GSD2335F, GSS1800Z)

For The Period Of	GE Will Replace
One Year From the date of the original purchase	Any part in the dishwasher which fails due to a defect in materials or workmanship. During this full one-year warranty , GE will provide, free of charge , all labor and in-home service to replace the defective part.
Ten Years From the date of the original purchase	PermaTuf® Tub or Door Liner , if either of these parts should fail due to a defect in materials or workmanship. During this full ten-year warranty , GE will provide, free of charge , all labor and in-home service to replace the defective part.

Compactors

For The Period Of	GE Will Replace
One Year From the date of the original purchase	Any part in the compactor which fails due to a defect in materials or workmanship. During this full one-year warranty , GE will provide, free of charge , all labor and in-home service to replace the defective part.

Note: See written warranty for details.

This warranty is extended to the original purchaser and any succeeding owner for products purchased for home use within the USA. In Alaska, the One Year Warranty excludes the cost of shipping, or service calls to your home. Some states do not allow the exclusion or limitation of incidental or consequential damages. This warranty gives you specific legal rights, and you may also have other rights which vary from state to state. To know what your legal rights are, consult your local or state consumer affairs office or your state's Attorney General.

Warranty Information (continued)

Disposers (Models GFC305Y, GFC300Y, GFC295Y, GFC290Y)

For The Period Of	GE Will Replace
One Year From the date of the original purchase	Any part in the disposer which fails due to a defect in materials or workmanship. During this full one-year warranty , GE will provide, free of charge , all labor and in-home service to replace the defective part.

Disposers (Models GFC705Y, GFC700Y)

For The Period Of	GE Will Replace
Two Years From the date of the original purchase	Any part in the disposer which fails due to a defect in materials or workmanship. During this full two-year warranty , GE will provide, free of charge , all labor and in-home service to replace the defective part.

Disposers (Model GFC800Y)

For The Period Of	GE Will Replace
Four Years From the date of the original purchase	Any part in the disposer which fails due to a defect in materials or workmanship. During this full four-year warranty , GE will provide, free of charge , all labor and in-home service to replace the defective part.

Disposers (Models GFB1050V, GFC1000Y)

For The Period Of	GE Will Replace
Five Years From the date of the original purchase	Any part in the disposer which fails due to a defect in materials or workmanship. During this full five-year warranty , GE will provide, free of charge , all labor and in-home service to replace the defective part.

GE Profile Performance Series™ and GE Profile™ Washers

For The Period Of	GE Will Replace
One Year From the date of the original purchase	Any part in the washer which fails due to a defect in materials or workmanship. During this full one-year warranty , GE will provide all labor and in-home service to replace the defective part free of charge .
Two Years From the date of the original purchase	Any part in the washer which fails due to a defect in materials or workmanship. During this limited two-year warranty , you will be responsible for service trip and labor charges.
Five Years From the date of the original purchase	ArmorGuard Lid & Cover Protection and Auto Balance Suspension System , if any of these parts should fail due to a defect in materials or workmanship. During this five-year limited warranty , you will be responsible for service trip and labor charges.
Ten Years From the date of the original purchase	Steel Drive Transmission, Outer Tub , if either of these parts should fail due to a defect in materials or workmanship. During this ten-year limited warranty , you will be responsible for service trip and labor charges.
Lifetime From the date of the original purchase	PermaTuf II™ Basket , if this part should fail due to a defect in materials or workmanship. During this lifetime limited warranty , you will be responsible for service trip and labor charges.

GE Wizard Washer (Model WPSE7003A)

For The Period Of	GE Will Replace
Ten Years From the date of the original purchase	Any part in the washer which fails due to a defect in materials or workmanship. During this full ten-year warranty , GE will also provide all labor and in-home service to replace the defective part free of charge .
Lifetime From the date of the original purchase	PermaTuf II™ Basket , if this part should fail due to a defect in materials or workmanship. During this lifetime limited warranty , you will be responsible for service trip and labor charges.

GE Washers

For The Period Of	GE Will Replace
One Year From the date of the original purchase	Any part in the washer which fails due to a defect in materials or workmanship. During this full one-year warranty , GE will provide all labor and in-home service to replace the defective part free of charge .
Five Years From the date of the original purchase	Auto Balance Suspension System, ArmorGuard Lid & Cover Protection and Steel Drive Transmission , if any of these parts should fail due to a defect in materials or workmanship. During this five-year limited warranty , you will be responsible for service trip and labor charges.
Ten Years From the date of the original purchase	Outer Tub , if this part should fail due to a defect in materials or workmanship. During this ten-year limited warranty , you will be responsible for service trip and labor charges.
Twenty Years From the date of the original purchase	PermaTuf II™ Basket , if this part should fail due to a defect in materials or workmanship. During this twenty-year limited warranty , you will be responsible for service trip and labor charges.

GE Spacemaker® Washers

For The Period Of	GE Will Replace
One Year From the date of the original purchase	Any part in the washer which fails due to a defect in materials or workmanship. During this full one-year warranty , GE will provide all labor and in-home service to replace the defective part free of charge .
Five Years From the date of the original purchase	Transmission , if this part should fail due to a defect in materials or workmanship. During this five-year limited warranty , you will be responsible for service trip and labor charges.

GE Profile™ Front Loading Washer

For The Period Of	GE Will Replace
One Year From the date of the original purchase	Any part in the washer which fails due to a defect in materials or workmanship. During this full one-year warranty , GE will provide all labor and in-home service to replace the defective part free of charge .
Two Years From the date of the original purchase	Any part in the washer which fails due to a defect in materials or workmanship. During this limited two-year warranty , you will be responsible for service trip and labor charges.
Five Years From the third year to fifth year from the original purchase	Replacement parts for the suspension, outer tub, motor, driven pulley or motor controller , which prove to be defective in materials or workmanship. During this five-year limited warranty , you will be responsible for service trip and labor charges.
Twenty Years From the date of the original purchase	The inner wash basket , that breaks due to defective materials or workmanship. During this twenty-year limited warranty , you will be responsible for service trip and labor charges.

GE Front Loading Washer

For The Period Of	GE Will Replace
One Year From the date of the original purchase	Any part in the washer which fails due to a defect in materials or workmanship. During this full one-year warranty , GE will provide all labor and in-home service to replace the defective part free of charge .
Five Years From the third year to fifth year from the original purchase	Replacement parts for the suspension, outer tub, motor, driven pulley or motor controller , which prove to be defective in materials or workmanship. During this five-year limited warranty , you will be responsible for service trip and labor charges.
Twenty Years From the date of the original purchase	The inner wash basket , that breaks due to defective materials or workmanship. During this twenty-year limited warranty , you will be responsible for service trip and labor charges.

GE Wizard Dryer (Model DPSE592EA/DPSE592GA)

For The Period Of	GE Will Replace
Ten Years From the date of the original purchase	Any part of the dryer which fails due to a defect in materials or workmanship. During this full ten-year warranty , GE will also provide all labor and in-home service to replace the defective part free of charge .

GE Profile Performance Series™, GE Profile™ and GE Super Capacity, Extra-Large Capacity and GE Profile™ Front-Loading Dryers

For The Period Of	GE Will Replace
One Year From the date of the original purchase	Any part in the dryer which fails due to a defect in materials or workmanship. During this full one-year warranty , GE will provide all labor and in-home service to replace the defective part free of charge .
Five Years From the date of the original purchase	Dryer Drum , if this should fail due to a defect in materials or workmanship. During this five-year limited warranty , you will be responsible for service trip and labor charges.

GE Large Capacity, Spacemaker® and GE Front Loading Dryer

For The Period Of	GE Will Replace
One Year From the date of the original purchase	Any part in the dryer which fails due to a defect in materials or workmanship. During this full one-year warranty , GE will provide all labor and in-home service to replace the defective part free of charge .

GE SmartWater™ Filtration Systems

(Models PNRV18ZWW, PNRV18ZBB, PNRV18ZWH, PNRV18ZBL, PNRV12ZBL)

For The Period Of	GE Will Replace
One Year From the date of the original purchase	Any part of the Reverse Osmosis Filtration System which fails due to a defect in materials or workmanship. During this full one-year warranty , GE will provide, free of charge , all labor and in-home service to replace the defective part.

GE SmartWater™ Filtration Systems

(Model GXRV10ABL)

For The Period Of	GE Will Replace
One Year From the date of the original purchase	Any part of the Reverse Osmosis Filtration System which fails due to a defect in materials or workmanship. During this limited one-year warranty , GE will provide, free of charge , all labor (does not include service trip to home) to replace the defective part.

GE SmartWater™ Filtration Systems

(Models GNUL30B, GNUT05B)

For The Period Of	GE Will Replace
One Year From the date of the original purchase	Any part of the Water Filtration System (excluding filters) which fails due to a defect in materials or workmanship. During this full one-year warranty , GE will provide, free of charge , all labor and in-home service to replace the defective part.

GE SmartWater™ Filtration Systems

(Models GXUT03B, GXSV10C, GXSL03C, GX1S15C, GX1S01C, GNUT03B, GXWH30C, GXWH08C, GXWH01C)

For The Period Of	GE Will Replace
One Year From the date of the original purchase	Any part of the Water Filtration System (excluding filters) which fails due to a defect in materials or workmanship. During this limited one-year warranty , GE will provide, free of charge , all labor (does not include service trip to home) to replace the defective part.

GE SmartWater™ Refrigerator Icemaker Filters

(Models GXILQ, GXITQ, GXITQR)

For The Period Of	Retailer Will Replace
60 Days From the date of the original purchase	During this limited one-year warranty , return to retailer from which it was purchased, along with a copy of "proof of purchase" for product exchange.

GE SmartWater™ Softening Systems

(Models PNSF39Z, PNSF35B, GXSF27B, GNSF18Z)

For The Period Of	GE Will Replace
One Year From the date of the original purchase	Any part of the Water Softening System which fails due to a defect in materials or workmanship. During this full one-year warranty , GE will provide, free of charge , all labor and in-home service to replace the defective part.
Three Years From the date of the original purchase	The Electronic Monitor , if it fails due to a defect in materials or workmanship. During this three-year limited warranty , you will be responsible for any labor or in-home service costs.
Ten Years From the date of the original purchase	A replacement cabinet (brine tank) or resin tank , if either of fails due to a defect in materials or workmanship. During this ten-year limited warranty , you will be responsible for any labor or in-home service costs.

Air Conditioners

(Window, Window Built-In, Built-In Units and Split System Units)

For The Period Of	GE Will Replace
One Year From the date of the original purchase	Any part in the unit which fails due to a defect in materials or workmanship. During this full one-year warranty , GE will provide all labor and in-home service to replace the defective part free of charge .
Five Years From the date of the original purchase	Sealed Refrigeration System , if any of these parts should fail due to a defect in materials or workmanship. During this full five-year warranty , GE will provide all labor and in-home service to replace the defective part free of charge .

Dehumidifiers

For The Period Of	GE Will Replace
One Year From the date of the original purchase	Any part in the dehumidifier which fails due to a defect in materials or workmanship. During this limited one-year warranty , GE will provide, free of charge , all labor and in-home service to replace the defective part.*
Five Years From the date of the original purchase	Sealed Refrigeration System (compressor, condenser, dehumidifying coil and all connecting tubing) , if this should fail due to a defect in materials or workmanship. During this limited five-year warranty , GE will provide all labor and in-home service to replace the defective part.* *Full one- and five-year warranty for model AHG20 and GE will provide labor and you will be responsible for service trip charges.

CustomStyle™ No-Frost Side-By-Side Refrigerators

	GE Profile Performance Series™					GE Profile™				
	TPS24PBD TPS24PPD	TPX24PBD	TPX24PPD	TPS24BPD	TPX24BPD	TPX24PRD	TPX24BRD	TPX24BID	TPS24BID	TPX21PRD TPX21BRD
Stainless steel model	●			●					●	
Capacity										
Total (cu. ft.)	23.7	23.7	23.7	23.7	23.7	23.7	23.7	23.5	23.5	21.0
Fresh food (cu. ft.)	14.48	14.48	14.48	14.48	14.48	14.48	14.48	14.48	14.48	13.10
Freezer (cu. ft.)	9.25	9.25	9.25	9.25	9.25	9.25	9.25	9.05	9.05	7.87
Shelf area (sq. ft.)	24.1	24.1	24.1	24.1	24.1	23.2	23.2	24.0	24.0	21.8
Features										
Refreshment Center	●/-	●								
Electronic Monitor System	●/-	●								
Exclusive Water by Culligan™	●	●	●	●	●					
LightTouch! dispenser	Cubes, Crushed Ice & Chilled Water	Cubes, Crushed Ice & Chilled Water	Cubes, Crushed Ice & Chilled Water	Cubes, Crushed Ice & Chilled Water	Cubes, Crushed Ice & Chilled Water	Cubes, Crushed Ice & Chilled Water	Cubes, Crushed Ice & Chilled Water	Cubes, Crushed Ice & Chilled Water	Cubes, Crushed Ice & Chilled Water	Cubes, Crushed Ice & Chilled Water
Auto. factory-installed icemaker & ice bin	●	●	●	●	●	●	●	●	●	●
Cabinet shelves (adjustable)	3 Glass	3 Glass	3 Glass	3 Glass	3 Glass	3 Glass	3 Glass	3 Glass	3 Glass	3 Glass
(slide-out, spill-proof)	3	3	3	3	3	3	3	3	3	3
ShelfSaver™	2 Glass	2 Glass	2 Glass	2 Glass	2 Glass	2 Glass	2 Glass	2 Glass	2 Glass	2 Glass
QuickSpace™ shelf	●	●	●	●	●	●	●	●	●	●
Freshness Center™ (w/spill-proof cover)										
Snack pan (top)	Adj. Humidity	Adj. Humidity	Adj. Humidity	Adj. Humidity	Adj. Humidity	Adj. Humidity	Adj. Humidity	Adj. Humidity	Adj. Humidity	Adj. Humidity
Vegetable/fruit crisper (middle)	Adj. Humidity	Adj. Humidity	Adj. Humidity	Adj. Humidity	Adj. Humidity	Adj. Humidity	Adj. Humidity	Adj. Humidity	Adj. Humidity	Adj. Humidity
Meat pan (lower)	Adj. Temp.	Adj. Temp.	Adj. Temp.	Adj. Temp.	Adj. Temp.	Adj. Temp.	Adj. Temp.	Adj. Temp.	Adj. Temp.	Adj. Temp.
ClearLook™ modular door bins	4 (2 Adj. Gal.)	4 (2 Adj. Gal.)	4 (2 Adj. Gal.)	4 (2 Adj. Gal.)	4 (2 Adj. Gal.)	4 (2 Adj. Gal.)	4 (2 Adj. Gal.)	4 (2 Adj. Gal.)	4 (2 Adj. Gal.)	4 (2 Adj. Gal.)
Dairy compartment w/glass butter dish	●	●	●	●	●	●	●	●	●	●
Beverage rack	●	●	●	●	●	●	●	●	●	●
Egg bin	●	●	●	●	●	●	●	●	●	●
Interior light(s)	2	2	2	2	2	2	2	2	2	2
Freezer slide-out basket(s)	1 Wire Everwhite	1 Wire Everwhite	1 Wire Everwhite	1 Wire Everwhite	1 Wire Everwhite	1 Wire Everwhite	1 Wire Everwhite	1 Wire Everwhite	1 Wire Everwhite	3 Wire Everwhite
Freezer storage bin(s) (wire Everwhite)	1 Sliding	1 Sliding	1 Sliding	1 Sliding	1 Sliding	1 Sliding	1 Sliding	1 Sliding	1 Sliding	1 Sliding
Cantilevered freezer shelf	3 (2 Adj.)	3 (2 Adj.)	3 (2 Adj.)	3 (2 Adj.)	3 (2 Adj.)	3 (2 Adj.)	3 (2 Adj.)	4 (3 Adj.)	4 (3 Adj.)	4 (3 Adj.)
Freezer door shelves	4 (2 Adj.)	4 (2 Adj.)	4 (2 Adj.)	4 (2 Adj.)	4 (2 Adj.)	4 (2 Adj.)	4 (2 Adj.)	5 (2 Adj.)	5 (2 Adj.)	4
Adjustable rollers	●	●	●	●	●	●	●	●	●	●
Economical/Quiet										
Quiet Package	II	II	II	II	II	II	II	II	II	I
Auto Energy Saver (condenser loop)	●	●	●	●	●	●	●	●	●	●
Insulation (cabinet)	Foam	Foam	Foam	Foam	Foam	Foam	Foam	Foam	Foam	Foam
Cabinet liner—Baked Enamel-on-Steel	●	●	●	●	●	●	●	●	●	●
Door liner—ABS	●	●	●	●	●	●	●	●	●	●
Appearance										
Color(s) available*	BS	WW, CC, AA, BB	WW, CC, AA, BB	BS	WW, CC, BB	WW, AA, BB	WW, AA, BB	WW, BB	BS	WW, AA, BB WW, BB
Built-in configuration	Trimless	Trimless	Trimless	Trimless	Installed Trim	Trimless	Installed Trim	Installed Trim	Trimless	Trimless Installed Trim
Premium Deluxe door handle(s)	Black	Color-Matched	Color-Matched	N/A	N/A	Color-Matched	N/A	N/A	N/A	Color-Matched -
Full-length handles	N/A	N/A	N/A	Stainless Steel Appearance	Color-Matched	N/A	Color-Matched	Color-Matched	Stainless Steel Appearance	Color-Matched -
Exterior design	Rounded Doors	Rounded Doors	Rounded Doors	Squared Doors	Squared Doors	Rounded Doors	Squared Doors	Squared Doors	Squared Doors	Squared Doors
Textured steel		●	●		●	●	●	●	●	●
Weights & Dimensions										
Height to top of hinge (in.)	69-3/4	69-3/4	69-3/4	69-3/4	69-3/4	69-3/4	69-3/4	69-3/4	69-3/4	69-3/4
Height to top of case (in.)	68-3/4	68-3/4	68-3/4	68-3/4	68-3/4	68-3/4	68-3/4	68-3/4	68-3/4	68-3/4
Case depth without door (in.)	23-7/8	23-7/8	23-7/8	23-7/8	23-7/8	23-7/8	23-7/8	23-7/8	23-7/8	23-3/4
Case depth less door handle (in.)	26-3/8	26-3/8	26-3/8	26-3/8	26-3/8	26-3/8	26-3/8	26-3/8	26-3/8	26
Case depth with door handle (in.)	28-7/16	28-7/16	28-7/16	28-7/16	28-7/16	28-7/16	28-7/16	28-7/16	28-7/16	28-1/2 27-5/8
Depth w/fresh food door open 90° (in.)	45-5/8	45-5/8	45-5/8	45-5/8	45-5/8	45-5/8	45-5/8	45-5/8	45-5/8	45-5/8
Width (in.)	35-3/4	35-3/4	35-3/4	35-3/4	35-3/4	35-3/4	35-3/4	35-3/4	35-3/4	35-3/4
Width w/door open 90° w/door handle (in.)	40-7/8	40-7/8	40-7/8	40-7/8	40-7/8	40-7/8	40-7/8	40-7/8	40-7/8	40
Air clearances Each side (in.)	1/8**	1/8**	1/8**	1/8**	1/8**	1/8**	1/8**	1/8**	1/8**	1/8**
Top (in.)	1	1	1	1	1	1	1	1	1	1
Back (in.)	1/2	1/2	1/2	1/2	1/2	1/2	1/2	1/2	1/2	1/2
Approx. shipping weight (lbs.)	376	350	350	376	350	350	350	350	376	336
Accessories										
Factory trim kit attached	N/A	N/A	N/A	N/A	●	N/A	●	●	N/A	N/A
Black acrylic panels (optional)	N/A	N/A	N/A	N/A	TKP24RBBB	N/A	TKP24RBBB	TKP24IBBB	N/A	N/A/TKP21LS
White acrylic panels (optional)	N/A	N/A	N/A	N/A	TKP24RBWWW	N/A	TKP24RBWWW	TKP24IBWWW	N/A	N/A/TKP21LS
Bisque acrylic panels (optional)	N/A	N/A	N/A	N/A	TKP24RBCC	N/A	TKP24RBCC	N/A	N/A	N/A
Almond acrylic panels (optional)	N/A	N/A	N/A	N/A	N/A	N/A	TKP24RBAA	N/A	N/A	N/A
Stainless steel panels (optional)	N/A	N/A	N/A	N/A	TKP24RBSS	N/A	TKP24RBSS	TKP24IBSS	N/A	N/A/TKP21RXSS
Black collar trim (optional)	N/A	N/A	N/A	N/A	TRMBISBB	N/A	TRMBISBB	TRMBISBB	N/A	N/A/TRMBISBB
White collar trim (optional)	N/A	N/A	N/A	N/A	TRMBISWW	N/A	TRMBISWW	TRMBISWW	N/A	N/A/TRMBISWW
Bisque collar trim (optional)	N/A	N/A	N/A	N/A	TRMBISCC	N/A	TRMBISCC	N/A	N/A	N/A
Almond collar trim (optional)	N/A	N/A	N/A	N/A	N/A	N/A	TRMBISAA	N/A	N/A	N/A
Stainless steel collar trim (optional)	TRMBISSS	N/A	N/A	TRMBISSS	TRMBISSS	N/A	TRMBISSS	TRMBISSS	TRMBISSS	N/A

*Color(s) available: BS = Black case with stainless steel doors, WW = White on white, CC = Bisque, AA = Almond on almond, BB = Black on black.
 **If installed against a wall, allow clearance of 11-1/4" on freezer side to remove bin. Clearance required to remove fresh food full size pan without disassembling is 13-1/2".
ALL MODELS AVAILABLE IN U.S. AND CANADA. NOTE: When connecting a water supply line to a GE refrigerator, a GE Water Supply Kit is recommended.

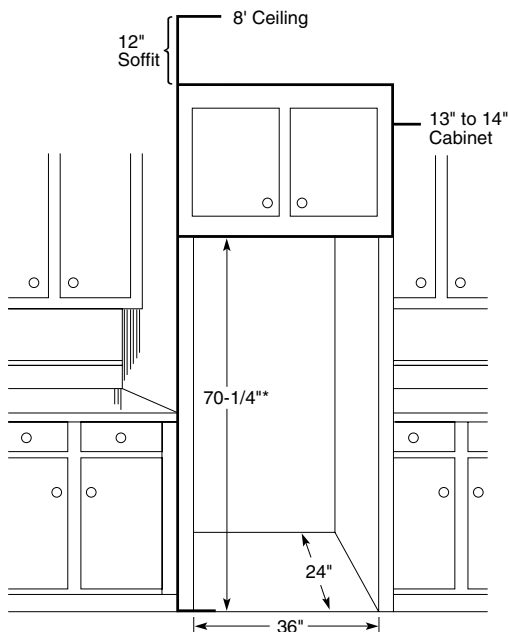
GE Profile Performance™ and GE Profile™ Side-by-Side CustomStyle™ Installation Information and Specifications

Rough-In Dimensions

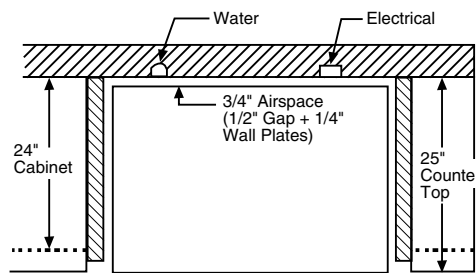
Standard, New Construction and Replacement Installation

Installation Tips to Maximize the Built-In Look

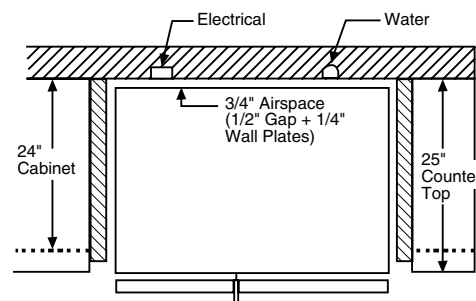
- All wall/floor molding should be removed prior to installation.
- Water recess on rear wall recommended to prevent water line damage. 48" minimum length 1/4" diameter water line tubing recommended.
- When possible, recess both copper water line and electrical outlet.
- Front and rear leveling legs are adjustable for the built-in look. (See owner's manual)
- If optional collar trim kit is to be used or anticipated, see collar trim installation on next page for different rough-in dimensions.



*The rough-in dimension of 70-1/4" is minimum and is measured from the finished floor to top of opening (or the underside of the overhead cabinets). For Models with Trim Kit: If frameless style cabinets are planned for above the refrigerator, you may need to consider adding a maximum of 1/4" (70-1/2") to height of opening to allow additional clearance between cabinet doors and top of refrigerator trim when cabinet doors are in open position.



For 24 cu. ft. models only.



For 21 cu. ft. models only.

Door Panel Dimensions

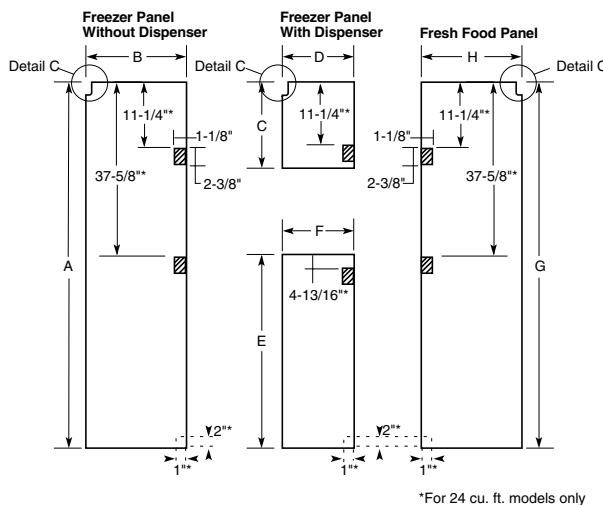
Order your own custom wood panels to match cabinetry or other decor.

	Fresh Food Panels	Freezer Panel With Dispenser	Freezer Panel Without Dispenser	Weight Limits*
21 cu. ft.	G-65-3/16" H-20-1/16"	C-18-3/4" D-14-5/16"	E-32-3/8" F-14-5/16"	Fresh Food = 38 lbs. Freezer = 28 lbs.
24 cu. ft.	G-67-1/8" H-19-5/16"	C-18-13/16" D-14-1/2"	E-34-5/16" F-14-1/2"	Fresh Food = 35 lbs. Freezer = 25 lbs.

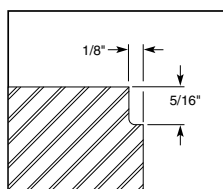
Panels up to 1/4" thick will fit door frame with no special preparation. Add filler behind material thinner than 1/4" for proper fit.

*Total weight of panels (i.e., both freezer panels)

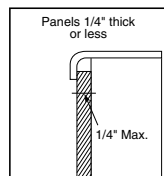
Note: Panels up to 3/4" will require special routing area around handles. Dimensions may vary depending on depth of panel.



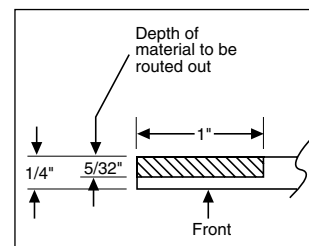
Detail C



(Fresh Food panel shown)
Notch required at top corner as noted.
For 21 and 24 cu. ft. models



All other dotted lines indicate areas that must be routed out about 5/32" (4 mm) on the back side of panels 1/4" (6 mm) thick or more. For panels less than 1/4" (6 mm) thick, these areas can be cut out of the filler panel.



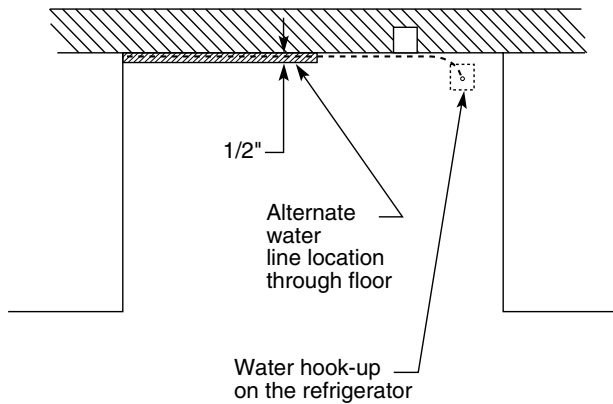
IMPORTANT: Before finalizing specifications for your GE Profile Performance™ and GE Profile™ CustomStyle™ Refrigerator, please NOTE:

- A minimum of 36" is required for refrigerator installation
- Be sure to allow for 1/2" or 3/4" side panels in addition to the 36" minimum

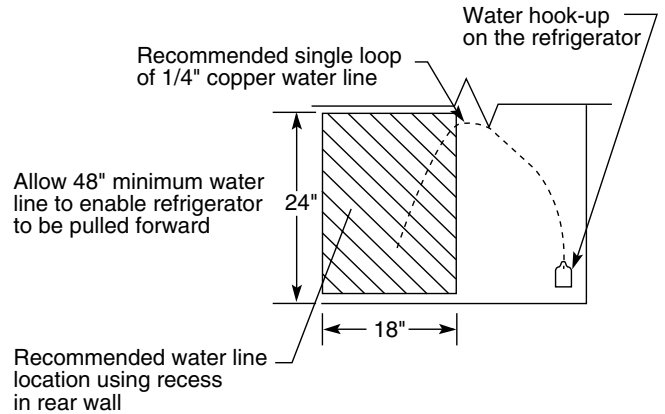
GE Profile Performance™ and GE Profile™ Side-by-Side CustomStyle™ Installation Information and Specifications

Installation of Water and Electrical Outlets

For 21 cu. ft. models only.



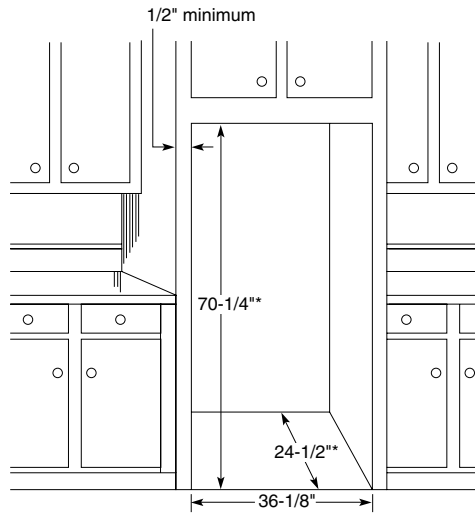
Top View



Rear Wall View

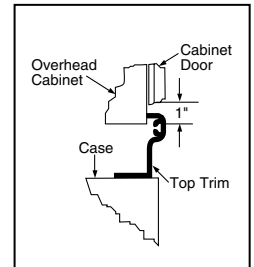
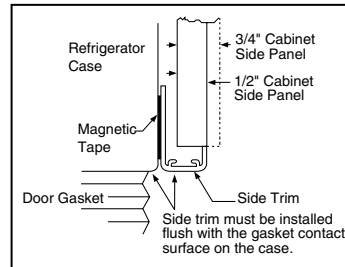
Collar Trim Installation

An enclosure is **required** to match up to the trim, see Typical Installation. To obtain the most integrated look, the cabinet or soffit above the refrigerator should extend out to the same depth as the side panels. The refrigerator opening must have minimum dimensions of 70-1/4" high x 36-1/8" wide x 24-1/2" deep as shown at right. If there is an overhead cabinet, allow 1" for cabinet door clearance with the top trim piece so the cabinet doors can be opened without hitting the top trim. If 1/2" side panels are used, then side trim and panel will be even. If 3/4" side panels are used, then some of the side panel will extend beyond the trim and must be finished.

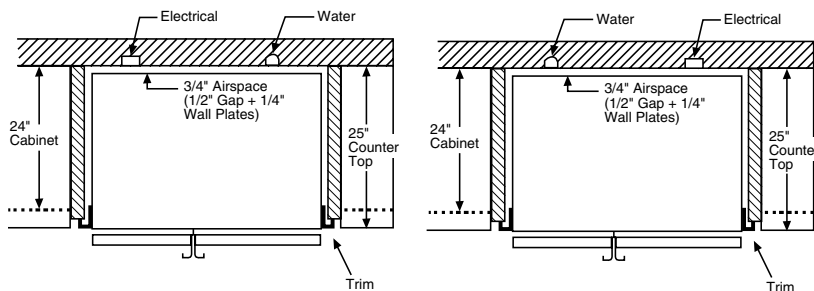
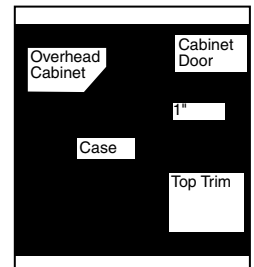
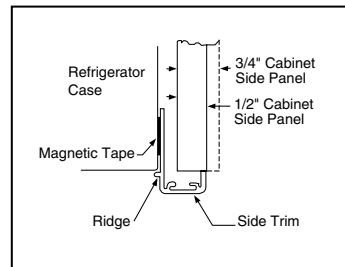


*The rough-in dimension of 70-1/4" is minimum and is measured from the finished floor to top of opening (or the underside of the overhead cabinets). For Models with Trim Kit: If frameless style cabinets are planned for above the refrigerator, you may need to consider adding a maximum of 1/4" (70-1/2") to height of opening to allow additional clearance between cabinet doors and top of refrigerator trim when cabinet doors are in open position.

For 24 cu. ft. models only.

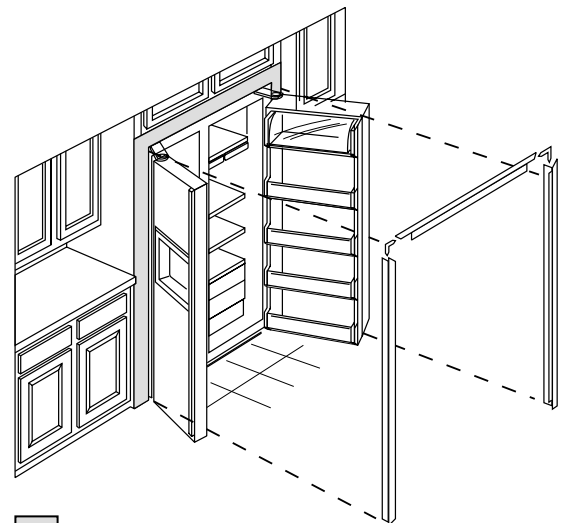


For 21 cu. ft. models only.



For 21 cu. ft. models only.

For 24 cu. ft. models only.



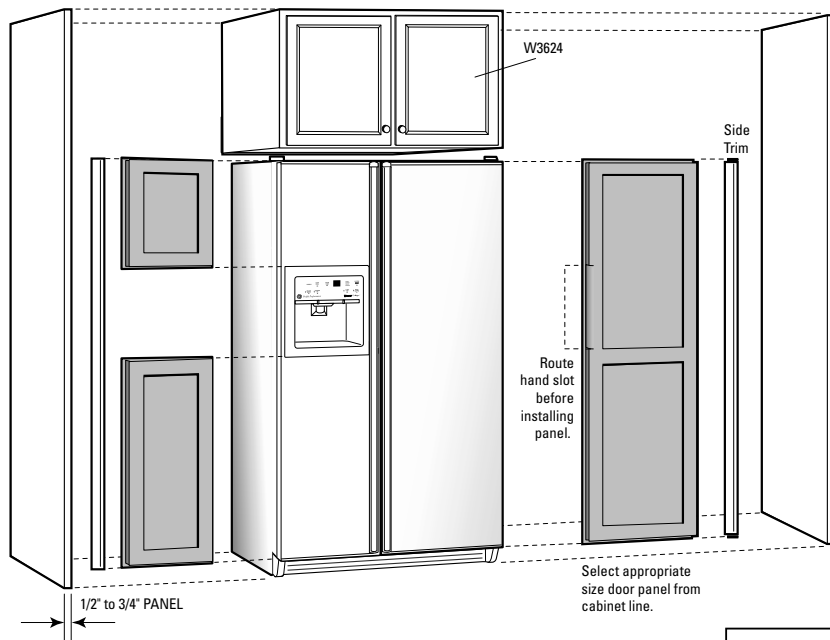
Typical Installation

Shaded areas represent front surfaces of side panels and overhead cabinet or soffit that contacts trim.

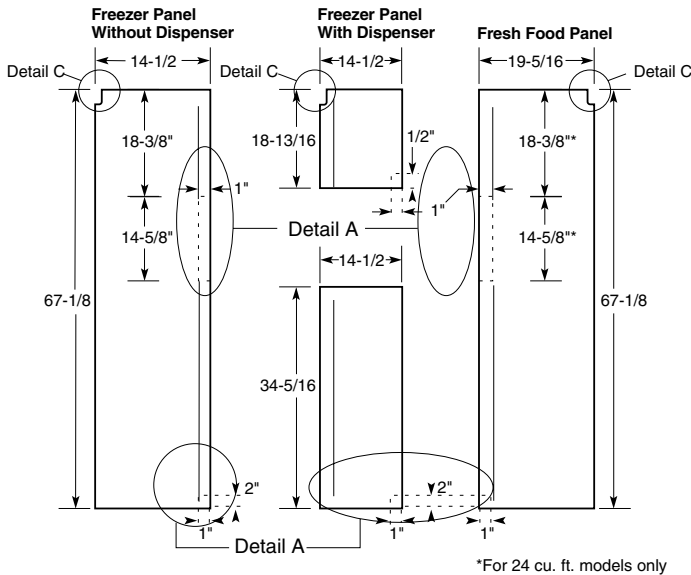
IMPORTANT: Before finalizing specifications for your GE Profile Performance™ and GE Profile™ CustomStyle™ Refrigerator, please NOTE:

- A minimum of 36-1/8" is required for refrigerator installation with collar
- Be sure to allow for 1/2" or 3/4" side panels in addition to the 36-1/8" minimum

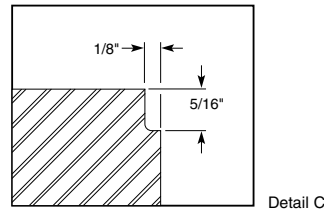
Create a Custom Look for Your Side-by-Side CustomStyle™ Refrigerator



Still another advantage offered by GE Profile Performance™ and GE Profile™ CustomStyle™ Refrigerators is the ease with which it can be installed. For a refrigerator that does so much to enhance the beauty of your kitchen, the “behind-the-scenes” preparation and installation are surprisingly simple.



*For 24 cu. ft. models only

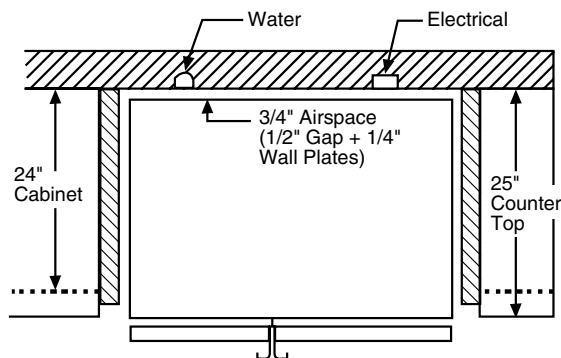


Fabricating the Enclosure

- The drawing shows an 84" cabinet elevation. Adjust dimensions accordingly for other cabinet elevations.
- Cabinet pieces to order: (2) side panels and (1) wall cabinet.
- Side panels will typically be attached to adjacent cabinets and/or cleated to rear wall and floor.
- Refer to GE refrigerator installation instructions for proper plumbing, and electrical and air clearances.
- (1) Some framed cabinet lines will make a refrigerator enclosure with a cabinet 12" high x 39" wide with sides and 1-1/2" face frame extended down to floor to create the refrigerator space. This will replace the above construction.
- (2) A tall cabinet on either side of the refrigerator can replace a side panel!
- Counter overhangs on either side of the refrigerator should have clipped corners to allow for full door swing.
- If the refrigerator has a wall returning beyond the front of the refrigerator on either side, a 2" tall filler will help to allow for movement of the door.

Door Panels

- See drawings for exact dimensions of the fresh-food and freezer door panels.
- Refrigerator door fronts from stock and most semi-custom cabinet manufacturers will be supplied as 1/4"-thick panels cut to dimensions, with closest available standard door sizes applied to front.
 - This will leave a “reveal” at top/bottom and sides.
 - Width of “reveal” will depend on manufacturer’s standard door sizes.
 - Door will be affixed on the 1/4" panels at factory or in the field by the local supplier, depending on manufacturer.
- Local shop-built or custom cabinet supplier may fabricate custom 3/4" panels. In this case, edges must be routed.
- Follow notes on drawing to assure room for fingers/hands to open handles.
- Detail A: Dotted line indicates areas that must be routed out about 3/16" (5mm) on the back of side panels 1/4" (6mm) thick or more.



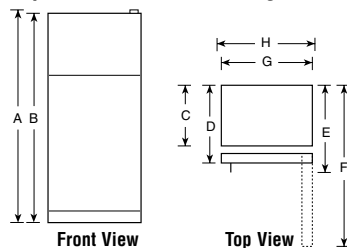
For 24 cu. ft. models only.

CustomStyle™ No-Frost Top-Freezer Refrigerators

	GE Profile Performance Series™						
	TNX22PRC	TNS22PRC	TNX22PAC	TNS22PAC	TNX22BRC	TNS22BRC	TNX22BAC
Stainless steel model		●		●		●	
Capacity							
Total (cu. ft.)	21.7	21.7	21.9	21.9	21.7	21.7	21.9
Fresh food (cu. ft.)	15.4	15.4	15.4	15.4	15.4	15.4	15.4
Freezer (cu. ft.)	6.3	6.3	6.5	6.5	6.3	6.3	6.5
Shelf area (sq. ft.)	20.0	20.0	22.4	22.4	20.0	20.0	22.4
Features							
LightTouch! dispenser	Cubes, Crushed Ice & Chilled Water	Cubes, Crushed Ice & Chilled Water			Cubes, Crushed Ice & Chilled Water	Cubes, Crushed Ice & Chilled Water	
Automatic icemaker & ice bin	Factory-Installed	Factory-Installed	Opt. (IM3)	Opt. (IM3)	Factory-Installed	Factory-Installed	Opt. (IM3)
Ice 'N Easy trays			4	4			4
Ice storage bin			●	●			●
Cabinet shelves	4 Glass	4 Glass	4 Glass	4 Glass	4 Glass	4 Glass	4 Glass
(adjustable)	4 Split	4 Split	4 Split	4 Split	4 Split	4 Split	4 Split
(slide-out)	3	3	3	3	3	3	3
(spill-proof)	4	4	4	4	4	4	4
QuickSpace™ shelf	●	●	●	●	●	●	●
Quick Store™ bin	●	●	●	●	●	●	●
Beverage rack	●	●	●	●	●	●	●
Window vegetable/fruit crisper	2 Adj. Humidity	2 Adj. Humidity	2 Adj. Humidity	2 Adj. Humidity	2 Adj. Humidity	2 Adj. Humidity	2 Adj. Humidity
Slide-out, spill-proof crisper cover	●	●	●	●	●	●	●
Meat pan	Adj. Temperature	Adj. Temperature	Adj. Temperature	Adj. Temperature	Adj. Temperature	Adj. Temperature	Adj. Temperature
ClearLook™ modular door bins	3 Adj. w/Gallon Storage	3 Adj. w/Gallon Storage	3 Adj. w/Gallon Storage	3 Adj. w/Gallon Storage	3 Adj. w/Gallon Storage	3 Adj. w/Gallon Storage	3 Adj. w/Gallon Storage
Door shelf	1 Fixed	1 Fixed	1 Fixed	1 Fixed	1 Fixed	1 Fixed	1 Fixed
Slide-out, slide-over pans	●	●	●	●	●	●	●
Snuggler™ Clip(s)	2	2	2	2	2	2	2
Modular dairy compartment	1	1	1	1	1	1	1
Glass butter dish	●	●	●	●	●	●	●
Dual upfront temperature control (backlit)	●	●	●	●	●	●	●
Fresh food upfront lighting	●	●	●	●	●	●	●
Freezer interior light	●	●	●	●	●	●	●
Freezer compartment shelf(s) (wire Everwhite)	1 Adj.	1 Adj.	2 Adj.	2 Adj.	1 Adj.	1 Adj.	2 Adj.
Freezer door bins	2 Fixed (1 w/gal. storage)	2 Fixed (1 w/gal. storage)	1 FAW, 2 Modular Clear Gallon Bins	1 FAW, 2 Modular Clear Gallon Bins	2 Fixed (1 w/gal. storage)	2 Fixed (1 w/gal. storage)	1 FAW, 2 Modular Clear Gallon Bins
Adjustable rollers	●	●	●	●	●	●	●
Economical/Quiet							
Cabinet/door insulation	Foam	Foam	Foam	Foam	Foam	Foam	Foam
Cabinet/door liner	ABS	ABS	ABS	ABS	ABS	ABS	ABS
Appearance							
Color(s) available*	WW, CC, BB	BS	WW, CC, BB	BS	WW, BB	BS	WW, BB
Door handle(s)	Color-Matched Premium Deluxe	Black Premium Deluxe	Color-Matched Premium Deluxe	Stainless Steel Full-Length	Color-Matched Full-Length	Stainless Steel Full-Length	Color-Matched Full-Length
Textured steel doors & case	●		●	●	●	●	●
Built-in configuration	Trimless	Trimless	Trimless	Trimless	Installed Trim	Factory-Installed Trim & Stainless Steel Panels	Installed Trim
Exterior design	Rounded Doors	Rounded Doors	Rounded Doors	Rounded Doors			
Choose right or left door opening	●	●	●	●	●	●	●
Reversible doors	●	●	●	●	●	●	●
Weights & Dimensions							
Height to top of hinge (in.) A	69-7/8	69-7/8	69-7/8	69-7/8	69-15/16	69-15/16	69-15/16
Height to top of case (in.) B	68-3/4	68-3/4	68-3/4	68-3/4	70-7/16	70-7/16	70-7/16
Case depth without door (in.) C	23-3/4	23-3/4	23-3/4	23-3/4	23-3/4	23-3/4	23-3/4
Case depth less door handle (in.) D	26-3/4	26-3/4	26-3/4	26-3/4	26-3/4	26-3/4	26-3/4
Case depth with door handle (in.) E	28-5/8	28-5/8	28-3/8	28-3/8	28-3/8	28-5/8	28-3/8
Depth w/fresh food door open 90° (in.) F	61	61	61	61	61	61	61
Width (in.) G	35-3/4	35-3/4	35-3/4	35-3/4	35-3/4	35-3/4	35-3/4
Width w/door open 90° w/door handle (in.) H	36-1/4	36-1/4	36-1/4	36-1/4	36-5/8	36-3/8	36-5/8
Air clearances Each side (in.)	1/8	1/8	1/8	1/8	1/8	1/8	1/8
Top (in.)	1	1	1	1	1	1	1
Back (in.)	1/2	1/2	1/2	1/2	1/2	1/2	1/2
Approx. shipping weight (lbs.)	325	325	300	300	325	325	300
Accessories							
Black acrylic panels (optional)	N/A	N/A	N/A	N/A	TKP22RCBB	N/A	TKP22ACBB
White acrylic panels (optional)	N/A	N/A	N/A	N/A	TKP22RCWW	N/A	TKP22ACWW
Stainless steel panels (optional)	N/A	N/A	N/A	N/A	TKP22RCSS	N/A	TKP22ACSS
Black collar trim (optional)	N/A	N/A	N/A	N/A	TRMBISBB	N/A	TRMBISBB
White collar trim (optional)	N/A	N/A	N/A	N/A	TRMBISWW	N/A	TRMBISWW
Stainless steel collar trim (optional)	N/A	N/A	N/A	N/A	TRMBISSS	TRMBISSS	TRMBISSS

*Color(s) available: BS = Black case with stainless steel doors, WW = White on white, CC = Bisque, AA = Almond on almond, BB = Black on black.
ALL MODELS AVAILABLE IN U.S. AND CANADA.

Top-Freezer No-Frost Refrigerator



See page 158 for warranty information.

GE Profile Performance™ Top-Freezer CustomStyle™ Installation Information and Specifications

Rough-In Dimensions

Standard, New Construction and Replacement Installation

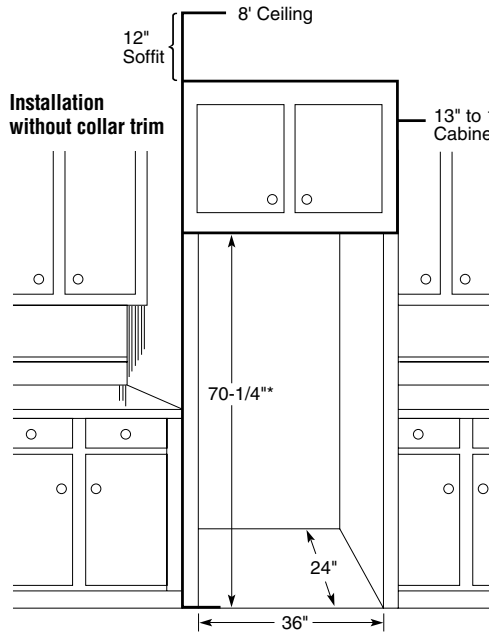
Installation Tips to Maximize the Built-In Look

- All wall/floor molding should be removed prior to installation.
- Water recess on rear wall recommended to prevent water line damage. 48" minimum length 1/4" diameter water line tubing recommended.
- When possible, recess both copper water line and electrical outlet. (See local codes)
- Front and rear leveling legs are adjustable for the built-in look. (See owner's manual)

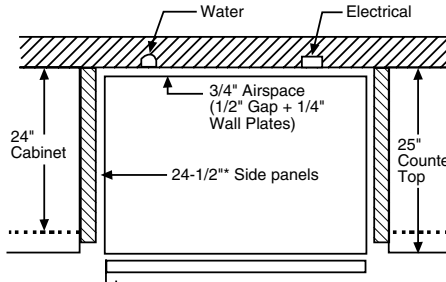
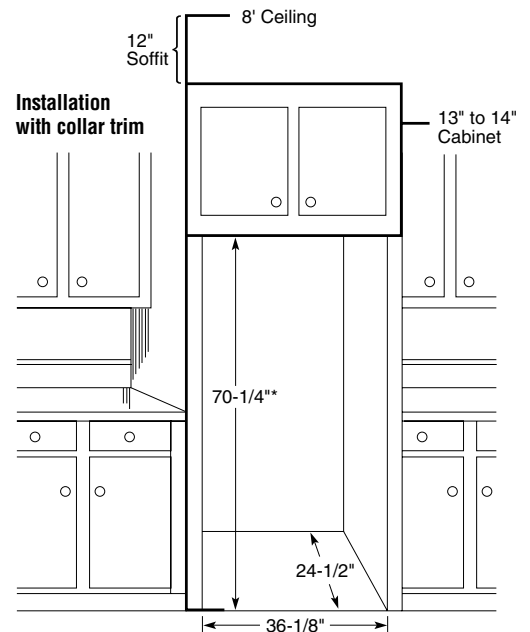
Collar Trim Installation

An enclosure is **required** to match up to the trim, see Typical Installation. To obtain the most integrated look, the cabinet or soffit above the refrigerator should extend out to the same depth as the side panels. The refrigerator opening must have minimum dimensions of 70-1/4" high x 36-1/8" wide x 24-1/2" deep as shown at right. If there is an overhead cabinet, allow 1" for cabinet door clearance with the top trim piece so the cabinet doors can be opened without hitting the top trim. If 1/2" side panels are used, then side trim and panel will be even. If 3/4" side panels are used, then some of the side panel will extend beyond the trim and must be finished.

Rough-In Dimensions



Collar Trim Installation



*The rough-in dimension of 70-1/4" is minimum and is measured from the finished floor to top of opening (or the underside of the overhead cabinets). For Models with Trim Kit: If frameless style cabinets are planned for above the refrigerator, you may need to consider adding a maximum of 1/4" (70-1/2") to height of opening to allow additional clearance between cabinet doors and top of refrigerator trim when cabinet doors are in open position.

For 22 cu. ft. models only.

*22" depth applies to the refrigerator opening, not the actual cabinet depth.

Door Panel Dimensions

Order your own custom wood panels to match cabinetry or other decor.

	Fresh Food Panels	Freezer Panel Without Dispenser	Freezer Panel With Dispenser
22 cu. ft.	B-42-1/4" C-35-3/4"	A-24-1/16" C-35-3/4"	D-24-1/16" C-35-3/4"

Panels up to 1/4" thick will fit door frame with no special preparation. Add filler behind material thinner than 1/4" for proper fit.

Note: Panels up to 3/4" will require special routing area around handles. Dimensions may vary depending on depth of panel.

Handle Side Clearance

—At least 2" (51 mm) on the handle side for fingertip clearances.

Top and Bottom Clearance

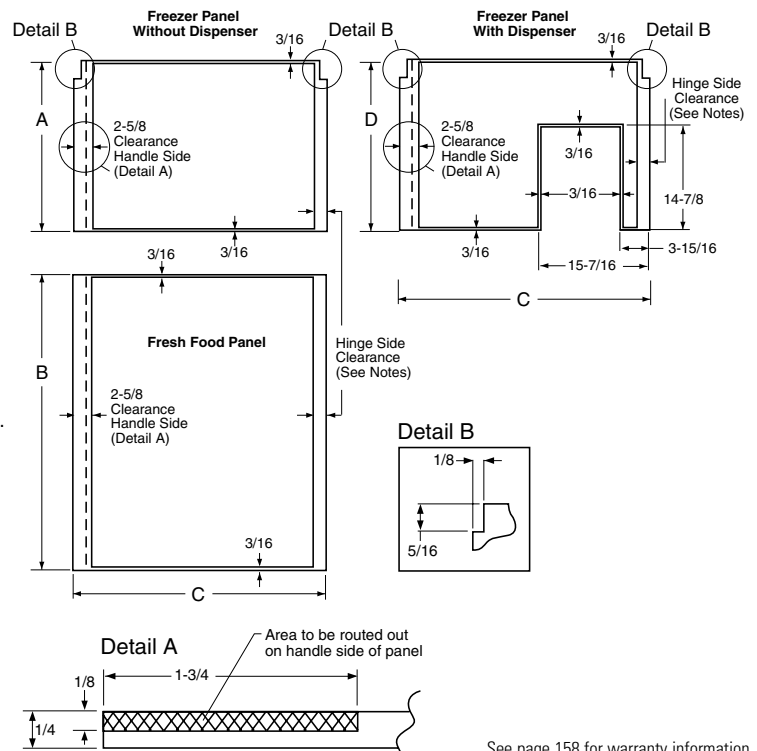
—At least 3/16" (4.75 mm) at the top and bottom edges to allow for trim flange.

Hinge Side Clearance

- A 3/4" (19 mm) thick door panel may strike the adjacent countertops when the door is fully opened. Therefore, the hinge side clearance to raised panel will vary according to the installation situation.
- Allow 1-3/4" (44 mm) clearance when installation does not include side panels.
- The installation of 3/4" (19 mm) thick side panels requires less clearance because the space between the door and adjacent countertop is wider.
- To avoid door contact to countertop consider:
 - Miter the corner of the adjacent countertops 45°, or
 - Pull the refrigerator forward enough to avoid contact.

Stability Leg

- The top-freezer refrigerator is the first cabinet-depth top-freezer. This means depth is more shallow than conventional models and the width is larger. The stability leg gives the unit extra support.



IMPORTANT: Before finalizing specifications for your GE Profile Performance™ CustomStyle™ Refrigerator, please NOTE:
 • A minimum of 36" is required for refrigerator installation
 • Be sure to allow for 1/2" or 3/4" side panels in addition to the 36" minimum

See page 158 for warranty information.

Side-By-Side Refrigerators

GE Profile Performance Series™										
	TFX30PBD TFX30PPD	TFS28PBD TFS28PPD	TFX28PBD	TFX28PPD	TFS26PPD	TFX26PPD	TFB26SPD	TFB26PPD	TFS22PPD	TFX22PPD
Stainless steel model		●			●		●		●	
Capacity										
Total (cu. ft.)	30.0	28.4	28.4	28.4	25.6	25.6	25.6	25.6	21.9	21.9
Fresh food (cu. ft.)	18.15	17.23	17.23	17.23	16.0	16.0	16.0	16.0	14.95	14.95
Freezer (cu. ft.)	11.88	11.18	11.18	11.18	9.59	9.59	9.59	9.59	6.90	6.90
Shelf area (sq. ft.)	30.7	28.6	28.6	28.6	25.3	25.3	25.3	25.3	23.7	23.7
Features										
Refreshment Center	●/-	●/-	●							
Electronic Monitor/Diagnostic System	●/-	●/-	●							
Exclusive Water by Culligan™	●	●	●	●	●	●	●	●	●	●
LightTouch! dispenser	Cubes, Crushed Ice & Chilled Water	Cubes, Crushed Ice & Chilled Water	Cubes, Crushed Ice & Chilled Water	Cubes, Crushed Ice & Chilled Water	Cubes, Crushed Ice & Chilled Water	Cubes, Crushed Ice & Chilled Water	Cubes, Crushed Ice & Chilled Water	Cubes, Crushed Ice & Chilled Water	Cubes, Crushed Ice & Chilled Water	Cubes, Crushed Ice & Chilled Water
Automatic icemaker and ice bin	●	●	●	●	●	●	●	●	●	●
Cabinet shelves	3 Glass	3 Glass	3 Glass	3 Glass	3 Glass	3 Glass	3 Glass	3 Glass	3 Glass	3 Glass
(adjustable)	3	3	3	3	3	3	3	3	3	3
(slide-out, spill-proof)	2 Glass	2 Glass	2 Glass	2 Glass	2 Glass	2 Glass	2 Glass	2 Glass	2 Glass	2 Glass
QuickSpace™ shelf(s)	●	●	●	●	●	●	●	●	●	●
ShelfSaver™	●	●	●	●	●	●	●	●	●	●
Freshness Center™ (w/spill-proof cover)										
Snack pan (top)	Adj. Humid.	Adj. Humid.	Adj. Humid.	Adj. Humid.	Adj. Humid.	Adj. Humid.	Adj. Humid.	Adj. Humid.	Adj. Humid.	Adj. Humid.
Vegetable/fruit crispers (middle)	Adj. Humid.	Adj. Humid.	Adj. Humid.	Adj. Humid.	Adj. Humid.	Adj. Humid.	Adj. Humid.	Adj. Humid.	Adj. Humid.	Adj. Humid.
Meat pan (lower)	Adj. Temp.	Adj. Temp.	Adj. Temp.	Adj. Temp.	Adj. Temp.	Adj. Temp.	Adj. Temp.	Adj. Temp.	Adj. Temp.	Adj. Temp.
ClearLook™ modular door bins	4 w/Super Gal. storage (1 Adj.) 4 w/Super Gal. storage (3 Adj.)	4 w/gal. storage (1 Adj.) 4 w/gal. storage (2 Adj.)	4 w/gal. storage (1 Adj.)	4 w/gal. storage (2 Adj.)	4 (2 Adj. w/ gal. storage)	4 (2 Adj. w/ gal. storage)	4 (2 Adj. w/ gal. storage)	4 (2 Adj. w/ gal. storage)	4 (2 Adj. w/ gal. storage)	4 (2 Adj. w/ gal. storage)
Dairy compartment w/glass butter dish	●	●	●	●	●	●	●	●	●	●
Beverage rack	●	●	●	●	●	●	●	●	●	●
Egg bin (clear)	●	●	●	●	●	●	●	●	●	●
Interior light(s)	2	2	2	2	2	2	2	2	2	2
Freezer compartment shelves (wire Everwhite)	3 (2 Adj.)	3 (2 Adj.)	3 (2 Adj.)	3 (2 Adj.)						
Freezer slide-out baskets (wire Everwhite)	1 Adj.	1 Adj.	1 Adj.	1 Adj.	3	3	3	3	3	3
Freezer storage bin(s) (wire Everwhite)	1 Sliding	1 Sliding	1 Sliding	1 Sliding	1 Sliding	1 Sliding	1 Sliding	1 Sliding	1 Sliding	1 Sliding
Freezer door shelves	4 Extra-Deep (2 Adj.)	4 (2 Adj.)	4 (2 Adj.)	4 (2 Adj.)	5	5	5	5	5	5
Adjustable rollers	●	●	●	●	●	●	●	●	●	●
Economical/Quiet										
Quiet Package II	●	●	●	●	●	●	●	●	●	●
Automatic Energy Saver (condenser loop)	●	●	●	●	●	●	●	●	●	●
Cabinet and door insulation	Foam	Foam	Foam	Foam	Foam	Foam	Foam	Foam	Foam	Foam
Cabinet liner—Baked enamel-on-steel	●	●	●	●	●	●	●	●	●	●
Door liner—ABS	●	●	●	●	●	●	●	●	●	●
Appearance										
Color(s) available*	WW, CC, AA, BB	BS	WW, CC, AA, BB	WW, CC, AA, BB	BS	WW, CC, AA, BB	BS	WW, CC, BB	BS	WW, CC, AA, BB
Premium deluxe door handle(s)	Color-Matched	Black	Color-Matched	Color-Matched	Black	Color-Matched	Black Full-Length	Color-Matched Full-Length	Black	Color-Matched
Exterior design	Rounded Doors	Rounded Doors	Rounded Doors	Rounded Doors			Contour Doors	Contour Doors		
Textured steel doors and case	●	●	●	●		●				●
Weights & Dimensions										
Height to top of hinge (in.) A	69-3/4	69-3/4	69-3/4	69-3/4	69-3/4	69-3/4	69-3/4	69-3/4	67-5/8	67-5/8
Height to top of case (in.) B	68-3/4	68-3/4	68-3/4	68-3/4	68-3/4	68-3/4	68-3/4	68-3/4	66-5/8	66-5/8
Case depth without door (in.) C	28**	28	28	28	28	28	28	28	28	28
Case depth less door handle (in.) D	32-1/4**	30-1/2	30-1/2	30-1/2	30-1/4	30-1/4	31-1/4	31-1/4	30-1/4	30-1/4
Case depth with door handle (in.) E	34-1/2**	32-5/8	32-5/8	32-5/8	32-1/2	32-1/2	33-1/2	33-1/2	32-1/2	32-1/2
Depth with door open 90° (in.) F	49-1/4**	49-3/8	49-3/8	49-3/8	49-3/4	49-3/8	49-3/8	49-3/8	49-3/8	49-3/8
Width (in.) G	35-3/4	35-3/4	35-3/4	35-3/4	35-3/4	35-3/4	35-3/4	35-3/4	33-1/2	33-1/2
Width with door open 90° less door handle (in.) H	40-5/8	36-1/4	36-1/4	36-1/4	36-1/8	36-1/8	37-1/8	37-1/8	34-1/4	34-1/4
Air clearances	Each side (in.)	1/8†	1/8†	1/8†	3/4†	3/4†	3/4†	3/4†	3/4†	3/4†
Top (in.)	1	1	1	1	1	1	1	1	1	1
Back (in.)	1/2	1/2	1/2	1/2	1	1/2	1	1	1	1
Approx. shipping weight (lbs.)	395	421	395	395	361	335	361	421	310	332
Accessories										
Aluminum trim kit	TK30FBAL TK30RBAL	N/A	TK28FBAL	N/A	N/A	TK26RBAL	N/A	N/A	N/A	N/A
Black acrylic panels	N/A	N/A	TKP28FB	N/A	N/A	TKP26RB	N/A	N/A	N/A	N/A
Magnetic black acrylic panels and trim kit	N/A	N/A	N/A	N/A	N/A	TFP26RB	N/A	N/A	TFP22RB	N/A
Stainless steel panels	TKP30FBSS TKP30RBSS	N/A	N/A	N/A	N/A	N/A	N/A	N/A	N/A	N/A

*Color(s) available: BS = Black case with stainless steel doors, WW = White on white, CC = Bisque, AA = Almond on almond, BB = Black on black.

**Add 9/16" for water hook-up. Hook-up fits in 5/8" back air clearance when calculating installation depth.

†If installed against a wall, allow clearance of 11-1/4" on freezer side to remove ice bin.

To remove fresh food pans, remove door bins.

Clearances required to remove fresh food full-size pan without disassembling:

10-1/2" on 22 cu. ft.; 13-5/8" on 26 cu. ft.; 15-3/4" on 28 cu. ft.; 13" on 30 cu. ft.

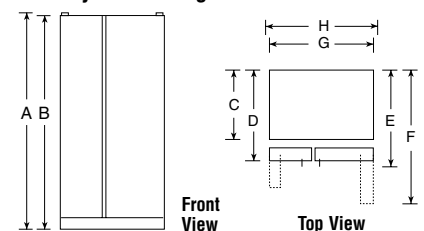
For Built-In Appearance allow height space of 69-3/4" on 26 and 28 cu. ft.

Plus, allow additional space for any necessary leveling adjustments.

ALL MODELS AVAILABLE IN U.S. AND CANADA.

Note: If the doors cannot be fully opened because of an obstruction or a wall on either side, a door stop should be installed to prevent door or wall damage. If the doors cannot be opened at least 90 degrees, access to the drawers is limited.

Side-By-Side Refrigerators



See page 158 for warranty information.

Side-By-Side Refrigerators

	GE Profile™		GE "Z" Series		GE "K" Series		GE "J" Series		GE "S" Series
	TFX26PRD TFX25PAD	TFX22PRD	TFX26ZPD	TFX22ZPD	TFX26KPD TFX26KRD	TFX22KPD TFX22KRD	TFX20JRB	TFX20JAB	TFX20SAB
Capacity									
Total (cu. ft.)	25.6/25.4	21.9	25.6	21.9	25.6	21.9	19.9	19.7	19.7
Fresh food (cu. ft.)	16.0	14.95	16.0	14.95	16.0	14.95	12.95	12.95	12.95
Freezer (cu. ft.)	9.59/9.40	6.9	9.59	6.90	9.59	6.90	6.90	6.79	6.79
Shelf area (sq. ft.)	24.3/25.9	22.8	24.7	23.0	23.0	21.3	20.1	20.6	20.6
Features									
Exclusive Water by Culligan™			●	●	●/—	●/—			
LightTouch! dispenser	Cubes, Crushed Ice & Chilled Water	Cubes, Crushed Ice & Chilled Water	Cubes, Crushed Ice & Chilled Water	Cubes, Crushed Ice & Chilled Water	Cubes, Crushed Ice & Chilled Water	Cubes, Crushed Ice & Chilled Water	Cubes, Crushed Ice & Chilled Water		
Automatic icemaker and ice bin	●/Opt. (IM3)	●	●	●	●	●	●	Opt. (IM3)	Opt. (IM3)
Ice 'N Easy trays	-/2							2	2
Ice storage bin	-/●							●	●
Cabinet shelves	3 Glass	3 Glass	3 Glass	3 Glass	3 Glass	3 Glass	3 Glass	3 Glass	3 Wire Everwhite
(adjustable)	3	3	3	3	3	3	3	3	3
(slide-out)	2 Glass	2 Glass							
(spill-proof)	2	2	2	2	●	●			
QuickSpace™ shelf(s)	●	●	●	●					
Freshness Center™ (w/spill-proof cover)									
Snack pan (top)	Adj. Humid.	Adj. Humid.							
Vegetable/fruit crisper (upper)	Adj. Humid.	Adj. Humid.							
Meat pan (lower)	Adj. Temp.	Adj. Temp.							
Snack pan			●	●					
Vegetable/fruit crispers (upper)			1 Adj. Humid.	1 Adj. Humid.	1 Adj. Humid.	1 Adj. Humid.	1 Sealed	1 Sealed	2 (1 Sealed)
Meat pan (lower)			1 Adj. Temp.	1 Adj. Temp.	1 Adj. Temp.	1 Adj. Temp.	1 Adj. Temp.	1 Adj. Temp.	
Modular door bins	4 ClearLook™ (2 Adj. w/gallon storage)	4 ClearLook™ (2 Adj. w/gallon storage)	4 (2 Adj. w/gallon storage)	4 (2 Adj. w/gallon storage)	4 (2 Adj. w/gallon storage)	4 (2 Adj. w/gallon storage)	4 (2 w/gallon storage)	4 (2 w/gallon storage)	4 (2 w/gallon storage)
Snuggler™ Clip(s)			2	2	2	2	2	2	
Dairy compartment with butter dish	●	●	●	●	●	●	●	●	●
Beverage rack	●	●	●	●	●	●	●	●	●
Utility/egg bin (clear)	●	●	●	●	●	●	●	●	●
Interior light(s)	2	2	2	2	1	1	1	1	1
Freezer compartment shelves (wire Everwhite)	1 Adj.		3 Adj.	3 Adj.	3 Adj.	3 Adj.	3 Adj.	4 Adj.	4 Adj.
Freezer slide-out baskets	3 wire Everwhite	3 wire Everwhite							
Freezer storage bin(s)	1 Sliding	1 Sliding	1 Sliding	1 Sliding	1 Sliding	1 Sliding	1 Sliding	1 Sliding	1 Sliding
Freezer door shelves	5	5	5	5	5	5	5	6	6
Adjustable rollers	●	●	●	●	●	●	●	●	●
Economical/Quiet									
Quiet Package									
Automatic Energy Saver (condenser loop)	●	●	●	●	●	●	●	●	●
Cabinet/door insulation	Foam	Foam	Foam	Foam	Foam	Foam	Foam	Foam	Foam
Cabinet liner—Baked enamel-on-steel	●	●	●	●	●	●	●	●	●
Door liner—ABS	●	●	●	●	●	●	●	●	●
Appearance									
Color(s) available*	WW, AA, BB	WW, AA, BB	WW, CC, AA, BB	WW, CC, AA, BB	WW, AA	WW, AA	WW, AA, WH	WW, AA	WW, AA
Deluxe door handle(s)	CM/Premium	CM/Premium	Color-Matched	Color-Matched	Color-Matched	Color-Matched	CM/Black	Color-Matched	Color-Matched
Textured steel doors and case	●	●	●	●	●	●	●	●	●
Weights & Dimensions									
Height to top of hinge (in.) A	69-3/4	67-5/8	69-3/4	67-5/8	69-3/4	67-5/8	67-5/8	67-5/8	67-5/8
Height to top of case (in.) B	68-3/4	66-5/8	68-3/4	66-5/8	68-3/4	66-5/8	66-5/8	66-5/8	66-5/8
Case depth without door (in.) C	28	28	28	28	28	28	28	28	28
Case depth less door handle (in.) D	30-1/4	30-1/4	30-1/4	30-1/4	30-1/4	30-1/4	30-1/4	30-1/4	30-1/4
Case depth with door handle (in.) E	32-1/2	32-1/2	32-1/2	32-1/2	32-1/2	32-1/2	32-1/2	32-1/2	32-1/2
Depth with door open 90° (in.) F	49-3/4	49-3/8	49-3/4	49-3/8	49-3/4	49-3/8	47-3/8	47-3/8	47-3/8
Width (in.) G	35-3/4	33-1/2	35-3/4	33-1/2	35-3/4	33-1/2	31-1/2	31-1/2	31-1/2
Width with door open 90° less door handle (in.) H	36-1/8	34-1/4	36-1/8	34-3/8	36-1/8	34-3/8	32-1/4	32-1/4	32-1/4
Air clearances	Each side (in.)	3/4†	3/4†	3/4†	3/4†	3/4†	3/4†	3/4†	3/4†
Top (in.)	1	1	1	1	1	1	1	1	1
Back (in.)	1	1	1	1	1	1	1	1	1
Approx. shipping weight (lbs.)	335	327	335	327	335	327	327	327	296
Accessories									
Aluminum trim kit	TK26RBAL/N/A	N/A	TK26RBAL	N/A	N/A	N/A	N/A	N/A	N/A
Black acrylic panels	TKP26RB/N/A	N/A	TKP26RB	N/A	N/A	N/A	N/A	N/A	N/A
Magnetic black acrylic panels and trim kit	N/A	TFP22RB	TFP26RB	TFP22RB	TFP26RB	TFP22RB	TFP20RB	N/A	N/A
Stainless steel panels	N/A	N/A	N/A	N/A	N/A	N/A	N/A	N/A	N/A

*Color(s) available: BS = Black case with stainless steel doors, WW = White on white, CC = Bisque, AA = Almond on almond, BB = Black on black, WH = White with black handles and dispenser.

CM = Color-Matched indicates color of handle(s) matches exterior.

†If installed against a wall, allow clearance of 11-1/4" on freezer side to remove ice bin.

To remove fresh food pans, remove door bins.

Clearances required to remove fresh food full-size pan without disassembling is 10-1/2" on 20/22 cu. ft.;

13-5/8" on 26 cu. ft., and 15-3/4" on 28 cu. ft. For Built-In appearance, allow height space of 69-3/4" on 26 cu. ft. Plus, allow additional space for any necessary leveling adjustments.

ALL MODELS AVAILABLE IN U.S. AND CANADA.



Total volume and shelf area are calculated by the Association of Home Appliance Manufacturers' standards.



Listed by Underwriters Laboratories

See page 158 for warranty information.

Refrigeration

Cooking Products

Microwave Ovens

Dishwashers

Clothes Care

Water Systems

Air Conditioning

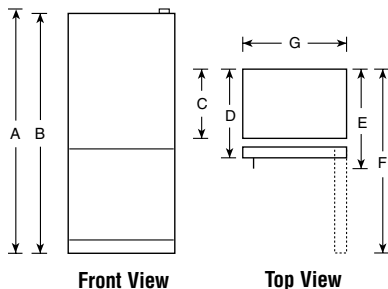
Bottom-Freezer Refrigerators

	GE Profile™				GE
	TCX22PAC	TCS18PAD	TCD18PAD	TCX18PAD	TCX18IAD
Capacity					
Total (cu. ft.)	21.7	17.6	17.6	17.6	17.6
Fresh food (cu. ft.)	15.20	12.9	12.9	12.90	12.90
Freezer (cu. ft.)	6.51	4.7	4.7	4.7	4.7
Shelf area (sq. ft.)	30.11	22.7	22.7	23.0	23.0
Features					
Automatic icemaker	Opt. (UK-3S)	Opt. (IM3)	Opt. (IM3)	Opt. (IM3)	Opt. (IM3)
Ice 'N Easy trays	2	2	2	2	2
Ice tray shelf	●			●	
Ice storage bin	Bucket	Bucket	Bucket	Bucket	●
Cabinet shelves	4 Glass	4 Glass	4 Glass	4 Glass	4 Glass
(adjustable)	4 Split	4 Split	4 Split	4 Split	4 Split
(spill-proof)	4	4	4	4	4
Snack pan	●	●	●	●	●
Vegetable/fruit crisper(s)	2 Adj. Humid.	2 Adj. Humid.	2 Adj. Humid.	2 Adj. Humid.	2 Adj. Humid.
Utility egg bin	●	●	●	●	●
Modular door bins	4 Adj.	4 Adj.	4 Adj.	4 Adj.	4 Adj.
Enclosed door shelf (full-width)	1 Fixed w/ gallon storage	1 Fixed w/ gallon storage	1 Fixed w/ gallon storage	1 Fixed w/ gallon storage	1 Fixed w/ gallon storage
ShelfSaver™	●	●	●	●	●
Dairy compartments	2 Adj. w/ butter dish	1 Clear w/ butter dish	1 Clear w/ butter dish	1 Clear w/ butter dish	1 Clear w/ butter dish
Interior light	●	●	●	●	●
Slide 'n Store™ Freezer Drawer		●	●		
Wire Everwhite freezer storage basket	1 Full-Width Sliding	2 Sliding	2 Sliding	1 Full-Width Sliding	1 Full-Width Sliding
Freezer compartment shelf	1 Full-Width			1 Full-Width	1 Full-Width
Freezer door shelves	2 Full-Width 2 Half-Width			2 Full-Width	2 Full-Width
Freezer interior light	●	●	●	●	
Upfront freezer control	●				
Economical/Quiet					
Cabinet/door insulation	Foam	Foam	Foam	Foam	Foam
Cabinet liner	ABS	Steel	Steel	Steel	Steel
Door liner	HIPS	ABS	ABS	ABS	ABS
Appearance					
Color(s) available*	WW, CC, BB	BS	WW, AA, BB	WW, AA, BB	WW, AA
Door handle(s)	Color-Matched	Tubular Stainless Steel	CM Full-Length	CM Full-Length	CM Full-Length
Textured steel doors and case	●		●	●	●
Door stops	●	●	●	●	●
Reversible doors	●		●	●	●
Adjustable front rollers	●	●	●	●	●
Coil-free back	●	●	●	●	●
Weights & Dimensions					
Height to top of hinge (in.) A	68-3/8	66-1/4	66-1/4	66-1/4	66-1/4
Height to top of case (in.) B	67-5/8	65-3/4	65-3/4	65-3/4	65-3/4
Case depth without door (in.) C	28-3/4	26-1/4	26-1/4	26-1/4	26-1/4
Case depth less door handle (in.) D	32-3/4	28	28	28	28
Case depth with door handle (in.) E	35-1/8	29-1/8	29-1/8	29-1/8	29-1/8
Depth with door open 90° (in.) F	64-1/2	57-1/4	57-1/4	57-1/4	57-1/4
Width (in.) G	32-5/8	31	31	31	31
Side clearance for 90° door open	2-1/8	1-3/4	1-3/4	1-3/4	1-3/4
Air clearances	Each side (in.)	0	0	0	0
	Top (in.)	1	1	1	1
	Back (in.)	1	0**	0**	0**
Approx. shipping weight (lbs.)	329	267	257	247	247

*Color(s) available: BS = Black case with stainless steel doors, WW = White on white, CC = Bisque, AA = Almond on almond, BB = Black on black, CM = Color-Matched.

**Metal cover on back, when touching wall, gives 1-1/4" clearance.

Bottom-Freezer Refrigerators



See page 158 for warranty information.

Top-Freezer No-Frost Refrigerators

	GE Profile™					GE "Z" Series		GE "J" Series		
	TBX25PRB	TBX25PAB	TBX22PRB	TBX22PAB TBX22PIB	TBX19PAB	TBX22ZAB	TBX19ZAB	TBX24JAB	TBX21JAB TBX21JIB	TBX18JAB TBX18JIB
Capacity										
Total (cu. ft.)	24.7	24.6	21.6	21.6	19.0	21.6	19.0	23.6	20.6	18.2
Fresh food (cu. ft.)	17.12	17.12	14.96	14.96	13.61	14.96	13.61	16.35	14.25	13.04
Freezer (cu. ft.)	7.60	7.50	6.55	6.65	5.40	6.65	5.40	7.2	6.30	5.13
Shelf area (sq. ft.)	27.0	31.5	23.9	28.3 27.5	24.8	26.0	24.8	29.2	26.0 25.2	24.4 23.5
Features										
LightTouch™ dispenser	Cubes, Crushed Ice & Water		Cubes, Crushed Ice & Water							
Automatic factory-installed icemaker	●	Opt. (IM3)	●	Opt. (IM3) ●	Opt. (IM3)	Opt. (IM3)	Opt. (IM3)	Opt. (IM3)	Opt. (IM3) ●	Opt. (IM3) ●
Ice 'N Easy trays		4		4 —	4	2	2	2	2 —	2 —
Ice storage bin	Dispenser	Pan w/handle	Dispenser	Pan w/handle Ice Bucket ●	Pan w/handle		Utility- Opaque		Utility- Opaque Ice Bucket ●	Utility- Opaque Ice Bucket ●
High ice shelf		●		●	●	●	●	●	●	●
Cabinet shelves	4 Glass	4 Glass	4 Glass	4 Glass	4 Glass	4 Glass	4 Glass	4 Glass	4 Glass	4 Glass
(adjustable)	4 Split	4 Split	4 Split	4 Split	4 Split	4 Split	4 Split	4 Split	4 Split	4 Split
(slide-out)	3	3	3	3	3					
(spill-proof)	4	4	4	4	4	4	4	4	4	4
Quick Store™ bin	●	●	●	●	●					
Quick Serve™ storage dishes	On Door	On Door	On Door	On Door	On Door					
ShelfSaver™	●	●	●	●	●					
Snack pan						●	●	●	●	●
Vegetable/fruit crisper(s)	2 Adj. Humid.	2 Adj. Humid.	2 Adj. Humid.	2 Adj. Humid.	2 Adj. Humid.	2 Adj. Humid.	2 Adj. Humid.	2 Adj. Humid.	2 Adj. Humid.	2 Adj. Humid.
Meat pan	Adj. Temp.	Adj. Temp.	Adj. Temp.	Adj. Temp.	Adj. Temp.					
Modular gallon door bins	4 (3 Adj. w/ gal. storage)	4 (3 Adj. w/ gal. storage)	4 (3 Adj. w/ gal. storage)	4 (3 Adj. w/ gal. storage)	5 (4 Adj. w/ gal. storage)	5 (4 Adj.)	3 (1 Adj.)			
Door shelves								3 (2 w/gal. storage)	3 (2 encap. w/gal. storage)	2 w/gal. storage
Slide-out, slide-over pans	●	●	●	●	●	●	●	●	●	●
Snuggler™ Clip(s)	2	2	2	2	2	2	2	2	2	2
Dairy compartment	●	●	●	●	●	●	●	●	●	●
Butter dish	●	●	●	●	●	●	●	●	●	●
Utility (egg) bin	●	●	●	●	●	●	●	●	●	●
Freezer interior light(s)	●	●	●	●	●					
Freezer compartment shelf(s) (wire Everwhite)	1 Adj.	1 F/W (2-Pos.)	1 Adj.	1 F/W (2-Pos.)	1 F/W (2-Pos.)	1 F/W (2-Pos.)	1 F/W (2-Pos.)	1 F/W (2-Pos.)*	1 F/W (2-Pos.)*	1 F/W (2-Pos.)*
Freezer door shelves	2 (1 Adj.) Bins	3 (1 Adj.) Bins	2 (1 Adj.) Bins	3 (1 Adj.) Bins	3 (1 Adj.) Bins	3 (1 Adj.) Bins	3 (1 Adj.) Bins	2	2	2
Freezer adjustable trivet	●	●	●	●	●					
Cross-brace and retainer	●	●	●	●	●	●	●	●	●	●
Adjustable rollers	●	●	●	●	●	●	●	●	●	●
Economical/Quiet										
Quiet Package I	●	●	●	●	●	●	●	●	●	●
Energy Saver Switch	●	●	●	●	●	●	●	●	●	●
Cabinet/door insulation	Foam	Foam	Foam	Foam	Foam	Foam	Foam	Foam	Foam	Foam
Cabinet/door liner	ABS	ABS	ABS	ABS	ABS	ABS	ABS	ABS	ABS	ABS
Appearance										
Color(s) available**	WW, CC, AA, BB	WW, CC, AA, BB	WW, CC, AA, BB	WW, CC, AA, BB	WW, CC, AA, BB	WW, AA	WW, AA	WW, CC, AA	WW, CC, AA, BB	WW, CC, AA, BB
Deluxe door handle(s)	CM/Premium	CM/Premium	CM/Premium	CM/Premium	CM/Premium	CM	CM	CM	CM	CM
Customer installed handles	●	●	●	●	●	●	●	●	●	●
Textured steel doors & case	●	●	●	●	●	●	●	●	●	●
Reversible doors	●	●	●	●	●	●	●	●	●	●
Right or left door opening	●	●	●	●	●					
Weights & Dimensions										
Height to top of hinge (in.) A	67-7/8	67-7/8	66-3/4	66-3/4	64-3/4	66-3/4	64-3/4	67-7/8	66-7/8	64-3/4
Height to top of case (in.) B	67-1/8	67-1/8	66-1/4	66-1/4	64	66-1/4	64	67-1/8	66-1/4	64
Height to mid freezer (in.) C	55-5/8	55-5/8	55	55	53-3/4	55	53-3/4	55-5/8	55	53-3/4
Case depth without door (in.) D	27-3/4	27-3/4	27-5/8	27-5/8	27-3/4	27-5/8	27-3/4	27-3/4	27-5/8	27-3/4
Case depth less door handle (in.) E	31-1/4	31-1/4	31-1/8	31-1/8	31	31-1/8	31	30	30	30
Case depth with door handle (in.) F	33	33	33	33	32-3/4	33	32-3/4	31-3/4	31-3/4	31-3/4
Depth with door open 90° (in.) G	63-3/8	63-3/8	59-7/8	59-7/8	58-1/8	59-7/8	58-1/8	63-3/8	60	58-1/8
Width (in.) H	34-5/8	34-5/8	31-1/4	31-1/4	29-3/8	31-1/8	29-3/8	34-5/8	31-1/4	29-3/8
Width with door open 90° less door handle (in.) J	36	36	32-1/2	32-1/2	30-3/4	32-1/2	30-3/4	34-5/8	31-1/4	29-3/8
Air clearances	Each side (in.)									
Top (in.)	1	1	1	1	1	1	1	1	1	1
Back (in.)	1	1	1	1	1	1	1	1	1	1
Approx. shipping weight (lbs.)	300	266	300	270	236	270	230	266	231	213
Accessories										
Aluminum trim	N/A	TMK25LL† TMK25KT††	N/A	N/A	N/A	N/A	N/A	N/A	N/A	N/A
Black acrylic panel	N/A	TMP25K	N/A	N/A	N/A	TBP21XB	TBP18XB	N/A	TBP21XB	TBP18XB

*Shelf needs to stay in lower position to support ice bucket and icemaker.

**Color(s) available: WW = White on white, CC = Bisque, AA = Almond on almond, BB = Black on black, CM = Color-Matched.

†For use on left-hand door swing.

††For use on right-hand door swing.

Note: Clearance dimensions for any 19 cu. ft., 22 cu. ft., and 25 cu. ft. refrigerators with extra-deep doors, need an additional 3-5/8" for 90° door opening.



Note: All Top-Freezer No-Frost Right-Hand Refrigerator Doors: As you face the front of the refrigerator, the handle is on your left and the hinges are on your right.
All Top-Freezer No-Frost Left-Hand Refrigerator Doors: As you face the front of the refrigerator, the handle is on your right and the hinges are on your left.

Refrigeration

Cooking Products

Microwave Ovens

Dishwashers

Clothes Care

Water Systems

Air Conditioning

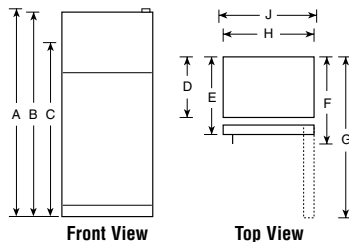
Top-Freezer No-Frost Refrigerators

	GE "I" Series				GE "H" Series	GE "D" Series	GE "T" Series	GE "B" Series
	TBX21IAB	TBX21IIB	TBX18IAD	TBX18IID	TBX18HAC	TBX21DAC	TBX18TAB	TBX18BAD
Capacity								
Total (cu. ft.)	20.6	20.6	18.2	18.2	17.6	20.6	17.6	17.6
Fresh food (cu. ft.)	14.25	14.25	13.04	13.04	13.62	14.25	13.6	13.62
Freezer (cu. ft.)	6.30	6.30	5.13	5.13	4.01	6.30	4.00	4.01
Shelf area (sq. ft.)	26.0	26.0	23.1	23.1	20.3	26.0	24.8	20.3
Features								
Automatic factory-installed icemaker	Opt. (IM3)	●	Opt. (IM3)	●	Opt. (IM3)	Opt. (IM3)	Opt. (IM3)	Opt. (IM3)
Ice 'N Easy trays	2		2		2	2	2	2
Ice storage bin	Utility-Opaque	Ice Bucket	Utility-Opaque	Ice Bucket	Utility-Opaque	Utility-Opaque		Utility
High ice shelf	●		●			●		
Cabinet shelves (adjustable)	3 Glass	3 Glass	3 Glass	3 Glass	3 Glass	3 Wire Everwhite	3 Wire Everwhite	1 Split Glass, 1 Split Wire, 1 F/W Wire Everwhite
Snack pan	2 Split, 1 F/W	2 Split, 1 F/W	2 Split, 1 F/W	2 Split, 1 F/W	2 Split, 1 F/W	2 Split, 1 F/W	2 Split, 1 F/W	2 Split
Vegetable/fruit crisper(s)	●	●	●	●	●	●	●	●
Fixed door shelves	2 High Clear	2 High Clear	2 High Clear	2 High Clear	2 Clear	2 High Clear	2 High Clear	2
Dairy compartment	3 (2 w/gal. storage)	3 (2 w/gal. storage)	2 w/gal. storage	2 w/gal. storage	2 w/gal. storage	3 (2 w/gal. storage)	2 w/gal. storage	2 w/tall bottle storage
Butter dish	●	●	●	●	●	●	1	●
Freezer compartment shelf(s) (wire Everwhite)	1 F/W (2-Pos.)	1 F/W (2-Pos.)	1 F/W (2-Pos.)	1 F/W (2-Pos.)	1 Step Shelf	1 F/W (2-Pos.)	1 Step Shelf	1 Step Shelf
Freezer door shelves	2	2	2	2	2	2	2	2
Cross-brace and retainer	●	●	●	●	●	●	●	●
Adjustable rollers	●	●	●	●	●	●	●	●
Economical/Quiet								
Energy Saver Switch	●	●	●	●	●			
Cabinet/door insulation	Foam	Foam	Foam	Foam	Foam	Foam	Foam	Foam
Cabinet liner	ABS	ABS	ABS	ABS	ABS	ABS	ABS	ABS
Door liner	ABS	ABS	ABS	ABS	ABS	ABS	ABS	ABS
Appearance								
Color(s) available*	WW, CC, AA	WW, CC, AA	WW, CC, AA	WW, CC, AA	WW, AA	WW, AA	WW, AA	WW, AA
Deluxe door handle(s)	Color-Matched	Color-Matched	Color-Matched	Color-Matched	Color-Matched	Color-Matched	Color-Matched	Color-Matched
Customer installed handles	●	●	●	●	●	●	●	●
Textured steel doors & case	●	●	●	●	●	●	●	●
Reversible doors**	●	●	●	●	●	●	●	●
Weights & Dimensions								
Height to top of hinge (in.) A	66-3/4	66-3/4	64-3/4	64-3/4	67-3/8	66-7/8	67-3/8	67-3/8
Height to top of case (in.) B	66-1/4	66-1/4	64	64	66-7/8	66-1/4	66-7/8	66-7/8
Height to mid freezer (in.) C	55	55	53-3/4	53-3/4	56-7/8	55	56-7/8	56-7/8
Case depth without door (in.) D	27-5/8	27-5/8	27-3/4	27-3/4	26-1/4	27-5/8	26-1/4	26-1/4
Case depth less door handle (in.) E	30	30	30	30	30	30	30	30
Case depth with door handle (in.) F	31-3/4	31-3/4	31-3/4	31-3/4	31-7/8	31-3/4	31-7/8	31-7/8
Depth with door open 90° (in.) G	60	60	58-1/8	58-1/8	55-7/8	60	55-3/4	55-7/8
Width (in.) H	31-1/4	31-1/4	29-3/8	29-3/8	28	31-1/4	28	28
Width with door open 90° less door handle (in.) J	31-1/4	31-1/4	29-3/8	29-3/8	28-7/8	31-1/4	28-7/8	28-7/8
Air clearances Each side (in.)	3/4	3/4	3/4	3/4	3/4	3/4	3/4	3/4
Top (in.)	1	1	1	1	1	1	1	1
Back (in.)	1	1	1	1	1	1	1	1
Approx. shipping weight. (lbs.)	231	231	220	211	196	231	196	230
Accessories								
Black acrylic panel	N/A	N/A	TBP18XB	TBP18XB	N/A	N/A	N/A	N/A
Magnetic black acrylic panel kit	TBP21XB	TBP21XB	TBP18XB	TBP18XB	N/A	N/A	N/A	N/A

*Color(s) available: WW = White on white, CC = Bisque, AA = Almond on almond, WH = White, AD = Almond.

**Order as right-hand door opening with option to change to left-hand door opening.

Top-Freezer No-Frost Refrigerator



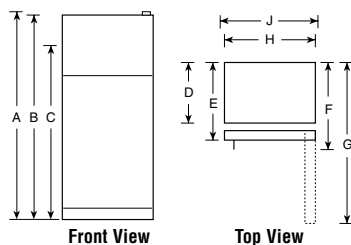
Note: All Top-Freezer No-Frost Right-Hand Refrigerator Doors: As you face the front of the refrigerator, the handle is on your left and the hinges are on your right.
All Top-Freezer No-Frost Left-Hand Refrigerator Doors: As you face the front of the refrigerator, the handle is on your right and the hinges are on your left.

Top-Freezer No-Frost Refrigerators

	GE "S" Series						
	TBX18SAB TBX18SIB	TBX16SAB TBX16SIB	TBX16SYB	TBX14SAB TBX14SIB	TBX14SYB	TBX12SAX	TBX10SNB
Capacity							
Total (cu. ft.)	18.2	16.4	16.4	14.4	14.4	12.1	9.8
Fresh food (cu. ft.)	13.04	12.58	12.58	10.58	10.58	9.1	7.5
Freezer (cu. ft.)	5.13	3.86	3.86	3.86	3.86	3.00	2.33
Shelf area (sq. ft.)	23.1	$\frac{17.5}{16.7}$	17.5	$\frac{17.2}{16.4}$	17.2	13.6	12.1
Features							
Automatic factory-installed icemaker	Opt. (IM3) ●	Opt. (IM3) ●	Opt. (IM3)	Opt. (IM3) ●	Opt. (IM3)	Opt. (IM3)	
Ice 'N Easy trays	$\frac{2}{-}$	$\frac{2}{-}$	2	$\frac{2}{-}$	2	2	2
Ice storage bin	Utility-WH Bucket-WH	●		Bucket ●			
High ice shelf	-	●	●	●	●		
Cabinet shelves (adjustable)	3 Wire Everwhite 2 Split, 1 F/W	2 Wire Everwhite 2 F/W	2 Wire Everwhite 2 F/W	2 Wire Everwhite 2 F/W	2 Wire Everwhite 2 F/W	2 Wire Everwhite 2 F/W	2 Wire Everwhite 2 F/W
Snack pan	●						
Vegetable/fruit crisper(s)	2	2	2	2	2	Divided	1 F/W
Fixed door shelves	2 w/gal. storage	2-tall bottle storage	2-tall bottle storage	2-tall bottle storage	2-tall bottle storage	2-1/2	4
Dairy compartment	●	●	●	●	●	●	
Freezer compartment shelf(s) (wire Everwhite)	1 F/W (2-Pos.)						1 F/W
Freezer door shelves	2	2	2	2	2	2	1
Cross-brace and retainer	●	●	●	●	●	●	●
Coil-free back	●	●	●	●	●	●	●
Adjustable rollers	●	4 Fixed 2 Level legs	4 Fixed 2 Level legs	4 Fixed 2 Level legs	4 Fixed 2 Level legs	Level legs	Level legs
Economical/Quiet							
Cabinet/door insulation	Foam	Foam	Foam	Foam	Foam	Foam	Foam
Cabinet liner	ABS	ABS	ABS	ABS	ABS	ABS	Plastic
Door liner	ABS	ABS	ABS	ABS	ABS	ABS	ABS
Appearance							
Color(s) available*	WW, AA	WW, AA	WW, AA	WW, AA	WW, AA	WH, AD	WH
Deluxe door handle(s)	Color-Matched ●	Color-Matched	Color-Matched Recessed	Color-Matched	Color-Matched Recessed	Black	White Recessed
Customer installed handles	-						
Textured steel doors & case	●	●	●	●	●	●	●
Rounded doors							●
Reversible doors**	●	●	●	●	●	●	●
Right or left door opening available	●	●	●	●	●	●	●
Weights & Dimensions							
Height to top of hinge (in.) A	64-3/4	67-3/8	67-3/8	61-3/4	61-3/4	60-5/8	59-1/8
Height to top of case (in.) B	64	66-7/8	66-7/8	61-1/4	61-1/4	60-1/4	58-5/8
Height to mid freezer (in.) C	53-3/4	56-7/8	56-7/8	51-1/8	51-1/8	51-1/4	
Case depth without door (in.) D	27-3/4	26-1/4	26-1/4	25-3/8	25-3/8	27-7/16	25
Case depth less door handle (in.) E	30	28-3/4	28-3/4	27-7/8	27-7/8	29-11/16	26-3/8
Case depth with door handle (in.) F	31-3/4	30-5/8	28-3/4	29-3/4	29-3/4	31-7/16	28
Depth with door open 90° (in.) G	58-1/8	55-1/4	55-1/4	54-3/8	54-3/8	51-9/16	48-3/4
Width (in.) H	29-3/8	28	28	28	28	23-3/8	23-5/8
Width with door open 90° less door handle (in.) J	29-3/8	28-1/4	28-1/4	28-1/4	28-1/4	23-9/16	24-1/8
Air clearances Each side (in.)	3/4	3/4	3/4	3/4	3/4	3/4	3/4
Top (in.)	1	1	1	1	1	2	1
Back (in.)	1	1	1	1	1	3/4	1
Approx. shipping weight (lbs.)	230	$\frac{190}{195}$	188	174	168	152	157
Accessories							
Black acrylic panel	TBP18XB	N/A	N/A	N/A	N/A	N/A	N/A

*Color(s) available: WW = White on white, AA = Almond on almond, WH = White, AD = Almond.
**Order as right-hand door opening with option to change to left-hand door opening.

Top-Freezer No-Frost Refrigerator



Refrigeration

Cooking Products

Microwave Ovens

Dishwashers

Clothes Care

Water Systems

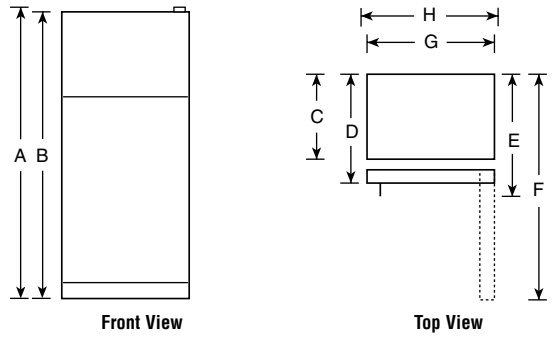
Air Conditioning

Cycle and Manual Defrost Refrigerators

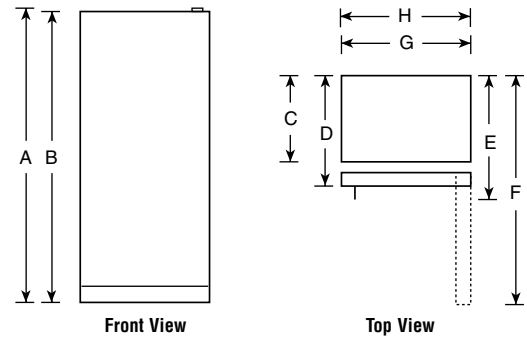
	GE		
	Cycle Defrost		Manual Defrost
	TDX11SNY	TDX9SNY	TAX10SNX
Capacity			
Total (cu. ft.)	11.0	9.0	9.6
Fresh food (cu. ft.)	8.6	6.6	8.64
Freezer (cu. ft.)	2.4	2.4	.94*
Shelf area (sq. ft.)	15.5	15.2	9.88
Features			
Ice 'N Easy trays	2 Mini	2 Mini	2
Freezer chiller tray with baffle			●
Cabinet shelves Wire Everwhite	3 Adj.	2 Adj.	2 Adj.
Vegetable/fruit crisper	1 F/W	1 F/W	1 F/W
Door shelves	2 Modules, 2 Stationary Shelves	4 Modules, 1 Stationary Shelf	3 F/W
Tall bottle storage on door	●	●	●
Dairy compartment(s)	2	2	1
Egg storage bin			Pockets
Freezer compartment shelf(s)	1 F/W	1 F/W	
Economical/Quiet			
Cabinet/door insulation	Foam	Foam	Foam
Cabinet/door liner	Plastic	Plastic	Plastic
Appearance			
Color(s) available	White	White	White
Door handle(s)	White	White	Black
Reversible doors	●	●	
Right or left door opening			●
Weights & Dimensions			
Height to top of hinge (in.) A	63-1/2	55	58
Height to top of case (in.) B	63	54-1/2	57-9/16
Case depth without door (in.) C	20-1/2	20-1/2	21-3/8
Case depth with door less handle (in.) D	23-1/4	23-1/4	23-1/2
Case depth with door handle (in.) E	24-1/2	24-3/4	24-13/16
Depth with door open 90° less door handle (in.) F	46	46	44-13/16
Width (in.) G	23-1/4	23-1/2	23
Width w/door open 90° less door handle (in.) H	23-3/4	23-3/4	23-1/2
Air clearances Each side (in.)	1/2	1/2	5/8
Top (in.)	2	2	2
Back (in.)	2	2	1
Approx. shipping weight (lbs.)	139	126	135

*Compartment for short-term storage of frozen food. The frozen food compartment of this refrigerator will make ice, and pre-frozen foods can be stored for about **two weeks**. It will not effectively freeze fresh foods or provide long-term storage for meats, poultry, or fish.

Cycle Defrost Two Door Refrigerator



Manual Defrost Single Door Refrigerator

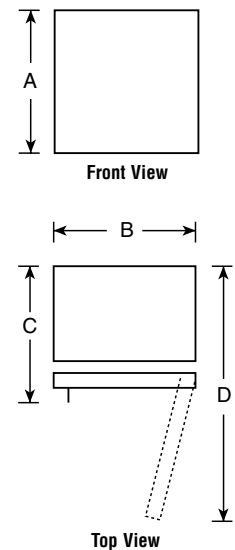


Spacemaker™ Compact Refrigerators

	GE				
	TAX6SNXWH/WN	TAX4SNCWH	TAX4BNCBL	TAX2SNCWH	TAX2BNCBL
Capacity					
Total (cu. ft.)	6.0	4.3	4.3	1.8	1.8
Fresh food (cu. ft.)	5.51	3.26	3.26	1.51	1.51
Freezer (cu. ft.)	.49*	.42*	.42*	.21*	.21*
Shelf area (sq. ft.)	8.8	6.0	6.0	2.9	2.9
Features					
Ice 'N Easy trays	2 Mini	2 Mini	1 Mini	1 Mini	1 Mini
Manual defrost	●	●	●	●	●
Cabinet shelves	2 (Adj.)	3 F/W wire	2 F/W wire	1 Plastic	1 Plastic
Vegetable/fruit pan			●		
Door shelves	3 F/W	2 F/W, 1 H/W	2-1/2	1-1/2	1-1/2
Utility bin				Tray	Tray
Economical/Quiet					
Cabinet/door insulation	Foam	Foam	Foam	Foam	Foam
Cabinet/door liner	Polystyrene	Polystyrene	Polystyrene	Polystyrene	Polystyrene
Appearance					
Color(s) available	White, Woodgrain	White	Black	White	Black
Door handles	White Visor Black Visor	Color-Matched Recessed	Color-Matched Recessed	Color-Matched Recessed	Color-Matched Recessed
Rounded doors		●	●	●	●
Reversible door(s)	●	●	●		
Weights & Dimensions					
Height (in.) A	34-1/4	32-7/8	32-7/8	19-7/8	19-7/8
Width (in.) B	23-5/8	20-1/16	20-1/16	18-7/8	18-7/8
Depth with handle (in.) C	25-7/8	21-7/8	21-7/8	19-1/4	19-1/4
Depth with door open 90° (in.) D	47-1/2	39-1/4	39-1/4	37	37
Air clearances Each side (in.)	0†	1/2	1/2	1/2	1/2
Top (in.)	1-1/2	2	2	2	2
Back (in.)	3/4	2	2	2	2
Approx. shipping weight (lbs.)	88	77	77	51	51
Accessories					
Custom trim and black panel	TK6 Optional				

*Compartment for short-term storage of frozen food. The frozen food compartment of this refrigerator will make ice, and pre-frozen foods can be stored for about **two weeks**. It will not effectively freeze fresh foods or provide long-term storage for meats, poultry, or fish.
† If installed against a wall, allow 1-1/4" on hinge side to allow for proper door opening.

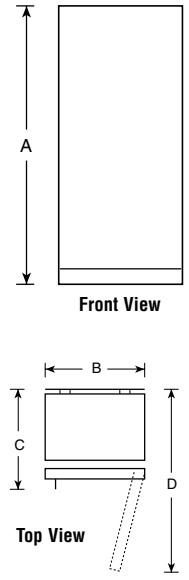
Spacemaker™ Refrigerator



Today's GE refrigerators use about 50% as much energy as refrigerator models made in 1980.

Upright Freezers

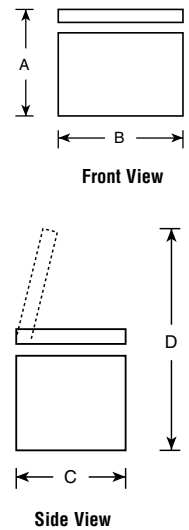
	GE											
	Frost-Free			Manual Defrost								
	FUF20DA	FUF17DA	FUF14DA	FUM21DA	FUM21SA	FUM17DA	FUM17SA	FUM14DA	FUM14SA	FUM12SA	FUM9SA	FUM5SA
Capacity												
Total volume (cu. ft.)	20.3	16.7	13.7	20.6	20.6	17.1	17.1	14.1	14.1	11.6	8.7	5.0
Shelf area (sq. ft.)	23.9	18.4	14.3	25.3	21.9	19.1	16.2	17.9	15.0	13.0	10.1	6.0
Features												
Audible temperature alarm	●	●	●	●	●	●	●	●	●	●	●	●
Temperature control	Adjustable	Adjustable	Adjustable	Adjustable	Adjustable	Adjustable	Adjustable	Adjustable	Adjustable	Adjustable	Adjustable	Adjustable
Limited food loss warranty	●	●	●	●	●	●	●	●	●	●	●	●
Door shelves (total)	6	5	5	6	6	5	5	5	5	4	5	3
Defrost water drain	●	●	●	●	●	●	●	●	●	●	●	●
Power "ON" light	●	●	●	●	●	●	●	●	●	●	●	●
Interior light	●	●	●	●	●	●	●	●	●	●	●	●
Lock	●	●	●	●	●	●	●	●	●	●	●	●
Cabinet shelves (total)	5 (3 Adj.)	4 (3 Adj.)	3 (2 Adj.)	4 (1 Adj.)	4	4 (1 Adj.)	3	3 (1 Adj.)	3	3	4	2
Refrigerated shelves				3	4	3	3	2	3	3	4	2
Bulk storage basket	Slide-Out	Slide-Out	Slide-Out	Slide-Out		Slide-Out		Slide-Out				
Drop-front storage					●		●		●	●		
Economical/Quiet												
Defrost	Frost-Free	Frost-Free	Frost-Free	Manual	Manual	Manual	Manual	Manual	Manual	Manual	Manual	Manual
Magnetic door gasket	●	●	●	●	●	●	●	●	●	●	●	●
Cabinet liner	Baked enamel-on-steel	Baked enamel-on-steel	Baked enamel-on-steel	Baked enamel-on-steel	Baked enamel-on-steel	Baked enamel-on-steel	Baked enamel-on-steel	Baked enamel-on-steel	Baked enamel-on-steel	Baked enamel-on-steel	Polystyrene	Polystyrene
Wrap-around condenser	●	●	●	●	●	●	●	●	●	●	●	●
Appearance												
Color available	White	White	White	White	White	White	White	White	White	White	White	White
Door handle	●	●	●	●	Recessed	●	Recessed	●	Recessed	Recessed	●	Recessed
Textured steel case and door	●	●	●	●	●	●	●	●	●	●	●	●
Rounded door												●
Weights & Dimensions												
Height (in.) A	70	64-1/2	59	70	70	64-1/2	64-1/2	59	59	54-1/2	53-3/8	33-1/2
Width (in.) B	32	32	28	32	32	32	32	28	28	28	21-1/2	21-3/8
Depth (in.) C	28-1/2	26-1/2	28-1/2	28-1/2	28-1/2	26-1/2	26-1/2	28-1/2	28-1/2	26-1/2	26-3/8	26-1/8
Depth with door open 90° (in.) D	59-1/8	57-1/8	55-1/8	59-1/8	59-1/8	57-1/8	57-1/8	55-1/8	55-1/8	53-1/8	49-1/8	45-3/4
Air clearances Each side (in.)	3	3	3	3	3	3	3	3	3	3	1	1
Top (in.)	3	3	3	3	3	3	3	3	3	3	4	4
Back (in.)	3	3	3	3	3	3	3	3	3	3	4	4
Approx. shipping weight (lbs.)	231	213	173	231	231	211	211	173	173	168	120	80



NOTE: For proper installation of Upright Freezers (except FUM9SA and FUM5SA), allow clearance of 3" on each side; 3" or 4" on top; and 3" on back.

Chest Freezers

	GE								
	FCM25DA	FCM20DA	FCM15DA	FCM15SA	FCM9DA	FCM9SA	FCM7DA	FCM5SA	
Capacity									
Total volume (cu. ft.)	24.9	19.7	14.8	14.8	8.8	8.8	7.2	5.0	
Features									
Manual defrost	●	●	●	●	●	●	●	●	●
Audible temperature alarm	●	●	●	●	●	●	●	●	●
Temperature control	Adjustable	Adjustable	Adjustable	Adjustable	Adjustable	Adjustable	Adjustable	Adjustable	Adjustable
Wrap-around condenser	●	●	●	●	●	●	●	●	●
Wrap-around evaporator	●	●	●	●	●	●	●	●	●
Limited food loss warranty	●	●	●	●	●	●	●	●	●
Defrost water drain	●	●	●	●	●	●	●	●	●
Power "ON" light	●	●	●	●	●	●	●	●	●
Interior light	●	●	●	●	●	●	●	●	●
Lock	●	●	●	●	●	●	●	●	●
Lift-out and sliding bulk storage basket(s)	3	2	2	1	1		1		
Economical/Quiet									
Insulation (cabinet and lid)—Foam	●	●	●	●	●	●	●	●	●
Cabinet liner	Steel Epoxy-Coated	Steel Epoxy-Coated	Steel Epoxy-Coated	Steel Epoxy-Coated	Steel Epoxy-Coated	Steel Epoxy-Coated	Steel Epoxy-Coated	Steel Epoxy-Coated	Steel Epoxy-Coated
Appearance									
Color available	White	White	White	White	White	White	White	White	White
Handle	●	●	●	●	Recessed	●	Recessed	●	Recessed
Textured steel case and lid	●	●	●	●	●	●	●	●	●
Weights & Dimensions									
Height (in.) A	35	35	35	35	34-1/4	34-1/4	34-1/4	34-1/4	34-1/4
Width (in.) B	73-1/4	61-1/4	48	48	41	41	35	27	
Depth (in.) C	29-1/2	29-1/2	29-1/2	29-1/2	23-1/4	23-1/4	23-1/4	23-1/2	
Height with lid open (in.) D	60-3/4	59-1/2	60-3/4	60-3/4	55-1/4	55-1/4	55-1/4	55-1/4	
Air clearances Each side (in.)	3	3	3	3	3	3	3	3	
Back (in.)	3	3	3	3	3	3	3	3	
Approx. shipping weight (lbs.)	229	201	160	160	137	137	120	105	



NOTE: For proper installation of Chest Freezers, allow clearance of 3" on each side and 3" on back.

See page 158 for warranty information.

Refrigeration

Cooking Products

Microwave Ovens

Dishwashers

Clothes Care

Water Systems

Air Conditioning

Create a Custom Look for Your GE Refrigerator

Decide from a choice of GE optional Panels and Trim to create a distinctive appearance for your new refrigerator. Pre-cut panels in Black, White, Almond or Stainless Steel provide an exciting way to express your individual taste and preference while complementing your kitchen.

GE Profile Performance Series™ and GE Profile™ CustomStyle™ Refrigerators

Acrylic and Stainless Steel Panels

Model No.	Black Acrylic Panels	White Acrylic Panels	Bisque Acrylic Panels	Almond Acrylic Panels	Stainless Steel Panels
TPX21BRD	TKP21LS	TKPW21LS			TKP21RXSS
TPX24BRD	TKP24RBBB	TKP24RBWW		TKP24RBAA	TKP24RBSS
TPX24BPD	TKP24RBBB	TKP24RBWW	TKP24RBCC		TKP24RBSS
TPX24BID	TKP24IBBB	TKP24IBWW			TKP24IBSS

Note: For custom panel cut-out dimensions refer to Installation Instructions, Pub. No. 49-6477-1.

Collar Trim

Model No.	Black Collar Trim	White Collar Trim	Bisque Collar Trim	Almond Collar Trim	Stainless Steel Collar Trim
TPX21BRD	TRMBISBB	TRMBISWW			
TPX24BRD	TRMBISBB	TRMBISWW		TRMBISAA	
TPX24BPD	TRMBISBB	TRMBISWW	TRMBISCC		
TPX24BID	TRMBISBB	TRMBISWW			
TPX24BPD					TRMBISSS
TPX24BID					TRMBISSS

Note: Refer to Installation Instructions, Pub. No. 31-45227-1, for kitchen cabinet dimensions before ordering cabinets or collar trim.

GE Profile™ Performance CustomStyle™ Top-Freezer No-Frost Refrigerators

Acrylic Panels and Trim

Model No.	Black Acrylic Panels	White Acrylic Panels	Stainless Steel Panels	Black Collar Trim	White Collar Trim	Stainless Steel Trim
TNX22BAC	TKP22ACBB	TKP22ACWW	TKP22ACSS	TRMBISBB	TRMBISWW	TRMBISSS
TNX22BRC	TKP22RCBB	TKP22RCWW	TKP22RCSS	TRMBISBB	TRMBISWW	TRMBISSS

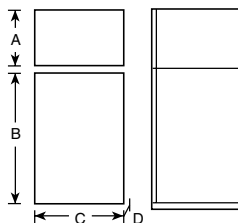
GE Profile™ Top-Freezer No-Frost Refrigerators (Non-dispenser model)

Acrylic Panels and Aluminum Trim

Model No.	Black Panels	Aluminum Trim Kit	Custom Panel Dimensions (Inches)				Panel Depth
			A	B	C	D	
TBX25PAB	TMP25K	TMK25LL*	21-27/32	40-3/32	33-21/32	1/4	
TBX25PAB	TMP25K	TMK25K**	21-27/32	40-3/32	33-21/32	1/4	

Note: Black handles included with Aluminum trim kit.
*For use on left-hand door opening.
**For use on right-hand door opening.

GE Profile™ Model:
TBX25PAB

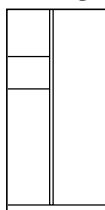


Quality GE Side-By-Side Refrigerators

Acrylic Panels with Trim

Model No.	Black Acrylic Panels	Aluminum Trim
TFX20JRB	TFP20RB	
TFX22ZPD	TFP22RB	
TFX26ZPD	TFP26RB	

Note: Handles **not** included with trim kit.



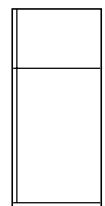
GE Models:
TFX20JRB, TFX22ZPD,
TFX26ZPD

Quality GE Top-Freezer No-Frost Refrigerators

Acrylic Panels with Trim

Model No.	Black Panels
TBX21JAB/IAB	TBP21XB
TBX18SAB/SIB/JAB/IAD/IID	TBP18XB

Note: Black handle inserts included with trim kit.



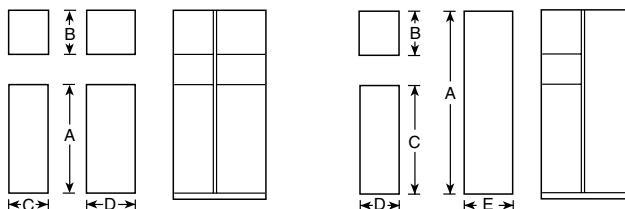
GE Models:
TBX21JAB/IAB
TBX18SAB/SIB/JAB/IAD/IID

GE Profile Performance Series™ and GE Profile™ Free-Standing Side-By-Side Refrigerators

Acrylic Panels and Aluminum Trim

Model No.	Black Panels	Stainless Steel Panels	Aluminum Trim	Custom Panel Insert Cut-Out Dimensions (Inches)				
				A	B	C	D	E
TFX30PBD		TKP30FBSS	TK30FBAL	33-21/32	16-29/32	13-5/32	17-31/32	
TFX30PPD		TKP30RBSS	TK30RBAL	65-1/8	16-29/32	33-21/32	13-5/32	17-31/32
TFX28PBD	TKP28FB		TK28FBAL	33-21/32	16-29/32	13-5/32	17-31/32	
TFX26PRD	TKP26RB		TK26RBAL	63-1/4	16-7/8	31-25/32	12-15/32	18-5/32
TFX26PPD	TKP26RB		TK26RBAL	63-1/4	16-7/8	31-25/32	12-15/32	18-5/32

Note: Handles **not** included with trim kit.



GE Profile Performance™ and GE Profile™ Models: TFX30PBD, TFX28PBD

GE Profile Performance™ and GE Profile™ Models: TFX30PPD, TFX26PRD, TFX26PPD

Acrylic Panels with Trim

Model No.	Black Acrylic Panels
TFS26PPD	TFP26RB
TFS26PRD	TFP26RB
TFX22PPD	TFP22RB
TFX22PRD	TFP22RB

Note: Handles **not** included with trim kit.

Quality GE Compact Refrigerator

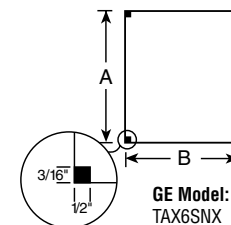
TK6 Trim

- Panel is black painted aluminum
- Trim is black plastic that covers entire side of door
- 1/4" wood can also be used with the trim

Order your own custom door panel to match cabinetry or other decor.
—Maximum panel thickness 1/4"
—Minimum panel thickness 1/8"
Notch all four corners of panel

Custom Trim

Model No.	Black Trim No.	Custom Panel Insert Cut-Out Dimensions (Inches)	
		A	B
TAX6SNX	TK6	29	22-3/4



GE Model:
TAX6SNX

Advantium™ Wall Ovens

Advantium™ Above-The-Cooktop Ovens

	GE Profile Performance Series™
	SCB2001CSS SCB2000CWW SCB2000CCC SCB2000CAA SCB2000CBB
Features	
Stainless Steel Oven Interior	●
Family Size Oven	●
Oven Controls:	
Electronic Scrolling Display	●
Over 100 Preprogrammed Menu Items	●
Repeat Last	●
Help Mode	●
Demo Mode	●
Interior Oven Light	●
Beeper Sound Level Control	●
Variable Scroll Speed	●
Custom Recipe Saver	●
Cooking Complete Reminder	●
Child Lock-Out	●
Frameless Glass Oven Door with Window	●
Microwave Oven Features:	
Sensor	●
Defrost - Auto/Time	●
Microwave Power Output Watts	950
Appearance	
	Stainless Steel White on white Bisque Almond on almond Black on black
Color appearance	
Weights & Dimensions	
Approx. Shipping Weight (lbs.)	101
Overall Oven Interior Dimensions (in inches)	
Height	8-13/32
Width	18-29/32
Depth	13-19/32
Overall Dimensions (in inches)	
Exterior Height	21-7/8
Exterior Width	29-25/32
Exterior Depth (not including handle)	15-27/32
Oven Cabinet Width Required (in inches)	30
Cutout Height	21
Cutout Width	28-1/2
Cutout Depth	19
Power/Ratings	
Amps @240V/208V	30
Accessories	
Cookbook	●
Cooking Guide	●
Black Metal Grill Tray	●
Black Metal Tray	●
White Ceramic Tray	●
Recirculating Charcoal Filter Kit (Optional)	JX81A
Warranty	
Full One-Year In-Home Warranty*	●
Full Ten-Year Lamp Warranty*	●
Limited Ten-Year Magnetron Warranty*	●

Wall oven trim kits

- SC20WW-White
- SC20CC-Bisque
- SC20AA-Almond
- SC20BB-Black

	GE Profile Performance Series™
	SCA2001BSS SCA2000BWW SCA2000BCC SCA2000BAA SCA2000BBB
Features	
Stainless Steel Oven Interior	●
Family Size Oven	●
Oven Controls:	
Electronic Scrolling Display	●
Over 100 Preprogrammed Menu Items	●
Repeat Last	●
Help Mode	●
Demo Mode	●
Interior Oven Light	●
Beeper Sound Level Control	●
Variable Scroll Speed	●
Custom Recipe Saver	●
Cooking Complete Reminder	●
Child Lock-Out	●
Two-Speed High-Capacity Exhaust Fan	●
Full-View Cooktop Lighting	●
Programmable Night Light	●
Frameless Glass Oven Door with Window	●
Microwave Oven Features:	
Sensor	●
Defrost - Auto/Time	●
Microwave Power Output Watts	950
Appearance	
	Stainless Steel White on white Bisque Almond on almond Black on black
Color appearance	
Weights & Dimensions	
Approx. Shipping Weight (lbs.)	101
Overall Oven Interior Dimensions (in inches)	
Height	8-13/32
Width	18-29/32
Depth	13-19/32
Overall Dimensions (in inches)	
Exterior Height (front)	15-19/32
Exterior Height (rear)	16-3/32
Exterior Width	29-7/8
Exterior Depth (not including handle)	14-13/16
Power/Ratings	
Amps @240V/208V	30
Accessories	
Cookbook	●
Cooking Guide	●
Black Metal Grill Tray	●
Black Metal Tray	●
White Ceramic Tray	●
Recirculating Charcoal Filter Kit (Optional)	JX81A
Warranty	
Full One-Year In-Home Warranty*	●
Full Ten-Year Lamp Warranty*	●
Limited Ten-Year Magnetron Warranty*	●

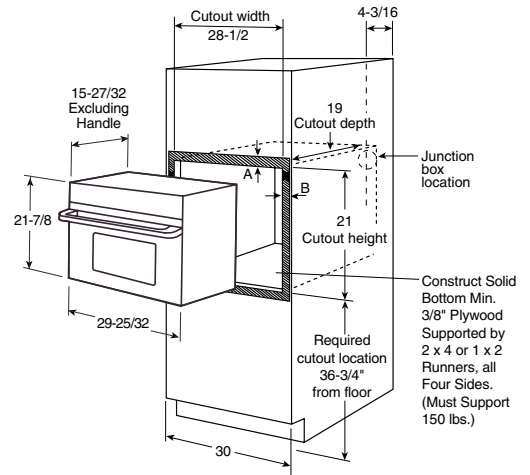
Filler panel kits

- JX40WH-White
- JX40CT-Bisque
- JX40AL-Almond
- JX41-Black

Decorative panel kit

- JX22SS-Stainless steel

Advantium Wall Oven Dimensions and Cabinet Installation (in inches)



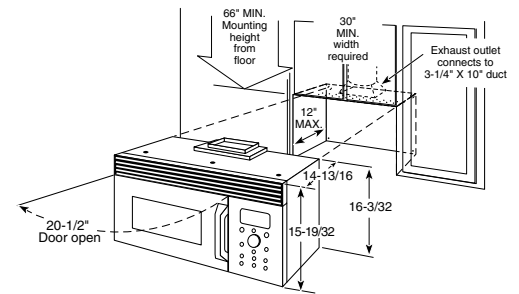
A=Allow 1" overlap of oven over top and bottom edges of cutout.
B=Allow 11-1/16"-3/4" for overlap of oven over side edges of cutout.

Note: Cabinets installed adjacent to wall ovens must have an adhesion spec of at least 194° F temperature rating.

Most 30" Wall Cabinets can be used with this unit.

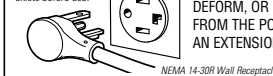
Note: 2" minimum between cutouts when installed above warming drawer or single wall oven.

Advantium Above-The-Cooktop Oven Dimensions (in inches)



IMPORTANT: PLEASE READ CAREFULLY. FOR PERSONAL SAFETY, THIS APPLIANCE MUST BE PROPERLY GROUNDED TO AVOID SEVERE OR FATAL SHOCK.

Insure proper ground exists before use. DO NOT UNDER ANY CIRCUMSTANCES, CUT, DEFORM, OR REMOVE ANY OF THE PRONGS FROM THE POWER CORD. DO NOT USE WITH AN EXTENSION CORD.



30" Built-In Double Ovens

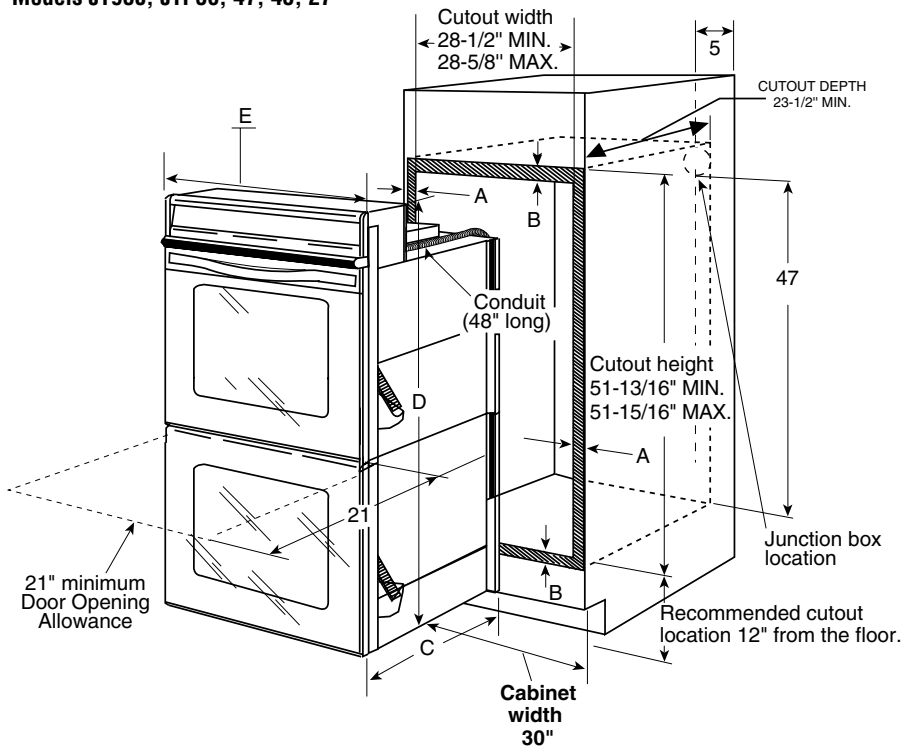
	GE Profile Performance Series™	GE Profile™	GE			GE Profile™	GE
	Convection Double Ovens		Double Ovens			Microwave Double Ovens	
	JT950SA JT950WA JT950CA JT950AA JT950BA	JTP56WA JTP56AA JTP56BA	JTP47SC	JTP45WA JTP45BA	JTP27WA JTP27BA	JTP95WA JTP95BA	JTP85WA JTP85BA
Features							
Upper	Convection/ Self-Clean	Convection/ Self-Clean	Self-Clean	Self-Clean	Self-Clean	Microwave	Microwave
Oven interior Lower	Thermal/ Self-Clean	Thermal/ Self-Clean	Self-Clean	Self-Clean	Standard	Self-Clean	Self-Clean
Cleaning time	Variable	Variable	Variable	Variable	Variable (upper)	Variable (lower)	Variable (lower)
Automatic self-clean oven door lock	●	●	●	●	Upper	Lower	Lower
Self-clean oven w/Delay Clean option	●	●	●	●	Upper	Lower	Lower
TrueTemp™ System	●	●	●	●	Upper	Lower	Lower
CleanDesign oven interior	Upper	Upper				Lower	
Variable broil/Six-pass broil element	●	●	●	●	●	Lower	Lower
SmartSet Controls	●	●	●	●	Upper	●	●
Proofing	●						
Convection conversion	Upper	Upper				Lower	
Convection Bake	Upper	Upper				Lower	
Convection Roast	Upper	Upper				Lower	
Automatic meat thermometer	Upper	Upper				Lower	
Temperature display	●	●	●	●	Upper	●	●
Start pad	●	●	●	●	Upper	●	●
Delay Bake option w/Cook & Hold	●	●	●	●	Upper	Lower	Lower
C° or F° programmable	●	●	●	●	Upper	Lower	Lower
Audible preheat signal	●	●	●	●	Upper	Lower	Lower
Auto oven shut-off w/override	●	●	●	●	Upper	Lower	Lower
Electronic clock and kitchen timer	●	●	●	●	●	●	●
Control lock capability	●	●	●	●	Upper	Lower	Lower
Oven light pad	●	●	●	●	●	Lower	Lower
Microwave Oven Features:							
Microwave cooking timer						99-Min./99-Sec.	99-Min./99-Sec.
Microwave power levels						10	10
Sensor functions						6	3
Electronic MWO touch controls						●	●
Microwave oven cavity (cu. ft.)						1.6	1.6
MWO power output watts						1000	1000
Turntable						●	●
Embossed rack positions	7 Upper/6 Lower	7 Upper/6 Lower	6 Upper/Lower	6 Upper/Lower	6 Upper/Lower	7 Lower	6 Lower
Roasting rack	Upper	Upper				Lower	
Upper	3	3	2	2	2		
Oven racks* Lower	2	2	2	2	2	3	2
Gourmet Shelf	●						
Broiler pan with grid	●	●	●	●	●	Lower	Lower
Appearance							
Color appearance**	SS WW CC AA BB	WW AA BB	SS	WW BB	WW BB	WW BB	WW BB
Frameless glass oven doors	Stainless White Bisque Almond Black	White Almond Black	Stainless	White Black	White Black	White Black	White Black
Big View windows	●	●	●	●	●	Lower	Lower
Lift-off oven doors	●	●	●	●	●	Lower	Lower
Designer-style handles	Integrated	Integrated	Integrated	Sure Grip	Sure Grip	Integrated	Sure Grip
Flush appearance installation	●	●	●	●	●	●	●
Weights & Dimensions							
Approx. shipping wt. (lbs.)	260	260	260	260	260	177	177
Oven cabinet width required (in.)	30	30	30	30	30	30	30
Overall dimensions (WxHxD in inches)	← 30 x 52-15/16 x 23-1/2 →					← 29-3/4 x 43-1/2 x 23-1/2 →	
Overall oven interior dimensions (WxHxD in inches)	← 24 x 17-3/8 x 15-3/4 →		← 24 x 17-3/8 x 17-19/32 →			← 17-1/4 x 11-1/2 x 16-1/4 →	
Lower	← 24 x 17-3/8 x 17-19/32 →					← 24 x 17-3/8 x 15-3/4 →	
Power/Ratings							
KW rating @ 240V	7.2	7.2	7.2	7.2	8.0	6.4	6.4
208V	5.4	5.4	5.4	5.4	6.0	4.8	4.8
Amps @ 240V	40	40	40	40	40	30	30
208V	30	30	30	30	35	30	30
Convection wattage	2500	2500				2500	
Broiler/bake wattage	3600/3400	3600/3400	3600/3400	3600/3400	3600/3400	3600/3400	3600/3400

*Additional racks available.

**SS = Stainless Steel, WW = White on white, CC = Bisque, AA = Almond on almond, BB = Black on black.

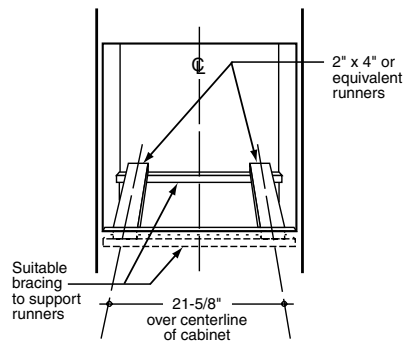
30" Built-In Double Ovens (continued)

30" Built-In Double Oven Dimensions (in inches) Models JT950, JTP56, 47, 45, 27



MOST 30" WALL CABINETS CAN BE USED WITH THIS UNIT
THE OPENING BETWEEN THE INSIDE WALLS MUST BE AT LEAST 28-1/2" WIDE

Recommended for solid bottom installation

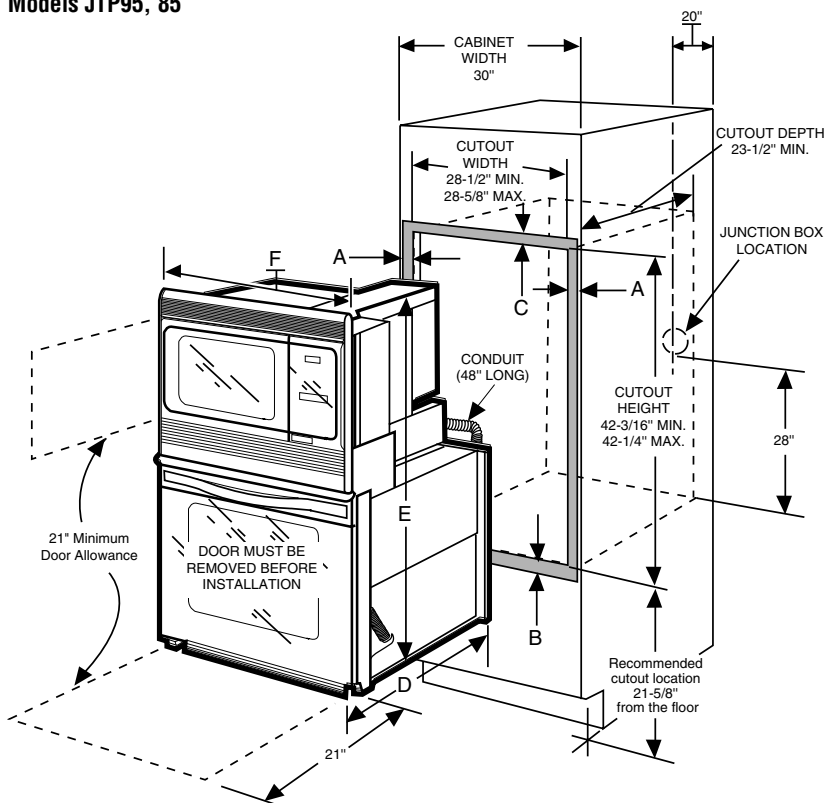


(Must support 275 LBS.)

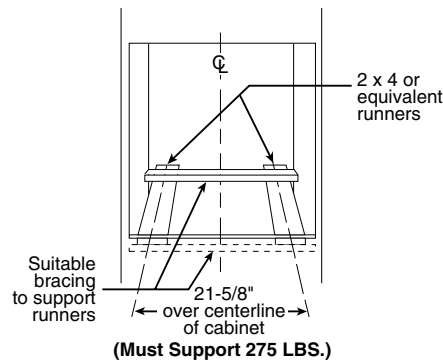
Cabinet	30"
A – Overlap of Oven Over Side Edges of Cutout	11/16" – 3/4"
B – Overlap of Oven at Top and Bottom of Cutout	1"
Oven	
C – Overall Depth	23-1/2"
D – Overall Height	52-15/16"
E – Overall Width	30"

Note: Cabinets installed adjacent to wall ovens must have an adhesion spec of at least 194° F temperature rating.

30" Built-In Microwave Double Oven Dimensions (in inches) Models JTP95, 85



MOST 30" WALL CABINETS CAN BE USED WITH THIS UNIT
THE OPENING BETWEEN THE INSIDE WALLS MUST BE AT LEAST 28-1/2" WIDE



Cabinet	30"
A – Overlap of Oven Over Side Edges of Cutout	11/16"
B – Overlap of Oven at Bottom of Cutout	1"
C – Overlap of Oven at Top of Cutout	1/2"
Oven	
D – Overall Depth	23-1/2"
E – Overall Height	43-1/2"
F – Overall Width	29-3/4"

Note: Cabinets installed adjacent to wall ovens must have an adhesion spec of at least 194° F temperature rating.



Installation Information: Before installing, consult installation instructions [Pub. No. 31-10198 (JTP95/85); Pub. No. 31-10125 (JT950, JTP56/45/27)] packed with product for current dimensional data.

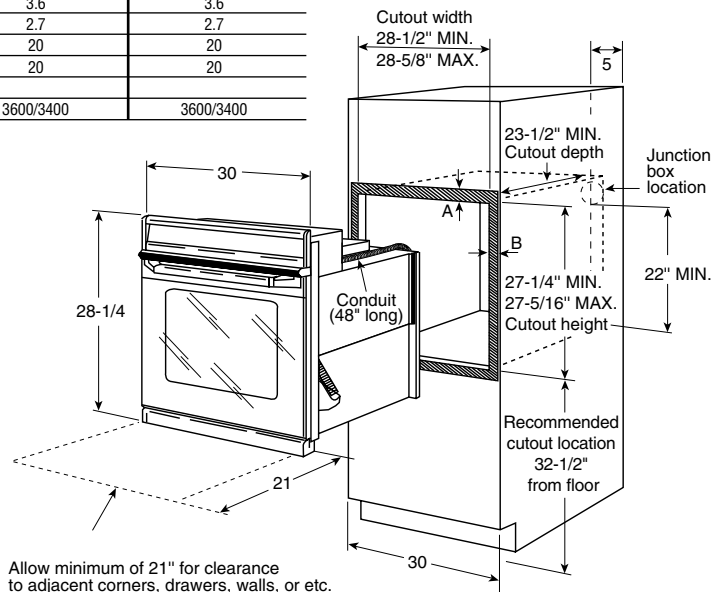
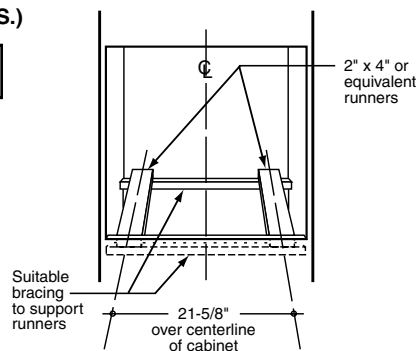
30" Built-In Single Ovens

Features	GE Profile Performance Series™	GE Profile™	GE	
	Convection Single Ovens		Single Ovens	
	JT910SA JT910WA JT910CA JT910AA JT910BA	JTP18WA JTP18AA JTP18BA	JTP17SC	JTP15WA JTP15AA JTP15BA
Oven interior	Convection/Self-Clean	Convection/Self-Clean	Self-Clean	Self-Clean
Cleaning time	Variable	Variable	Variable	Variable
Automatic self-clean oven door lock	•	•	•	•
Self-clean oven w/Delay Clean option	•	•	•	•
TrueTemp™ System	•	•	•	•
Variable broil/Six-pass broil element	•	•	•	•
SmartSet Controls	•	•	•	•
Proofing	•	•	•	•
Convection conversion	•	•	•	•
Convection Bake	•	•	•	•
Convection Roast	•	•	•	•
CleanDesign oven interior	•	•	•	•
Automatic meat thermometer	•	•	•	•
Temperature display	•	•	•	•
Start pad	•	•	•	•
Delay Bake option with Cook & Hold	•	•	•	•
C° or F° programmable	•	•	•	•
Audible preheat signal	•	•	•	•
Auto oven shut-off w/override	•	•	•	•
Electronic clock and kitchen timer	•	•	•	•
Control lock capability	•	•	•	•
Oven light pad	•	•	•	•
Oven racks*	3	3	2	2
Gourmet Shelf	•	•	•	•
Embossed rack positions	7	7	6	6
Roasting rack	•	•	•	•
Broiler pan with grid	•	•	•	•
Appearance				
Color appearance**	SS WW CC AA BB	WW AA BB	SS	WW AA BB
Frameless glass oven door	Stainless White Bisque Almond Black	White Almond Black	Stainless	White Almond Black
Big View window	•	•	•	•
Lift-off oven door	•	•	•	•
Designer-style handle	Integrated	Integrated	Integrated	•
Flush appearance installation	•	•	•	•
Undercounter installation	•	•	•	•
Weight & Dimensions				
Approx. shipping weight (lbs.)	135	135	130	130
Oven cabinet width required (in.)	30	30	30	30
Overall dimensions (WxHxD in inches)	30 x 28-1/4 x 23-1/2			
Overall oven interior (WxHxD in inches)	24 x 17-3/8 x 15-3/4		24 x 17-3/8 x 17-19/32	
Power/Ratings				
KW rating @ 240V	3.6	3.6	3.6	3.6
208V	2.7	2.7	2.7	2.7
Amps @ 240V	20	20	20	20
208V	20	20	20	20
Convection wattage	2500	2500	3600/3400	3600/3400
Broiler/bake wattage	3600/3400	3600/3400	3600/3400	3600/3400

*Additional racks available.
 **SS = Stainless Steel, WW = White on white, CC = Bisque, AA = Almond on almond, BB = Black on black.

Recommended for solid bottom installation (Must support 200 LBS.)

Most 30" Wall Cabinets can be used with this unit.



Allow minimum of 21" for clearance to adjacent corners, drawers, walls, or etc.
 A=Allow 1" overlap of oven over top and bottom edges of cutout.
 B=Allow 11/16"-3/4" for overlap of oven over side edges of cutout.

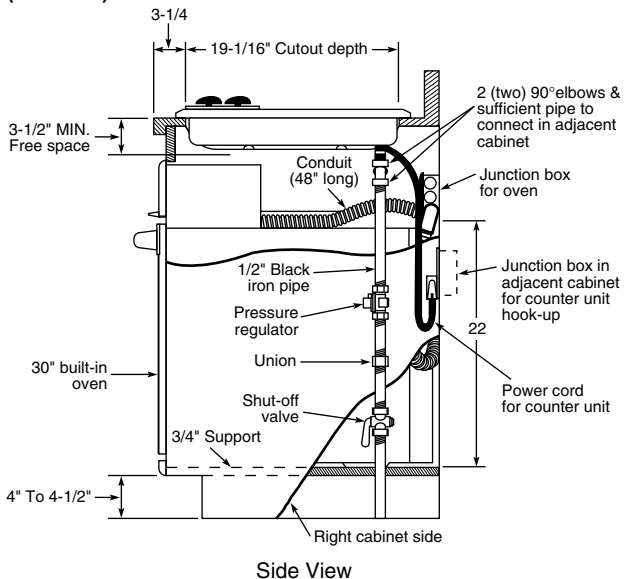
30" Built-In Single Oven Dimensions (in inches) Single Oven Wall-Mount or Cabinet Installation (in inches)

Note: These ovens are *not* approved for stackable or side-by-side installations.

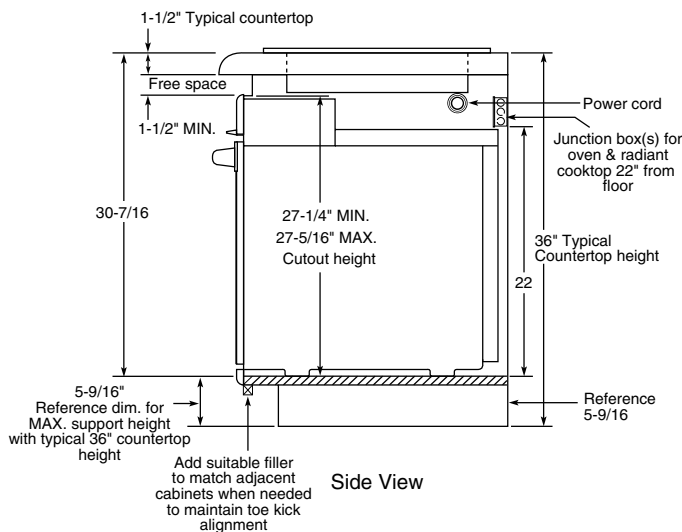
Note: Cabinets installed adjacent to wall ovens must have an adhesion spec of at least 194° F temperature rating.

30" Built-In Single Ovens (continued)

Optional Undercounter Installation With 36" Gas Cooktop (in inches)



Optional Undercounter Installation With 30" CleanDesign or Sealed Burner Gas Cooktop (in inches)



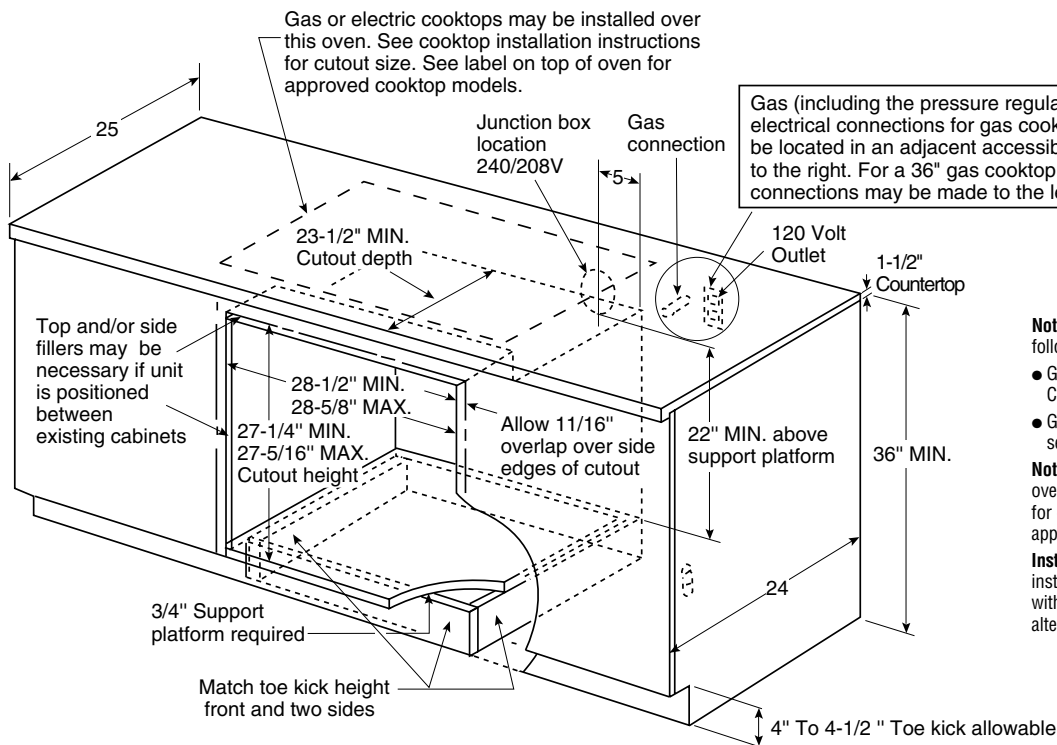
Note: For standard or sealed burner cooktop installation information over the 30" wall oven, refer to 27" wall oven installation, page 181.

This installation is to achieve minimum gap between bottom of countertop and control panel.

Note: For this installation, the bottom trim **will not** be flush with a typical 4" toe kick.

Note: Cabinets installed adjacent to wall ovens must have an adhesion spec of at least 194° F temperature rating.

Undercounter Installation (in inches)



Note: Oven is rated for use only under the following cooktops:

- GE 30" and 36" electric coil and CleanDesign cooktops
- GE 30" and 36" gas standard and sealed burner cooktops

Note: Gas or electric cooktops may be installed over this oven. See cooktop installation instructions for cutout size. See label on back of oven for approved cooktop models.

Installation Information: Before installing, consult installation instructions (Pub. No. 31-10125) packed with product for current dimensional data and for alternate installation options.

Refrigeration

Cooking Products

Microwave Ovens

Dishwashers

Clothes Care

Water Systems

Air Conditioning

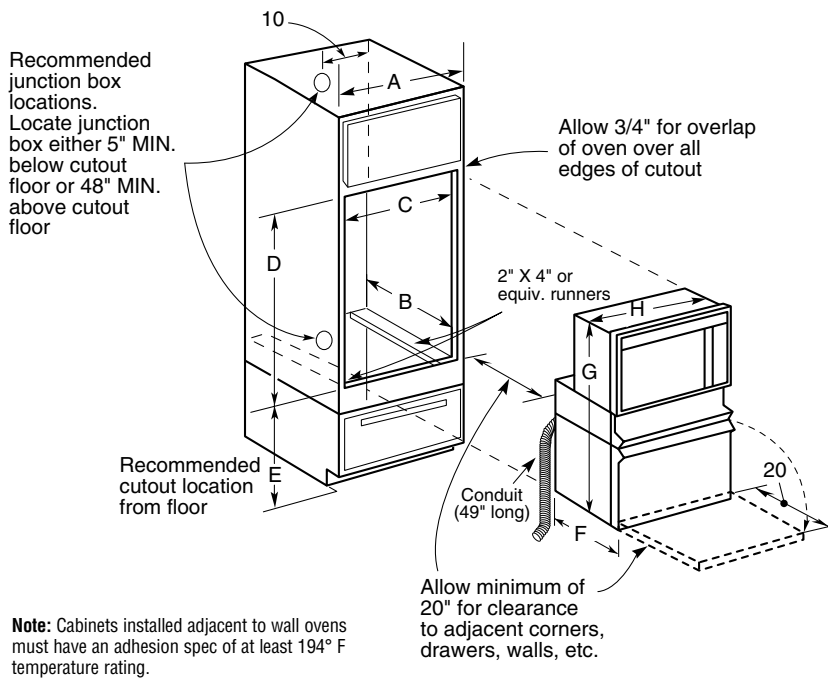
27" and 24" Built-In Double Ovens

	GE	GE Profile Performance Series™	GE Profile™	GE			
	27" Microwave Double Ovens	27" Convection Double Ovens		27" Double Ovens		24" Double Oven	
Oven Features	JKP85WA JKP85BA	JK950WA JK950CA JK950AA JK950BA	JKP56WA JKP56AA JKP56BA	JKP45WA JKP45BA	JKP27WA JKP27BA	JRP24BW	
Features							
Oven interior	Upper Oven Lower Oven	Microwave Self-Clean	Convection/Self-Clean Self-Clean	Convection/Self-Clean Self-Clean	Self-Clean Self-Clean	Self-Clean Standard	Self-Clean Standard
Variable cleaning time	Lower	●	●	●	●	Upper	Upper
Self-clean oven	Lower	●	●	●	●	Upper	Upper
Automatic self-clean oven door lock	Lower	●	●	●	●	Upper	Upper
Delay Clean option	Lower	●	●	●	●	Upper	Upper
TrueTemp™ System	Lower	●	●	●	●	Upper	Upper
Variable broil	Lower	●	●	●	●	Upper	Upper
SmartSet Controls	Lower	●	●	●	●	Upper	Upper
Proofing		Upper					
Convection conversion		●	●				
Convection Bake		●	●				
Convection Roast		●	●				
CleanDesign oven interior		●	●				
Auto. meat thermometer		Upper	Upper				
Temperature display	●	●	●	●	Upper	Upper	
Start pad	●	●	●	●	Upper	Upper	
Cook & Hold	●	●	●	●	Upper	Upper	
Delay Bake option	Lower	●	●	●	Upper	Upper	
C° or F° programmable	Lower	●	●	●	Upper	Upper	
Audible preheat signal	Lower	●	●	●	●	●	
Auto oven shut-off w/override	Lower	●	●	●	Upper	Upper	
Electronic clock and kitchen timer	●	●	●	●	●	●	
Control lock capability	Lower	●	●	●	Upper	Upper	
Oven light pad	●	●	●	●	●	●	
Microwave Oven Features:							
Microwave cooking timer	99-Min./99-Sec.						
Microwave power levels	10						
Sensor functions	3						
Electronic MWO touch controls	●						
Microwave oven cavity (cu. ft.)	1.6						
MWO power output watts	1000						
Turntable	●						
Oven racks	2-Lower	3-Upper 2-Lower	3-Upper 2-Lower	2-Each	2-Each	2-Each	
Gourmet Shelf		●					
Roasting rack		●	●				
Broiler pan with grid	●	●	●	●	●	●	
Appearance							
Color appearance*	WW BB	WW CC AA BB	WW AA BB	WW BB	WW BB	BB	
Frameless glass oven doors	White Black	White Bisque Almond Black	White Almond Black	White Black	White Black	Black	
Oven doors with windows	●	Big View	Big View	Big View	Big View	●	
Lift-off oven door	Lower	●	●	●	●	●	
Designer-style handles	Sure Grip	Integrated	Integrated	Sure Grip	Sure Grip	●	
Flush appearance installation	●	●	●	●	●		
Weight & Dimensions							
Approx. ship. weight (lbs.)	155	162	162	157	157	135	
Oven cabinet width required (in inches)	27	27	27	27	27	24	
Overall dimensions (WxHxD inches)	26-3/4 x 43 x 23-1/2	← 26-5/8 x 51-1/8 x 23-5/8 →				23-3/4 x 48-5/8 x 23-1/8	
Overall oven interior dimensions (WxHxD in inches)	Upper Lower	← 19 x 15 x 16 →		← 19 x 15 x 18 →		17 x 15 x 18-1/2	
		← 19 x 15 x 18 →				17 x 15 x 18-1/2	
Power/Ratings							
KW rating @ 240V	6.5	6.8	6.8	6.8	7.1	7.1	
208V	4.9	5.1	5.1	5.1	5.3	5.3	
Amps @ 240V	30	30	30	30	30	30	
208V	30	30	30	30	30	30	
Convection wattage		2500	2500				
Broiler/bake wattage	3400/2650	3400/2640	3400/2640	3400/2600	3400/2600	3400/2600	

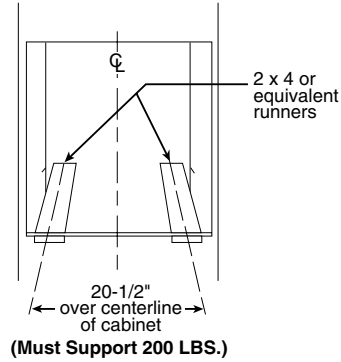
*WW = White on white, CC = Bisque, AA = Almond on almond, BB = Black on black.

27" and 24" Built-In Double Ovens (continued)

27" Built-In Microwave Double Oven Dimensions (in inches) Model JKP85

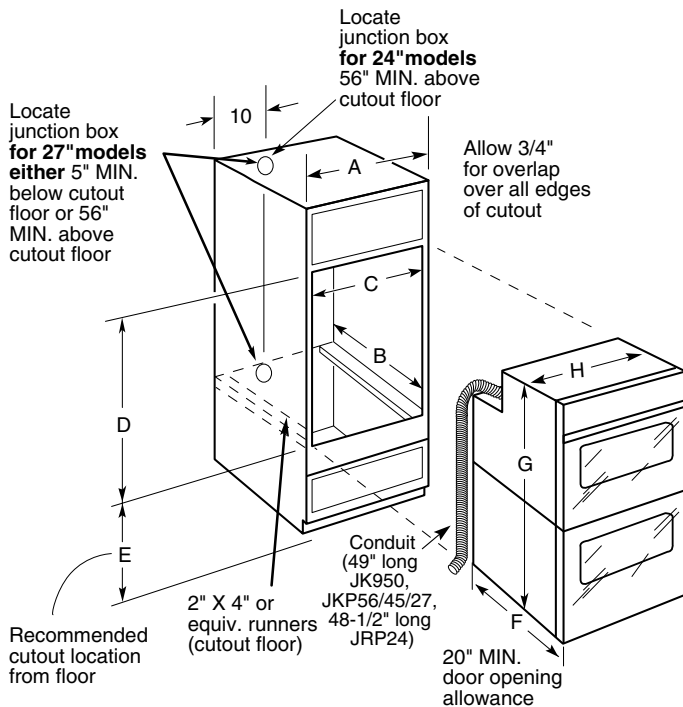


Note: Cabinets installed adjacent to wall ovens must have an adhesion spec of at least 194° F temperature rating.



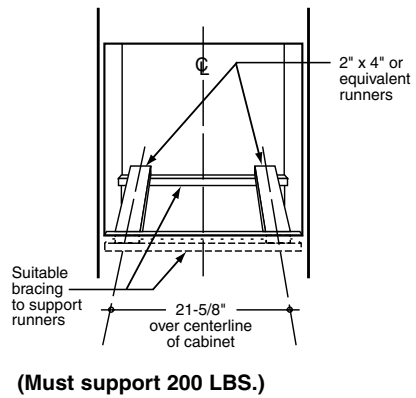
Cabinet	27"
A – Cabinet Width Required	27" min.
B – Minimum Cabinet Depth	23-5/8"
C – Minimum Opening Width	25"
D – Opening Height	41-1/4" max.
E – Minimum Cutout Location from Floor	22"
Oven	
F – Overall Depth	23-1/2"
G – Overall Height	43"
H – Overall Width	26-3/4"

27"/24" Built-In Double Oven Dimensions (in inches)



Note: Cabinets installed adjacent to wall ovens must have an adhesion spec of at least 194° F temperature rating.

Recommended for solid bottom installation



Cabinet	JK950, JKP56/45/27	JRP24
A – Cabinet Width Required	27" min.	24" min.
B – Minimum Cabinet Depth	23-5/8"	23-1/2"
C – Minimum Opening Width	25"	22-1/2"
D – Opening Height	49-11/16" min.	48-1/8" min.
E – Recommended Minimum Cutout Location from Floor	13-1/4"	14"
Oven		
F – Overall Depth	23-5/8"	23-1/8"
G – Overall Height	51-1/8"	48-5/8"
H – Overall Width	26-5/8"	23-3/4"

Installation Information: Before installing, consult installation instructions [Pub. No. 31-10117 (JKP85); [Pub. No. 31-10200 (JK950, JKP56/45/27); Pub. No. 31-10118 (JRP24)] packed with product for current dimensional data.



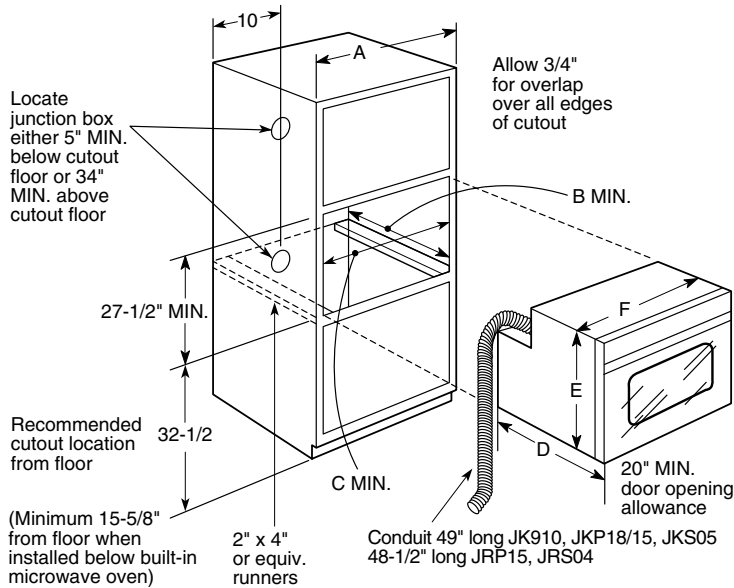
See page 156 for warranty information.

27" and 24" Built-In Single Ovens

Features	GE Profile Performance Series™	GE Profile™	GE			
	27" Convection Single Ovens		27" Single Ovens		24" Single Ovens	
	JK910WA JK910CA JK910AA JK910BA	JKP18WA JKP18AA JKP18BA	JKP15WA JKP15AA JKP15BA	JKS05BA	JRP15WW JRP15BW	JRS04BW
Oven interior	Convection/Self-Clean	Convection/Self-Clean	Self-Clean	Standard	Self-Clean	Standard
Variable cleaning time	●	●	●		●	
Automatic self-clean oven door lock	●	●	●		●	
Self-clean oven w/Delay Clean option	●	●	●		●	
TrueTemp™ System	●	●	●			
Variable broil	●	●	●	●	●	●
SmartSet Controls	●	●	●	●	●	●
Proofing	●					
Convection conversion	●	●				
Conv. Bake/Conv. Roast	●	●				
CleanDesign oven interior	●	●				
Automatic meat thermometer	●	●				
Temperature display	●	●	●	●	●	●
Start pad	●	●	●	●	●	●
Delay Bake option w/Cook & Hold	●	●	●	●	●	●
C° or F° programmable	●	●	●	●	●	●
Audible preheat signal	●	●	●	●	●	●
Auto oven shut-off w/override	●	●	●	●	●	●
Electronic clock and kitchen timer	●	●	●	●	●	●
Control lock capability	●	●	●		●	●
Oven light pad	●	●	●	●	●	●
Oven racks	3	3	2	2	2	2
Gourmet Shelf	●					
Roasting rack	●	●				
Broiler pan with grid	●	●	●	●	●	●
Appearance						
Color appearance*	WW CC AA BB	WW AA BB	WW AA BB	BB	WW BB	BB
Frameless glass oven door	White Bisque Almond Black	White Almond Black	White Almond Black	Black	White Black	Black
Oven door with window	●	●	●	●	●	●
Lift-off oven door	●	●	●	●	●	●
Designer-style handle	Integrated	Integrated	Sure Grip	●	●	●
Flush appearance installation	●	●	●	●		
Undercounter installation	●	●	●	●		
Weight & Dimensions						
Approx. shipping weight (lbs.)	98	98	93	91	114	82
Oven cabinet width required (in.)	27	27	27	27	24	24
Overall dimensions (WxHxD in inches)	← 26-5/8 x 29-1/8 x 23-5/8 →			← 23-3/4 x 28-3/16 x 23-1/8 →		
Overall oven interior dimensions (WxHxD in inches)	← 19 x 15 x 16 →		← 19 x 15 x 18 →		← 17 x 15 x 18-1/2 →	
Power/Ratings						
KW rating @ 240V	3.4	3.4	3.4	3.4	3.4	3.4
208V	2.6	2.6	2.6	2.6	2.6	2.6
Amps @ 240V	20	20	20	20	20	20
208V	20	20	20	20	20	20
Convection wattage	2500	2500				
Broiler/bake wattage	3400/2640	3400/2640	3400/2600	3400/2000	3400/2600	3400/2000

*WW = White on white, CC = Bisque, AA = Almond on almond, BB = Black on black.

27"/24" Built-In Single Oven Dimensions (in inches)

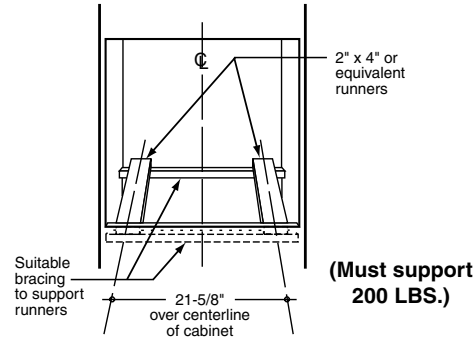


Note: Models JKS05, JRP15 and JRS04 are not approved for stackable or side-by-side installations.

Note: Cabinets installed adjacent to wall ovens must have an adhesion spec of at least 194° F temperature rating.

Note: Models JK910, JKP18 and JKP15 can be installed side-by-side with no less than 30" distance between center to center of each oven.

Recommended for solid bottom installation

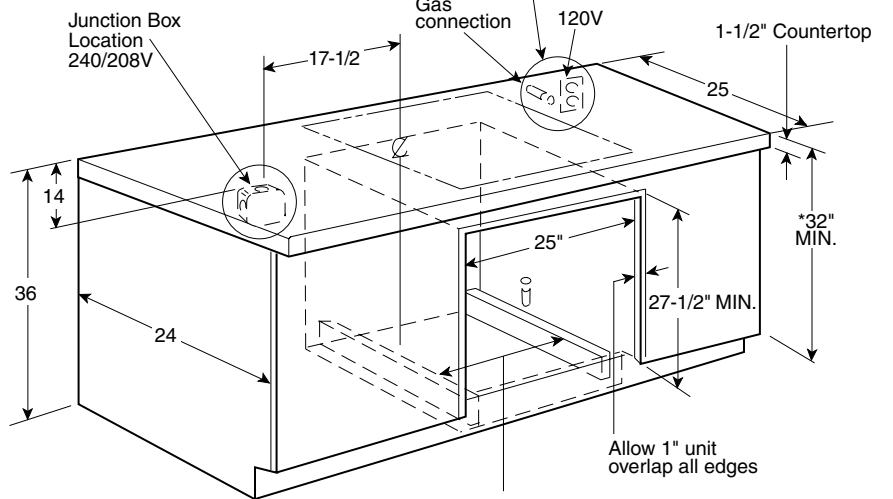


Cabinet	JK910, JKP18/15, JKS05	JRP15, JRS04
A – Cabinet Width Required	27" min.	24" min.
B – Minimum Cabinet Depth	23-5/8"	23-1/2"
C – Minimum Opening Width	25"	22-1/2"
Oven		
D – Overall Depth	23-5/8"	23-1/8"
E – Overall Height	29-1/8"	28-3/16"
F – Overall Width	26-5/8"	23-3/4"

Installation Information: Before installing, consult installation instructions [Pub. No. 31-10200 (JK910, JKP18/15, JKS05); Pub. No. 31-10118 (JRP15, JRS04)] packed with product for current dimensional data.

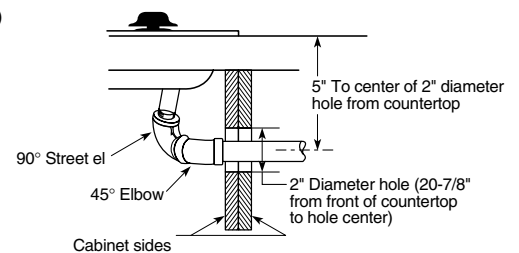
Undercounter Installation Dimensions (in inches) Models JK910, JKP18, 15 and JKS05

Gas or electric cooktops may be installed over this oven. See cooktop installation instructions for cutout size. See label on top of oven for approved cooktop models

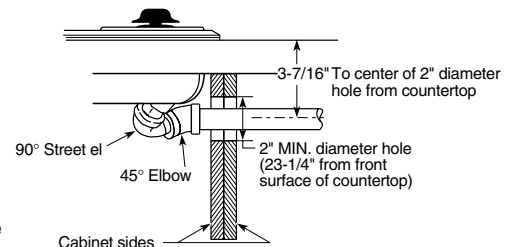


*32" MIN. from top of countertop (1-1/2") to top of runners must be maintained

Sealed Burner Gas Cooktop Installation Dimensions (in inches)



Standard Burner Gas Cooktop Installation Dimensions (in inches)



Note: Cabinets installed adjacent to wall ovens must have an adhesion spec of at least 194° F temperature rating.

Note: Oven is rated for use only under 30" standard or sealed burner gas and 30" CleanDesign and Calrod® electric cooktops.

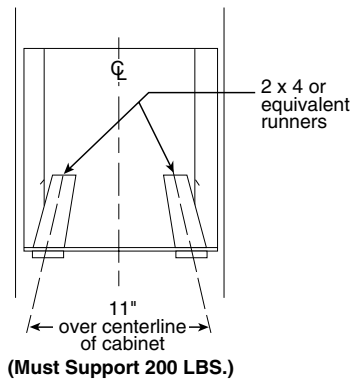
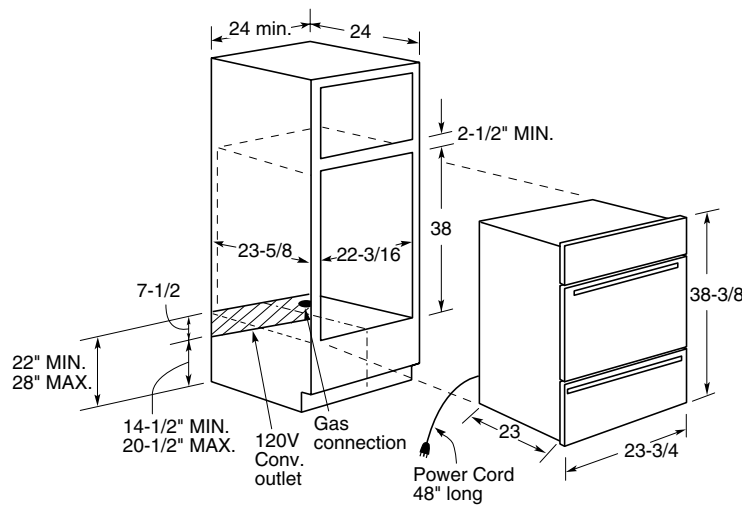
Installation Information: Before installing, consult installation instructions [Pub. No. 31-10200 (JK910, JKP18/15, JKS05)] packed with product for current dimensional data.

24" Built-In Gas Ovens

	GE	
	JGRP17WEW JGRP17BEW	JGRS14BEW
Features		
Oven interior	Self-Clean	Standard
Automatic self-clean oven door lock	●	
Delay Clean option	●	
In-oven broiling	●	
Separate broiler drawer		●
Storage drawer	●	
SmartSet Controls	●	●
Temperature display	●	●
Start pad	●	●
Delay Bake option with Cook & Hold	●	●
C° or F° programmable	●	●
Audible preheat signal	●	●
Auto oven shut-off w/override	●	●
Electronic clock and kitchen timer	●	●
Control lock capability	●	●
Oven light pad	●	●
Oven shelves	2	2
Broiler pan with grid	●	●
Electronic pilotless ignition	●	●
Appearance		
Color appearance*	WW BB	BB
Frameless oven door	White Glass Black Glass	Black Glass
Oven door with window	●	●
Designer-style handle	●	●
Weights & Dimensions		
Approximate shipping weight (lbs.)	144	139
Oven cabinet width required (in inches)	24	24
Overall dimensions (WxHxD in inches)	← 23-3/4 x 38-3/8 x 23 →	
Overall oven interior dimensions (WxHxD in inches)	← 17 x 15 x 18-7/8 →	
Power/Ratings		
Gas oven electrical rating	← 120V, 60Hz, 5A →	
Oven /broiler burners (000's BTU's)	14.5 - Oven 13.0 - Broil	14.5

*WW = White on white, BB = Black on black.
Factory set for Natural Gas.

Built-In Gas Oven Dimensions (in inches)



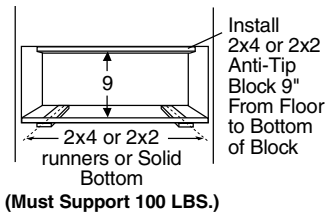
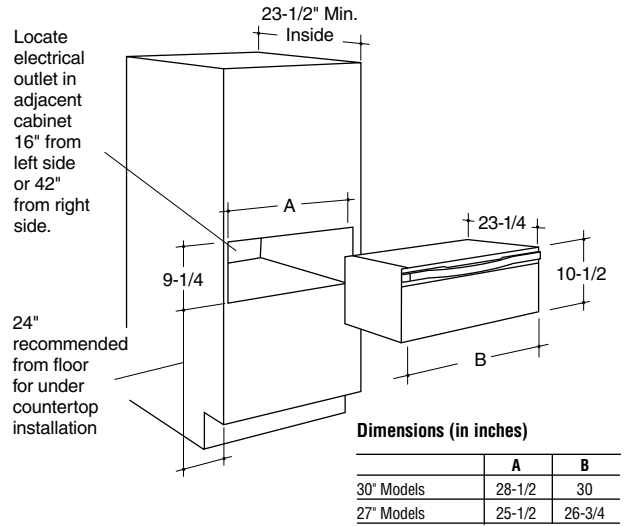
Installation Information:
Before installing, consult installation instructions [Pub. No. 31-10155 (JGRP17); Pub. No. 31-10156 (JGRS14)] packed with product for current dimensional data.

30" and 27" Warming Drawers

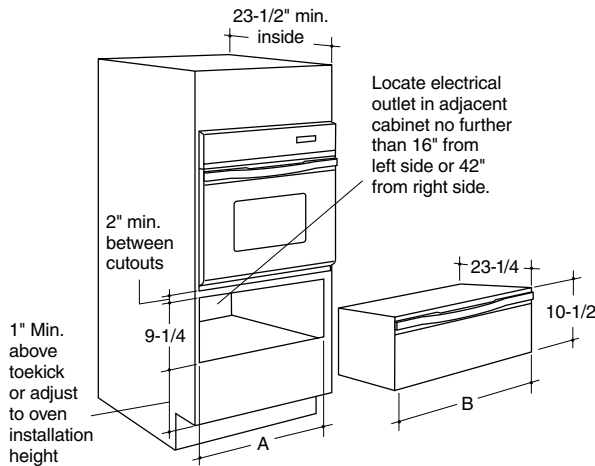
GE Profile Performance Series™		
	30" Warming Drawers	27" Warming Drawers
	JTD910SB JTD910WB JTD910CB JTD910AB JTD910BB	JKD910SB JKD910WB JKD910CB JKD910AB JKD910BB
Features		
Temperature control	•	•
Proof (80°F)	•	•
Low (140°F)	•	•
Medium (170°F)	•	•
High (210°F)	•	•
Humidity control	Crisp/Moist	Crisp/Moist
Hidden control	•	•
ON/OFF switch	•	•
"ON" indicator light	•	•
Half rack	•	•
Full extension drawer glide	•	•
Removable stainless steel pan	•	•
Appearance		
	SS WW CC AA BB	SS WW CC AA BB
Color appearance*		
Frameless drawer front	•	•
Handle style	Integrated Designer-Style	Integrated Designer-Style
Weights & Dimensions		
Interior dimensions (WxHxD in inches)	23-7/8 x 6-1/4 x 22-1/16	20-7/8 x 6-1/4 x 22-1/16
Cutout dimensions (WxHxD in inches)	28-1/2 x 9-1/4 x 23	25-1/2 x 9-1/4 x 23
Approx. shipping weight (lbs.)	65	59
Power/Ratings		
KW rating @ 120V	.45	.45
Amps @ 120V	15	15
Element wattage	450	450
Accessories		
1/4" panel kit capability	ZXD30B	ZXD27B
Pan set (5 pans with lids)	JXPN1	JXPN1

*SS = Stainless Steel, WW = White on white, CC = Bisque, AA = Almond on almond, BB = Black on black.

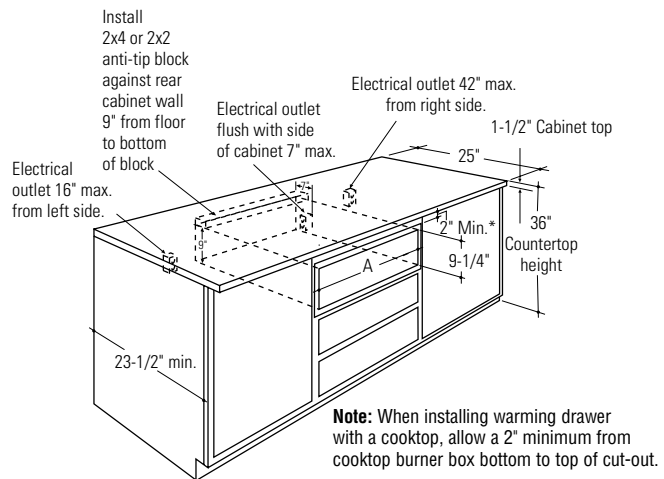
Warming Drawer Dimensions (in inches)



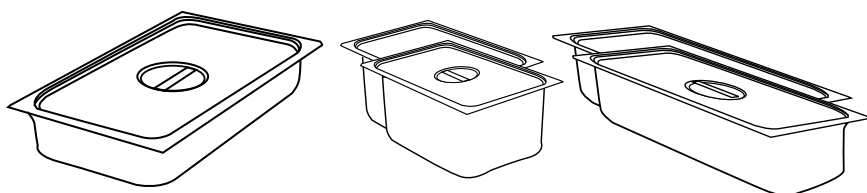
Under Oven Installation (in inches)



Undercounter Installation (in inches)



Pan Set Accessory For Warming Drawer – JXPN1



Five commercial pans with lids (4" deep)

- One large pan (14 quarts)
- Two medium pans (6 quarts each)
- Two small pans (3 quarts each)

Built-In CleanDesign Cooktops

	GE Profile Performance Series™		GE Profile™	GE
	Ribbon		Ribbon	Ribbon
	JP960SA JP960TB JP960WA JP960CA JP960AA JP960BA	JP930SA JP930TB JP930WA JP930CA JP930AA JP930BA	JP350TB JP350WA JP350AA JP350BA	JP340WA JP340BA
Features				
	Patterned Black True White Patterned White Patterned Bisque Patterned Almond Patterned Black	Patterned Black True White Patterned White Patterned Bisque Patterned Almond Patterned Black	True White Patterned White Patterned Almond Patterned Black	Patterned White Patterned Black
Glass-ceramic surface				
Number of elements	5 Ribbon	4 Ribbon	4 Ribbon	4 Ribbon
Dual 6"/9" heating elements	1 Ribbon (2500W)	1 Ribbon (2500W)	1 Ribbon (2500W)	
8" heating elements			2 Ribbon (2000W)	2 Ribbon (2000W)
7" heating element	1 Ribbon (1500W)			
7" heating elements	2 Ribbon (1800W)	2 Ribbon (1800W)		
Bridge element	1 Ribbon (800W)	1 Ribbon (800W)		
Total wattage	4400W	4400W		
6" heating elements	1 Ribbon (1200W)	1 Ribbon (1200W)	1 Ribbon (1200W)	2 Ribbon (1200W)
Hot surface indicator lights	5	4	4	1
Appearance				
	SS WW WW CC AA BB	SS WW WW CC AA BB	WW WW AA BB	WW BB
Color appearance*				
Frameless	●	●	●	●
Weights & Dimensions				
Cooktop width (in inches)	36	30	30	30
Approx. shipping weight (lbs.)	44	38	38	35
Power/Ratings				
KW rating @ 240V	9.6	8.1	7.7	6.4
208V	7.2	6.1	5.8	4.8
Amps @ 240V	40	40	40	30
208V	40	30	30	30

*SS = Stainless Steel, WW = White on white, CC = Bisque, AA = Almond on almond, BB = Black on black.

Installation Information:

Requires a 5" free area between the bottom of the cooktop to any combustible material, i.e., shelving. Free area not required when installing wall oven underneath cooktop. Refer to installation instructions. Requires an 18" minimum from cooktop to adjacent overhead cabinets. Units are furnished with a 48" flexible armored cable.

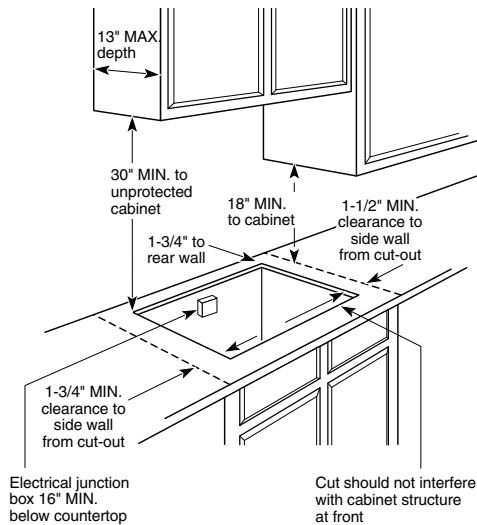
Before installing, consult installation instructions [Pub. No. 31-10150 (JP960); Pub. No. 31-10153 (JP930); Pub. No. 31-10147 (JP350/340)] packed with product for current dimensional data.

36" Ribbon cooktops are approved for use over GE 30" Single Wall Ovens only. 30" Ribbon cooktops are approved for use over select GE 27" or 30" Single Wall Ovens. Refer to cooktop and wall oven installation instructions packed with product for current dimensional data.

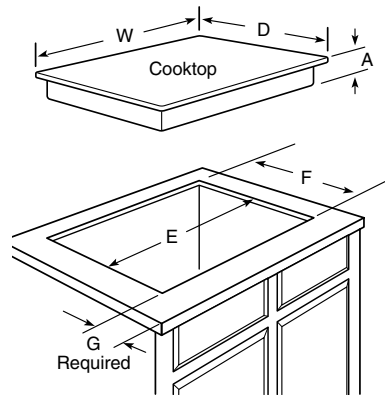
Note: If installing with a GE Profile Performance™ or GE Profile™ Telescopic Downdraft System, consult both cooktop and downdraft installation instructions packed with product before installing. Cooktop gas/electric supply may need to be re-routed to install downdraft.

Note: Consult cabinet and countertop manufacturer's specs for flush mount installation prior to install.

Counter Installation Dimensions (in inches)



Cooktop Dimensions (in inches)



Filler Trim Kit

When replacing an old GE 30" cooktop (with larger opening) with Models JP930/350/340, use the following one-piece trim kit to fill in the over-size hole. Available at additional cost.

- JXTR30W (White)
- JXTR30C (Bisque)
- JXTR30A (Almond)
- JXTR30B (Black)

Flush Mount Installation Kit

Accommodates both 30" and 36" installations.

- JXFMWW (White on white)
- JXFMCC (Bisque)
- JXFMMA (Almond on almond)
- JXFMBB (Black on black)

Dimensions (in inches)

Model	Overall				Cutout			To Edge of Front Counter (Min.)
	W	D	A	B	C	E	F	
JP960SA/TB/WA/CA/AA/BA	35	20	19-1/32	33-13/16	3-3/8*	33-7/8	19-1/16	2-1/2
JP930SA/TB/WA/CA/AA/BA	29-3/8	20-1/2	19-3/8	28-1/8	3-3/8*	28-1/2	19-5/8	2-1/2
JP350TB/WA/AA/BA	29-3/8	20-1/2	19-3/8	28-1/8	3-3/8*	28-1/2	19-5/8	2-1/2
JP340BA/WA	29-3/8	20-1/2	19-3/8	28-1/8	3-3/8*	28-1/2	19-5/8	2-1/2

*Depth of unit at conduit connection location (rear) is 4-3/4".

Built-In Electric Cooktops

GE				
	JP626WV JP626AV	JP326WV JP326AV JP326BV JP326CV	JP201CB	JP200V
Features				
Cooktop surface	Porcelain-Enameled	Porcelain-Enameled Porcelain-Enameled Brushed-Chrome	Stainless Steel	Porcelain-Enameled
Lift-up cooktop with support rod	●	●		
8" heating elements	2 Plug-In Calrod®	2 Plug-In Calrod®	1 Plug-In	1 Plug-In
6" heating elements	2 Plug-In Calrod®	2 Plug-In Calrod®	1 Plug-In	1 Plug-In
One-piece removable drip bowls	Chrome	Chrome Chrome Black Porc.-Enam. Chrome	Chrome	Chrome
Infinite heat rotary controls	●	●	●	●
Control panel location	Upfront	Right Side	Upfront	Upfront
Control panel	White Glass Almond Glass	White Glass Almond Glass Black Glass Black Glass		
Surface element "ON" indicator light	●	●	●	●
Appearance				
Color appearance*	WW AA	WW AA BB BC	SS	WH
Weights & Dimensions				
Cooktop width (in inches)	36	30	21-1/4	21-1/4
Approx. shipping weight (lbs.)	38	29	18	18
Power/Ratings				
KW rating @ 240V	7.4	7.4	3.4	3.4
208V	5.6	5.6	2.5	2.5
Amps @ 240V	40	40	20	20
208V	30	30	20	20

*SS = Stainless Steel, WW = White on white, AA = Almond on almond, BB = Black on black, BC = Brushed-Chrome, WH = White.

Built-In Electric Cooktops

Required free area between the bottom of the cooktop and any combustible material, i.e., shelving is 5" minimum on models JP626/326 and 1-1/2" minimum on models JP201/200. Free area not required when installing wall oven underneath. Requires an 18" minimum from cooktop to adjacent overhead cabinets. Units are furnished with a 48" flexible armored cable.

Installation Information:

Before installing, consult installation instructions [Pub. No. 31-10035 (JP626); Pub. No. 31-10114 (30" electric cooktops); Pub. No. 49-8204 (JP201/200)], packed with product for current dimensional data.

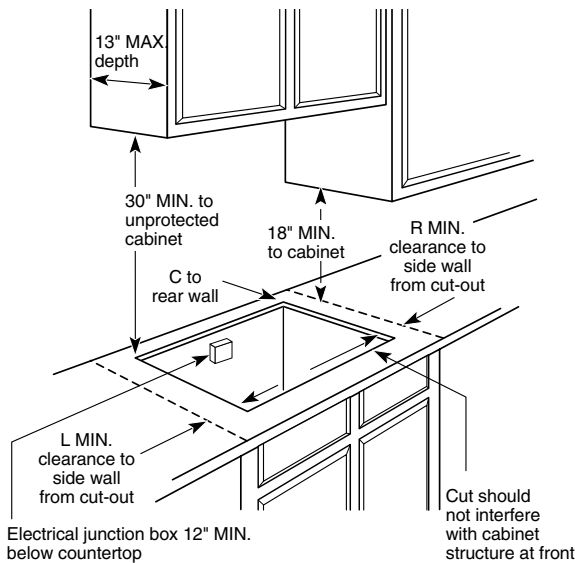
Cooktop models JP326WV/326AV/326BV/326CV are approved for use over select GE 27" or 30" Single Wall Ovens. JP626WV/626AV are approved for use over GE 30" Single Wall Ovens only. Refer to cooktop and wall oven installation instructions packed with product for current dimensional data.

Cooktop models JP200V and JP201CV are approved for use over GE undersink dishwasher model GSM2100. Refer to cooktop installation instructions packed with product for current dimensional data.

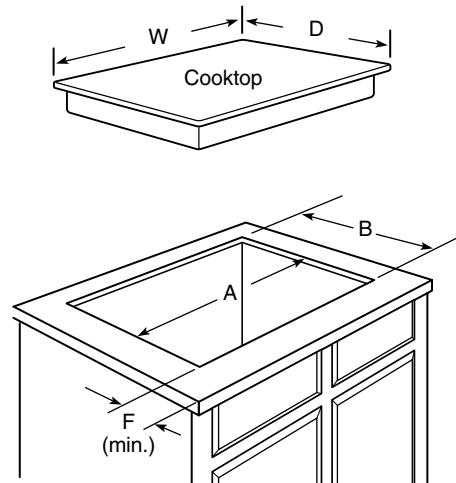
Note: If installing with a GE Profile Performance™ or GE Profile™ Telescopic Downdraft System, consult both cooktop and downdraft installation instructions packed with product before installing. Cooktop gas/electric supply may need to be re-routed to install downdraft.

Note: The countertop must be at least 26" deep with a flat surface area of 23-1/2" or more, front to back. In addition, other clearances to the front edge of the countertop must be considered.

Counter Installation Dimensions (in inches)



Built-In Cooktop Dimensions (in inches)



Filler Trim Kit—When replacing an old GE 30" cooktop (with larger opening) with Model JP326WV, JP326CV, JP326AV, JP326BV or use the following one-piece trim kit to fill in the over-size hole. Available at additional cost.
 JXTR30W (White)
 JXTR30C (Bisque)
 JXTR30A (Almond)
 JXTR30B (Black)

Dimensions (in inches)

Model	Overall		Cutout		Minimum Spacing To Nearest Combustible Wall			To Edge of Front Counter (Min.)
	W	D	A	B	C	R	L	F
JP626WV	35-1/2	21	33-7/8	19-1/16	1-3/4	6	6	2-1/2
JP626AV	35-1/2	21	33-7/8	19-1/16	1-3/4	6	6	2-1/2
JP326WV	30-1/4	21-1/4	28-1/2	19-5/8	1-3/4	2	5-1/2	2-1/2
JP326CV	30-1/4	21-1/4	28-1/2	19-5/8	1-3/4	2	5-1/2	2-1/2
JP326AV	30-1/4	21-1/4	28-1/2	19-5/8	1-3/4	2	5-1/2	2-1/2
JP326BV	30-1/4	21-1/4	28-1/2	19-5/8	1-3/4	2	5-1/2	2-1/2
JP201CB	21-1/4	16-5/8	20-1/8	16-1/8	2	2	2	2-3/4
JP200V	21-1/4	16-5/8	20-1/8	16-1/8	2	2	2	2-3/4

See page 156 for warranty information.

Refrigeration

Cooking Products

Microwave Ovens

Dishwashers

Clothes Care

Water Systems

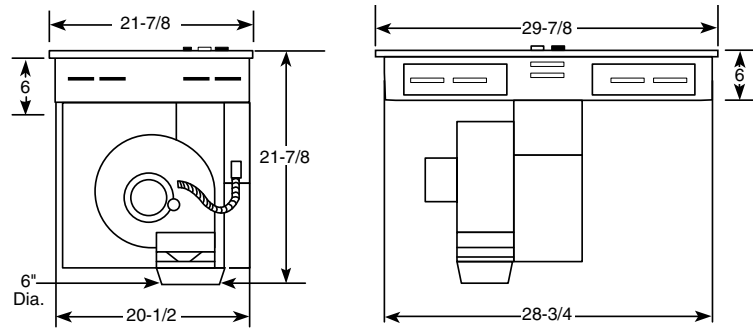
Air Conditioning

Downdraft Electric Cooktops

GE Profile Performance™	
	JP989TD JP989WD JP989CD JP989BD
Features	
Downdraft exhaust (CFM)	400
Three-speed downdraft vent fan	●
	Patterned True White Patterned White Patterned Bisque Patterned Black
Glass ceramic surface	
Number of elements	4
Dual 6/9" heating elements	1 Ribbon (1000/2500W)
7" heating elements	2 Ribbon (1800W)
Bridge element	1 Ribbon (1800/2600W)
Total Wattage	4400W
6" heating elements	1 Ribbon (1500W)
Infinite heat controls	●
Hot surface indicator lights	4
Heating element "ON" indicator light	●
Appearance	
	WW WW CC BB
Color appearance*	●
Frameless	●
Weights & Dimensions	
Cooktop width (in inches)	30
Overall dimensions (WxD in inches)	29-7/8 x 21-7/8
Approximate shipping weight (lbs.)	72
Power/Ratings	
KW Rating @ 240V	8.8
208V	6.7
Amps @ 240V	40
208V	40

*WW = White on white, CC = Bisque, BB = Black on black.

Built-In Downdraft Cooktops Dimensions (in inches)



Wall Installation

Wall installations require 25" countertop depth. When cabinet is flush against the wall, the fan housing can be rotated to the horizontal position for direct venting through rear wall. Make a countertop cutout in the range cabinet according to unit dimensions and installation type. Duct hole is positioned in back of cabinet for through-the-wall ducting. Requires special offset adapter JXRW89.

Peninsula or Island Installation

For peninsula/islands a minimum 26" countertop depth is suggested. Blower should be in vertical position. Island or peninsula cabinets may require adjustment in cutout depth and/or location within the width dimensions. Duct hole is positioned in bottom of cabinet for island or peninsula installation.

Slab Installation

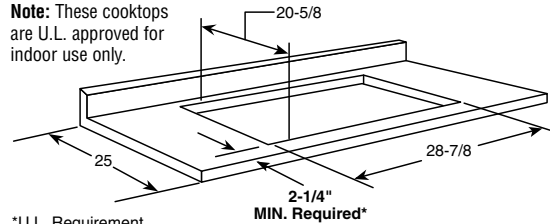
For peninsula or island installation and rear wall ducting, **6" PVC duct or locally approved piping should be used if installing under a poured concrete slab.**

Installation Information: Before installing, consult installation instructions packed with product for current dimensional data.

Note: Electrical cable is not supplied with unit

Cutout Dimensions (in inches)

Note: These cooktops are U.L. approved for indoor use only.

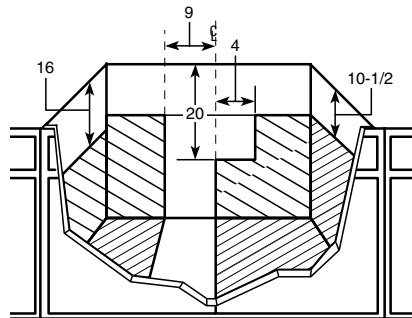


*U.L. Requirement.

Note: A 6" minimum spacing to adjacent side wall is required

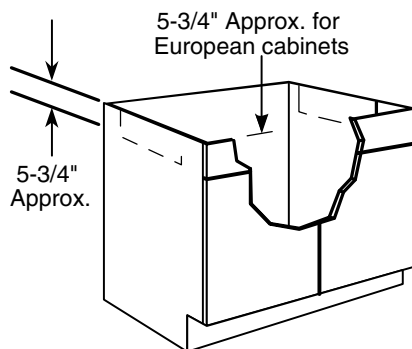
JXRW89 Rear Wall Installation Kit

Cabinet Dimensions (in inches)



Receptacle Location

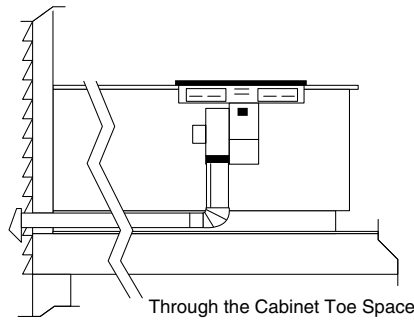
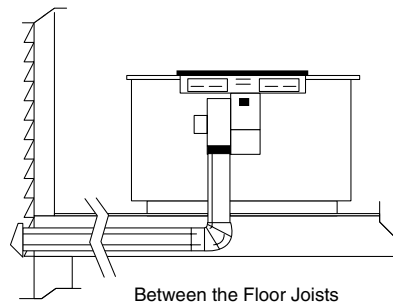
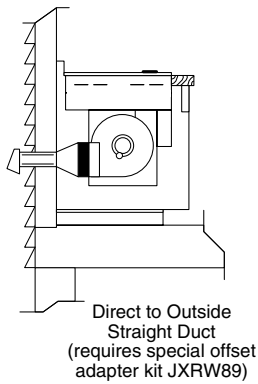
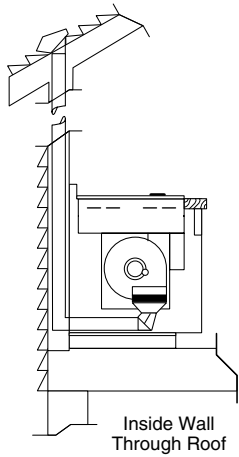
Install an approved junction box within shaded area shown in diagram. Junction box must be at least 10-1/2" below top of cabinet.



Preparing the Cabinet for Installation

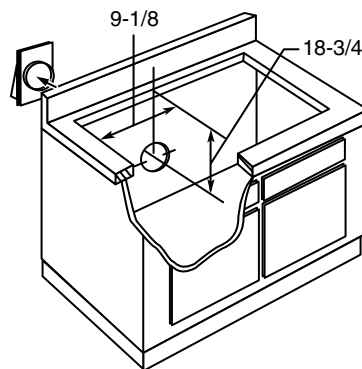
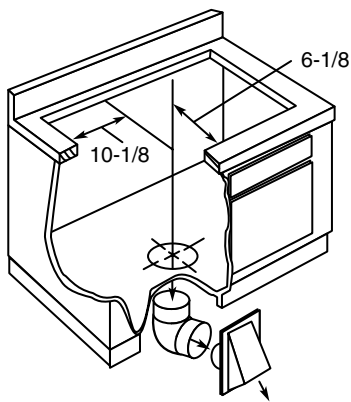
In some cabinets, the sides may need to be scooped or cut down 5-3/4" as shown (right) and the corner braces removed in order to accommodate the cooktop.

Venting Options



Downward Venting (in inches)

Rear Wall Venting (in inches)



Installing the Ductwork

Use galvanized or aluminum duct in 6" round or 3-1/4" x 10" size, or combination of both. **PVC duct or locally approved piping should be used if installing under a poured concrete slab.** Local building code must be followed in specifying type and schedule of all duct used.

Note: Ductwork must be vented to outside. Do not vent into a wall, ceiling, crawlspace, attic or any concealed space. Always use an appropriate roof or wall cap with damper. **Laundry-type wall caps should never be used.** For maximum efficiency use the shortest and straightest duct run possible, with as few fittings as possible. For satisfactory performance the duct run should not exceed 100 feet equivalent length. Refer to the table of equivalent lengths (shown in installation instructions) for various duct configurations.

Refrigeration

Cooking Products

Microwave Ovens

Dishwashers

Clothes Care

Water Systems

Air Conditioning

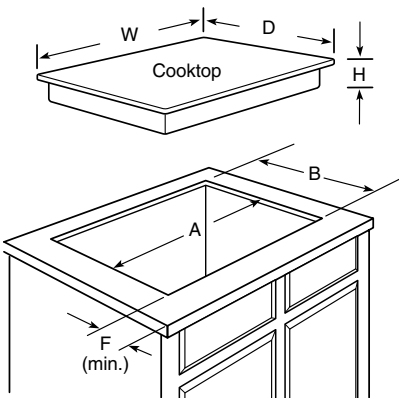
Built-In Gas Cooktops

	GE Profile Performance Series™		GE Profile™		GE		
	JGP960SEA	JGP930SEA	JGP636WEV JGP636CEV JGP636AEV JGP636BEV	JGP336WEV JGP336CEV JGP336AEV JGP336BEV	JGP626WEV JGP626AEV JGP626BEV	JGP326WEV JGP326AEV JGP326BEV	JGP320EV
Features							
Cooktop burners	5 Sealed	4 Sealed	5 Sealed	4 Sealed	4 Sealed	4 Sealed	4 Standard
Maximum Output burner	●	●	●	●			
Precise Simmer burner(s)	2	●	2	●	●	●	
Valves (degree of turn)	270	210	270	210	270	210	170
Electronic pilotless ignition	●	●	●	●	●	●	●
Glass cooktop	●	●	●	●	Porc.-Enam.	Porc.-Enam.	Porc.-Enam.
Removable round burner grates	Deluxe Cast	Deluxe Cast	Deluxe Cast	Deluxe Cast	Std. Cast	Std. Cast	Standard Steel
One-piece drip pans	Porc.-Enam.	Porc.-Enam.	Porc.-Enam.	Porc.-Enam.	Porc.-Enam.	Porc.-Enam.	Chrome
			White Bisque Almond Black	White Bisque Almond Black	White Black	White Almond Black	
Glass control panel	Black	Black					White/Black
Controls	Upfront	Right Side	Upfront	Right Side	Upfront	Right Side	Right Side
Appearance							
			WW AA BB CC	WW AA BB CC	WW AA BB	WW AA BB	WH/BL
Color appearance*	SS	SS					
Weight & Dimensions							
Cooktop width (in inches)	36	30	36	30	36	30	30
Approx. shipping weight (lbs.)	38	30	38	30	41	31	31
Power/Ratings							
Gas cooktop electrical rating	120V, 60Hz, 5A						
Burners	(1) 12.0/9.4 (2) 9.5/7.0 (2) 5.0/4.0	(1) 12.0/9.4 (2) 9.5/7.0 (1) 5.0/4.0	(1) 12.0/9.4 (2) 9.5/7.0 (2) 5.0/4.0	(1) 12.0/9.4 (2) 9.5/7.0 (1) 5.0/4.0	(3) 9.5/7.0 (1) 5.0/4.0	(3) 9.5/7.0 (1) 5.0/4.0	(4) 9.1/8.0
Nat. Gas/000's/BTU's): LP Gas †							

*SS = Stainless Steel, WW = White on white, CC = Bisque, AA = Almond on almond, BB = Black on black, WH = White, BL = Black.

†A set of LP orifices is included with each cooktop for LP conversion. Factory set for Natural Gas.

Cooktop Dimensions (in inches)



Dimensions (in inches)

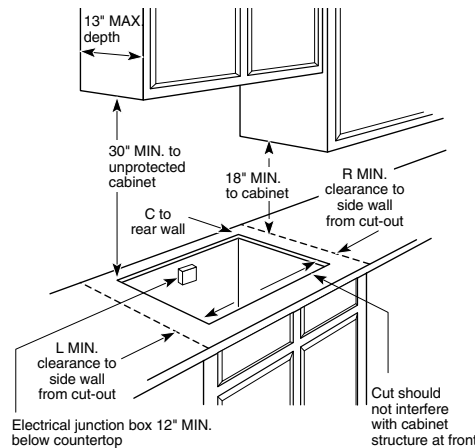
Model	Overall			Cutout		Minimum Spacing To Nearest Combustible Wall			To Edge of Front Counter	
	W	D	H	A	B	C	L	R	F	F
JGP960SEA	36	21	3-1/16	33-7/8	19-1/16	2-1/4	3-3/4	3-3/4	3-1/4	3-1/4
JGP636WEV/CEV	36	21	3-1/16	33-7/8	19-1/16	2-1/4	3-3/4	3-3/4	3-1/4	3-1/4
JGP636AEV/BEV	36	21	3-1/16	33-7/8	19-1/16	2-1/4	3-3/4	3-3/4	3-1/4	3-1/4
JGP626WEV/AEV	35-1/2	21	3-5/16	33-7/8	19-1/16	2-1/4	3-3/4	3-3/4	3-1/4	3-1/4
JGP626BEV	35-1/2	21	3-5/16	33-7/8	19-1/16	2-1/4	3-3/4	3-3/4	3-1/4	3-1/4
JGP930SEA	30	21	2-1/2	28-1/2	19-1/2	2-1/4	3-3/4	3-3/4	3-1/4	3-1/4
JGP336WEV/CEV	30	21	2-1/2	28-1/2	19-1/2	2-1/4	3-3/4	3-3/4	3-1/4	3-1/4
JGP336AEV/BEV	30	21	2-1/2	28-1/2	19-1/2	2-1/4	3-3/4	3-3/4	3-1/4	3-1/4
JGP326WEV/AEV	30-1/4	21-1/4	3-9/32	28-1/2	19-1/2	2-1/4	3-3/4	3-3/4	3-1/4	3-1/4
JGP326BEV	30-1/4	21-1/4	3-9/32	28-1/2	19-1/2	2-1/4	3-3/4	3-3/4	3-1/4	3-1/4
JGP320EV*	30-1/4	21-1/4	3-9/32	28-1/2	19-1/2	1-3/4	3	3	3-1/4	3-1/4

*Allow 5-3/4" depth at rear for electrical and gas connections.

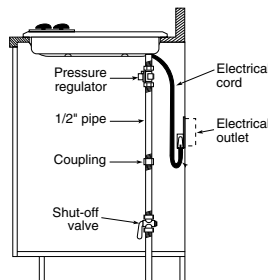
Note: All gas cooktop models require 7/16" free area below cooktop height to combustible material. 0" clearance is required between left and right sides of cooktop below countertop. Requires 18" minimum from countertop to adjacent overhead cabinets.* *AGA requirement.

Note: If installing with a GE Profile Performance™ or GE Profile™ Telescopic Downdraft System, consult both cooktop and downdraft installation instructions packed with product before installing. Cooktop gas/electric supply may need to be re-routed to install downdraft.

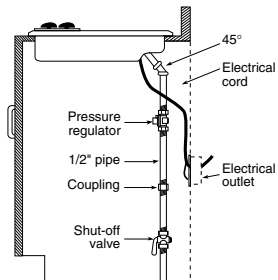
Counter Installation Dimensions (in inches)



Gas Connection Models JGP960, 636 and 626



Gas Connection Models JGP930, 336, 326 and 320



Installation Information: Before installing, consult installation instructions [Pub. No. 31-10169 (JGP636/626), Pub. No. 31-10172 (JGP336/326), Pub. No. 31-10004 (JGP320)] packed with product for current dimensional data.

Installation With Single Wall Oven Information:

30" Gas Cooktops are approved for use over select GE 27" Wall Ovens. 30" and 36" Gas Cooktops are approved for use over 30" Wall Ovens. Refer to cooktop and wall oven installation instructions packed with product for current dimensional data.

Optional Gas Range Wok Accessory (Available at additional cost)

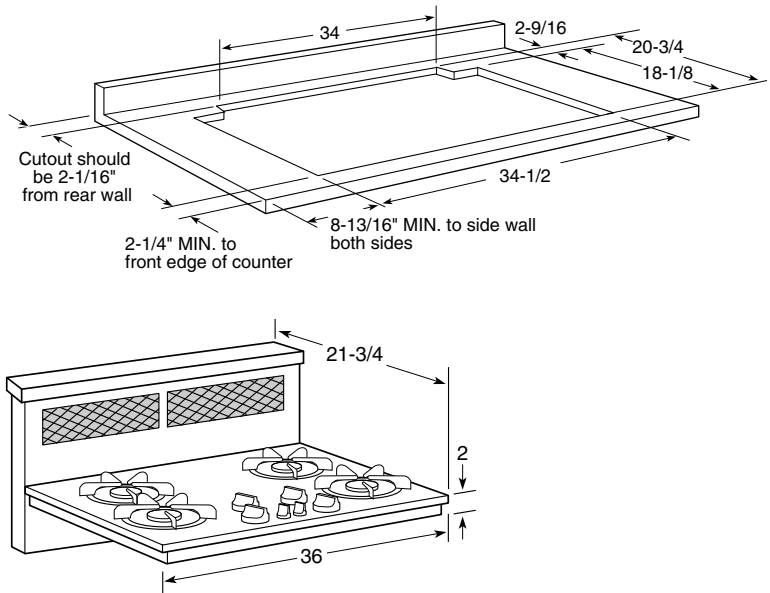
JXWK = Wok accessory holder sits on top of maximum burner grate to hold a round-bottom wok.

Downdraft Gas Cooktops

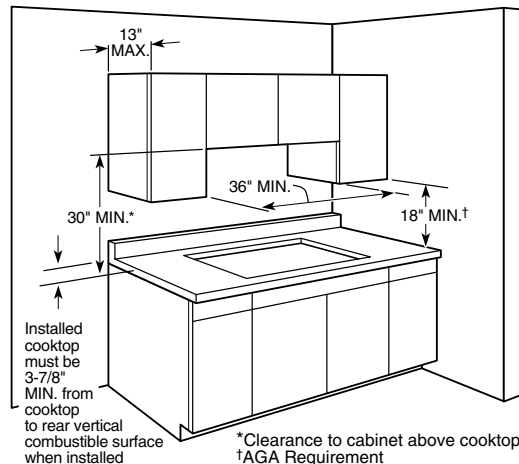
GE Profile™	
JGP656WB JGP656BB	
Features	
Cooktop burners	Sealed
Electronic pilotless ignition	●
Tempered glass cooktop	White
Burner grates	Black
Downdraft exhaust (CFM)	2
Optional blower mount capabilities	350
3-1/4" x 10" rectangular duct	●
Upfront variable-speed fan control	●
Removable grease filters	●
Appearance	
Color appearance*	WW BB
Upfront controls	●
Telescopic cover plate	White
Telescopic snorkel assembly	Black
Weights & Dimensions	
Cooktop width (in inches)	36
Overall dimensions (WxD in inches)	36 x 22-1/4
Approximate shipping weight (lbs.)	48
Power/Ratings	
Gas cooktop electrical rating	120V, 60Hz, 15A
Burners (000's/BTU's): Natural Gas/LP Gas	(1) 12.0/11.0 (2) 9.5/9.5 (1) 5.0/5.0

*WW = White on white, BB = Black on black.
IMPORTANT: Cooktop is shipped separately. JXBA56BB or JXBA56WW (motor, blower and downdraft housing assembly required. Must be ordered with cooktop.)
LP Conversion Kit. LP orifices for LP conversion. Factory set for natural gas.
JXBC57 Outdoor Cover. Optional accessory may be ordered for installation of motor and blower assembly on outside wall.
JXR57 Remote Installation Kit. Optional accessories may be ordered for installation below the floor.
 A minimum 36" side-to-side undercounter clearance is required for ease of installation. Unit is furnished with a 4-foot, 110V electric cord.

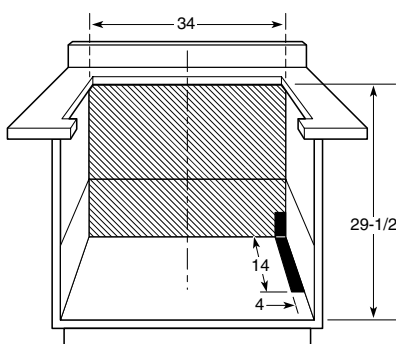
Downdraft Gas Cooktops Dimensions (in inches)



Cabinet Requirements Dimensions (in inches)

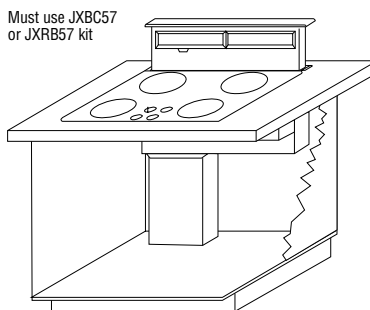


Gas and Electrical Supply Location Dimensions (in inches)

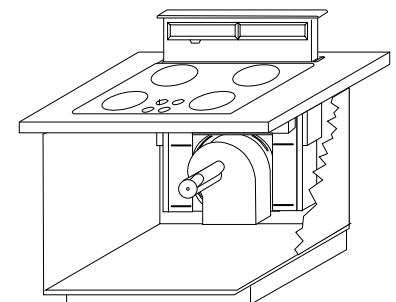


Gas and Electrical Supply Location
 The gas supply pipe and the electrical supply receptacle entering the cabinet should not be positioned as shown in the shaded areas. The cooktop is equipped with a 4' power supply cord and should reach any desired location on cabinet walls.

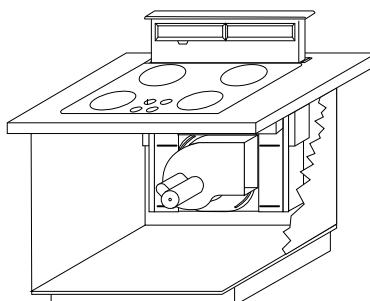
Venting Options (Through the Floor)



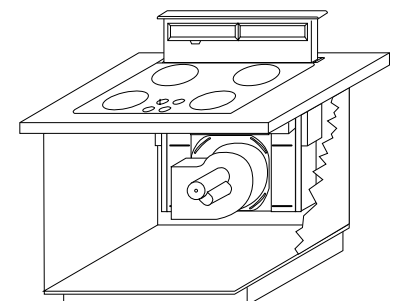
In Cabinet Discharge (Down)



In Cabinet Discharge (Right)



In Cabinet Discharge (Left)



Installation Information: Before installing, consult installation instructions (Pub. No. 31-0840) packed with product for current dimensional data.

See page 156 for warranty information.

Refrigeration

Cooking Products

Microwave Ovens

Dishwashers

Clothes Care

Water Systems

Air Conditioning

Select-Top™ Modular Downdraft Cooktops and Patio Grill

	GE Profile™	GE	
	Dual Modular	Single Modular	Patio Grill
	JP389WV JP389BV	JP385WV JP385BV JP385CV	JP380BV
Features			
Configuration	Dual Modular	Single Modular	Outdoor Grill
Cooktop finish	White Porc.-Enam. Black Porc.-Enam.	White Porc.-Enam. Black Porc.-Enam. Black Brushed-Chrome	Black Porcelain-Enameled
Infinite heat controls	Rotary	Rotary	Rotary
Heating element "ON" indicator light	●	●	●
Downdraft exhaust (CFM)	400	400	375
Single speed downdraft vent fan	●	●	●
Three-speed downdraft vent fan	●	●	●
Fixed plug-in Calrod® elements		One 6", One 8"	Fixed Grill (each side)
Removable one-piece drip bowls/trim rings		Chrome Black Porc.-Enam. Chrome	Chrome
Appearance			
Color appearance*	WW BB	WW BB BC	BB
Weights & Dimensions			
Cooktop width (in inches)	30	30	30
Approx. ship. wt. (lbs.)	72	75	68
Power/Ratings			
Amps @ 240V	40	40	40
KW rating @ 240V	8.0	8.0	5.6
Accessories			
Ribbon heating elements (one 8" and one 6")	JXDR50WV JXDR50VB	JXDR50WV JXDR50VB	
Calrod® heating elements (one 6", one 8" element with removable one-piece bowls)	JXDC44RWH JXDC43RBL	JXDC44RWH JXDC43RBL JXDC41NBC	
Grill Module†	JXDL44N	JXDL44N	
Griddle Accessory	JXDD44R	JXDD44R	
Grill Cover	JXDM3 JXDM2	JXDM3 JXDM2	JXDM4

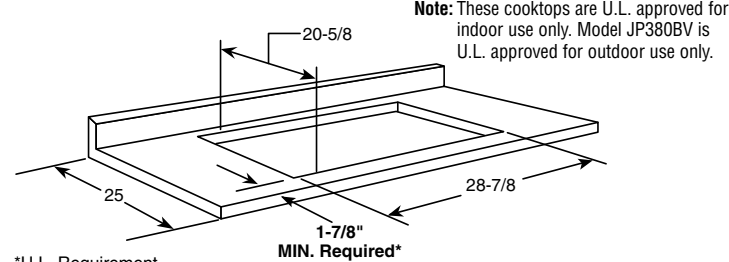
*WW = White on white, BB = Black on black, BC = Brushed-Chrome.

†Grill Module includes Calrod® heating element, one-piece Grill Grate, and porcelain reflector pan.

Cooktop Options

GE lets you customize your cooktop with flexible modules to suit your taste. These optional versatile modules—*Grill*, *Calrod® Ribbon*, *Griddle Opening Accessory* and *Grill Cover*—are available at additional cost. Simply plug the modules you want into either side of the cooktop (single modular cooktops accept modules on left side only) and unplug them for easy cleaning and storage.

Cutout Dimensions (in inches)



*U.L. Requirement.

Note: A 6" minimum spacing to adjacent side wall is required

Wall Installation

Wall installations require 25" countertop depth. When cabinet is flush against the wall, the fan housing can be rotated to the horizontal position for direct venting through rear wall. Make a countertop cutout that is centered in the range cabinet according to unit dimensions and installation type. Duct hole is positioned in back of cabinet for through-the-wall ducting.

Peninsula or Island Installation

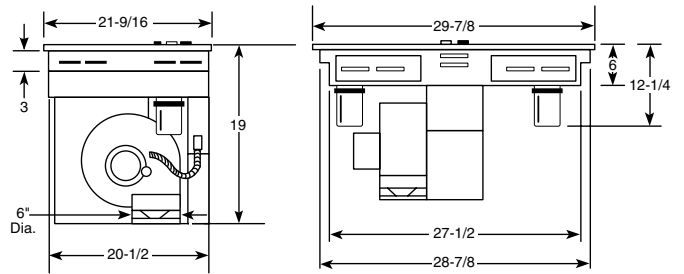
For peninsula/islands a minimum 26" countertop depth is suggested. Blower should be in vertical position. Island or peninsula cabinets may require adjustment in cutout depth and/or location within the width dimensions. Duct hole is positioned in bottom of cabinet for island or peninsula installation.

Slab Installation

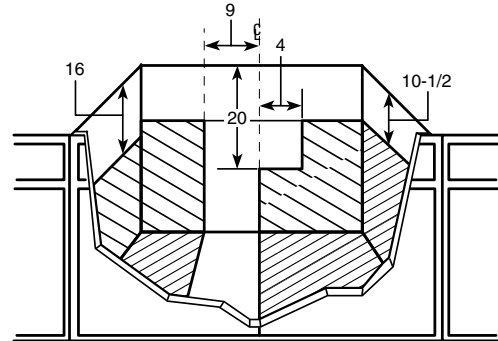
For peninsula or island installation and rear wall ducting, **PVC duct or locally approved piping should be used if installing under a poured concrete slab.**

See page 156 for warranty information.

Built-In Downdraft Cooktops Dimensions (in inches)

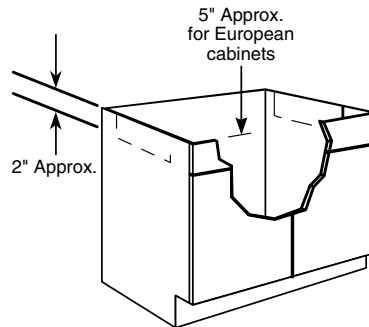


Cabinet Dimensions (in inches)



Receptacle Location

Install an approved junction box within shaded area shown in diagram. Junction box must be at least 10-1/2" below top of cabinet.



Preparing the Cabinet for Installation

In some cabinets, the sides may need to be scooped or cut down 2" as shown (right) and the corner braces removed in order to accommodate the cooktop.

Installation Information:

Before installing, consult installation instructions [Pub. No. 49-8672 (JP389/385); Pub. No. 49-8670 (JP380)] packed with product for current dimensional data.

Grill Module, JXDL44N

Includes front/rear controlled heating element, one-piece grill grate, and porcelain-enameled reflector pan.

Grill Cover (For model JP380 patio grill only.)

Covers grill area when not in use
JXDM3—White on white, JXDM2—Black on black, JXDM4—Black on black

Griddle Accessory, JXDD44R (Use with optional Grill Module.)

Place over heating element and reflector pan from optional grill module. Griddle accessory has a non-stick coating and is self-draining.

Ribbon Modules

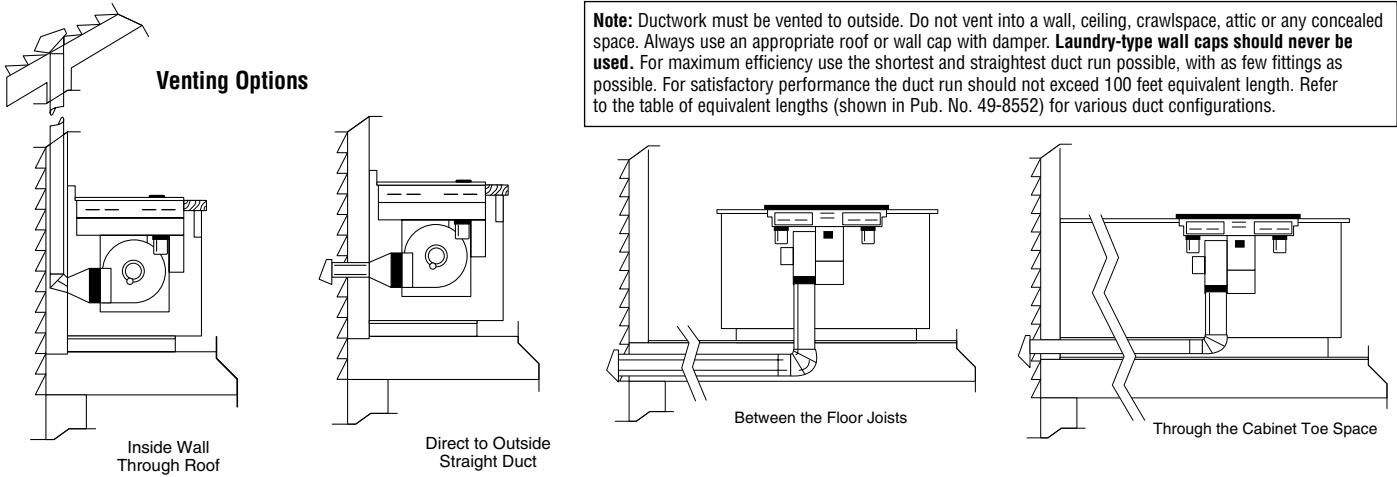
Patterned glass top with one 8" and one 6" ribbon heating element
JXDR50WV—White on white, JXDR50VB—Black on black,

Calrod® Modules

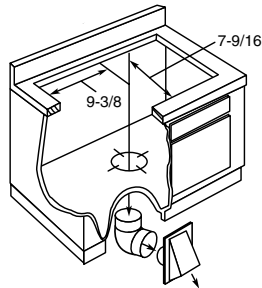
One 8" and one 6" plug-in heating element with one-piece bowls
JXDC41NBC—Brushed-chrome, JXDC43RBL—Black porcelain-enameled,
JXDC44RWH—White porcelain-enameled

Note: Ductwork must be vented to outside. Do not vent into a wall, ceiling, crawlspace, attic or any concealed space. Always use an appropriate roof or wall cap with damper. **Laundry-type wall caps should never be used.** For maximum efficiency use the shortest and straightest duct run possible, with as few fittings as possible. For satisfactory performance the duct run should not exceed 100 feet equivalent length. Refer to the table of equivalent lengths (shown in Pub. No. 49-8552) for various duct configurations.

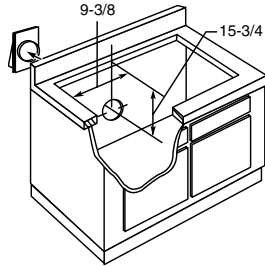
Venting Options



Downward Venting (in inches)



Rear Wall Venting (in inches)



Installing the Ductwork

Use minimum 26-gauge galvanized or 24-gauge aluminum duct in 6" round or 3-1/4" x 10" size, or combination of both. **PVC duct or locally approved piping should be used if installing under a poured concrete slab.**

Built-In Downdraft Gas Modular Cooktops

	GE Profile™	
	JGP389WEV* JGP389BEV*	JGP18BEV**
Features		
Configuration	Single Modular	Single Modular
Accepts modules	Left Side	•
Fixed gas cooktop burners (right side)	Standard	•
Electronic pilotless ignition	•	•
Downdraft vent fan	•	•
Downdraft exhaust (CFM)	375	375
Appearance		
Color appearance	White on white Black on black	Black on black
Up-front controls	•	•
Weight & Dimensions		
Cooktop width (in inches)	30	18
Overall dimensions (W x D in inches)	29-7/8 x 21-1/2	18-1/16 x 21-1/2
Approximate shipping wt. (lbs.)	58	45
Power/Ratings		
Gas cooktop electrical rating	← 120V, 60Hz, 15A →	
BTU's (000's) Right side (burners)	10.0/9.0	—
Nat/LP Grill Unit	8.0/8.0	8.0/8.0

*Models JGP389WEV and JGP389BEV are shipped with fixed standard gas burners, right side. Left side accepts optional modules that must be ordered and are available at additional cost.
 **Model JGP18BEV is shipped without modules. Optional modules must be ordered and are available at additional cost.

Optional Modules (Available at additional cost)

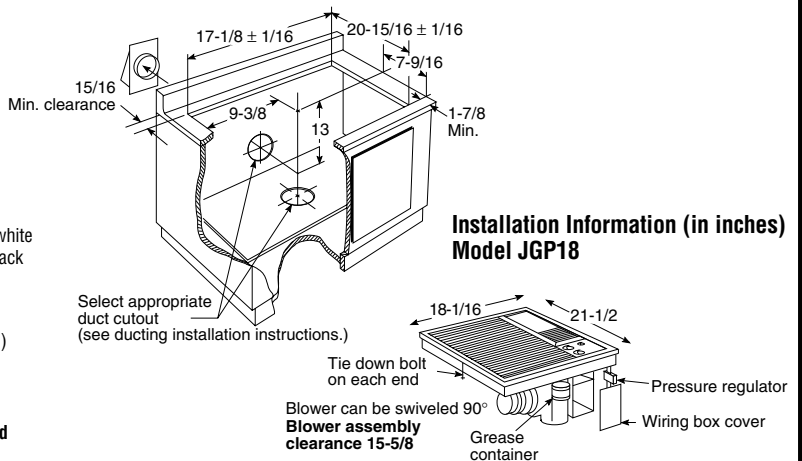
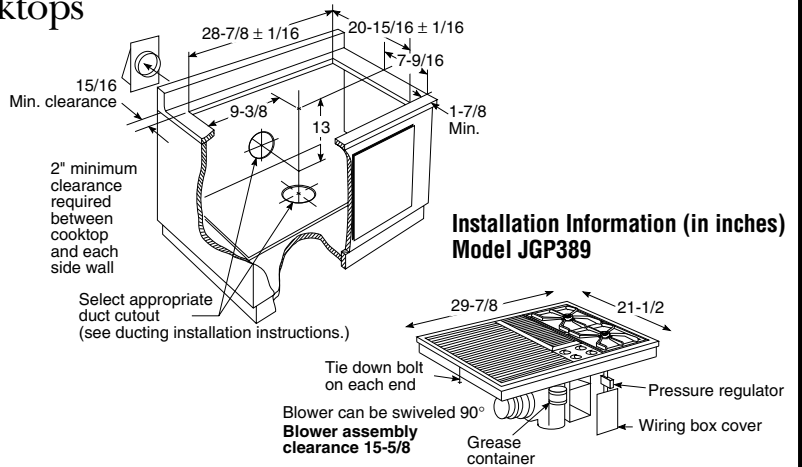
Two-Burner Gas Module (standard burners)—	Gas Grill Module—JXGG89	Grill Cover—JXGC89W—White on white
JXGB89W—White on white	Griddle—JXGL89 (use with optional Grill module)	JXGC89B—Black on black
JXGB89B—Black on black		



Installation Information:
 Before installing, consult installation instructions (Pub. No. 49-8585) packed with product for current dimensional data.

Slab Installation

For peninsula or island installation and rear wall ducting, **PVC duct or locally approved piping should be used if installing under a poured concrete slab.**



See page 156 for warranty information.

30" Slide-In Electric Ranges

	GE Profile Performance™	GE Profile™		GE		
	JS966SD JS966TD JS966WD JS966CD JS966BD	JSP56WD JSP56CD JSP56BD	JSP46WD JSP46CD JSP46BD	JSP34WW JSP34AW JSP34BW	JSP26BW	JSS26BW JSS16PW
Features						
Self-clean oven with Delay Clean option	●	●	●	●	●	Standard Clean
Variable cleaning time	●	●	●	●	●	
Automatic self-clean oven door lock	●	●	●	●	●	
Oven shelves	3 Heavy-Duty	3	2	2	2	2
Glass-ceramic cooktop	Patterned Black Patterned True White Patterned White Patterned Bisque Patterned Black	Patterned White Patterned Bisque Patterned Black	Patterned White Patterned Bisque Patterned Black	White Almond Black	CM* Porc.-Enam.	Black Porc.-Enam. CM* Porc.-Enam.
Lift-up porcelain-enameled cooktop				White Almond Black	CM* Porc.-Enam.	Black Porc.-Enam. CM* Porc.-Enam.
Overhanging cooktop	●	●	●	●	●	●
Removable one-piece drip bowls				Chrome Porc.-Enam. Porc.-Enam.	Porc.-Enam.	Chrome
Dual 6"/9" heating element	1 Ribbon (2500W)	1 Ribbon (2500W)	1 Ribbon (2500W)	2 Plug-In	2 Plug-In	2 Plug-In
8" heating elements	2 Ribbon (1800W)	2 Ribbon (2000W)	2 Ribbon (2000W)			
7" heating elements	2 Ribbon (1800W)	2 Ribbon (2000W)	2 Ribbon (2000W)			
Bridge element	1 (800W)	1 (800W)	1 (800W)			
Total Wattage	4400W	4400W	4400W			
6" heating elements	1 Ribbon (1500W)	1 Ribbon (1500W)	1 Ribbon (1500W)	2 Plug-In	2 Plug-In	2 Plug-In
Warming zone	1 Ribbon (120W)					
Infinite heat controls	●	●	●	●	●	●
Convection Bake	●	●	●	●	●	●
Convection Roast	●	●	●	●	●	●
SmartSet Controls	●	●	●	●	●	●
Temperature display	●	●	●	●	●	●
Start pad	●	●	●	●	●	●
Delay Bake option w/Cook & Hold	●	●	●	●	●	●
C° or F° programmable	●	●	●	●	●	●
Audible preheat signal	●	●	●	●	●	●
Auto oven shut-off w/override	●	●	●	●	●	●
Control lock capability	●	●	●	●	●	●
Electronic clock/kitchen timer	●	●	●	●	●	●
Hot surface indicator lights	4 + Warmer	4	4			
Automatic meat thermometer	●					
Heating element "ON" indicator light				●	●	●
Interior oven light	Halogen	●	●	●	●	●
Storage drawer	Stainless White White Bisque Black	White Bisque Black	White Bisque Black	White Almond Black	CM*	Black CM*
Broiler pan with grid	●	●	●	●	●	●
Roasting rack	●	●	●	●	●	●
Appearance						
Color appearance*	SS WW WW CC BB	WW CC BB	WW CC BB	WW AA BB	WH/AD	BB WH/AD
Frameless glass oven door	Stainless White White Bisque Black	White Bisque Black	White Bisque Black	White Almond Black	CM*	Black Painted
Oven door with window	●	●	●	●	●	●
Lift-off oven door	Big View	Big View	Big View	●	●	●
Designer-style handle	Integrated	Integrated	Integrated	●	●	Visor
Weights & Dimensions						
Overall oven interior dimensions (WxHxD in inches)	← 24 x 17-3/8 x 15-3/4 →		24 x 17-3/8 x 17-7/8	← 22-3/4 x 15-3/4 x 17 →		
Approx. shipping weight (lbs.)	200	200	200	175	175	160
Power/Ratings						
KW rating @ 240V	12.1	12.0	11.2	10.8	10.8	11.6
208V	9.1	9.0	8.4	8.1	8.1	8.7
Amps @ 240V	50	50	50	40	40	40
208V	40	40	40	40	40	40
Convection Wattage	2500	2500				
Broiler/Bake Wattage	3600/3400	3600/3400	3600/3400			

*SS= Stainless steel, WW = White on white, CC = Bisque, AA = Almond on almond, BB = Black on black, WH = White, AD = Almond, CM = Color-Matched indicates color of the oven door matches range cooktop and drawer face (either white or almond).

Note: Cabinets installed adjacent to slide-in electric ranges must have an adhesion spec of at least 194°F temperature rating.

Note: All 30" Slide-In Ranges conform to U.L. requirements for 0" spacing from range to adjacent walls below countertop. To reduce possibility of scorching the side walls above the countertop when no load is present on burners, it is recommended that a minimum 6" spacing from adjacent side wall be allowed for possible extended high-heat element operation.

Receptacle Locations: For all 30" Slide-In Ranges locally approved flexible service cord or conduit must be used because terminals are not accessible after range installation. See shaded area in drawing for location of electrical outlet box. Recommended outlet locations allow range to be installed directly against rear wall.

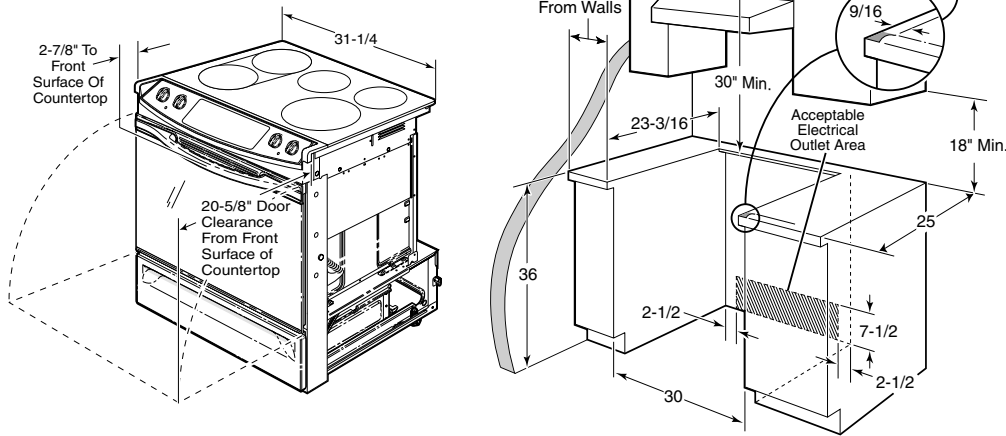
Note: Range may be placed with 0" clearance (flush) at the back wall and side walls if the range side trims extend beyond the cabinet fronts at least 1/4". (Self-clean models only)

Installation Information: Before installing, consult installation instructions packed with product for current dimensional data.



All GE ranges are equipped with an Anti-Tip device. The installation of this device is an important, required step in the installation of the range.

30" Slide-In Range Dimensions (in inches)
Models JS966 and JSP56/46



Optional Kits for Slide-In Electric Ranges (Models JS966, JSP56 and JSP46)
 (Available At Additional Cost)

Maintop Filler

(Fills gap between cooktop and wall when unit is installed in 30" free-standing cutout)

- JXS66WW—White
- JXS66CC—Bisque
- JXS66BB—Black

Accessory Backguards

(Attaches to the back of range as a backguard when unit is installed in 30" free-standing cutout)

- JXS39SS—Stainless
- JXS36WW—White
- JXS36CC—Bisque
- JXS36BB—Black

Body Sides

(Slide-in ranges are sold without sides installed. Can be installed on either left or right when unit has one exposed side [no cabinet adjacent]. Kit contains 1 body side)

- JXS76WW—White
- JXS76CC—Bisque
- JXS76BB—Black

Vertical Side Trim Kits

(If cabinet cutout width is more than 30", a vertical side trim kit may be used to close the gap between the range and cabinet)

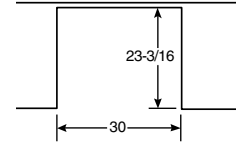
- JXS86WW—White
- JXS86CC—Bisque
- JXS86BB—Black

Lower Trim Kits

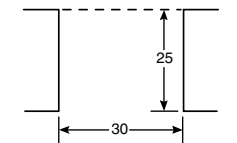
(If counter height is greater than 36.5", a lower trim kit is recommended to extend the useful height to 38" maximum)

- JXS56WW—White
- JXS56CC—Bisque
- JXS56BB—Black

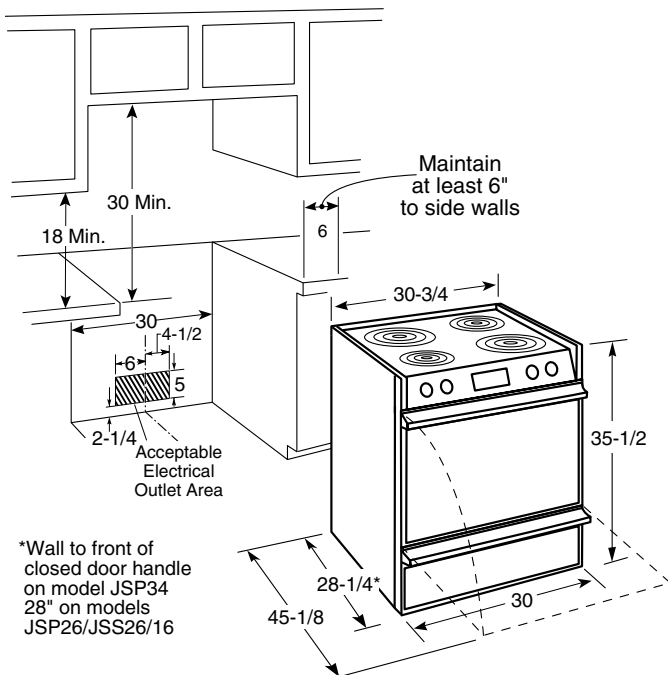
If you are NOT using the optional Filler or Backguard:



If you are using the optional Filler or Backguard:



30" Slide-In Range Dimensions (in inches)
Models JSP34/26 and JSS26/16



*Wall to front of closed door handle on model JSP34 28" on models JSP26/JSS26/16

Optional Kits for Slide-In Electric Ranges (Models JSP34/26 and JSS26/16)
 (Available at additional cost)

Rear Filler Strip Kit

JXS28—Rear Filler Strip Kit (Brushed-chrome)

Accessory Backguards

- JXS31—White Accessory Backguard
- JXS32—Brushed-Chrome Accessory Backguard
- JXS33—Almond Accessory Backguard
- JXS34—Black Accessory Backguard
- JXS35—Bisque Accessory Backguard

Endcap Kit

JXS40—Endcap kit to accommodate replacement where countertop may already be notched.

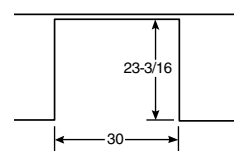
Lower/Side Trim Kits

(If countertop height is greater than 37", it is recommended to use a lower trim kit.)

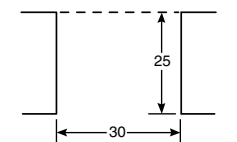
- JXS52BB—Lower trim (Black)
- JXS53WW—Lower trim (White)
- JXS54AA—Lower trim (Almond)
- JXS55CC—Lower trim (Bisque)
- Pub. No. 3-A040—Vertical Side Trim Kit (Brushed-Chrome)

Models shown are shipped with rear filler strip kit.

If you are NOT using the optional Filler or Backguard:



If you are using the optional Filler or Backguard:



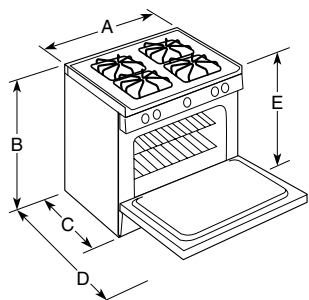
See page 156 for warranty information.

30" Slide-In Gas Ranges

Features	GE Profile™	GE	
	JGSP44WEY JGSP44AEY JGSP44BEY	JGSP23WEY JGSP23BEY	JGSS05BEA
Self-Clean oven with Delay Clean option	•	•	Extra-Large Standard Clean
Variable cleaning time	•	•	
Automatic self-clean oven door lock	•	•	
Cooktop burners	Sealed	Sealed	Standard
Maximum output burner	•	•	
Standard simmer burner	•	•	
SmartSet Controls	•	•	
Temperature display	•	•	
Start pad	•	•	
Delay Bake option with Cook & Hold	•	•	
C° or F° programmable	•	•	
Audible preheat signal	•	•	
Auto oven shut-off with override	•	•	
Electronic clock and kitchen timer	•	•	
Control lock capability	•	•	
Cooktop	White Glass Almond Glass Black Glass	White Porcelain-Enameled Black Porcelain-Enameled	Black Porcelain-Enameled
Lift-up cooktop			•
One-piece drip pans	Porcelain-Enameled	Porcelain-Enameled	
Removable cooktop grates	Deluxe Cast	Standard Cast	Standard Porcelain Steel
Ignition system	Electronic	Electronic	Electronic
Oven racks	2	2	2
Broiler pan and grid	•	•	Extra-large
Interior oven light	•	•	•
Storage drawer	•	•	•
In-oven broiling	•	•	•
Slide-out broiler drawer			•
Appearance			
Color appearance*	WW AA BB	WW BB	BB
Frameless glass oven door	White Almond Black	White Black	Black
Oven door with window	•	•	•
Lift-off oven door	•	•	•
Designer-style handle	Sure Grip	•	•
Weights & Dimensions			
Overall oven interior dimensions (WxHxD in inches)	22-3/4 x 13 x 17		24 x 17 x 19
Approx. shipping wt. (lbs.)	197	192	165
Power/Ratings			
Gas range electrical rating	120V, 60Hz, 5A		
Top burners (000's BTU's) Nat/LP	(1) 12.0/9.4 (2) 9.5/7.0 (1) 5.0/4.0	(3) 9.5/7.0 (1) 5.0/4.0	(4) 9.0/8.0
Oven/broiler burners (000's BTU's) Nat/LP	16.0/16.0	16.0/16.0	16.0/16.0
Accessories			
Optional backguard (available at additional cost)	JXS31 JXS33 JXS34	JXS31 JXS34	

*WW = White on white, BB = Black on black, AA = Almond on almond.
Universal Orifices for Natural or LP Gas. Factory set for Natural Gas. A set of LP orifices is included with each range for LP conversion.

30" Slide-In Gas Ranges Dimensions (in inches) Models JGSP44 and JGSP23



Dimensions (in inches)

Model	A*	B	C**	D	E
JGSP44WEY	30	36-1/4	29-1/2	45-13/16	35-7/8 to 38
JGSP44AEY	30	36-1/4	29-1/2	45-13/16	35-7/8 to 38
JGSP44BEY	30	36-1/4	29-1/2	45-13/16	35-7/8 to 38
JGSP23WEY	30	36-1/4	28-7/8	45-1/8	35-7/8 to 38
JGSP23BEY	30	36-1/4	28-7/8	45-1/8	35-7/8 to 38

*Cooktop width including overhang is 30-3/4".
**Depth including handle:
26-7/8"—Wall to front of closed oven door
26-1/2"—Depth to front top edge of cooktop

Installation Information: Before installing, consult installation instructions [Pub. No. 31-10181 (JGSP44AEY, JGSP44WEY, JGSP44BEY, JGSP23WEY and JGSP23BEY) packed with product for current dimensional data.

Rear Filler Strip Kits

Models JGSP44 and JGSP23 are shipped with required "vented" rear filler strip

Optional Kits for Slide-In Gas Ranges:

(Available at additional cost on all models except JGSS05BEA)

Lower/Side Trim Kits

JXS52BB—Lower Trim Kit (Black)
JXS53WW—Lower Trim Kit (White)
JXS54AA—Lower Trim Kit (Almond)
Pub. No. 3-A040 Vertical Side Trim Kit (Brushed-Chrome)

Accessory Backguards

JXS31—White Accessory Backguard
JXS32—Brushed-Chrome Accessory Backguard
JXS33—Almond Accessory Backguard
JXS34—Black Accessory Backguard

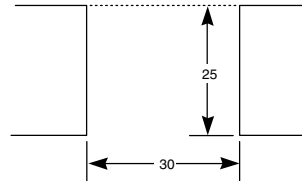
Endcap Kit

JXS40—Endcap kit to accommodate replacement where countertop may already be notched.

Optional Gas Range Wok Accessory

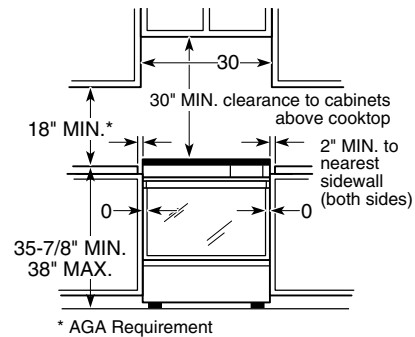
(Available at additional cost)
JXWK = Wok accessory holder sits on top of maximum burner grate to hold a **round-bottom** wok.

Counter Cutout Dimensions for Models JGSP44 and JGSP23 (in inches)



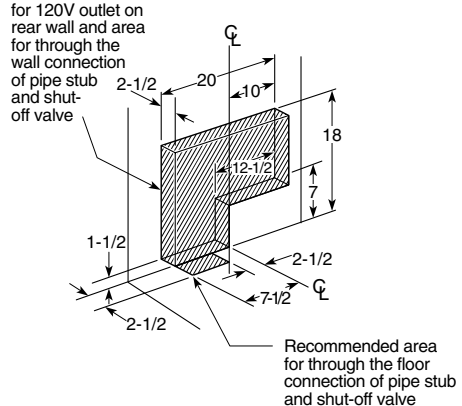
You must use the rear filler strip kit shipped with the range or the optional accessory backguard (JXS31, JXS32, JXS33, JXS34) when installing these ranges.

Note: Cabinets installed adjacent to slide-in ranges must have an adhesion spec of at least 194° F temperature rating.

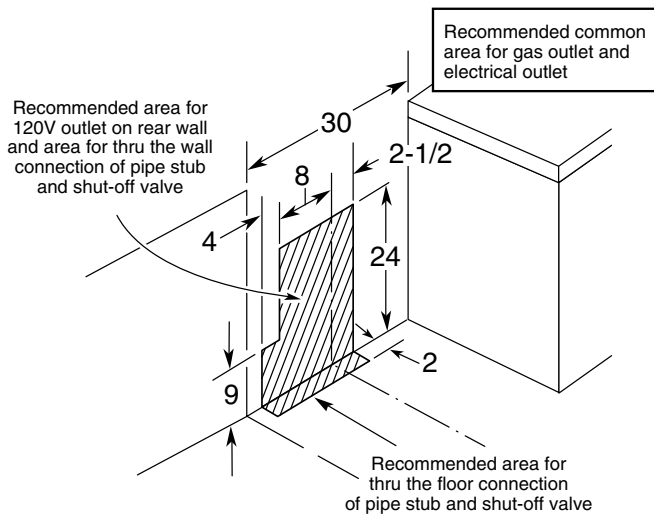
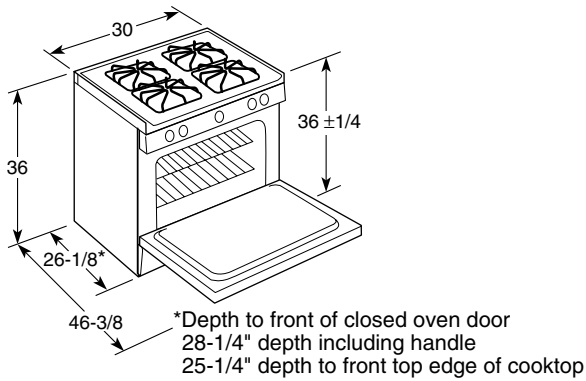


Note: Models JGSP44AEY, JGSP44WEY, JGSP44BEY, JGSP23WEY and JGSP23BEY are shipped with special "vented" rear filler strip. Post form countertops may not be used when installing this range. The filler strip (provided) or optional backguard kit is required for installation.

Recommended area for 120V outlet on rear wall and area for through the wall connection of pipe stub and shut-off valve



**30" Slide-In Gas Range Dimensions (in inches)
Model JGSS05**



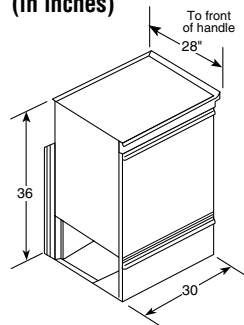
Installation Information: Before installing, consult installation instructions [Pub. No. 49-8751 (JGSS05)] packed with product for current dimensional data.

30" Slide-In Downdraft Ranges

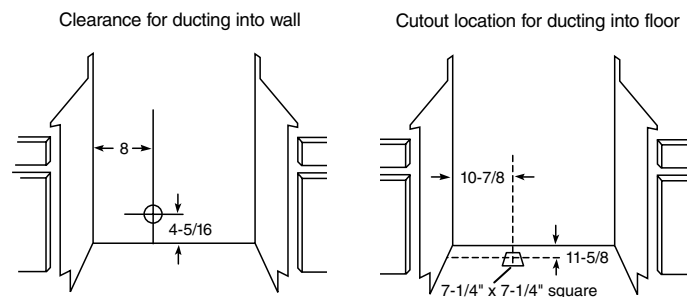
	GE
	JSP69WV JSP69BV
Features	
Self-cleaning oven	•
Automatic self-clean oven door lock	•
Oven racks	2
Porcelain-enameled modular cooktop	•
Electronic digital clock and timer	•
Delay Bake option	•
Preheat signal	•
Electronic oven control	•
Downdraft venting	•
Two-speed exhaust fan	•
Interior oven light	•
Storage drawer (1/2 depth)	•
Broiler pan with grid	•
Appearance	
Color appearance*	— WW — BB
Glass oven door	•
Oven door with window	•
Designer-style handle	•
Weight & Dimensions	
Overall oven interior dimensions (WxHxD in inches)	23 x 16 x 17
Approximate shipping wt. (lbs.)	171
Power/Ratings	
KW rating @ 240V	14.0
208V	Not Available
Amps @ 240V	40
208V	—

*WW = White on white, BB = Black on black.
Note: (Shipped with grill module) Optional plug-in modules available.

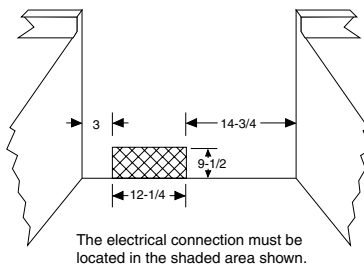
Range Dimensions (in inches)



Downdraft Installation Dimensions (in inches)

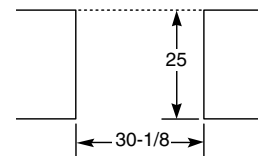


Receptacle Location (in inches)



Receptacle Locations: For all 30" Slide-In Ranges locally approved flexible service cord or conduit must be used because terminals are not accessible after range installation. See shaded area in drawing for location of electrical outlet box. Recommended outlet locations allow range to be installed directly against rear wall.

Counter Cutout Dimensions (in inches)



Note: 30" ranges conform to U.L. requirements for 0" spacing from walls below countertops. However some kitchen cabinet finishes can be damaged by heat from the heating elements. It is recommended that a clearance of at least 1-1/4" be maintained to adjacent walls. Where varnished wood or plastic film finishes are used, a minimum clearance of 6" should be maintained.

Optional Modules (Available at additional cost)

- Radiant Module—JXGR63B
- Griddle Accessory—JXGL90
- Grill Module—JXGG50
- Coil Modules
- JXGC53W—White on white
- JXGC53B—Black on black

Installation Information: Before installing, consult installation instructions [Pub. No. 49-8643 (JSP69WV/69BV)] packed with product for current dimensional data.

30" Drop-In Electric Ranges

	GE Profile Performance™	GE Profile™	GE		
	JD966SD JD966TD JD966WD JD966CD JD966BD	JDP46WD JDP46CD JDP46BD	JDP39WW JDP39BW	JDP36BW	JDS26BW
Features					
Self-clean oven w/Delay Clean option	●	●	●	●	Standard Clean
Variable cleaning time	●	●	●	●	
Automatic self-clean oven door lock	●	●	●	●	
Oven shelves	3 Heavy-Duty	2	2	2	2
Glass ceramic cooktop	Patterned Black Patterned White Patterned White Patterned Bisque Patterned Black	Patterned White Patterned Bisque Patterned Black	White Porc.-Enam. Black Porc.-Enam.	White or Almond Porc.-Enam.	White or Almond Porc.-Enam.
Lift-up overhanging cooktop					
Dual 6"/9" heating element	1 Ribbon(2500W)	1 Ribbon(2500W)			
8" heating elements		2 Ribbon (2000W)	2 Plug-in	2 Plug-in	2 Plug-in
7" heating elements	2 Ribbon (1800W)		2 Plug-in	2 Plug-in	2 Plug-in
Bridge element	1 Ribbon (800W)				
Total wattage	4400W				
6" heating elements	1 Ribbon (1500W)	1 Ribbon (1500W)	2 Plug-in	2 Plug-in	2 Plug-in
Warming zone	1 (120W)				
Infinite heat controls	●	●	●	●	●
Convection bake	●				
Convection roast	●				
Removable one-piece drip bowls			Chrome Black Porc.-Enam.	Chrome	Chrome
SmartSet Controls	●	●	●	●	●
Temperature display	●	●	●	●	●
Start pad	●	●	●	●	●
Delay Bake option w/Cook & Hold	●	●	●	●	●
C° or F° programmable	●	●	●	●	●
Audible preheat signal	●	●	●	●	●
Auto oven shut-off w/override	●	●	●	●	●
Control lock capability	●	●	●	●	●
Electronic clock and kitchen timer	●	●	●	●	●
Automatic meat thermometer	●				
Hot surface indicator lights	4 + Warmer	4			
Heating element "ON" indicator light	●	●	●	●	●
Interior oven light	Halogen	●			
Broiler pan with grid	●	●	●	●	●
Roasting rack	●				
Appearance					
Color appearance*	SS WW WW CC BB Black White White Bisque Black	WW CC BB White Bisque Black	WW BB White Black	WH/AD Black	WH/AD Black
Frameless glass oven door					
Oven door with window	Big View	Big View	●	●	●
Lift-off oven door	●	●	●	●	●
Designer-style handle	Integrated	Integrated	●	●	●
Weights & Dimensions					
Overall oven interior (WxHxD in inches)	24 x 17-3/8 x 15-3/4	24 x 17-3/8 x 17-7/8	← 22-3/4 x 15-3/4 x 17 →		
Approx. shipping weight (lbs.)	170	170	144	144	128
Power/Ratings					
Convection Wattage	2500				
Broiler/Bake Wattage	3600/3400				
12KW rating @ 240V	12.1	11.2	11.6	11.6	11.6
208V	9.1	8.4	8.7	8.7	8.7
Amps @ 240V	50	50	40	40	40
208V	40	40	40	40	40

*SS = Stainless Steel, WW = White on white, CC = Bisque, BB = Black on black, WH = White, AD = Almond.

Optional Kits For JD966/JDP46 Electric Ranges (Available At Additional Cost)

Maintop Filler

(Fills gap between cooktop and wall when unit is installed in 30" free-standing cutout)

JXS66WW—White
JXS66CC—Bisque
JXS66BB—Black

Accessory Backguards

(Attaches to the back of range as a backguard when unit is installed in 30" free-standing cutout)

JXS39SS—Stainless
JXS36WW—White
JXS36CC—Bisque
JXS36BB—Black

Lower Trim Kits

(When a drop-in is installed in an existing cutout greater than 26.75 inches from the counter to the cabinet cross-rail, a lower trim kit should be used to fill the gap at the bottom of the range)

JXS96WW—White
JXS96CC—Bisque
JXS96BB—Black

Installation Information: Before installing, consult installation instructions (Pub. No. 31-10427) packed with product for current dimensional data.

Note: Cabinets installed adjacent to drop-in electric ranges must have an adhesion spec of at least 194°F temperature rating.

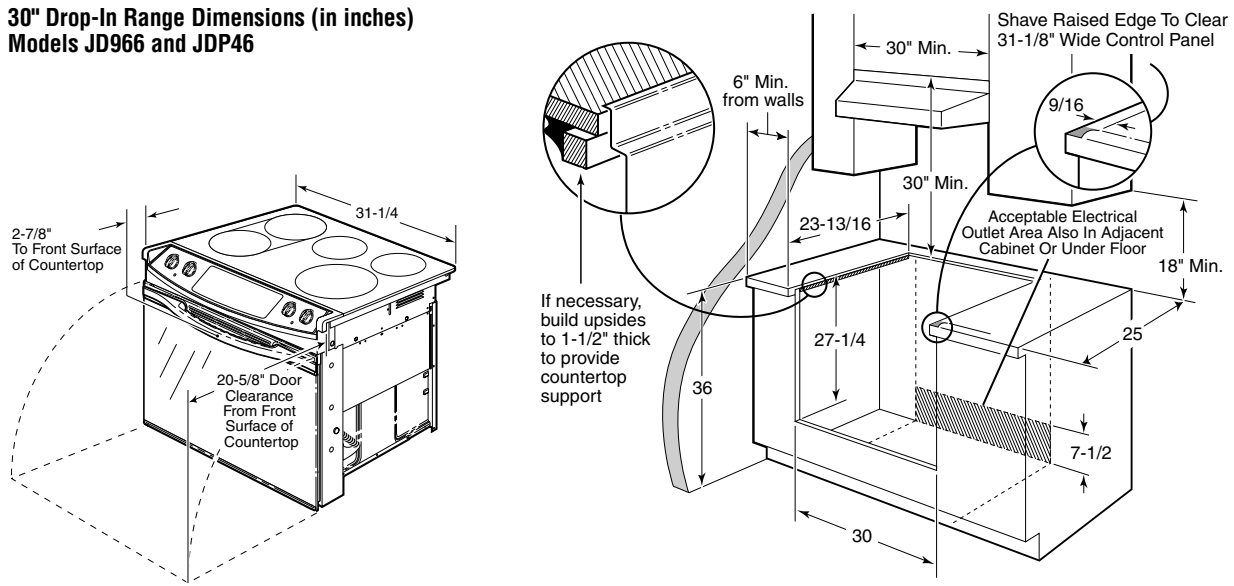
Note: All 30" Drop-In Radiant Ranges conform to U.L. requirements for 0" spacing from range to adjacent walls below countertop. To reduce possibility of scorching the side walls above the countertop when no load is present on burners, it is recommended that a minimum 6" spacing from adjacent side wall be allowed for possible extended high-heat element operation.

IMPORTANT: 30" DROP-IN RANGES ARE DESIGNED TO HANG FROM THE COUNTERTOP. IT DOES NOT REST ON THE FLOOR. FOR INSTALLATION ALTERNATIVES, REFER TO INSTALLATION INSTRUCTIONS PACKED WITH PRODUCT.

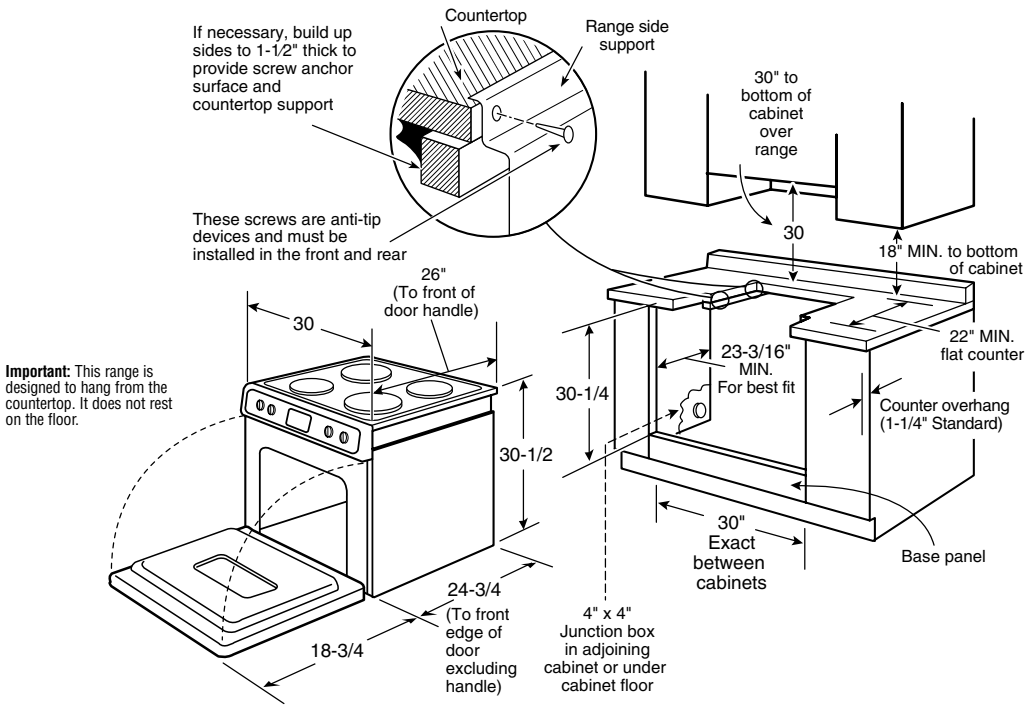


All GE ranges are equipped with an Anti-Tip device. The installation of this device is an important, required step in the installation of the range.

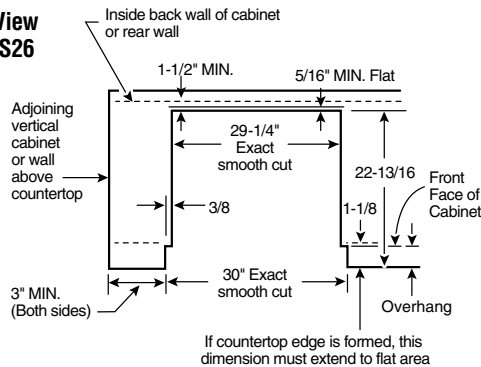
**30" Drop-In Range Dimensions (in inches)
Models JD966 and JDP46**



**30" Drop-In Range Dimensions (in inches)
Models JDP39/36 and JDS26**



**Countertop Cutout—Top View
Models JDP39/36 and JDS26**



See page 156 for warranty information.

Refrigeration

Cooking Products

Microwave Ovens

Dishwashers

Clothes Care

Water Systems

Air Conditioning

Spacemaker™ 27" Drop-In Electric Ranges

Features	GE Profile™	GE	
	JMP31WA	JMP28BA	JMS08BA
Oven cleaning	Self-Clean	Self-Clean	Standard Clean
Variable cleaning time	●	●	
Automatic self-clean oven door lock	●	●	
Oven shelves	2	2	2
Lift-up overhanging cooktop	White Porcelain-Enameled	White or Almond Porcelain-Enameled	White or Almond Porcelain-Enameled
8" heating elements	1	1	1
6" heating elements	3	3	3
Plug-in Calrod® heating elements	●	●	●
Infinite heat controls	●	●	●
Removable one-piece drip bowls	Chrome	Chrome	Chrome
Electronic clock and kitchen timer	●	●	●
Delay Bake option	●	●	●
Auto oven shut-off	●	●	●
Electronic oven control	●	●	●
Heating element "ON" indicator light	●	●	●
Interior oven light	●	●	●
Broiler pan with grid	●	●	●
Appearance			
Color appearance*	WW	WH/AD	WH/AD
Frameless oven door	White Glass	Black Glass	Black Glass
Oven door with window	Big View	Big View	Big View
Lift-off oven door	●	●	●
Designer-style handle	Sure Grip	●	●
Weights & Dimensions			
Overall oven interior dimensions (WxHxD in inches)	19 x 15 x 18		
Approx. shipping weight (lbs.)	119	119	119
Power/Ratings			
KW rating @ 240V	9.8	9.8	10.1
	208V	7.3	7.6
Amps @ 240V	40	40	40
	208V	40	40

*WW = White on white, WH = White, AD = Almond.

Optional Backguard

(Available at additional cost)

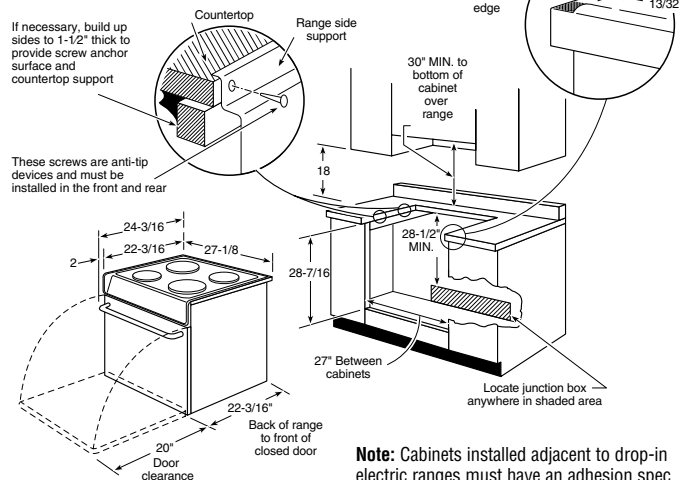
JX27RBK = Black
JX27RWL = White
JX27RAD = Almond

Note: All 27" Drop-In Electric Ranges conform to U.L. requirements for minimum spacing between range and side wall below countertop.

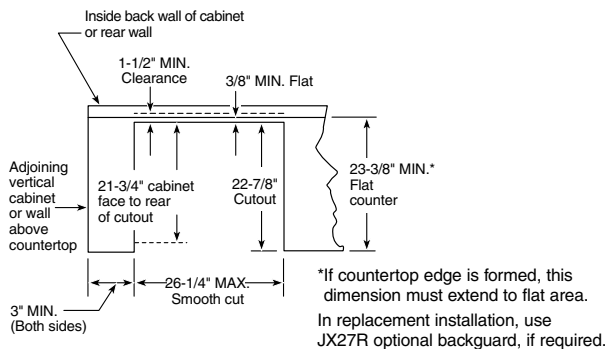
Installation Information: Before installing, consult installation instructions (Pub. No. 31-10116) packed with product for current dimensional data.

27" Drop-In Range Dimensions (in inches)

Important: This range is designed to hang from the countertop. It does not rest on the floor.



Countertop Cutout—Top View



Installation/Specifications for 30" Free-Standing CleanDesign Electric Ranges

Cabinet Dimensions (in inches)

Model	A	B	C*	D
JB965SC	29-7/8	46-1/2	25-3/8	47-5/8
JB960TB/WB/CB/AB/BB	29-7/8	46-1/2	25-3/8	47-5/8
JB940WB/CB/AB/BB	29-7/8	46-1/2	25-3/8	47-5/8
JBP85WB/CB/BB	29-7/8	46-1/2	25-3/8	47-5/8
JBP79WB/CB/AB/BB	29-7/8	46-1/2	25-3/8	47-5/8
JBP78WB/AB/BB	29-7/8	44-7/16	25-3/8	47-5/8
JBP66WB/AB/BB	29-7/8	44-7/16	25-3/8	47-5/8
JBP65WC	29-7/8	44-7/16	25-3/8	47-5/8
JBP64WB/BB	29-7/8	44-7/16	25-3/8	47-5/8

*Dimension from wall to front of closed oven door handle is 28-7/8" on model JB970; 27-3/8" on models JB960/940, JBP85/79; and 27-3/4" on models JBP78/66/65/64.

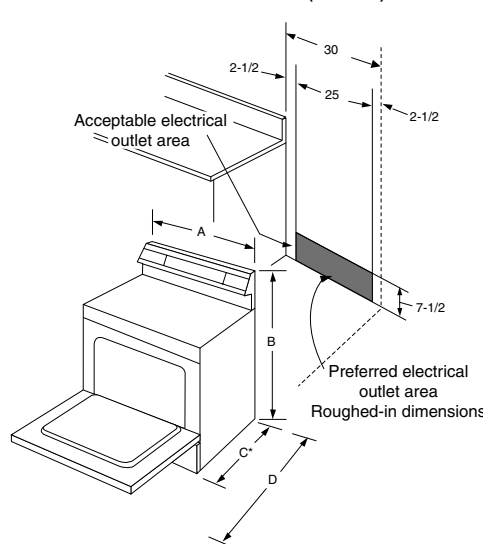
Note: Conforms to U.L. requirements for 0" spacing for adjacent walls below countertops. To reduce possibility of scorching of walls, it is recommended a minimum of 1-1/2" spacing be allowed from adjacent side walls to allow for possible extended, high-heat, no-load heating element operation.

Installation Information:

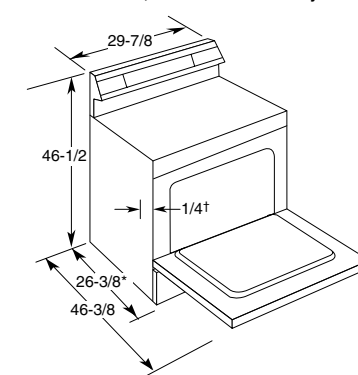
Before installing, consult installation instructions packed with range for current dimensional data.

Receptacle Locations: For 30" Free-Standing Ranges locally approved flexible service cord or conduit must be used because terminals are not accessible after range installation. See shaded area drawing for location of electrical outlet box. Recommended outlet locations allow range to be installed directly against wall.

Dimensions and Installation Information (in inches)

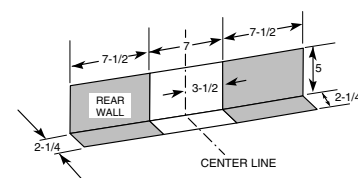


Dimensions and Installation Information (in inches) for Models JBP63, JBP60 and JBS61 only



†The range may be placed with a 0" clearance (flush) at the back wall and side walls if the range side trims extend beyond the cabinet fronts at least 1/4". Self-clean models only.

*Dimension from wall to front of closed oven door handle is 27-1/2".



All GE ranges are equipped with an Anti-Tip device. The installation of this device is an important, required step in the installation of the range.

30" Free-Standing CleanDesign Electric Ranges

Features	GE Profile Performance Series™			GE Profile™		GE						
	JB965SC	JB960TB JB960WB JB960CB JB960AB JB960BB	JB940WB JB940CB JB940AB JB940BB	JBP85WB JBP85CB JBP85BB	JBP79WB JBP79CB JBP79AB JBP79BB	JBP78WB JBP78AB JBP78BB	JBP66WB JBP66AB JBP66BB	JBP65WC	JBP64WB JBP64BB	JBP61WC	JBP60BC	JBS61WC JBS61BC
Self-cleaning oven	Convection	Convection	Convection	Convection	●	●	●	●	●	●	●	Standard
Self-clean latch	Auto	Auto	Auto	Auto	Auto	●	●	●	●	●	●	
Oven capacity (cu. ft.)	4.5	4.5	4.5	4.5	5.0	5.0	5.0	5.0	5.0	5.0	5.0	5.0
CleanDesign Oven Interior	●	●	●									
Oven shelves	3 (1 off-set)	3 (1 off-set)	3 (1 off-set)	3	2	2	2	2	2	2	2	2
Patterned glass-ceramic cooktop	Black	True White White Bisque Almond Black	White Bisque Almond Black	White Bisque Black	White Bisque Almond Black	White Almond Black	White Almond Black	White	White Black	White	White	White Black
One-piece upswept cooktop	●	●	●	●	●	●	●	●	●	●	●	●
Dual 6/9" heating element	1 Ribbon (1000/2500W)	1 Ribbon (1000/2500W)	1 Ribbon (1000/2500W)	1 Ribbon (1000/2500W)	1 Ribbon (1000/2500W)	1 Ribbon (1000/2500W)						
8" heating elements			1 Ribbon (2000W)	1 Ribbon (2000W)	1 Ribbon (2000W)	1 Ribbon (2000W)	2 Ribbon (2000W)	2 Ribbon (2000W)	2 Ribbon (2000W)	2 Ribbon (2000W)	2 Ribbon (2000W)	2 Ribbon (2000W)
7" heating element												
Bridge element	1 (800W)	1 (800W)										
Total wattage	4400	4400										
6" heating elements	1 Ribbon (1500W)	1 Ribbon (1500W)	2 Ribbon (1500W)	2 Ribbon (1500W)	2 Ribbon (1500W)	2 Ribbon (1500W)	2 Ribbon (1500W)	2 Ribbon (1500W)	2 Ribbon (1500W)	2 Ribbon (1500W)	2 Ribbon (1500W)	2 Ribbon (1500W)
Warming option	(75W)	(75W)	(75W)	(75W)	(75W)	(75W)						
Warming zone							1 (120W)					
Infinite heat controls	●	●	●	●	●	●	●	●	●	●	●	●
TrueTemp™ System	●	●	●	●	●	●	●	●	●	●	●	●
SmartLogic™ controls	●	●	●	●	●	●	●	●	●	●	●	●
Six-pass power bake element	●	●	●	●	●	●	●	●	●	●	●	●
Convection Bake	●	●	●	●	●	●	●	●	●	●	●	●
Convection Roast	●	●	●	●	●	●	●	●	●	●	●	●
Convenience Controls	●	●	●	●	●	●	●	●	●	●	●	●
QuickSet oven controls	QuickSet V	QuickSet V	QuickSet V	QuickSet V	QuickSet IV	QuickSet III	QuickSet III	QuickSet II	QuickSet II	QuickSet II	QuickSet II	QuickSet II
Digital temperature display	●	●	●	●	●	●	●	●	●	●	●	●
Oven function icons	●	●	●	●	●	●	●	●	●	●	●	●
Glass touch controls	●	●	●	●	●	●	●	●	●	●	●	●
Digipad numeric entry	●	●	●	●	●	●	●	●	●	●	●	●
Convection conversion	●	●	●	●	●	●	●	●	●	●	●	●
Delay bake	●	●	●	●	●	●	●	●	●	●	●	●
Oven light pad	●	●	●	●	●	●	●	●	●	●	●	●
Control lock capability	●	●	●	●	●	●	●	●	●	●	●	●
Start pad	●	●	●	●	●	●	●	●	●	●	●	●
Self-clean cool-down time display	●	●	●	●	●	●	●	●	●	●	●	●
Auto self-clean	●	●	●	●	●	●	●	●	●	●	●	●
Delay clean option	●	●	●	●	●	●	●	●	●	●	●	●
Auto oven shut-off	w/override	w/override	w/override	w/override	w/override	w/override	w/override	w/override	w/override	w/override	w/override	w/override
Audible preheat signal	●	●	●	●	●	●	●	●	●	●	●	●
Dual element bake	●	●	●	●	●	●	●	●	●	●	●	●
Automatic meat thermometer	●	●	●	●	●	●	●	●	●	●	●	●
Hot surface lights	●	●	●	●	●	●	●	●	●	●	●	●
Oven "ON" light	●	●	●	●	●	●	●	●	●	●	●	●
Self-clean cycle light	●	●	●	●	●	●	●	●	●	●	●	●
Interior oven light	Auto/Pad	Auto/Pad	Auto/Pad	Auto/Pad	Auto/Pad	Switch	Switch	Switch	Switch	Switch	Switch	Switch
Full-width fluorescent cooktop light	●	●	●	●	●	●	●	●	●	●	●	●
Storage drawer	Stainless steel	White White Bisque Almond Black	White Bisque Almond Black	White Bisque Black	White Bisque Almond Black	White Almond Black	White Almond CM*	White	CM*	White	White	White CM*
Broiler pan/grid	●	●	●	●	●	●	●	●	●	●	●	●
Roasting rack	●	●	●	●	●	●	●	●	●	●	●	●
Appearance												
Color appearance*	SS	WW WW CC AA BB	WW CC AA BB	WW CC BB	WW CC AA BB	WW AA BB	WW AA WH/AD	WW	WW WH/AD	WW	WH	WW WH/AD
Frameless glass oven door	Stainless steel	White White Bisque Almond Black	White Bisque Almond Black	White Bisque Black	White Bisque Almond Black	White Almond Black	White Almond Black	White	White Black	White	Black	White Black
Oven door with window	Big View	Big View	Big View	Big View	Big View	Big View	●	●	●	●	●	●
Designer-style handle	Sure Grip	Sure Grip	Sure Grip	Sure Grip	Sure Grip	●	●	●	●	●	●	●
Weights & Dimensions												
Overall oven interior dimensions (WxHxD in inches)	← 24-1/4 x 19 x 17 →				← 24-1/4 x 19 x 19 →				← 23 x 16 x 17-3/4 →			
Approx. ship. wt. (lbs.)	210	206	206	205	198	198	175	174	174	174	165	155
Power/Ratings												
KW rating @ 240V	12.4	12.4	11.5	11.5	11.0	11.0	10.5	10.5	10.5	10.5	10.5	10.5
208V	9.3	9.3	8.6	8.6	8.3	8.3	7.9	7.9	7.9	7.9	7.9	7.9
Accessories												
Cooktop cleaning creme & scraper	●	●	●	●	●	●	●	●	●	●	●	●

*SS = Stainless steel, WW = White on white, CC = Bisque, AA = Almond on almond, BB = Black on black, WH = White, AD = Almond, CM = Color-Matched indicates color of drawer matches range cooktop (either white or almond).

Refrigeration
Cooking Products
Microwave Ovens
Dishwashers
Clothes Care
Water Systems
Air Conditioning

30" Free-Standing QuickClean™ Electric Ranges

Features	GE Profile™	GE								
	JBP48WB JBP48AB JBP48BB	JBP35WB JBP35BB	JBP30WB JBP30AB JBP30BB	JBP24WB JBP24BB	JBP19BC	JBS27WC JBS27AC JBS27BC	JBS26C	JBS07C	JBS05Y	JBS03BC JBS03C
Oven cleaning	Self-Clean	Self-Clean	Self-Clean	Self-Clean	Self-Clean	Standard	Standard	Standard	Standard	Standard
Oven capacity (cu. ft.)	5.0	5.0	5.0	5.0	3.7	5.0	5.0	5.0	3.7	5.0
Oven shelves	2	2	2	2	1	2	2	2	2	2
Upswept porcelain-enameled cooktop	•	•	•	•	•	•	•	•		•
Clean-Well™ Cooktop System	•	•	•	•	•	•	•	•		•
Lift-up cooktop w/dual support rods	•	•	•	•	•	•	•	•		•
8" heating elements	2 (6 turns)	2 (6 turns)	2 (6 turns)	2 (5 turns)	1 (5 turns)	2 (5 turns)	2 (4 turns)	1 (5 turns)	1 (6 turns)	1 (5 turns)
6" heating elements	2 (5 turns)	2 (5 turns)	2 (5 turns)	2 (4 turns)	3 (4 turns)	2 (4 turns)	2 (3 turns)	3 (4 turns)	3 (5 turns)	3 (4 turns)
Warming option	•									
Infinite heat controls	•	•	•	•	•	•	•	•	•	•
Plug-in Calrod® heating elements	•	•	•	•	•	•	•	•		•
Removable 1-piece drip bowls	Grey Black Black	Black	Grey Black Black	Chrome	Chrome	Chrome	Chrome	Chrome	Chrome	Chrome
TrueTemp™ System	•	•	•	•						
SmartLogic™ controls	•	•	•							
Six-pass power bake element	•	•	•							
Convenience controls	•	•	•	•						
QuickSet oven controls	QuickSet IV	QuickSet III	QuickSet III	QuickSet II	QuickSet I					
Digital temperature display	•	•	•	•						
Electronic oven controls	•	•	•	•	•					
Auto oven shut-off	w/override	w/override	w/override	w/override						
Control lock capability	•									
Start pad	•									
Delay clean option	•	•	•							
Auto self-clean	•	•	•	•	•					
Self-clean cool down display	•	•	•	•						
Audible preheat signal	•	•	•	•						
Clock and minute timer	•	•	•	•		•	•			
Dual element bake	•	•	•	•	•	•	•	•	•	•
Heating element "ON" indicator light	•	•	•	•	•	•	•	•	•	•
Interior oven light	Auto/Switch	Switch	Switch	Switch		Switch	Switch	Auto/Switch	Switch	
Preheated oven light	in display	•	•	•	•					
Removable full-width storage drawer	White Almond Black	CM*	White Almond CM*	White CM*	White	White Almond CM*	CM*	White	CM*	CM*
Broiler pan with grid	•	•	•	•	•	•	•	•	•	•
Appearance										
Color appearance*	WW AA BB	WW WH/AD	WW AA WH/AD	WW WH/AD	WH	WW AA WH/AD	WH/AD	WW	WH/AD	WH/AD
Frameless oven door*	WG AG BG	BG	WG AG BG	WG BG	BG	WG AG BG	CM	White	CM	BG CM
Oven door with window	Big View	Big View	•	•	•	•	•	•	•	•
Removable oven door	•	•	•	•	•	•	•	•	•	•
Designer-style handle	Sure Grip	•	•	•	•	•	•	•	Visor	Visor
Textured steel side panels	•	•	•	•	•	•	•	•	•	•
Weights & Dimensions										
Overall oven interior dimensions (WxHxD in inches)	← 24-1/4 x 19 x 19 →				23 x 16 x 17-3/4	← 23-3/4 x 19 x 18-1/2 →			22-3/4 x 15-3/4 x 17	23-3/4 x 19 x 18-1/2
Approx. shipping weight (lbs.)	176	173	170	170	141	158	159	141	157	154
Power/Ratings										
KW rating @ 240V	11.7	11.7	11.7	11.7	9.7	12.6	11.1	11.5	9.3	11.4
208V	8.8	8.8	8.8	8.8	7.3	9.9	8.8	9.1	6.9	9.0

*WW = White on white, AA = Almond on almond, BB = Black on black, WH = White, AD = Almond, CM = Color-Matched indicates color of oven door or storage drawer matches range cooktop (either white or almond), WG = White Glass, AG = Almond Glass, BG = Black Glass.

Warranty Information

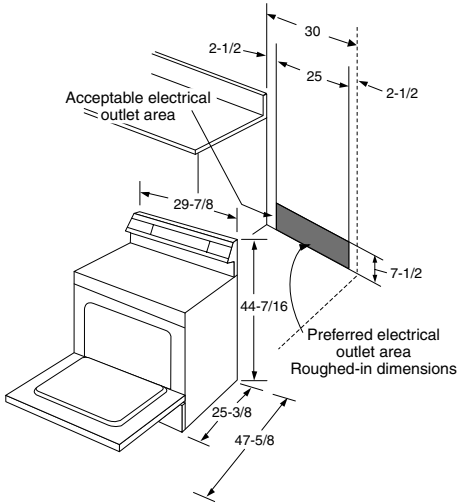
Full one-year warranty (parts and labor at no additional charge) applies to the entire range.



All GE ranges are equipped with an Anti-Tip device. The installation of this device is an important, required step in the installation of the range.

30" Free-Standing QuickClean™ Electric Ranges (continued)

Dimensions and Installation Information (in inches)
for models JBP48/35/30/24



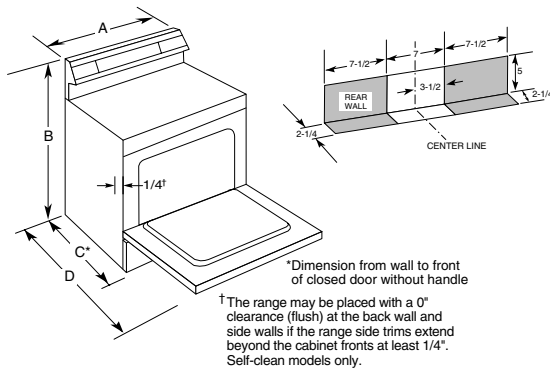
Note: 30" ranges conform to U.L. requirements for 0" spacing from adjacent walls below countertops. To reduce possible scorching of walls, engineering recommends a minimum of 1-1/2" spacing to allow for possible extended, high heat, no-load heating element operation.

Receptacle Locations:

Locally approved flexible service cord or conduit must be used because terminals are not accessible after range installation. See shaded area in drawing for location of electrical outlet box. Recommended outlet locations allow range to be installed directly against wall.

Installation Information: Before installing, consult installation instructions packed with product for current dimensional data.

Dimensions and Installation Information (in inches)
for models JBP19 and JBS27/26/07/05/03.



Cabinet Dimensions (in inches)

Model	A	B	C*	D
JBP19BC	29-7/8	46-1/2	26-3/8	46-3/8
JBS27WC/AC/BC	29-7/8	46-1/2	26-3/8	46-3/8
JBS26C	29-7/8	46-1/2	26-1/4	46-1/4
JBS07C	29-7/8	46-1/2	26-1/4	46-1/4
JBS05Y	29-7/8	44-5/8	25-5/16	45-1/2
JBS03BC	29-7/8	46-1/2	26-3/8	46-3/8
JBS03C	29-7/8	46-1/2	26-1/4	46-1/4

*Dimension from wall to front of closed oven door handle is 28-1/2" on models JBP19 and JBS27/03BC; 28-3/8" on JBS26/07; 28" on JBS03C; 27-1/8" on JBS05Y.

40" Electric Ranges

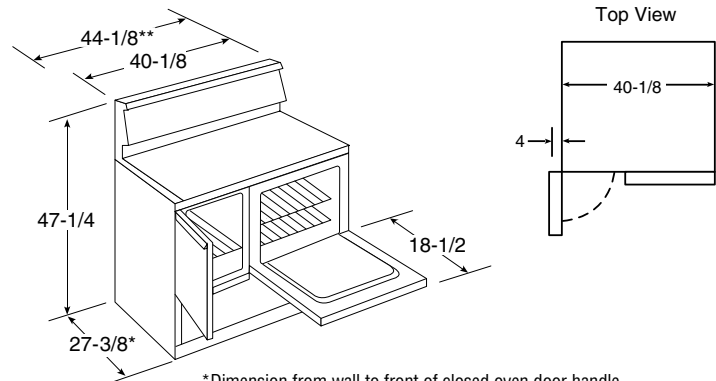
Features	GE	
	JCP67Y	JCS57Y
Oven cleaning	Master Oven—Self-Clean Companion Oven—Standard	Standard
Oven shelves	Master Oven—2 Companion Oven—1	Master Oven—2
8" heating elements	2	2
6" heating elements	2	2
Removable drip bowls	One-Piece Chrome	One-Piece Chrome
Clock and minute timer	Electronic	Electronic
Automatic oven timer	Master	
Heating element "ON" indicator light	●	●
Interior oven light	●	●
Full-width fluorescent cooktop night light	●	●
Oven cycling light	2	●
Storage drawer	●	●
Broiler pan with grid	Master Oven—1 Companion Oven—1	Master Oven—1
Appearance		
Color appearance*	WW	WW
Oven door with window	Master Oven	●
Removable oven door	Master	●
Weights & Dimensions		
Overall oven interior dimensions (WxHxD in inches)	Master Oven— 22-5/8 x 15-7/8 x 18-1/8 Companion Oven— 9-9/16 x 16 x 19-1/2	22-5/8 x 15-7/8 x 18-1/8
Approx. shipping weight (lbs.)	224	197
Power/Ratings		
KW rating @ 240V	14.2	12.6
208V	10.7	9.5

*WW = White on white.

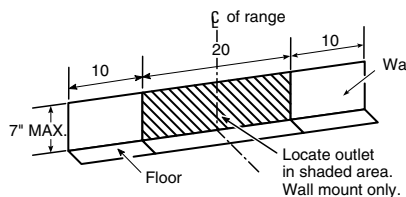
Warranty Information

Full one-year warranty (parts and labor at no additional charge) applies to the entire range. See written warranty for complete details.

40" Range Dimensions and Installation Information (in inches)



*Dimension from wall to front of closed oven door handle.
**Includes required 4" door swing allowance for side-hinged oven or storage compartment door.



Receptacle Locations: For all 40" Free-Standing Ranges locally approved flexible service cord or conduit must be used because terminals are not accessible after range installation. See shaded area in drawing for location of electrical outlet box. Recommended outlet locations allow range to be installed directly against rear wall.

See page 156 for warranty information.

Refrigeration

Cooking Products

Microwave Ovens

Dishwashers

Clothes Care

Water Systems

Air Conditioning

30" GE Spectra™ Self-Clean Gas Ranges

	GE Profile Performance™		GE Profile™			
	Sealed Burner Models					
	JGB920WEC JGB920CEC JGB920BEC	JGB910WEC JGB910CEC JGB910BEC	JGB90MEB	JGBP86WEB JGBP86CEB JGBP86AEB JGBP86BEB	JGBP85WEB JGBP85CEB JGBP85AEB JGBP85BEB	JGBP79WEB JGBP79CEB JGBP79AEB JGBP79BEB
Capacity						
Extra-large oven	•	•	•	•	•	•
Features						
Oven cleaning	Self-Clean	Self-Clean	Self-Clean	Self-Clean	Self-Clean	Self-Clean
Ceramic glass cooktop	•					
Cooktop burners	Sealed	Sealed	Sealed	Sealed	Sealed	Sealed
Maximum Output burner (Nat.)	(2) 12,000/ 1,600 BTU	(2) 12,000/ 1,000 BTU	(2) 12,000/ 1,000 BTU	(2) 12,000/ 1,000 BTU	(2) 12,000/ 1,000 BTU	(2) 12,000/ 1,000 BTU
Precise Simmer burner (Nat.)	(1) 5,200/950 BTU	(1) 5,000/600 BTU	(1) 5,000/600 BTU	(1) 5,000/600 BTU	(1) 5,000/600 BTU	(1) 5,000/600 BTU
All-purpose burners (Nat.)	(1) 9,500/1250 BTU	(1) 9,500/850 BTU	(1) 9,500/850 BTU	(1) 9,500/850 BTU	(1) 9,500/850 BTU	(1) 9,500/850 BTU
Warming Zone (120 Watts)	•					
Warming zone hot light	•					
Valves (degree of turn)	270	270	270	270	270	270
TrueTemp™ System	•	•	•	•	•	•
SmartLogic™ controls	•	•	•	•	•	•
Convection Bake	•	•				
Convection Roast	•	•				
QuickSet oven controls	QuickSet V	QuickSet V	QuickSet V	QuickSet V	QuickSet V	QuickSet IV
Auto Self-Clean	•	•	•	•	•	•
Electronic oven control	•	•	•	•	•	•
Hi/Low broil	•	•	•	•	•	•
Electronic clock and timer	•	•	•	•	•	•
Automatic oven timer	•	•	•	•	•	•
Audible preheat signal	•	•	•	•	•	•
Auto oven shut-off	•	•	•	•	•	•
One-piece upswept cooktop	Porc.-Enam.	Porc.-Enam.	Porc.-Enam.	Porc.-Enam.	Porc.-Enam.	Porc.-Enam.
Porcelain-enameled one-piece drip pans		Grey Taupe Black	Black	Grey Taupe Black Bisque	Grey Taupe Black Bisque	Grey Taupe Black Bisque
Removable square grates	Grey Hvy. Cast Bisque Hvy. Cast Black Hvy. Cast	Grey Hvy. Cast Bisque Hvy. Cast Black Hvy. Cast	Profes. Grates	Profes. Grates Grey Taupe Black Taupe	Grey Heavy Cast Taupe Heavy Cast Black Hvy. Cast Taupe Hvy. Cast	Grey Heavy Cast Taupe Heavy Cast Black Hvy. Cast Taupe Hvy. Cast
Ignition system	Electronic	Electronic	Electronic	Electronic	Electronic	Electronic
Oven racks	3	3	3	3	3	3
Six embossed rack positions	•	•	•	•	•	•
Extra-large broiler pan/grid	•	•	•	•	•	•
Scratch-resistant backguard	Glass	Glass	Brushed Chrome	Glass	Glass	Porc.-Enam.
Fluorescent backguard light	•	•	•	•	•	•
Interior oven light	•	•	•	•	•	•
Warming drawer	450 Watt	450 Watt	450 Watt	450 Watt	450 Watt	450 Watt
Infinite control	•	•	•	•	•	•
Temp. settings (lo, med, high)	150° - 220° F	150° - 220° F	150° - 220° F	150° - 220° F	150° - 220° F	150° - 220° F
Stainless steel insert	•	•	•	•	•	•
In-oven broiling	•	•	•	•	•	•
Appearance						
Color appearance*	WW CC BB	WW CC BB	BC	WW CC AA BB	WW CC AA BB	WW CC AA BB
Frameless removable oven door	White Glass Bisque Glass Almond Glass	White Glass Bisque Glass Almond Glass	Brushed Chrome	White Glass Bisque Glass Almond Glass Black Glass	White Glass Bisque Glass Almond Glass Black Glass	White Glass Bisque Glass Almond Glass Black Glass
Oven door with window	Big View	Big View	Big View	Big View	Big View	Big View
Designer-style handle	Sure Grip	Sure Grip	Professional-Style	Sure Grip	Sure Grip	Sure Grip
Designer-style control knobs	•	•	Professional-Style	•	•	•
Four leveling legs	•	•	•	•	•	•
Weights & Dimensions						
Overall oven interior dimensions (WxHxD in inches)	← 24 x 17 x 19 →					
Approx. shipping weight (lbs.)	246	225	230	220	220	210
Power/Ratings						
Top burners (000's BTU's) Nat/LP	(2) 12.0/11.0 (1) 5.2/5.2 (1) 9.5/8.5			(2) 12.0/11.0 (1) 5.0/5.0 (1) 9.5/9.5		
Oven/broiler burners (000's BTU's) Nat/LP				16.0/16.0 Oven 13.5/12.0 Broil		
Gas range electrical rating	← 120V, 60Hz, 5A →					
LP conversion kit (included)	•	•	•	•	•	•

*WW = White on white, CC = Bisque, AA = Almond on almond, BB = Black on black, BC = Brushed-Chrome.

Factory set for Natural Gas.
A set of LP orifices is included with each Spectra™ range for LP conversion.

Model	A	B	C*	D	E
JGB920WEC/CEC/BEC	30	47-3/4	26-1/4	46-3/8	36 ± 1/4
JGB910WEC/CEC/BEC	30	47-3/4	26-1/4	46-3/8	36 ± 1/4
JGBP90MEB	30	47-3/4	26-1/4	46-3/8	36 ± 1/4
JGBP86WEB/CEB/AEB/BEB	30	47-3/4	26-1/4	46-3/8	36 ± 1/4
JGBP85WEB/CEB/AEB/BEB	30	47-3/4	26-1/4	46-3/8	36 ± 1/4
JGBP79WEB/CEB/AEB/BEB	30	46-1/2	26-1/4	46-3/8	36 ± 1/4

*Dimension from wall to front of closed door handle is 29" on models JGB920/910, JGBP86/85/79 and 28-1/4" on model JGBP90.
25-1/4"—Depth to front edge of cooktop.

Optional Gas Range Accessory Drip Pans For Sealed and Standard Burner Models (Available at additional cost) To order these accessory drip pans, call toll-free 800-626-2002.

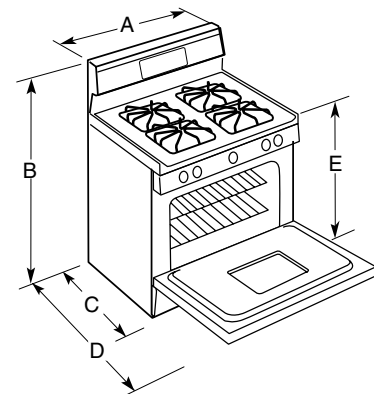
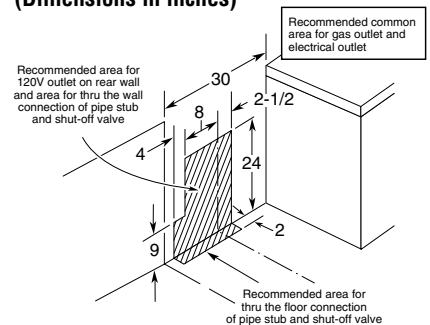
Optional Gas Range Wok Accessory (Available at additional cost)
JXWK = Wok holder accessory sits on top of maximum burner grate to hold a **round-bottom** wok.

Installation Information: Before installing, consult installation instructions packed with product for current dimensional data.



All GE ranges are equipped with an Anti-Tip device. The installation of this device is an important, required step in the installation of the range.

Installation Information (Dimensions in inches)



See page 156 for warranty information.

	GE					
	Sealed Burner Models				Standard Burner Models	
	JGBP35WEA JGBP35AEA JGBP35BEA	JGBP30WEA JGBP30AEA JGBP30BEA	JGBP28WEA JGBP28BEA	JGBP27BEA	JGBP26WEA JGBP26AEA JGBP26BEA	JGBP24BEA
Capacity						
Extra-large oven	•	•	•	•	•	•
Features						
Oven cleaning	Self-Clean	Self-Clean	Self-Clean	Self-Clean	Self-Clean	Self-Clean
Cooktop burners	Sealed	Sealed	Sealed	Sealed	Standard/Twin	Standard/Twin
Maximum Output burner (Nat.)	(1) 12,000/ 1,000 BTU	(1) 12,000/ 1,000 BTU				
Precise Simmer burner (Nat.)	(1) 5,000/ 600 BTU	(1) 5,000/ 600 BTU				
All-purpose burners (Nat.)	(2) 9,500/ 850 BTU	(2) 9,500/ 850 BTU	(4) 9,500/ 850 BTU	(4) 9,500/ 850 BTU	(4) 9,500/ 850 BTU	(4) 9,500/ 850 BTU
Valves (degree of turn)	270	270	140	140	270	270
TrueTemp™ System	•	•			•	
SmartLogic™ controls	•	•			•	
QuickSet oven controls	QuickSet IV	QuickSet III	QuickSet II	QuickSet II	QuickSet III	QuickSet II
Auto Self-Clean	•	•	•	•	•	•
Electronic oven control	•	•			•	
Hi/Low broil	•	•			•	
Electronic clock and timer	•	•	•	•	•	•
Automatic oven timer	•	•			•	
Audible preheat signal	•	•	•	•	•	•
Auto oven shut-off	•	•	•	•	•	•
One-piece upswept cooktop	Porc.-Enam.	Porc.-Enam.	Porc.-Enam.	Porc.-Enam.	Porc.-Enam.	Porc.-Enam.
Lift-up cooktop					•	•
Easy-clean subtop					Porc.-Enam.	Porc.-Enam.
Porcelain-enameled one-piece drip pans	Grey Taupe Black	Grey Taupe Black	Opt. Access.	Opt. Access.	Chrome Chrome Black	Opt. Access.
Removable square grates	Grey Medium Cast Taupe Medium Cast Black Med. Cast	Grey Deluxe Porc. Steel Taupe Deluxe Porc. Steel Black Deluxe Porc. Steel	Grey Std. Porc. Steel Black Std. Porc. Steel	Black Std. Porc. Steel	Grey Std. Porc. Steel Taupe Std. Porc. Steel Black Std. Porc. Steel	Black Std. Porc. Steel
Ignition system	Electronic	Electronic	Electronic	Electronic	Electronic	Electronic
Oven racks	2	2	2	2	2	2
Six embossed rack positions	•	•	•	•	•	•
Extra-large broiler pan/grid	•	•	•	•	•	•
Scratch-resistant backguard	Porc.-Enam.	Porc.-Enam.	Porc.-Enam.	Porc.-Enam.	Porc.-Enam.	Porc.-Enam.
Interior oven light	•	•	•	•	•	•
Storage drawer	•	•	•	•	•	•
In-oven broiling	•	•	•	•	•	•
Appearance						
Color appearance*	WW AA BB	WW AA WH/AD	WW WH/AD	WH/AD	WW AA WH/AD	WH/AD
Frameless removable oven door	White Glass Almond Glass Black Glass	White Glass Almond Glass Black Glass	White Glass Black Glass	Solid Black Glass	White Glass Almond Glass Black Glass	Solid Black Glass
Oven door with window	Big View	Big View	•	•	•	•
Designer-style handle	•	•	•	•	•	•
Four leveling legs	•	•	•	•	•	•
Weights & Dimensions						
Overall oven interior dimensions (WxHxD in inches)	← 24 x 17 x 19 →					
Approx. shipping weight (lbs.)	210	210	210	210	200	200
Power/Ratings						
Top burners (000's BTU's) Nat/LP	← (1) 12.0/11.0 (1) 5.0/5.0 →		← (4) 9.5/9.5 →		← (4) 9.0/8.0 →	
Oven/broiler burners (000's BTU's) Nat/LP	← 16.0/16.0 Oven 13.5/12.0 Broil →					
Gas range electrical rating	← 120V, 60Hz, 5A →					
LP conversion kit (included)	•	•	•	•	•	•

*WW = White on white, AA = Almond on almond, BB = Black on black, WH = White, AD = Almond. Factory set for Natural Gas. A set of LP orifices is included with each XL44™ range for LP conversion.

Model	A	B	C*	D	E
JGBP35WEA/AEA/BEA	30	46-1/2	26-1/4	46-3/8	36 ± 1/4
JGBP30WEA/AEA/BEA	30	46-1/2	26-1/4	46-3/8	36 ± 1/4
JGBP28WEA/BEA	30	46-1/2	26-1/4	46-3/8	36 ± 1/4
JGBP27BEA	30	46-1/2	26-1/4	46-3/8	36 ± 1/4
JGBP26WEA/AEA	30	46-1/2	26-1/4	46-3/8	36 ± 1/4
JGBP26BEA	30	46-1/2	26-1/4	46-3/8	36 ± 1/4
JGBP24BEA	30	46-1/2	26-1/4	46-3/8	36 ± 1/4

*Dimension from wall to front of closed door handle is 28-1/4. 25-1/4" - Depth to front edge of cooktop.

Optional Gas Range Accessory Drip Pans For Sealed and Standard Burner Models (Available at additional cost) To order these accessory drip pans, call toll-free 800-626-2002.

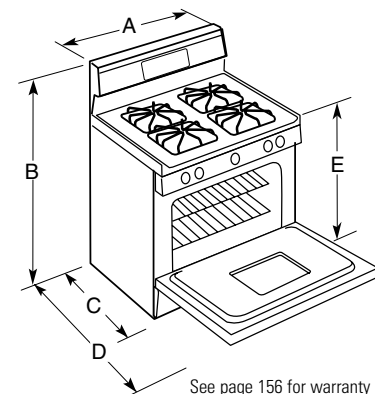
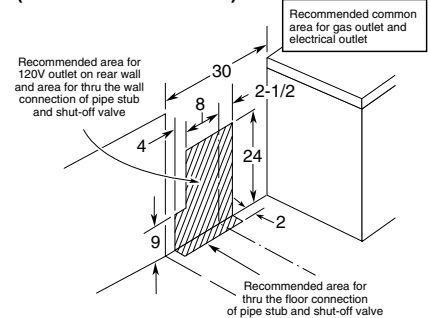
Optional Gas Range Wok Accessory (Available at additional cost) JXWK = Wok holder accessory sits on top of maximum burner grate to hold a **round-bottom** wok.

Installation Information: Before installing, consult installation instructions packed with product for current dimensional data.



All GE ranges are equipped with an Anti-Tip device. The installation of this device is an important, required step in the installation of the range.

Installation Information (Dimensions in inches)



See page 156 for warranty information.

30" Continuous and Standard Clean Gas Ranges

	GE											
	Sealed Burner Models			Standard Burner Models								
	JGBS23WEA JGBS23AEA JGBS23BEA	JGBS22BEA	JGBS21PEA	JGBC20BEA JGBS20BEA	JGBC20WEA JGBS20WEA	JGBC17PEA JGBS17PEA	JGBS15PEA	JGBS07PEA	JGBS04BEA JGBS04BPA	JGBS04PEA JGBS04PPA	JGBS03PPA	
Capacity												
Extra-large oven	•	•	•	•	•	•	•	•	•	•	•	•
Features												
Oven cleaning	Standard Clean	Standard Clean	Standard Clean	Cont. Clean Standard Clean	Cont. Clean Standard Clean	Cont. Clean Standard Clean	Standard Clean	Standard Clean	Standard Clean	Standard Clean	Standard Clean	Standard Clean
Cooktop burners	Sealed	Sealed	Sealed	Std./Twin	Std./Twin	Std./Twin	Std./Twin	Std./Twin	Std./Twin	Std./Twin	Std./Twin	Std./Twin
Maximum Output burner (Nat.)	(1) 12,000/ 1,000 BTU											
Precise Simmer burner (Nat.)	(1) 5,000/ 600 BTU											
All-purpose burners (Nat.)	(2) 9,500/ 850 BTU	(4) 9,500/ 850 BTU	(4) 9,500/ 850 BTU									
Valves (degree of turn)	270	140	140	140	140	140	140	140	140	140	140	140
Electronic clock and timer	•	•	•	•	•	•	•	•	•	•	•	•
Porcelain-enameled cooktop	One-Piece Upswept	One-Piece Upswept	One-Piece Upswept	One-Piece Upswept	One-Piece Upswept	One-Piece Upswept	One-Piece Upswept	•	•	•	•	•
Lift-up cooktop				•	•	•	•	•	•	•	•	•
Easy-clean porcelain-enameled subtop				•	•	•	•	•	•	•	•	•
One-piece drip pans	Grey Taupe Black	Opt. Access.	Opt. Access.	Opt. Access.	Opt. Access.	Opt. Access.	Opt. Access.	Opt. Access.	Opt. Access.	Opt. Access.	Opt. Access.	Opt. Access.
Removable square grates	Deluxe Porcelain Steel	Black Standard Porcelain Steel	Black Standard Porcelain Steel	Black Standard Porcelain Steel	Grey Standard Porcelain Steel	Black Standard Porcelain Steel	Black Standard Porcelain Steel	Grey Standard Porcelain Steel	Black Standard Porcelain Steel	Black Standard Porcelain Steel	1-Piece Wire	
Ignition system	Electronic	Electronic	Electronic	Electronic	Electronic	Electronic	Electronic	Electronic	Electronic Pilot †	Electronic Pilot †	Pilot †	Pilot †
Oven racks	2	2	1	2	2	2	2	2	2	2	2	2
Six embossed rack positions	•	•	•	•	•	•	•	•	•	•	•	•
Extra-large broiler pan/grid	•	•	•	•	•	•	•	•	•	•	•	•
Porcelain-enameled backguard	•	•	•	•	•	•	•	•	•	•	•	•
Interior oven light	•	•	•	•	•	•	•	•	•	•	•	•
Slide-out broiler drawer	•	•	•	•	•	•	Drop-Down	•	•	•	Drop-Down	•
Appearance												
Color appearance*	WW AA WH/AD	WH/AD	WH/AD	WH/AD	WW	WH/AD	WH/AD	WW	WH/AD	WH/AD	WH/AD	WH/AD
Frameless removable oven door	White Glass Almond Glass Black Glass	Black Glass	CM* Porc.-Enam.	Black Glass	White Glass	CM* Porcelain- Enameled	CM* Porcelain- Enameled	White Porcelain- Enameled	Solid Black Glass	CM* Porcelain- Enameled	CM* Porcelain- Enameled	CM* Porcelain- Enameled
Oven door with window	Big View	•	Chrome Visor	•	•	•	Chrome Visor	•	•	Chrome Visor	Chrome Visor	•
Designer-style handle	•	•	•	•	•	•	•	•	•	•	•	•
Four leveling legs	•	•	•	•	•	•	•	•	•	•	•	•
Weights & Dimensions												
Overall oven interior dimensions (WxHxD in inches)	← 24 x 17 x 19 →											
Approx. shipping weight (lbs.)	180	170	170	175	175	175	175	165	165	165	165	160
Power/Ratings												
Top burners (000's BTU's) Nat/LP	(1) 12.0/11.0 (1) 5.0/5.0 (2) 9.5/9.5	← (4) 9.5/9.5 →		← (4) 9.0/8.0 →								
Oven/broiler burners (000's BTU's) Nat/LP	← 18.0/16.5 →											
Gas range electrical rating**	← 120V, 60Hz., 5A →											
LP conversion kit (included)	•	•	•	•	•	•	•	•	•	•	•	•

*WW= White on white, AA = Almond on almond, WH = White, AD = Almond, CM = Color-Matched indicates color of oven door matches cooktop (either white or almond).

** Electrical rating not applicable to standing pilot models.

† JGBS04BPA, JGBS04PPA and JGBS03PPA have standing pilot ignition.

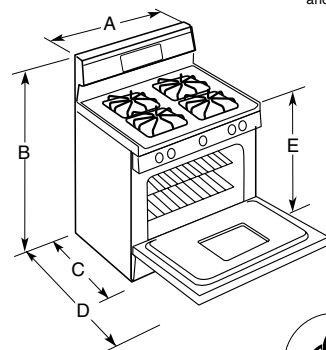
Factory set for Natural Gas. A set of LP orifices is included with each XL44™ range for LP conversion.

Note: Model JGBS03PPA does not have a flamespreader in broiler compartment.

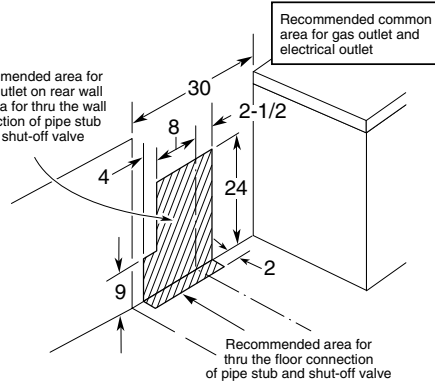
Model	A	B	C*	D	E
JGBS23WEA/AEA/BEA	30	46-1/2	26-1/4	46-3/8	36 ± 1/4
JGBS22BEA	30	46-1/2	26-1/4	46-3/8	36 ± 1/4
JGBS21PEA	30	46-1/2	26-1/4	46-3/8	36 ± 1/4
JGBC20BEA	30	46-1/2	26-1/4	46-3/8	36 ± 1/4
JGBS20BEA	30	46-1/2	26-1/4	46-3/8	36 ± 1/4
JGBC20WEA	30	46-1/2	26-1/4	46-3/8	36 ± 1/4
JGBS20WEA	30	46-1/2	26-1/4	46-3/8	36 ± 1/4
JGBC17PEA	30	46-1/2	26-1/4	46-1/4	36 ± 1/4
JGBS17PEA	30	46-1/2	26-1/4	46-1/4	36 ± 1/4
JGBS15PEA	30	46-1/2	26-1/4	46-1/4	36 ± 1/4
JGBS07PEA	30	45-1/2	26-1/4	46-1/4	36 ± 1/4
JGBS04BEA/BPA	30	45-1/2	26-1/4	46-3/8	36 ± 1/4
JGBS04PEA/PPA	30	45-1/2	25-5/16	46-1/4	36 ± 1/4
JGBS03PPA	30	40	25-5/16	46-1/4	36 ± 1/4

*Dimension from wall to front of closed door handle is 29". On models JGBS04 and JGBS03 the dimension is 27-7/16". 25-1/4"—Depth to front top edge of cooktop.

Installation Information (Dimensions in inches)



Recommended area for 120V outlet on rear wall and area for thru the wall connection of pipe stub and shut-off valve



Recommended area for thru the floor connection of pipe stub and shut-off valve



All GE ranges are equipped with an Anti-Tip device. The installation of this device is an important, required step in the installation of the range.

Hoods

	GE Profile™						GE			
	High Performance		Performance		Deluxe		Standard			
	30"	36"	JV636C	JV635C	JV536C	JV535C	JV347X	JV327X	JV337X	JN327X
Features										
Two-speed fan control					●	●		●	●	●
Three-speed fan control	with boost	with boost	with boost	with boost			●			
Vertical exhaust (CFM)	350	350	350	350	190	190	180	160	160	
Rear exhaust (CFM)	400	400	400	400	200	200	160		150	
Damper included (rectangular)	●	●	●	●	●	●	●		●	
Optional damper accessory (round)	JXDA23	JXDA23	JXDA23	JXDA23	JXDA23	JXDA23	JXDA22	JXDA22		
Sones rating:										
Top exhaust	4.0/7.0*	4.0/7.0*	4.0/7.0*	4.0/7.0*	4.0	4.0	8.0	8.0	8.0	
Rear exhaust	4.0/7.0*	4.0/7.0*	4.0/7.7*	4.0/7.7*	4.0	4.0	8.0		8.0	
Removable grease filters	2†	2†	2†	2†	2††	2††	Disposable 1-Pc. Filter†††	1†††	1†††	Disposable 1-Pc. Filter†††
Filter size (sq. in.)	207	207	171	171	171/207	171/207	90	90	90	90
Cooktop light(s)**	2	2	2	2	2	2	1	1	1	1
Night light position on light switch	●	●	●	●	●	●	●			
3-1/4" x 10" rectangular duct	●	●	●	●	●	●	Option		●	
7" round duct	●	●	●	●	●	●	Option	●		
Non-vented					●	●	Option			●
Appearance										
Color appearance***	SS	WW/BB	SS	WW/BB	SS	WW/CC/BB	WW/CC/AA/BB	W or A	W or A	W or A
Weights & Dimensions										
Approximate shipping weight (lbs.)	35	35	30	30	30	30	20	14	17	19
Power/Ratings										
Current rating amps @ 120V	2.5	2.5	2.5	2.5	1.4	1.4	2.5	2.5	2.5	2.5

*Top exhaust sones rating when in boost mode.

**Light bulbs not furnished.

***SS = Stainless steel, W = White, WW = White on white, CC = Bisque, A = Almond, AA = Almond on almond, BB = Black on black

†WB02X10713 (30") or WB02X10710 (36") removable grease filter is available for additional cost. Call toll free 800.626.2002. (Models JV666/665 and JV636/635)

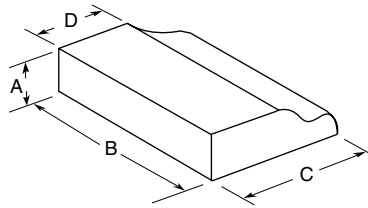
††WB02X10709 (30") or WB02X10706 (36") removable grease filter and WB02X10707 (30") or WB02X10708 (36") removable charcoal filter are available for additional cost.

Call toll free 800.626.2002. (Models JV566/565 and JV536/535)

†††WB02X9381 replacement grease filter and WB02X10700 replacement charcoal filter are available for additional cost. Call toll free 800.626.2002. (Models JV347/327/337 and JN327)

Dimensions (in inches)

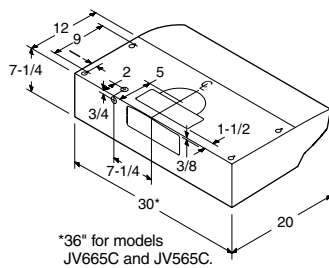
Model	A	B	C	D
JV666C/JV665C	7-1/4	35-7/8	20	12
JV636C/JV635C	7-1/4	29-7/8	20	12
JV536C/JV535C	7-1/4	29-7/8	20	12
JV566C/JV565C	7-1/4	35-7/8	20	12
JV347X	5-1/2	29-7/8	17-1/2	12
JV337X	5-1/2	29-7/8	17-1/2	12
JV327X	5-1/2	29-7/8	17-1/2	12
JN327X	5-1/2	29-7/8	17-1/2	12



Hood Dimensions (in inches)

1 Models: JV666C, JV665C, JV636C, JV635C, JV536C, JV566C and JV565C

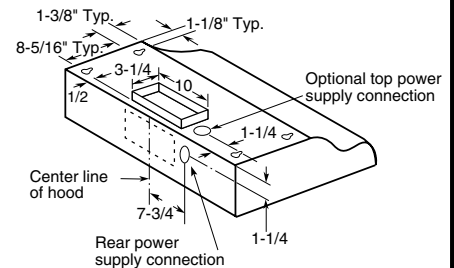
Exhaust outlet connects to 3-1/4" x 10" duct (vertically or horizontally) and 7" round (vertically). Includes rectangular damper and 7" round damper adapter.



*36" for models JV665C and JV565C.

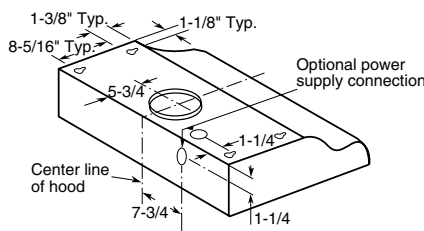
2 Models: JV347X* and JV337X

*JV347X—Refer to this drawing for rectangular exhaust option. Refer to drawing 3 for round exhaust option. Exhaust outlet connects to 3-1/4" x 10" rectangular duct. Vent top or rear. Includes rectangular damper.

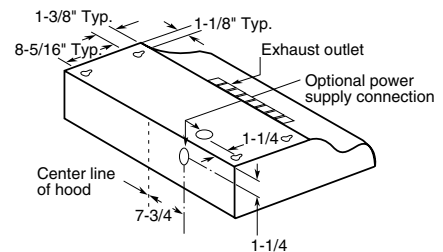


3 Models: JV347X* and JV327X

*JV347X—Refer to this drawing for round exhaust option. Refer to drawing 2 for rectangular exhaust option. Exhaust outlet connects to 7" diameter duct. Vent top only. Round damper accessory, JXDA22, available at additional cost.



4 Model: JN327X



Note: Before installing, consult installation instructions [Pub. No. 49-8646 (JV665/JV635/JV535/JV565); Pub. No. 49-8809 (JV337/327/347/JN327)]; packed with product for current dimensional data.

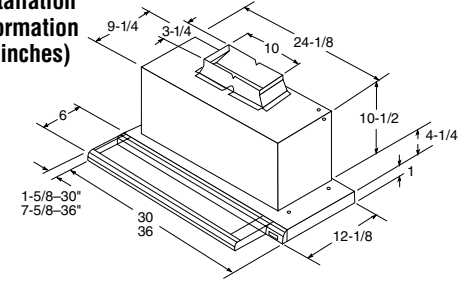


Slide-Out Hoods

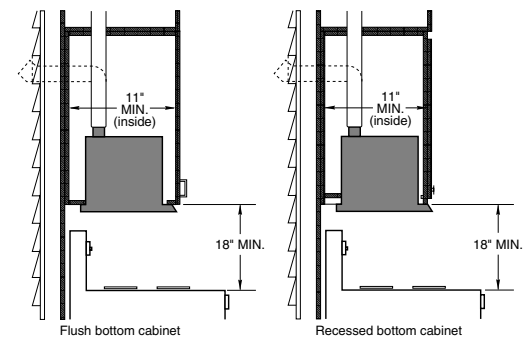
Features	GE Profile Performance Series™		GE Profile™					
	JV960SA	JV930SA	JV696S	JV695S	JV694S	JV396S	JV395S	JV394S
Variable speed fan control	●	●	●	●	●	●	●	●
Auto heat sensor	●	●	●	●	●	●	●	●
Vertical exhaust (CFM)	300	300	300	300	300	300	300	300
Sones rating: Top exhaust	4.5	4.5	4.5	4.5	4.5	4.5	4.5	4.5
Removable grease filter*	●	●	●	●	●	●	●	●
Filter size (sq. in.)	147	147	147	147	147	147	147	147
Cooktop light	●	●	●	●	●	●	●	●
3-1/4" x 10" rectangular duct	●	●	●	●	●	●	●	●
Appearance								
Color appearance**	SS	SS	CC	WW	BB	CC	WW	BB
Weights & Dimensions								
Width (in inches)	36	30	36	36	36	30	30	30
Approximate shipping weight (lbs.)	43	40	43	43	43	40	40	40
Power/Ratings								
Current rating Amps @ 120V	3.7	3.7	3.7	3.7	3.7	3.7	3.7	3.7

*Has washable one-piece smoke/grease filter.
 **SS = Stainless Steel, WW = White on white, BB = Black on black, CC = Bisque.
Note: These vented hoods include an installed damper.
Note: The unit is ducted vertically. Horizontal ducting can be accomplished as shown.
Note: Remove glass visor from unit before installing hood in cabinet to protect visor from damage.
Note: Before installing, consult Use & Care/installation instructions [Pub. No. 49-8464 (JV694/695); Pub. No. 49-8463 (JV394/395)] packed with product for current dimensional data.

Installation Information (in inches)



Dimensions (in inches)



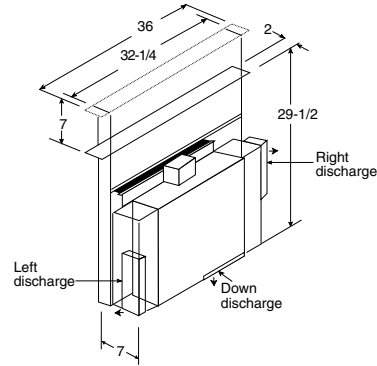
Telescopic Downdraft Systems

Features	GE Profile Performance Series™	
	JVB96SA	JVB93SA
Variable speed fan control	●	●
Downdraft exhaust (CFM)	500	500
3-1/4" x 10" rectangular duct	●	●
Removable grease filters	●	●
Appearance		
Color appearance	Stainless	Stainless
Weights & Dimensions		
Width (in inches)	36	30
Approx. shipping weight (lbs.)	62	60
Power/Ratings		
Current rating Amps @ 120V	4.0	4.0

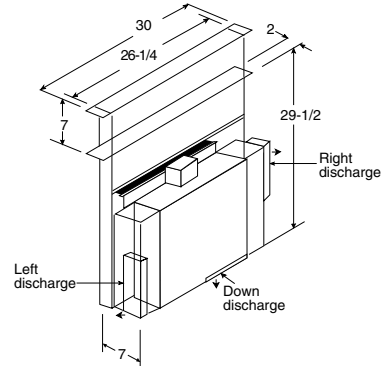
Note: Approved for use with GE Profile Performance,™ GE Profile,™ and GE electric and sealed burner gas cooktops.

Overall Dimensions (in inches)

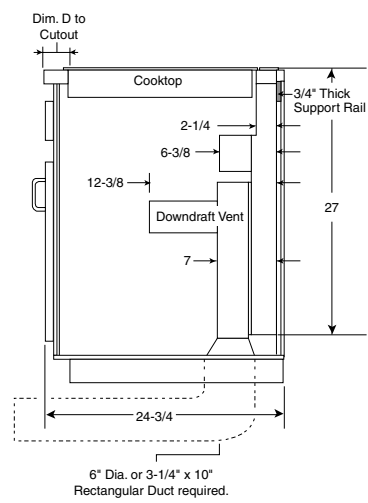
Model: JVB96SA



Model: JVB93SA



Venting Island to Outside Wall (in inches)



Note: Telescopic downdraft vents are not recommended to be installed with cooktops that are flush mounted.

Note: The countertop must be at least 26" deep with a flat surface area of 23-1/2" or more, front to back. In addition, other clearances to the front edge of the countertop must be considered.

Installation Information: Before installing, consult installation instructions (Pub. No. 49-8446, 36" and 30" Telescopic Hoods) packed with product for current dimensional data.

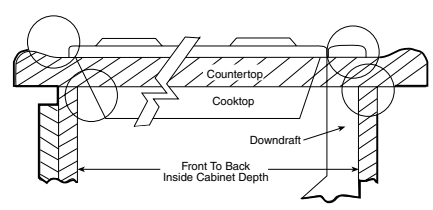
See page 156 for warranty information.

Note: Dimensions shown are for reference only. Before cutting out countertop, refer to instructions packed with **downdraft and cooktop**.

Note: Duct run not to exceed 100 equivalent feet.

Note: Installation in cabinets/countertops against the wall will not be possible in most applications.

Counter Cutout Information



Pay special attention to the 4 areas of potential interference circled above. 2" of **FLAT** countertop is needed behind rear edge of cooktop to accommodate downdraft vent cover.

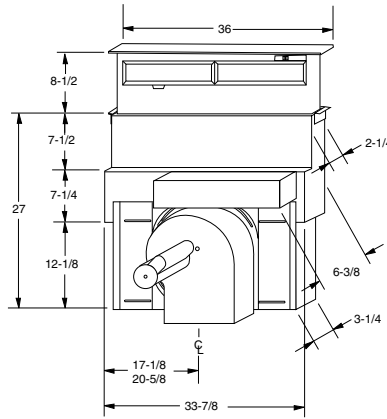
Approved for use with the following GE cooktops—36" and 30" Calrod® models, 36" and 30" radiant models, 30" solid disk models, 36" and 30" gas sealed burner models and 36" and 30" induction models. **Not approved for use with standard burner gas cooktops.**

Telescopic Downdraft Systems

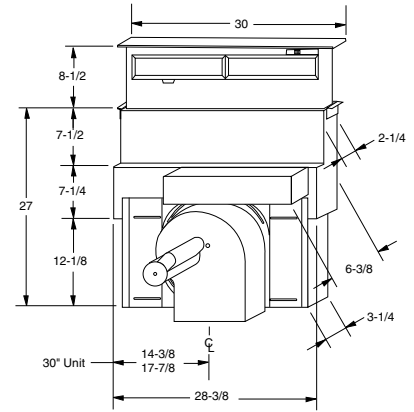
	GE Profile™	
	JVB67AWW JVB67ACC JVB67ABB	JVB37AWW JVB37ACC JVB37ABB
	Features	
Upfront variable speed fan w/slide control	●	●
Separate remote raise/lower switch	●	●
Downdraft exhaust (CFM)	350	350
Optional blower mount capabilities	●	●
3-1/4" x 10" rectangular duct	●	●
Minimum 6" round duct capability	●	●
Removable grease filters	●	●
Appearance		
Color appearance*	WW	WW
	CC	CC
	BB	BB
	White	White
	Bisque	Bisque
	Black	Black
Cover plate	Black	Black
Telescopic snorkel assembly	Black	Black
Weights & Dimensions		
Width (in inches)	36	30
Approximate shipping weight (lbs.)	76	72
Power/Ratings		
Current rating Amps @ 120V	4.0	4.0

*WW = White on white, CC = Bisque, BB = Black on black.
Note: Approved for use with GE Profile Performance Series™ GE Profile™ and GE electric and sealed burner gas cooktops.

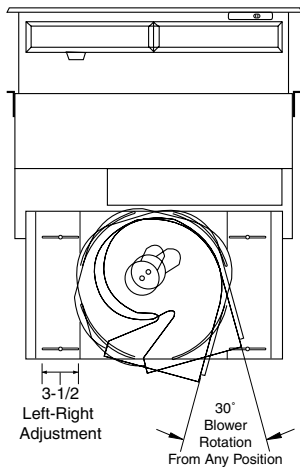
Overall Dimensions (in inches) Model JVB67



Model JVB37



Blower Position



Note: Telescopic downdraft vents are not recommended to be installed with cooktops that are flush mounted.

Approved for use with the following GE Profile Performance Series™ GE Profile™ and GE cooktops—36" and 30" electric models, 36" and 30" gas sealed burner models and 36" and 30" induction models.

Not approved for use with standard burner gas cooktops.

Note: The countertop must be at least 26" deep with a flat surface area of 23-1/2" or more, front to back. In addition, other clearances to the front edge of the countertop must be considered.

Note: Dimensions shown are for reference only. Before cutting out countertop, refer to instructions packed with **downdraft and cooktop**.

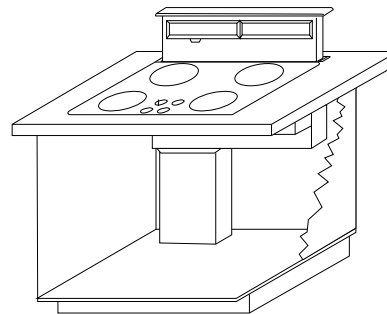
Note: Installation in cabinets/countertops against the wall will not be possible in most applications. Against the wall installations are limited to dimension requirements. Refer to installation instructions packed with product for further details.

JXBC57 Outdoor Cover. Optional accessory may be ordered for installation of motor and blower assembly on outside wall.

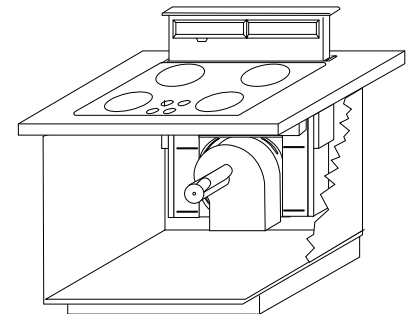
JXRB57 Indoor Remote Accessory. Optional accessory may be ordered for installation of motor and blower assembly in an indoor remote location.

Installation Information: Before installing, consult installation instructions (49-8931-1) packed with product for current dimensional data.

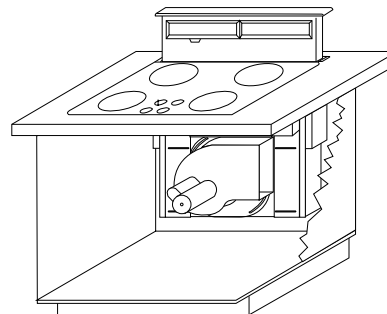
Venting Options (Through the Floor)



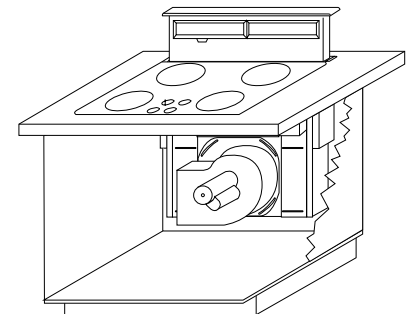
In Cabinet Discharge (Down)



In Cabinet Discharge (Right)



In Cabinet Discharge (Left)



See page 156 for warranty information.

Refrigeration

Cooking Products

Microwave Ovens

Dishwashers

Clothes Care

Water Systems

Air Conditioning

SpacemakerPlus™ Convection/Microwave Ovens

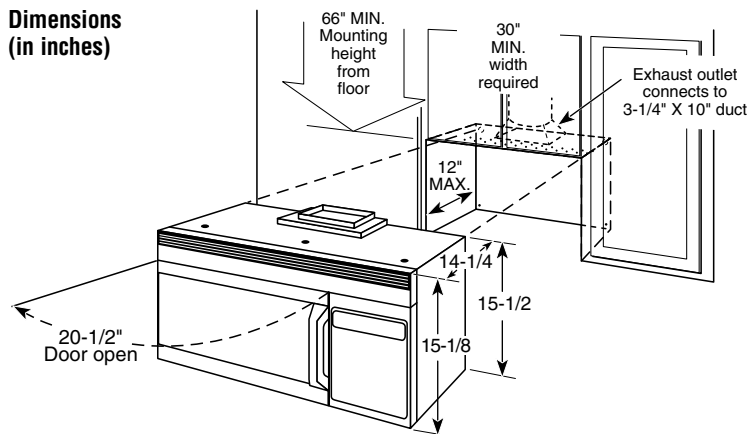
	GE Profile Performance Series™	
	JVM1190SY	JVM1190WY JVM1190CB JVM1190AY JVM1190BY
Capacity		
Oven cavity (cu. ft.)	1.1	1.1
Features		
Watts (IEC-705 Test Procedure)	825	825
Electronic Touch Controls	●	●
SmartControl System w/Interactive Display	●	●
Electronic scrolling digital display w/Clock and AM/PM Pad	●	●
Variable Scroll Speed	●	●
Help Pad	●	●
Concurrent programming	●	●
Display On/Off	●	●
Sensor Controls		
Beverage	●	●
Popcorn	●	●
Reheat	●	●
Vegetables (Canned/Fresh/Frozen)	●	●
Convection Controls		
Convection Broil	Hi/Lo	Hi/Lo
Convection Bake	●	●
Combination Roast	●	●
Sensor Combination	Chicken, Fish, Potato	Chicken, Fish, Potato
Combination Bake	Hi/Lo	Hi/Lo
Express Cook (1-6 minutes)	●	●
Instant On Controls	●	●
Time Cook	I & II	I & II
Add 30 Seconds	●	●
Temp Cook	●	●
Auto Defrost/Time Defrost	●	●
Power levels	10	10
Delay Start	●	●
Surface light	●	●
Night Light	●	●
Programmable Night Light	●	●
Timer On/Off	●	●
Reminder	●	●
Variable Beeper Volume Control	●	●
Cooking Complete Reminder	●	●
Child Lock Out	●	●
Two-speed high-capacity exhaust fan	●	●
Appearance		
Color appearance*	SS	WW CC AA BB
Case color	Stainless Steel	White on white Bisque Almond on almond Black on black
Door Color	Stainless Steel	White on white Bisque Almond on almond Black on black
Designer-style handle	●	●
Weights & Dimensions		
Approx. shipping weight (lbs.)	98	98
WxHxD (in inches)	Cavity Exterior	18 x 8-1/16 x 12-1/2 29-15/16 x 15-1/2 x 14-1/4
Power/Ratings		
2450 Frequency (MHz)	●	●
Electrical input @ 120V	Watts	1300
	Amperage	12.5
Accessories		
Convection/Rack broil pan	●	●
Warranty		
Full One-Year In Home Warranty**	●	●
Limited Nine-Year Magnetron Warranty** (10 years total)	●	●

*SS = Stainless steel, WW = White on white, CC = Bisque, AA = Almond on almond, BB = Black on black.
**See written warranty for details.



See page 157 for warranty information.

Dimensions (in inches)



Ventilation Options

The SpacemakerPlus™ convection/microwave and Spacemaker microwave ovens are designed for adaptation to the following three types of ventilation:

Outside Exhaust (Vertical—as shown above)

Outside Exhaust (Horizontal)

Recirculating (Non-vented ductless—see Filter Kit Drawing, order JX81 or JX81A)

Requires 120V grounded outlet. Electrical receptacle must be located in cabinet above SpacemakerPlus™ microwave/convection and Spacemaker microwave ovens. No additional wiring, venting or cabinet rebuilding necessary in many cases. Complete detailed, easy-to-follow installation instructions and convenient full-size templates are packed with product.

Important: When installing these ovens over a range, allow minimum of 2" from bottom of microwave oven to top of range backward to allow for removal of light covers.

Optional Accessories (Available at additional cost)

Filler Panel Kits

JX40WH—White
JX46WH—White
JX48WH—White
JX40CT—Bisque
JX48CT—Bisque
JX40AL—Almond
JX48AL—Almond
JX41—Black
JX46BL—Black
JX48BL—Black

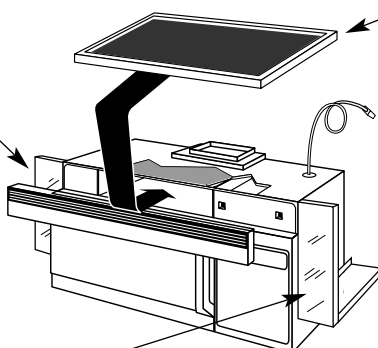
When replacing a 36" or 42" range hood, this kit fills in the additional width to provide a custom built-in appearance. For installation between cabinets only; not for end-of-cabinet installation. Each kit contains two 3"-wide filler panels. Two kits are needed for a 42" opening.

Filter Kits

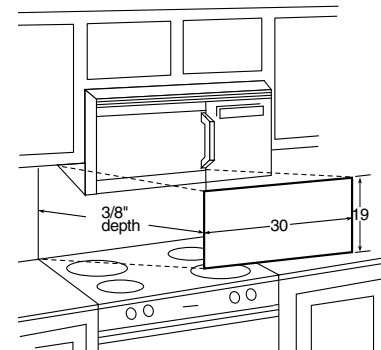
JX81A—Recirculating Charcoal Filter Kit
To be used when the Spacemaker microwave oven cannot be vented to the outside.

JX81—Recirculating Charcoal Filter Kit

To be used when the SpacemakerPlus™ microwave/convection oven cannot be vented to the outside. (JVM1190 models only.)



Model	Recirculating Charcoal Filter Kit	Filler Panel Kit	Decorative Panel Kit
JVM1190SY	JX81	JX41	JX22SS
JVM1190WY	JX81	JX40WH	JX22SS
JVM1190CB	JX81	JX40CT	JX22SS
JVM1190AY	JX81	JX40AL	JX22SS
JVM1190BY	JX81	JX41	JX22SS
JVM1660SB	JX81A	JX48BL	JX22SS
JVM1660WB	JX81A	JX48WH	JX22SS
JVM1660CB	JX81A	JX48CT	JX22SS
JVM1660AB	JX81A	JX48AL	JX22SS
JVM1660BB	JX81A	JX48BL	JX22SS
JVM1650WB	JX81A	JX48WH	JX22SS
JVM1650CB	JX81A	JX48CT	JX22SS
JVM1650AB	JX81A	JX48AL	JX22SS
JVM1650BB	JX81A	JX48BL	JX22SS
JVM1640WB	JX81A	JX48WH	JX22SS
JVM1640AB	JX81A	JX48AL	JX22SS
JVM1640BB	JX81A	JX48BL	JX22SS
JVM1450WC	JX81A	JX40WH/46WH	JX22SS
JVM1450BC	JX81A	JX41/46BL	JX22SS
JVM1410WC	JX81A	JX40WH	JX22SS
JVM1410BC	JX81A	JX46BL	JX22SS



JX22SS—Stainless Steel Decorative Panel Kit

When replacing a Hi/Low range with a SpacemakerPlus™ microwave/convection oven or Spacemaker over a range model, this panel kit fills in the area between the microwave and range left by the Hi/Low model.

This information is not intended to be used for installing unit described. Before installing, consult installation instructions packed with product/kit for current dimensional data.

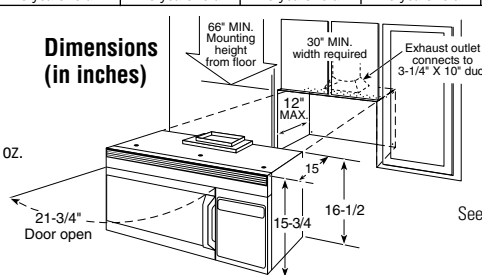
Spacemaker XL Over-The-Range Microwave Ovens

	GE Profile™			GE					
	JVM1660SB JVM1660WB JVM1660CB	JVM1660AB JVM1660BB JVM1661SB*	JVM1661WB* JVM1661CB* JVM1661AB/BB*	JVM1650SB/WB JVM1650CB/AB JVM1650BB	JVM1651SB* JVM1651WB* JVM1651CB*	JVM1651AB* JVM1651BB*	JVM1640WB JVM1640AB/BB	JVM1450WC JVM1450BC	JVM1410WC JVM1410BC
Capacity									
Oven cavity (cu. ft.)	1.6	1.6	1.6	1.6	1.6	1.6	1.6	1.4	1.4
Features									
Watts (IEC-705 Test Procedure)	1000	1000	1000	1000	1000	1000	1000	950	950
Electronic touch controls	•	•	•	•	•	•	•	•	•
SmartControl System w/Interactive Display	•	•	•	•	•	•	•	•	•
Electronic scrolling digital display	•	•	•	•	•	•	•	•	•
Demo Mode	•	•	•	•	•	•	•	•	•
Clock and AM/PM Pad	•	•	•	•	•	•	•	•	•
Clock Saver	•	•	•	•	•	•	•	•	•
Variable Scroll Speed	•	•	•	•	•	•	•	•	•
Help Pad	•	•	•	•	•	•	•	•	•
Concurrent programming	•	•	•	•	•	•	•	•	•
Display On/Off	•	•	•	•	•	•	•	•	•
Sensor Controls									
Beverage	•	•	•	•	•	•	•	•	•
Chicken	•	•	•	•	•	•	•	•	•
Fish	•	•	•	•	•	•	•	•	•
Meats	•	•	•	•	•	•	•	•	•
Popcorn	•	•	•	•	•	•	•	•	•
Potatoes	•	•	•	•	•	•	•	•	•
Reheat	•	•	•	•	•	•	•	•	•
Vegetables	•	•	•	•	•	•	•	•	•
Appointment Scheduler Pad	•	•	•	•	•	•	•	•	•
Custom Pads (2)	•	•	•	•	•	•	•	•	•
Message Center	•	•	•	•	•	•	•	•	•
Convenience Controls									
Beverage Pad	•	•	•	•	•	•	•	•	•
Cook Pad	•	•	•	•	•	•	•	•	•
Popcorn Pad	•	•	•	•	•	•	•	•	•
Reheat Pad	•	•	•	•	•	•	•	•	•
Snacks Pad	•	•	•	•	•	•	•	•	•
Express Cook (1-6 min.)	•	•	•	•	•	•	•	•	•
Instant On Controls	•	•	•	•	•	•	•	•	•
Time Cook	I & II	I & II	I & II	I & II	I & II	I & II	I & II	I & II	I & II
Add 30 Seconds	•	•	•	•	•	•	•	•	•
Temp. Cook/Roast (Probe)	•	•	•	•	•	•	•	•	•
Auto Defrost/Time Defrost	•	•	•	•	•	•	•	•	•
Power levels	10	10	10	10	10	10	10	10	10
Delay Start	•	•	•	•	•	•	•	•	•
Reminder	•	•	•	•	•	•	•	•	•
CircuWave™ 1000 Cooking System	•	•	•	•	•	•	•	•	•
CircuWave™ Plus Cooking System	•	•	•	•	•	•	•	•	•
Two Cooking Racks	•	•	•	•	•	•	•	•	•
Dual Rack	•	•	•	•	•	•	•	•	•
Turntable On/Off	•	•	•	•	•	•	•	•	•
Full-View cooktop lighting	•	•	•	•	•	•	•	•	•
Night light	•	•	•	•	•	•	•	•	•
Programmable night light	•	•	•	•	•	•	•	•	•
Timer On/Off	•	•	•	•	•	•	•	•	•
Beeper sound level control	•	•	•	•	•	•	•	•	•
Cooking Complete Reminder	•	•	•	•	•	•	•	•	•
Child lock out	•	•	•	•	•	•	•	•	•
High-capacity exhaust fan	300 CFM	300 CFM	300 CFM	300 CFM	300 CFM	300 CFM	300 CFM	300 CFM	300 CFM
Easy Mount Installation	•	•	•	•	•	•	•	•	•
Appearance									
Color appearance**	SS/WW/CC	AA/BB/SS	WW/CC/AA/BB	SS/WW/CC/AA/BB	SS/WW/CC	AA/BB	WW/AA/BB	WW/BB	WW/BB
Case color	SS/WH/CC	AD/BL/SS	WH/CC/AD/BL	SS/WH/CC/AD/BL	SSWH/CC	AD/BL	WH/AD/BL	WH/BL	WH/BL
Designer-style handle	•	•	•	•	•	•	•	•	•
Big View window	•	•	•	•	•	•	•	•	•
Weights & Dimensions									
Approx. shipping weight (lbs.)	67	67	67	67	67	67	67	70	67
WxHxD				20-1/4 x 9-9/32 x 14-13/32					
(in inches)				29-7/8 x 16-15/32 (rear) x 15-1/16					
Power/Ratings									
2450 Frequency (MHz)	•	•	•	•	•	•	•	•	•
Electrical input									
Watts	1480	1480	1480	1480	1480	1480	1480	1480	1480
@ 120V	Amperage	15	15	15	15	15	15	15	15
Accessories									
Cookbook	•	•	•	•	•	•	•	•	•
Warranty									
Full One-Year In-Home Warranty†	•	•	•	•	•	•	•	•	•
Limited Nine-Year Magnetron Warranty‡	•	•	•	•	•	•	•	•	•
	10 years total	10 years total	10 years total	10 years total	10 years total	10 years total	10 years total	10 years total	10 years total

* Non-vented model.
 ** SS = Stainless steel, WW = White on white, CC = Bisque, AA = Almond on almond, BB = Black on black, WH = White, AD = Almond, BL = Black.
 † Exterior dimensions: depth excludes handle.
 ‡ Cavity: 19-5/16 x 9-5/16 x 13-3/16 Exterior: 29-7/8 x 16-1/2 (rear) x 14-5/16.
 ‡ See warranty for details.

NOTE: Convenience Popcorn Pad designed for use with 3 packages sizes — 3.5, 3.0 and 1.75 oz.

This information is not intended to be used for installing unit described. Before installing, consult installation instructions packed with product/kit for current dimensional data.



See page 157 for warranty information.

Refrigeration
Cooking Products
Microwave Ovens
Dishwashers
Clothes Care
Water Systems
Air Conditioning

Microwave Wall Ovens

	GE Profile Performance Series™			GE Profile™	
	Convection/Microwave Oven			Microwave Oven	
	JEB1095SB	JEB1095WB	JEB1095BB	JEB1055WB	JEB1055BB
Capacity					
Oven cavity (cu. ft.)	1.0	1.0	1.0	1.0	1.0
Features					
Watts (IEC-705 Test Procedure)	800	800	800	800	800
Electronic Touch Controls	●	●	●	●	●
Electronic digital display w/clock	●	●	●	●	●
Beverage	Sensor	Sensor	Sensor	Sensor	Sensor
Cook	Sensor	Sensor	Sensor	Sensor	Sensor
Popcorn	Sensor	Sensor	Sensor	Sensor	Sensor
Reheat	Sensor	Sensor	Sensor	Sensor	Sensor
Convection Cook	●	●	●		
Combination Cook	●	●	●		
Combination Roast (Probe)	●	●	●		
Express Cook	●	●	●	●	●
Instant On Controls	●	●	●	●	●
Time Cook	I & II	I & II	I & II	I & II	I & II
Add 30 Seconds	●	●	●	●	●
Temp Cook/Hold (Probe)	●	●	●	●	●
Auto Roast (Probe)	●	●	●	●	●
Auto Defrost/Time Defrost	●	●	●	●	●
Power levels	10	10	10	10	10
Delay/Start Reminder	●	●	●	●	●
Minute Pad	●	●	●	●	●
Program cooking	5 Stage	5 Stage	5 Stage	5 Stage	5 Stage
Kitchen timer	99-M./99-S. Digital	99-M./99-S. Digital	99-M./99-S. Digital	99-M./99-S. Digital	99-M./99-S. Digital
Variable Beeper Volume	●	●	●	●	●
Cooking Complete Reminder	●	●	●	●	●
Appearance					
Color appearance*	SS	WW	BB	WW	BB
Designer-style handle	●	●	●	●	●
Weights & Dimensions					
Approx. shipping wt. (lbs.)	84	84	84	75	75
WxHxD (in inches)	Cavity: 18x8-3/16x11-1/2 Exterior†: 26-3/4x18-5/8x16-3/8				
Power/Ratings					
2450 Frequency (MHz)	●	●	●	●	●
Electrical input @ 120V	Watts 1450	1450	1450	1450	1450
	Amperage 13.0	13.0	13.0	13.0	13.0
Accessory					
Deluxe cookbook	●	●	●	●	●
Wire oven rack	●	●	●	●	●
30" trim kit (included)	●	●	●	●	●
Warranty					
Full One-Year In-Home Warranty**	●	●	●	●	●
Limited Nine-Year Magnetron Warranty** (10 years total)	●	●	●	●	●

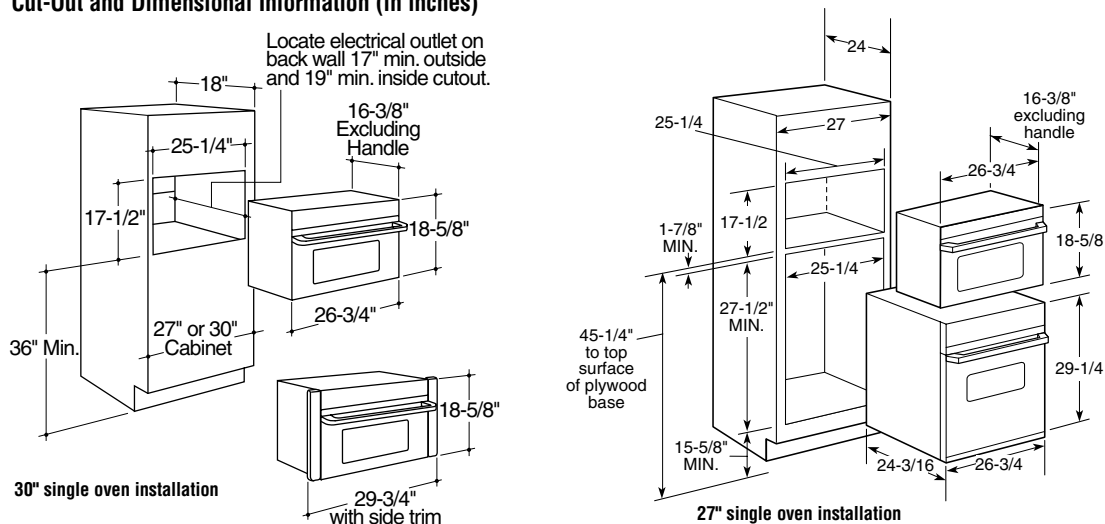
*SS = Stainless steel, WW = White on white, BB = Black on black.

**See written warranty for details.

†Exterior dimensions: depth excludes handle.



Cut-Out and Dimensional Information (in inches)



This information is not intended to be used for installing unit described. Before installing, consult installation instructions packed with product/kit for current dimensional data.

See page 157 for warranty information.

Countertop Microwave Ovens

	GE Profile Performance Series™	GE Profile™	GE	GE Profile™	GE	GE Profile™	GE	GE Profile™	GE	
	Convection/Microwave	Extra-large		Full-size		Family-size		Mid-size		Compact
	JE1390WA JE1390GA	JE1860SB JE1860WB JE1860CB JE1860GB	JE1840WB JE1840GB	JE1660WB JE1660GB	JE1640WB JE1640AB JE1640GB	JE1360WC JE1360BC	JE1340WC JE1340BC	JE1160WC JE1160BC	JE1140WC JE1140BC	JE740WY JE740GY
Capacity										
Oven cavity (cu. ft.)	1.3	1.8	1.8	1.6	1.6	1.3	1.3	1.1	1.1	.7
Features										
Watts (IEC-705 Test Procedure)	850	1100	1100	1100	1100	1100	1100	1100	1100	700
Electronic Touch Controls	●	●	●	●	●	●	●	●	●	●
Scrolling Display with Help Pad	●	●	●	●	●	●	●	●	●	●
Demo Mode	●	●	●	●	●	●	●	●	●	●
Electronic digital display w/clock	●	●	●	●	●	●	●	●	●	●
Display On/Off	●	●	●	●	●	●	●	●	●	●
Beverage Pad	Sensor	Sensor	●	Sensor	●	Sensor	●	Sensor	●	●
Cook Pad	Sensor	●	●	●	●	●	●	●	●	●
Chicken/Fish Pad	●	Sensor	●	Sensor	●	Sensor	●	Sensor	●	●
Potato Pad	●	Sensor	●	Sensor	●	Sensor	●	Sensor	●	●
Vegetable Pad	●	Sensor	●	Sensor	●	Sensor	●	Sensor	●	●
Popcorn Pad	Sensor	Sensor	●	Sensor	●	Sensor	●	Sensor	●	●
Reheat Pad	Sensor	Sensor	●	Sensor	●	Sensor	●	Sensor	●	●
Snacks Pad	●	●	●	●	●	●	●	●	●	●
Convection Cook	●	●	●	●	●	●	●	●	●	●
Combination Cook	●	●	●	●	●	●	●	●	●	●
Combination Roast	●	●	●	●	●	●	●	●	●	●
Express Cook	●	●	●	●	●	●	●	●	●	●
Instant On Controls	●	●	●	●	●	●	●	●	●	●
Time Cook	I & II	I & II	I & II	I & II	I & II	I & II	I & II	I & II	I & II	I & II
Add 30 Seconds	●	●	●	●	●	●	●	●	●	●
Temp Cook/Hold (probe)	●	●	●	●	●	●	●	●	●	●
Auto Defrost	●	●	●	●	●	●	●	●	●	●
Time Defrost	●	●	●	●	●	●	●	●	●	●
Power levels	10	10	10	10	10	10	10	10	10	10
SmartRack	●	●	●	●	●	●	●	●	●	●
Turntable	●	●	●	●	●	●	●	●	●	●
Turntable On/Off	●	●	●	●	●	●	●	●	●	●
Kitchen timer	99-M./99-S.	Timer On/Off	99-M./99-S.	Timer On/Off	99-M./99-S.	Timer On/Off	99-M./99-S.	Timer On/Off	Timer On/Off	99-M./99-S.
Delay Start/Reminder	●	●	●	●	●	●	●	●	●	●
Sound On/Off	●	●	●	●	●	●	●	●	●	●
Variable Beeper Control	●	●	●	●	●	●	●	●	●	●
Cooking Complete Reminder	●	●	●	●	●	●	●	●	●	●
Child lock out	●	●	●	●	●	●	●	●	●	●
Appearance										
Color appearance*	WW BB	SS WW CC BB	WW BB	WW BB	WW AA BB	WW BB	WW BB	WW BB	WW BB	WW BB
Case color	White Greystone	Greystone White Bisque Greystone	White Greystone	White Greystone	White Almond Greystone	White Black	White Black	White Black	White Black	White Greystone
Door color	White Black	Stainless Steel White Bisque Black	White Black	White Black	White Almond Black	White Black	White Black	White Black	White Black	White Black
Weights & Dimensions										
Approx. shipping wt. (lbs.)	64	48	48	50	50	42	42	40	40	33
Cavity	14-1/2 x 10-1/8 x 14-1/2	17-1/16 x 9-3/4 x 18-3/8	17-1/16 x 10-3/8 x 18-3/8	16-1/2 x 9-23/32 x 16-27/32		14-3/4 x 9-1/4 x 16		14-3/4 x 8-23/32 x 15-23/32		12-1/16 x 7-11/16 x 12-1/16
WxHxD (in inches)	Exterior † 22-1/4 x 14-7/8 x 19-7/8	23-7/8 x 13-1/2 x 19-1/4		23-21/32 x 13-5/16 x 18-5/16		21-7/8 x 12-5/8 x 17-1/4		20-1/2 x 11-7/8 x 16-15/16		19-1/4 x 10-13/16 x 13-9/16
Power/Ratings										
2450 Frequency (MHz)	●	●	●	●	●	●	●	●	●	●
Electric input @ 120V	Watts 1500 Amperage 14.0	1550 13.6	1550 13.6	1500 13.0	1500 13.0	1530 13.3	1530 13.3	1500 13.0	1500 13.0	1150 10.5
Accessories										
Optional built-in kit	JX1330MWW/ JX1327MWW/ JX1330MBV/ JX1327MBV	JX1830SB/ JX1827SB JX1830WB/ JX1827WB JX1830CB/ JX1827CB JX1830BB/ JX1827BB	JX1830WB/ JX1827WB JX1830BB/ JX1827BB	JX1530MWW/ JX1527MWW/ JX1530MBW/ JX1527MBW	JX1530MWW/ JX1527MWW/ JX1530MAW/ JX1527MAW/ JX1530MBW/ JX1527MBW					
Optional hanging kit										Pub. No. 4-A019
Warranty										
Full One-Year Warranty**	In-Home	In-Home	In-Home	In-Home	In-Home	Carry-In	Carry-In	Carry-In	Carry-In	Carry-In
Limited Nine-Year Magnetron Warranty** (10 years total)	●	●	●	●	●	●	●	●	●	●

*SS = Stainless Steel, WW = White on white, CC = Bisque, AA = Almond on almond, BB = Black on black.

**See written warranty for details.

†Exterior dimensions: height includes feet.

Note: Refer to page 215 for information on Trim Kits (Available at additional cost)

Refrigeration

Cooking Products

Microwave Ovens

Dishwashers

Clothes Care

Water Systems

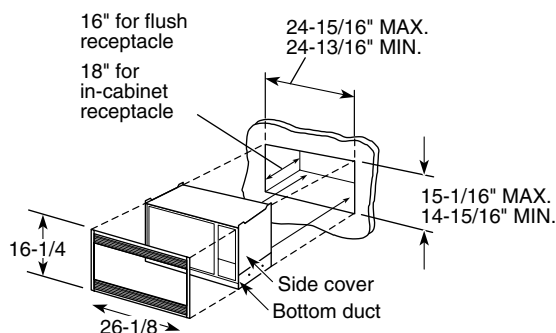
Air Conditioning

Spacemaker II™ Microwave Ovens

	GE Profile™		GE	
	JEM31SA	JEM31WA JEM31GA	JEM25WY	JEM25GY
Capacity				
Oven cavity (cu. ft.)	.9	.9	.9	.9
Features				
Watts (IEC-705 Test Procedure)	800	800	800	800
Electronic Touch Controls	●	●	●	●
Scrolling Display with Help	●	●	●	●
Electronic digital display w/clock	●	●	●	●
Beverage	Sensor	Sensor	●	●
Cook	Chicken/Fish Potato Vegetable Sensor	Chicken/Fish Potato Vegetable Sensor	●	●
Popcorn	Sensor	Sensor	●	●
Reheat	Sensor	Sensor	●	●
Snacks			●	●
Express Cook	●	●	●	●
Instant On Controls	●	●	●	●
Time Cook I & II	●	●	●	●
Add 30 Seconds	●	●	●	●
Auto Defrost/Time Defrost	●	●	●	●
Power levels	10	10	10	10
Kitchen timer	Timer On/Off	Timer On/Off	99-M./99-S.	99-M./99-S.
Beeper Volume	●	●	●	●
Sound On/Off			●	●
Cooking Complete Reminder	●	●	●	●
Delay Start/Reminder	●	●	●	●
Child Lock Out	●	●	●	●
Appearance				
Color appearance*	SS	WW BB	WW	BB
Door color	Stainless Steel	White Black	White	Black
Case color	Stainless Steel	White Greystone	White	Greystone
Weights & Dimensions				
Approx. shipping wt. (lbs.)	41	41	41	41
WxHxD Cavity (in inches)	← 16-1/2 x 7-7/16 x 11-1/4 →			
Exterior††	← 23-25/32 x 11-3/16 x 12-9/32 →			
Power/Ratings				
2450 Frequency (MHz)	●	●	●	●
Electrical input Watts @ 120V Amperage	1300 11.5	1300 11.5	1300 11.5	1300 11.5
Accessories				
Hanging kit (Pub. No. 4-A019)**	Optional	Optional	Optional	Optional
Optional built-in kit	JX827WN	JX827BN/ JX827SS	JX827WN	JX827BN/ JX827SS
Warranty				
Full One-Year Warranty†	In-Home	In-Home	Carry-In	Carry-In
Nine-Year Magnetron Warranty† (10 years total)	Limited	Limited	Limited	Limited

*SS = Stainless Steel, WW = White on white, BB = Black on black.
 **Pub. No. 4-A019 is available at additional cost.
 †See written warranty for details.
 ††Exterior dimensions: height includes feet.

Cut-Out Dimensions (in inches)



Trim Kits for .9 Microwave Ovens (Available at additional cost)

For a custom built-in appearance, this kit allows built-in installation of the Spacemaker II™ microwave oven into a wall or cabinet alone, and is U.L.-approved for installation over a GE single electric wall oven. This kit should not be installed over a gas wall oven.

**JX827BN—JEM31GA/JEM25GY, JX827WN—JEM31WA/JEM25WY
 JX827SS—JEM31SA/JEM31GA/JEM25GY**

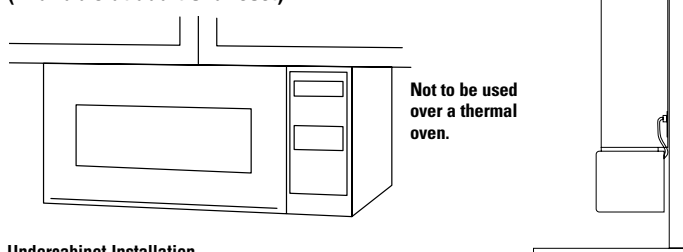
See page 157 for warranty information.

Countertop/Compact/Subcompact Microwave Ovens

	GE			
	JE710BA	JE835WW JE635WW	JE520WC JE520BW	JE510WC JE510BW
Capacity				
Oven cavity (cu. ft.)	.7	.8 .6	.5	.5
Features				
Watts (IEC-705 Test Procedure)	600	800 600	600	600
Electronic Touch Controls		●		
Electronic digital display w/clock (LED)		●	●	
Mechanical Dial	●			●
Beverage Pad		●		
Popcorn Pad		●		
Frozen Pizza Pad		●		
Dinner Plate Pad		●		
Baked Potato Pad		●		
Vegetables Pad		●		
Soup Pad		—		
Instant On Controls		●		
Time Cook	15 Min.		●	15 Min.
Auto Defrost		●		
Time Defrost			●	
Power levels	1	10	10	1
Turntable	●	●	●	●
Quick Set		●		
Auto Start		●		
Child Lock Out		●		
Appearance				
Door color	Black	White	White/Black	White/Black
Case color	Black	White	White/Black	White/Black
Weights & Dimensions				
Approx. shipping wt. (lbs.)	29	33	29	29
WxHxD Cavity (in inches)	11-7/8 x 7-5/8 x 12-1/2	12-5/8 x 8-1/2 x 13-3/16 11-3/8 x 7-7/8 x 11-5/8	11-3/32 x 6-11/16 x 11-7/32	11-3/32 x 6-11/16 x 11-7/32
WxHxD Exterior† (in inches)	19 x 11 x 12-7/8	19-1/2 x 11-3/8 x 15-1/8 18-5/16 x 10-13/16 13-7/8	18-5/32 x 9-19/32 x 12-11/16	18-5/32 x 9-19/32 x 12-11/16
Power/Ratings				
2450 Frequency (MHz)	●	●	●	●
Electrical input Watts @ 120V Amperage	910 8.5	1200/920 10.5/8.0	950 8.5	950 8.5
Accessory				
Hanging kit (Pub. No. 4-A019)*	Optional		Optional	Optional
Warranty				
Full One-Year warranty**	Carry-In	Carry-In	Carry-In	Carry-In
Four-year Magnetron warranty** (Five years total)	●	●	●	●

*Pub. No. 4-A019 is available at additional cost.
 **See written warranty for details.
 †Exterior dimensions: height includes feet.

Undercabinet Mounting Kit Pub. No. 4-A019 For Spacemaker II™ Compact and Subcompact Microwave Oven Models (Available at additional cost)



Undercabinet Installation

Install Spacemaker II™ Compact and Subcompact microwave ovens in just a few easy steps with the mounting template, which provides all the necessary measurements.* These microwave ovens can be installed on practically any wood or metal cabinets.
 *Installation may vary depending on cabinets.

Note: 120V, 60-cycle, grounded power receptacle location optional on back within cabinet opening.

This information is not intended to be used for installing unit described. Before installing, consult installation instructions packed with product/kit for current dimensional data.

Note: Suggested receptacle placement: under unit or inside cabinet above unit. (Requires 1-1/2" diameter hole.)

Trim Kits

Optional Trim Kits for 1.3 GE Profile Performance™ Microwave Ovens (Available at additional cost)

For a custom built-in appearance, these kits allow built-in installation of the 1.3 countertop microwave oven into a wall or cabinet alone and are U.L.-approved for installation over a GE single electric wall oven. These kits should not be installed over a gas wall oven.

Note: 120V, 60-cycle, grounded power receptacle location optional on back within cabinet opening.

30" Deluxe Trim Kits

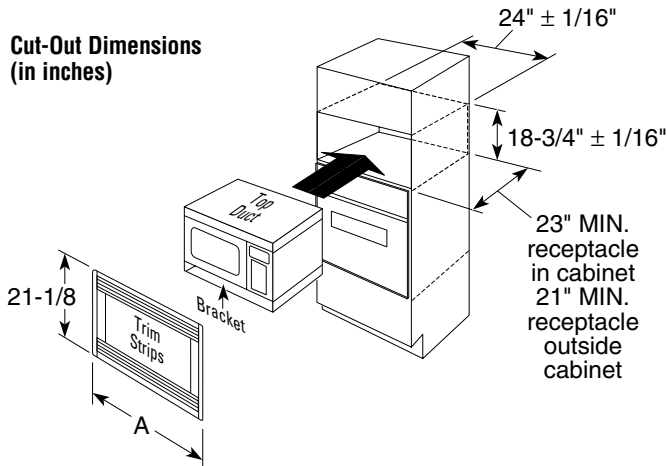
JX1330MWW—White
JX1330MBV—Black

Model	"A"	30" Deluxe Trim Kit
JE1390WA	29-3/4"	JX1330MWW
JE1390GA	29-3/4"	JX1330MBV

27" Deluxe Trim Kits

JX1327MWW—White
JX1327MBV—Black

Model	"A"	27" Deluxe Trim Kit
JE1390WA	26-3/4"	JX1327MWW
JE1390GA	26-3/4"	JX1327MBV



Optional Trim Kits for 1.6 GE Profile™ and GE Microwave Ovens (Available at additional cost)

For a custom built-in appearance, these kits allow built-in installation of the 1.6 countertop microwave oven into a wall or cabinet alone and are U.L.-approved for installation over a GE single electric wall oven. These kits should not be installed over a gas wall oven.

30" Deluxe Trim Kits

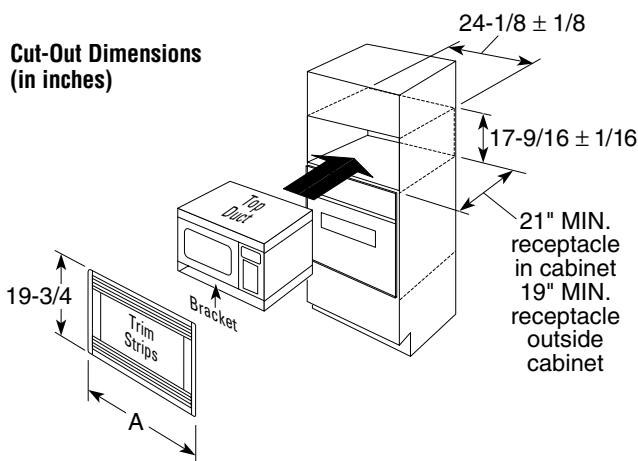
JX1530MWW—30" White
JX1530MAW—30" Almond
JX1530MBW—30" Black

Model	"A"	30" Deluxe Trim Kit
JE1660WB	29-3/4"	JX1530MWW
JE1660GB	29-3/4"	JX1530MBW
JE1640WB	29-3/4"	JX1530MAW
JE1640AB	29-3/4"	JX1530MAW
JE1640GB	29-3/4"	JX1530MBW

27" Deluxe Trim Kits

JX1527MWW—27" White
JX1527MAW—27" Almond
JX1527MBW—27" Black

Model	"A"	27" Deluxe Trim Kit
JE1660WB	26-3/4"	JX1527MWW
JE1660GB	26-3/4"	JX1527MBW
JE1640WB	26-3/4"	JX1527MAW
JE1640AB	26-3/4"	JX1527MAW
JE1640GB	26-3/4"	JX1527MBW



Optional Trim Kits for 1.8 GE Profile™ and GE Microwave Ovens (Available at additional cost)

For a custom built-in appearance, these kits allow built-in installation of the 1.8 countertop microwave oven into a wall or cabinet alone and are U.L.-approved for installation over a GE single electric wall oven. These kits should not be installed over a gas wall oven.

30" Deluxe Trim Kits

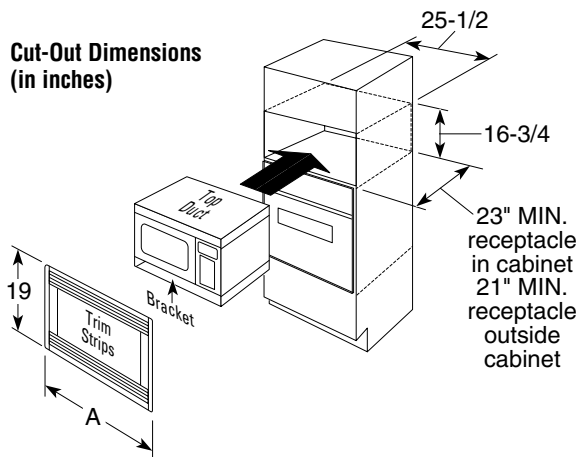
JX1830SB—30" Stainless Steel
JX1830WB—30" White
JX1830CB—30" Bisque
JX1830BB—30" Black

Model	"A"	30" Deluxe Trim Kit
JE1860SB	29-3/4"	JX1830SB
JE1860WB	29-3/4"	JX1830WB
JE1860CB	29-3/4"	JX1830CB
JE1860GB	29-3/4"	JX1830BB
JE1840WB	29-3/4"	JX1830WB
JE1840GB	29-3/4"	JX1830BB

27" Deluxe Trim Kits

JX1827SB—27" Stainless Steel
JX1827WB—27" White
JX1827CB—27" Bisque
JX1827BB—27" Black

Model	"A"	27" Deluxe Trim Kit
JE1860SB	26-7/8"	JX1827SB
JE1860WB	26-7/8"	JX1827WB
JE1860CB	26-7/8"	JX1827CB
JE1860GB	26-7/8"	JX1827BB
JE1840WB	26-7/8"	JX1827WB
JE1840GB	26-7/8"	JX1827BB



GE Triton™ Built-In Dishwashers

Dishwasher Accessories

Dishwasher Panel Kits and Accessories:

GE Profile™ models: GSD5300 and 5100 Series.
GE Profile Performance™ models: GSD5900 and 5600 Series.

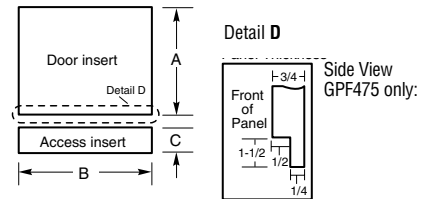
- GPF400C/S/W/B/A—panel kit
- GPF600C/W/B/A—trimless door panel
- GPF700C/W/B/A—trimless access panel

Note: C = Bisque, S = Stainless Steel, W = White, B = Black, A = Almond

Wood Panel Capability:

GPF475—GE Profile Performance™ and GE Profile™
3/4" trimless panel kit (door and access
[GPF100—heavy-duty spring kit included])
GPF425A/B/W/C—GE Profile Performance™ and GE Profile™
1/4" panel trim kit (door and access)

Wood Insert Cut-Out Dimensions



Models/Kit	A	B	C	D – Panel Thickness
GE Profile Performance™ and GE Profile™ models/GPF425	19-3/4"	23-9/16"	3-11/16"	1/4"
GE Profile Performance™ and GE Profile™ models/GPF475	19-7/8"	23-5/8"	4-1/4" to 3-11/16"***	3/4"

*Bottom of panel must be notched 1-1/2" x 1/2" to clear access panel. (See illustration above)

**Adjustment required to match adjacent cabinet fronts due to leveling adjustment, 4" nominal.

Electrical Rating

Voltage AC120
Hertz60
Total connected load amperage8.2
Calrod® heater watts500
Calrod® heater watts (GSD5900 and GSD5600 series models)725

For use on adequately wired 120-volt, 15-amp circuit having 2-wire service with a separate ground wire. This appliance must be grounded for safe operation.

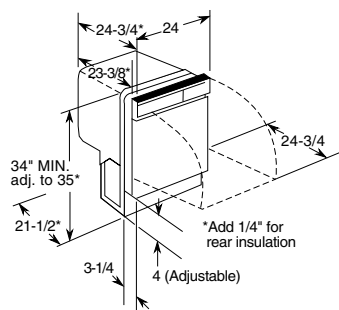


Features	GE Profile Performance Series™		GE Profile™	
	GSD5950FCC GSD5940FSS GSD5930FWW GSD5920FBB GSD5910FAA	GSD5650FCC GSD5640FSS GSD5630FWW GSD5620FBB GSD5610FAA	GSD5360FSS GSD5350DCC GSD5330DWW GSD5320DBB GSD5310DAA	GSD5150FCC GSD5130DWW GSD5120DBB GSD5110DAA
Wash System				
TriClean™ Wash System	●	●	●	●
Dual Pumps	●	●	●	●
3 wash arms – 6 levels	●	●	●	●
Triple Water Filtration system	100%	100%	100%	100%
Piranha™ Hard Food Disposer	●	●	●	●
CleanSensor	●	●	●	●
Cycles	Variable	Variable	5	4
Pots & Pans	●	●	●	●
Normal Wash	●	●	●	●
Light Wash	●	●	●	●
China/Crystal	●	●	●	●
SpeedWash™	●	●	●	●
SaniWash	●	●	●	●
Rinse only	●	●	●	●
Options	Variable	Variable	34	26
Child Lock Option	●	●	●	●
Delay Start	2-4-8-Hour	2-4-8-Hour	2-4-8-Hour	4-6-8-Hour
Heated Dry On/Off	●	●	●	●
SpeedDry™	●	●	●	●
Hi-Temp Wash	●	●	●	●
Hi-Temp Rinse	●	●	●	●
Power Pre-Soak	●	●	●	●
Racks, shelf & basket				
Upper Rack	Super w/2 Rows of Fold-Down Tines	Super	Super	Super
Lower Rack	Super w/4 Rows of Fold-Down Tines	Super w/2 Rows of Fold-Down Tines	Super w/2 Rows of Fold-Down Tines	Super
SmartShelf	with StemSafe	●	●	●
Silverware Basket	Super Capacity Plus w/2 cell covers	Super Capacity Plus w/2 cell covers	Super Capacity w/2 cell covers	Super Capacity w/1 cell cover
Control type	Electronic	Electronic	Electronic	Electronic
Cycle progress indicators	6 LEDs	6 LEDs	1 "Clean"	1 "Clean"
Touchpads	11	10	11	10
Rinse Aid dispenser	with Indicator	with Indicator	with Indicator	with Indicator
Center throw door latch	●	●	●	●
Economical & Quiet				
Quiet				
Sound insulation package	QuietPower™ III	QuietPower™ III	QuietPower™ III	QuietPower™ II
PermaTuf™ Tub and door liner	●	●	●	●
GE Profile™ QuietMotor	●	●	●	●
Tub collar trim	●	●	●	●
ActiveVent	●	●	●	●
Quiet Water Valve	●	●	●	●
Appearance				
Colors available*	CC, SS, WW, BB, AA	CC, SS, WW, BB, AA	SS, CC, WW, BB, AA	CC, WW, BB, AA
Color panels—Door & Access	Trimless	Trimless	Trimless	Trimless
Weights & Dimensions				
Approx. shipping weight (lbs.)	85	85	85	85
Height w/legs retracted (in.)	34	34	34	34
Overall width (in.)	24	24	24	24
Overall depth (in.)	24-3/4	24-3/4	24-3/4	24-3/4
Accessories				
Requires kit for 1/4" panel capability with trim	GPF425C/W/B/A	GPF425C/W/B/A	GPF425C/W/B/A	GPF425W/B/A
Requires kit for trimless 3/4" panel capability	GPF475	GPF475	GPF475	GPF475

All GE Profile Performance™ and GE Profile™ Dishwashers are equipped with the following: 120°F inlet water capability, Easy-Glide roller system, convection drying, horizontal mechanism, leveling screws.

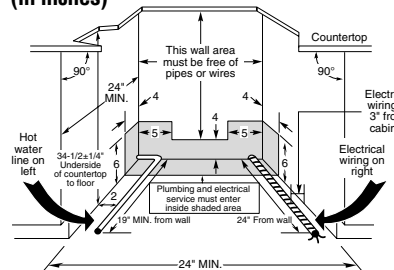
*Colors available: CC = Bisque, SS = Stainless Steel, WW = White on white, BB = Black on black, AA = Almond on almond.

Built-In Dishwasher Dimensions (in inches)



See page 157 for warranty information.

Built-In Dishwasher Installation Information (in inches)



Note: Dishwasher must not be installed more than 10 feet from sink for proper drainage. All plumbing and electrical work must be in accordance with local codes.

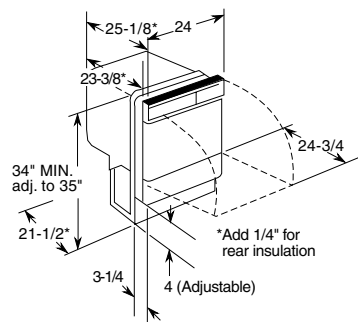
Note: If a flush look is needed, a 25" base cabinet needs to be used.

GE Nautilus™ Built-In Dishwashers

Features	GE				
	GSD3755FCC GSD3735FWW GSD3725FBB GSD3715FAA	GSD3455FCC GSD3435FWW GSD3425FBB GSD3415FAA	GSD3135FWW GSD3125FBB GSD3115FAA	GSD2635FWW GSD2625FBB GSD2615FAA	GSD2335FWW GSD2325FBB
Wash System					
Wash System Type	PowerScrub™	PowerScrub™	PowerScrub™	Standard	Standard
Filtration System	Dual	Dual	Dual		
Food Disposer	Piranha™	Piranha™	Piranha™	●	●
Cycles	7	6	5	5	3
Pots & Pans	●	●	●		
Heavy Wash				●	Dial
Normal Wash	●	●	●	●	Dial
Light Wash	●	●			
China/Crystal	●				
Short Wash	Dial	Dial	Dial	Dial	
Plate Warmer	Dial	Dial	Dial	Dial	
Rinse Only	Dial	Dial	Dial	Dial	Dial
Options	39	31	22	22	13
Delay Start	1-6 Hour	1-6 Hour			
Heated Dry On/Off	●	●		Rocker	Rocker
Hi-Temp Wash	●	●	●	●	●
HotStart™	●	●	Dial	Dial	Dial
Racks, shelf & basket					
Upper Rack	Deluxe Plus	Deluxe	Deluxe	Standard	Standard
Lower Rack	Deluxe	Deluxe	Deluxe	Deluxe	Deluxe
Cup Shelf	●				
Silverware basket	Deluxe Split	Deluxe	Deluxe	Deluxe	Deluxe
Control type	TouchTap™	TouchTap™	Turn-To-Start	Turn-To-Start	Turn-To-Start
Cycle progress indicator(s)	"Cycle On"	"Cycle On"	Dial	Dial	Dial
Touchpads	8	7			
Pushbuttons			6	4	2
Rinse Aid dispenser	with Indicator	●	●	●	●
1, 2, 10-yr. warranty	●	●	●	●	●
1, 10-yr. warranty					●
Economical/Quiet					
Quiet					
Sound Insulation Package	QuietPower™ I	QuietDesign™	QuietDesign™	QuietDesign™	QuietDesign™
PermaTuf™ Tub and door liner	●	●	●	●	●
QuietPower™ Motor	●	●	●	●	●
Appearance					
Colors available*	CC, WW, BB, AA	CC, WW, BB, AA	WW, BB, AA	WW, BB, AA	WW, BB
Color Panels—Door & Access	Trimless	Trimless	Trimless	Trimless	Trimless
Weights & Dimensions					
Approx. shipping weight (lbs.)	85	85	85	85	85
Height w/legs retracted (in.)	34	34	34	34	34
Overall width (in.)	24	24	24	24	24
Overall depth (in.)	25-1/8	25-1/8	25-1/8	25-1/8	25-1/8
Accessories					
Requires kit for 1/4" panel capability with trim	GPF425W/B/A	GPF425W/B/A	GPF325W/B/A	GPF325W/B/A	GPF325B
Requires kit for trimless 3/4" panel capability	GPF475	GPF475	GPF375	GPF375	GPF375

All GE Dishwashers are equipped with the following: 120°F inlet water capability, Easy-Glide roller system, convection drying, horizontal mechanism, leveling screws.
*Colors available: WW = White on white, BB = Back on black, AA = Almond on almond.

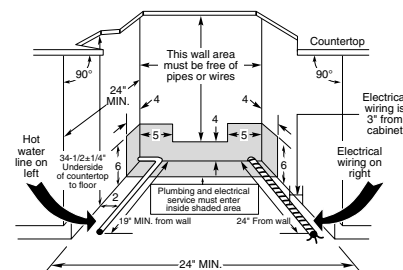
Built-In Dishwasher Dimensions (in inches)



Electrical Rating

Voltage AC.....120
Hertz.....60
Total connected load amperage.....6.2
Calrod® heater watts.....500
For use on adequately wired 120-volt, 15-amp circuit having 2-wire service with a separate ground wire. This appliance must be grounded for safe operation.

Installation Information (in inches)



Dishwasher Rough-In Information

Note: Dishwasher must not be installed more than 10 feet from sink for proper drainage. Dishwasher furnished with 1/2" I.D. drain hose, 78" long. All plumbing and electrical work must be in accordance with local codes.



Dishwasher Accessories

Dishwasher Panel Kits and Accessories:

GE models: GSD3700 and 3400 Series.
GPF400C/S/W/B/A—panel kit
GPF600C/W/B/A—trimless door panel
GPF700C/W/B/A—trimless access panel

GE models: GSD3100, 2600 and 2300 Series.

GPF300W/B/A—panel kit
GPF500W/B/A—trimless door panel

Note: W = White, B = Black, A = Almond..

Side Panel for All GE Models:

Contains one panel and adjustable toe-kick for end cabinet installation of built-in model. Does not attach to dishwasher. Specify color: GPSSAD—Almond GPS5WH—White

Optional Dishwasher Accessories:

GPF53—Brackets for under non-wood countertop installation
GPF95—Stainless sink for Spacemaker® dishwasher—single bowl 21-1/4" x 25" Drain hole on right; elbow and strainer included
GPF96—Stainless sink for Spacemaker® dishwasher—single bowl 21-1/4" x 25" Drain hole on left; elbow and strainer included
GPF97—Stainless sink for Spacemaker® dishwasher—double bowl 21-1/4" x 33" Elbow and strainer included
GPF100—Heavy spring kit for custom door panel weighing more than 4 lbs.
GPF200—Almond/Black/White side tub flange gasket kit

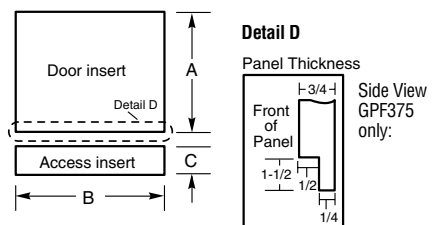
Wood Panel Capability:

GSD3700, 3400:
GPF475A/B/W—GE 1/4" panel trim kit (door and access)
GPF425—GE 3/4" trimless panel trim kit (door and access)
GSD3100, 2600, 2300:
GPF325A/B/W—GE 1/4" panel trim kit (door and access)
GPF375—GE 3/4" trimless panel trim kit (door and access)

Warranty Information*

1, 2, 10-year warranty package: Full one-year warranty on entire dishwasher. Limited second-year water distribution parts warranty. Full ten-year tub/door liner warranty.
1, 10-year warranty package: Full one-year warranty on entire dishwasher. Full ten-year tub/door liner warranty.
*See written warranty for details.

Wood Insert Cut-Out Dimensions



Models/Kit	A	B	C	D - Panel Thickness
GSD3700 and 3400 series/GPF425	19-3/4"	23-9/16"	3-11/16"	1/4"
GSD3700 and 3400 series/GPF475	19-7/8"	23-5/8**	3-11/16**	3/4"

*Bottom of panel must be notched 1-1/2" x 1/2" to clear access panel. (See illustration above)
**Adjustment required to match adjacent cabinet fronts due to leveling adjustment, 4" nominal.

Models/Kit	A	B	C	D - Panel Thickness
GSD3100, 2600 and 2300 series/GPF325	18-7/8"	23-9/16"	3-11/16"	1/4"
GSD3100, 2600 and 2300 series/GPF375	18-15/16"	23-5/8**	3-3/4" to 4-1/4**	3/4"

*Bottom of panel must be notched 1-1/2" x 1/2" to clear access panel. (See illustration above)
**Adjustment required to match adjacent cabinet fronts due to leveling adjustment, 4" nominal.

See page 157 for warranty information.

Refrigeration

Cooking

Microwave Ovens

Dishwashers

Clothes Care

Water

Air Conditioning

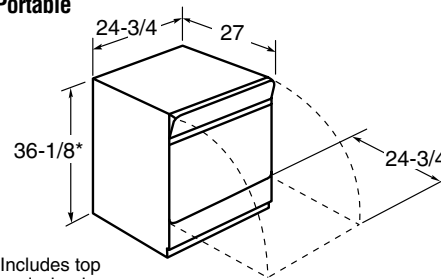
GE Nautilus™ Convertible Dishwashers

Features	GE	
	GSC3430FWW GSC3400FBL	GSC3230FWW GSC3200FBL
Wash System		
PowerScrub™ Wash System	●	●
Wash levels	3	3
Filtration System	Dual	Dual
Piranha™ Hard Food Disposer	●	●
Cycles	7	5
Pots & Pans	●	●
Normal Wash	●	●
Light Wash	●	●
China/Crystal	●	●
Short Wash	Dial	Dial
Plate Warmer	Dial	Dial
Rinse Only	Dial	Dial
Options	39	22
Delay Start	1-6-Hour	
Heated Dry	●	●
Hi-Temp Wash	●	●
HotStart™	●	Dial
Racks (upper/lower)	Deluxe	Deluxe
Silverware basket	Split	Deluxe
Cycle progress indicator	Dial	Dial
TouchTap™ control pads	8	
Pushbuttons		6
Rinse Aid dispenser	with Indicator	●
Economical/Quiet		
Quiet		
Sound insulation package	QuietPower™ I	QuietDesign™
PermaTuf™ Tub and door liner	●	●
QuietPower™ motor	●	●
Sealed toekick	●	●
Appearance		
Colors available*	WW, BL	WW, BL
Color panels—Door & Access	Trimless	Trimless
Decorative wood laminate top	Grey/Woodgrain	Grey/Woodgrain
Weights & Dimensions		
Approx. shipping wt (lbs.)	130	130
Overall height w/legs extended (in.)	36-1/8	36-1/8
Overall width (in.)	24-3/4	24-3/4
Overall depth (in.)	27	27

*Colors available: WW = White on white, BL = Black control panel and front panels w/almond side panels.

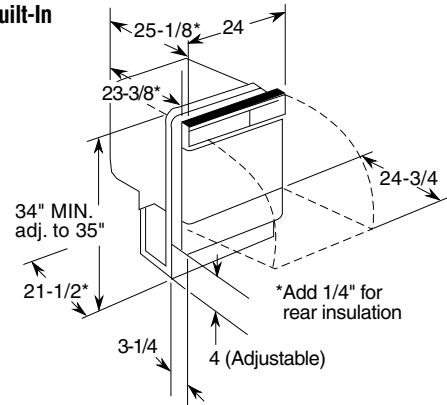
Dimensions (in inches) GSC3230FWW, GSC3200FBL, GSC3430FWW and GSC3400FBL

Portable



*Includes top and wheels

Built-In

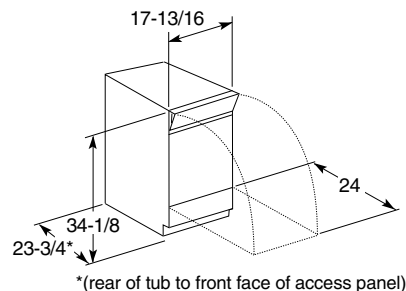


Important Note: GE kit number WD35M34 needed when adapting GE convertible dishwasher to a built-in installation. Contains built-in dishwasher water valve, hardware and complete instructions for changing a GE convertible dishwasher for under-the-counter installation.

GE Spacemaker® Built-In 18" Dishwasher

Features	GE	
	GSS1800Z	
Wash System		
Wash levels	2	
Cycles	4	
Pots & Pans	Dial	
Normal Wash	Dial	
Light Wash Dial		
Rinse Only/Hold	Dial	
Options	6	
Heated Dry On/Off	Rocker	
Racks (upper/lower)	Standard	
Silverware basket	Standard	
Control type	Turn-To-Start	
Cycle progress indicator	Dial	
Rinse Aid dispenser	●	
120°F @ inlet water capability	●	
Leveling screws	●	
Economical/Quiet		
Tub Insulation	Standard	
Appearance		
Colors available	Black/Almond/White	
Color panels—Door & Access (2 reversible)	Black/Harvest; Almond/White	
Weights & Dimensions		
Approx. shipping weight (lbs.)	70	
Height w/legs retracted (in.)	34-1/8	
Overall width (in.)	17-13/16	
Overall depth (in.)	23-3/4	

Dimensions (in inches)



Dishwasher Rough-In Information

Note: Dishwasher must not be installed more than 10 feet from sink for proper drainage. All plumbing and electrical work must be in accordance with local codes.

Most of the installation work should be done before the dishwasher is moved into place. First, select a location as close to the sink as possible for ready access to water and drain lines. For proper operation and appearance of the dishwasher, the cabinet opening should be square and have dimensions as shown in Figure 1. If the dishwasher is to be installed in a corner, there must be sufficient clearance to open the door as shown in Figure 2. A minimum clearance of 2" is recommended.

Rough-in the water, electrical, and drain lines before proceeding with the installation. The lines should run straight to their connections on the dishwasher.

Note: Make sure that the lines do not cross in front of the dishwasher motor or its legs.

Note: For trim kit to install wood panel up to 3/16" thick on GSS1800Z model only, order Pub. No. 5-A007.

Figure 1

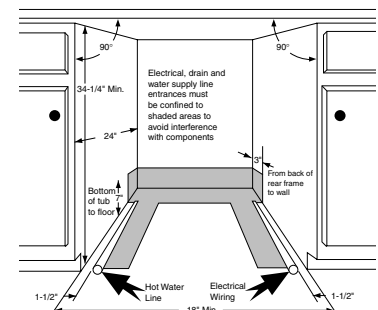
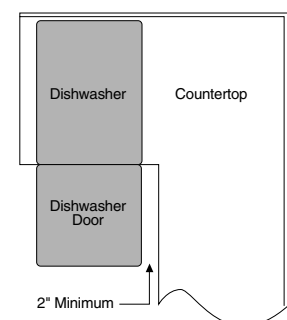


Figure 2

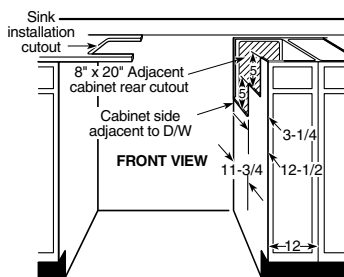


GE Spacemaker® Under-the-Sink Dishwashers

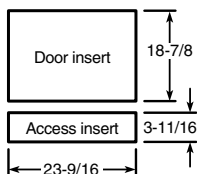
GE	
GSM2130FWW/GSM2110FAA	
Features	
Wash levels	2
Cycles	5
Pots & Pans	●
Normal Wash	●
Short Wash	Dial
Plate Warmer	Dial
Rinse Only	Dial
Options	12
Heated Dry On/Off	●
HotStart™	Dial
Racks, shelf & basket	
Upper Rack	Spacemaker®
Lower Rack	Deluxe
Silverware basket	Deluxe
Control type	Turn-To-Start
Cycle progress indicator	Dial
Pushbuttons	4
Rinse Aid dispenser	●
Economical/Quiet	
PermaTuf™ Tub and door liner	●
QuietPower™ motor	●
Appearance	
Colors available*	WW, AA
Door	Trimless
Color Panels Access	Trimless
Weights & Dimensions	
Approx. shipping weight (lbs.)	72
Height w/legs retracted (in.)	34
Overall width (in.)	24
Overall depth (in.)	24

*Colors available: WW = White control panel with white front panels.
AA = Almond control panel with almond front panels.

Cabinet Cut-Out for Sink



Cabinet cut-outs for offset single and double bowl sinks. Dishwasher not provided with complete enclosure. Enclosures for sides, top, bottom, and back must be provided by installer at time of installation.



Wood Insert Cut-Out Dimensions (in inches)

Inserts must not exceed 1/4" thickness within 5/16" of edge around full circumference. Order GPF325 kit.

Note: Under-the-Sink dishwashers can be installed under GE cooktop models JP200V and JP201CV. Refer to cooktop installation instructions.

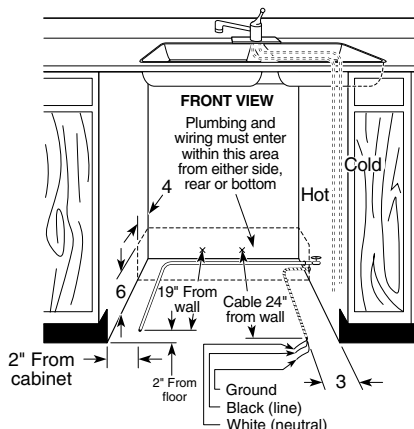
Stainless Steel Sinks Single and Double Compartment Models (Dimensions in Inches)

Model Number	Overall Size		Inside Each Compartment		
	L	W	L	W	D
GPF95 (Single Bowl, R)*	25	21-1/4	21	15-3/4	5-3/8
GPF96 (Single Bowl, L)*	25	21-1/4	21	15-3/4	5-3/8
GPF97 (Double Bowl)	33	21-1/4	14	15-3/4	5-3/8

Model Number	Cutout In Countertop 1-1/2" Radius Corners		No. Of 1-1/2" Dia. Faucet Holes	Ship. Wt. Lbs.
	L	W		
GPF95 (Single Bowl, R)*	24-3/8	20-5/8	3 or 4**	10
GPF96 (Single Bowl, L)*	24-3/8	20-5/8	3 or 4**	10
GPF97 (Double Bowl)	32-3/8	20-5/8	3 or 4**	12-1/2

Note: Drain opening size is 3-1/2". Above models are fully sound deadened. *Suffix "L" or "R" means drain outlet is located in upper left or right corner of sink compartment. **All have four holes, but one hole has a removable plug.

Plumbing/Electrical Rough-In



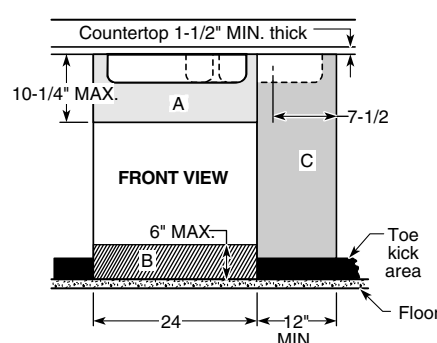
Plumbing: Hot Water Only: Use 3/8" O.D. copper tubing or 1/2" O.D. plastic tubing min. inlet line. Water valve has 3/8" internal threads. Hand cut-off valve is recommended.

Electrical: Fuse circuit with 15 amp or 20 amp standard fuse or circuit breaker. Total amp load is 8.6. Dishwasher operates on 120V, 60 Hz power. Two-wire cable (14 Ga. Min.) with ground must be installed.

Note: All rough-in, both plumbing and electrical, must be completed before the dishwasher is installed. All plumbing and electrical work must be in accordance with local codes.

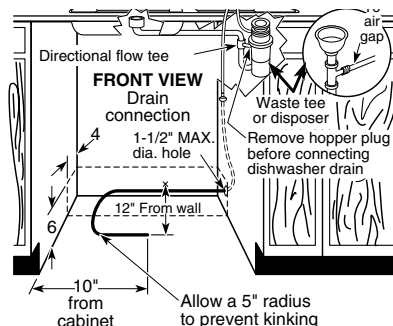
Specifications: Inlet Water Temperature Recommended: Minimum 120°F. at dishwasher. Inlet Water Pressure Required: 15 to 120 lbs./sq. in.

Cabinet Rough-In



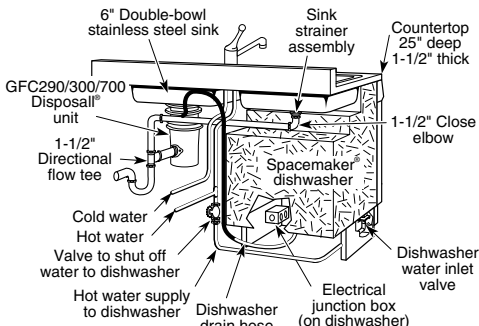
Either single- or double-bowl sink may be used, centered or offset, as shown in the front illustration above. The 20-1/2" max. dimension from wall to front of sink bowl must be accurate if dishwasher is to fit properly under sink. Water lines to sink faucet and drain from sink can be run through area "A." HOT WATER line to dishwasher is installed in area "B." Garbage disposer, water lines to faucet, trap, waste air gap and water cut-off valve are installed in 12" wide cabinet shown in area "C." Sink opening for garbage disposer must be dimensioned as shown in front view, area "C" above (7-1/2"). This will provide clearance for disposer and plumbing in cabinet "C" when using double bowl sink. If the sink bowl is more than 20-1/2" max. specified distance from the wall, or if the base cabinet is less than the 24" min. depth from the wall, a gap between the tub front flange and the front of the base cabinet may result.

Rough-In for Installation with Disposer



A close-fitting elbow or special shallow sink strainer is necessary to provide clearance between sink drain and dishwasher. Dishwasher furnished with 1/2" I.D. drain hose, 78" long. If using copper tubing, 2" length of 1/2" I.D. rubber hose must be provided to connect copper tubing to pump outlet. Disposer should have 7/8" I.D. dishwasher drain connector.

Rear View Plumbing Arrangement



See page 157 for warranty information.

Refrigeration

Cooking

Microwave Ovens

Dishwashers

Clothes Care

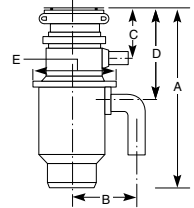
Water

Air Conditioning

Disposall®—The Original Disposer

	GE								
	Continuous Feed Models								Batch Feed Model
	GFC1000Y	GFC800Y	GFC705Y	GFC700Y	GFC305Y	GFC300Y	GFC295Y	GFC290Y	GFB1050V
Features									
Motor horsepower	3/4	1/2	1/2	1/2	1/2	1/2	1/3	1/3	3/4
Control method	Wall Switch	Wall Switch	Wall Switch	Wall Switch	Wall Switch	Wall Switch	Wall Switch	Wall Switch	Stopper
Feed type	Continuous	Continuous	Continuous	Continuous	Continuous	Continuous	Continuous	Continuous	Batch
Power connection	Direct Wire	Direct Wire	Line Cord	Direct Wire	Line Cord	Direct Wire	Line Cord	Direct Wire	Direct Wire
Power Boost	●								
Impellers									
Dual swivel	●	●	●	●	●	●	●	●	●
Jam resistant	●	●	●	●	●	●	●	●	●
Stainless steel	●	●	●	●	●	●	●	●	●
Stainless steel sink flange	●	●	●	●	●	●	●	●	●
Mounting type	Fast Mount	Fast Mount	Fast Mount	Fast Mount	Fast Mount	Fast Mount	Fast Mount	Fast Mount	Twist Top
Precutler	●	●	●	●	●	●	●	●	●
Splash guard	Removable	Removable	Removable	Removable	Removable	Removable	Removable	Removable	Non-Removable
Sink stopper	●	●	●	●	●	●	●	●	●
Dishwasher drain connector	●	●	●	●	●	●	●	●	●
Manual reset overload protector	●	●	●	●	●	●	●	●	●
Permanently lubricated bearing	●	●	●	●	●	●	●	●	●
Plastic drain elbow	●	●	●	●	●	●	●	●	●
Turntable	Stainless Steel	Galvanized	Galvanized	Galvanized	Galvanized	Galvanized	Galvanized	Galvanized	Stainless Steel
Polyester drain housing	●	●	●	●	●	●	●	●	●
Grinding speed (RPM's)	8000	8000	8000	8000	8000	8000	8000	8000	2700
Hopper	Polypropylene	Polypropylene	Polypropylene	Polypropylene	Polypropylene	Polypropylene	Polypropylene	Polypropylene	Nylon
Hopper liner and grinding ring	Stainless Steel	Stainless Steel	Stainless Steel	Stainless Steel	Galvanized	Galvanized	Galvanized	Galvanized	Stainless Steel
Economical/Quiet									
Sound insulation wrapper	Super Deluxe	Deluxe	Standard	Standard					Super Deluxe
Weights & Dimensions									
Approx. shipping weight (lbs.)	12.5	10.0	9.8	9.8	8.4	8.4	8.4	8.4	14.0
Net weight (lbs.)	11	8.8	8.6	8.6	7.6	7.6	7.6	7.6	12.5
(A)	14-5/8	14-5/8	14-5/8	14-5/8	14-5/8	14-5/8	14-5/8	14-5/8	16-9/16
(B)	6-1/4	6-1/4	6-1/4	6-1/4	6-1/4	6-1/4	6-1/4	6-1/4	5-1/2
(C)	3-1/4	3-1/4	3-1/4	3-1/4	3-1/4	3-1/4	3-1/4	3-1/4	6-1/2
(D)	8-1/4	8-1/4	8-1/4	8-1/4	8-1/4	8-1/4	8-1/4	8-1/4	9-5/16
(E)	8-1/8	8-1/8	8-1/8	8-1/8	6-3/8	6-3/8	6-3/8	6-3/8	8-5/8
Dishwasher inlet diameter (in.)	7/8	7/8	7/8	7/8	7/8	7/8	7/8	7/8	1
Drain outlet diameter (in.)	1-1/2	1-1/2	1-1/2	1-1/2	1-1/2	1-1/2	1-1/2	1-1/2	1-1/2
Accessories									
White sink flange & stopper	GPF71	GPF71	GPF71	GPF71	GPF71	GPF71	GPF71	GPF71	GPF71
Almond sink flange & stopper	GPF72	GPF72	GPF72	GPF72	GPF72	GPF72	GPF72	GPF72	GPF72
Bisque sink flange & stopper	GPF73	GPF73	GPF73	GPF73	GPF73	GPF73	GPF73	GPF73	GPF73
Clamp nut kit	GPF75	GPF75	GPF75	GPF75	GPF75	GPF75	GPF75	GPF75	GPF75

Disposers

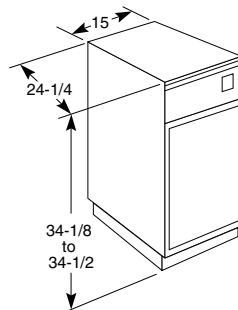


Built-In Compactors

	GE Profile™	
	GCG1550FCC, GCG1540FSS, GCG1530FWW, GCG1520FBB	
Features		
Cycle time	27 seconds max., 14 seconds min.	
Drive system	2-Point	
Motor horsepower	1/3	
Compression ratio (average)	75% reduction of volume	
Ram force (lb.) (max.)	2,300	
Front level legs and rear wheels	●	
Capacity	1.4 cu. ft.	
Side release bin	●	
Toe/foot pedal drawer opener	●	
Lock/start control w/removable key	●	
Automatic anti-jam	●	
Slide-out drawer	●	
Full 1-year warranty	●	
Appearance		
Color appearance*	CC, SS, WW, BB	
Color-Matched	●	
Heavy-gauge steel construction	●	
1/4" panel capability	●	
Weights & Dimensions		
Total shipping weight (lbs.)	152	
Total appliance weight (lbs.)	141	
Overall height (in.)	34-1/8 to 34-1/2	
Overall width (in.)	15	
Overall depth (in.)	24-1/4	
Cutout dimensions H x W x D (in.)	34-1/4 x 15-1/8 x 24-3/4	
Clearance for drop-down drawer side	6" or more on right side	
Drawer extension for removal	23" or more in front of appliance	
Custom panel size H x W (in.)	22-15/16 x 14-5/8	
Accessories		
Compactor bags (5 included)	WC60X5017	

*Colors available: CC = Bisque, SS = Stainless, WW = White on white, BB = Black on black.

Compactor dimensions (in inches)



Compactor Accessories:

New 1/4" panel trim kits (color-matched)

- GPF82S—Stainless steel
- GPF82W—White
- GPF82C—Bisque
- GPF82B—Black

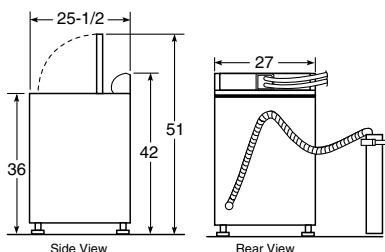
Washers

	GE Profile Performance Series™		GE Profile™		GE							
	WPSE7003A	WPSE5290A	WPSE4270A	WPSE4200A	WWSE3160A	WJSE3110A	WBSE2090A	WJSR1070A	WVSR1060A	WBXE2070A	WBXR1090A	
Capacity												
Capacity (cu. ft.)	Super Plus (3.2)	Super Plus (3.2)	Super Plus (3.2)	Super Plus (3.2)	Super Plus (3.2)	Super Plus (3.2)	Super Plus (3.2)	Super (3.2)	Super (3.2)	Extra-Large (2.7)	Extra-Large (2.7)	
Features												
Controls	1-Touch Elec.	Rotary	Rotary	Rotary	Rotary	Rotary	Rotary	Rotary	Rotary	Rotary	Rotary	
Custom cycles	2											
Adaptive Logic System™	●											
Speed Wash	●											
Stain Wash	●											
Cycle status lights	●											
Wash/rinse temps	4	4	4	4	3	3	3	3	3 (locked)	3	3 (locked)	
Wash/spin speed comb.	5	5	4	4	3	3	2	2	1	2	1	
Water levels	5	Variable	Variable	4	4	3	3	3	3	3	3	
PerfecTemp	Plus	●	●	●								
SpotSpray	●	●	●	●								
Fabric softener dispenser	●	●	●	●	●	●						
Bleach dispenser	●	●	●	●	●	●						
Self-cleaning filter	●	●	●	●	●	●						
Agitator	GentlePower™	GentlePower™	GentlePower™	GentlePower™	GentlePower™	GentlePower™	GentlePower™	FlexCare™	FlexCare™	FlexCare™	FlexCare™	
End-of-cycle signal	Deluxe	Deluxe										
Number of wash cycles	Multiple	29	27	20	16	11	9	7	6	7	9	
Cycle Countdown	Digital	●	●	●	●	●	●	●		●		
Cycles												
Whites	●											
Colors	●											
Dark Colors	●											
Easy Care	●											
Hand Wash	●											
Optional Soil Levels												
Heavy Soil	●											
Normal Soil	●											
Light Soil	●											
Cottons Regular												
Extra Heavy Soil	●/Stain Wash	●	●	●	●	●	●		Whites	●	●	
Heavy Soil	●	●	●	●	●	●	●	●		●	●	●
Medium Soil	●	●	●	●	●	●	●	●		●	●	●
Light Soil	●	●	●	●	●	●	●	●		●	●	●
Extra Light Soil												
Auto Soak (30 min.)		●	●	●	●	●						
Auto Soak (15 min.)		●	●	●	●	●						
Easy Care												
Extra Heavy Soil	●/Stain Wash								Colors			
15 Minute Auto Soak		●										
Heavy Soil	●	●	●	●	●	●	●			●	●	●
Medium Soil	●	●	●	●	●	●	●			●	●	●
Light Soil	●	●	●	●	●	●	●			●	●	●
Delicate									Casuals	Dark Colors		
15 Minute Auto Soak		●										
Heavy Soil								●	●		●	●
Medium Soil		●	●	●	●	●	●	●	●	●	●	●
Light Soil								●				●
Hand Wash		●	●									
Extra Heavy Soil	●/Stain Wash											
Heavy Soil	●											
Medium Soil	●											
Light Soil	●											
Presoak	●											
Quick Wash		●										
Quick Rinse (Prewash)	●	●	●	●	●							
Spin Only	●	●	●	●	●	●		●				
2nd Rinse	●	●	●	●	●							
Extended Spin	●	●	●	●								
2nd Rinse Extended Spin		●	●									
Rinse and Spin								●				
Delay Start (1-8 hours)	●											
ColorLogic™ 2000	●	●	●	●								
Color Lid Instructions	●	●	●	●	●	●	●			●		
Color Stain Guide	●	●	●									
Quiet												
Quiet Insulation Package	Hush Plus	Hush	Deluxe Plus	Deluxe								
Appearance												
Colors available*	WW, AA	WW, AA	WW, AA	WW, AA	WW, AA	WW, AA	WW, AA	WW, AA	WW, AA	WW, AA	WW, AA	WW, AA
Weights												
Approx. ship. wgt. (lbs.)	160	160	160	160	160	160	160	160	160	160	160	160

*Colors available: WW = White on white, AA = Almond on almond.

Note: All washers include Quiet-By-Design™ Auto Balance Suspension System, ArmorGuard protection, Steel Drive transmission, PermaTuf II™ basket, and are 100% front serviceable.

Washer Dimensions (in inches)



Washer Specifications

Circuit Requirements:

An individual, properly-grounded branch circuit, with a three-prong grounding-type receptacle, protected by a 15 or 20 amp circuit breaker or time-delay fuse is required.

Electrical Rating:

115V, 60Hz, 10A

Washer Note:

Washer wall outlet must be located within 36" of service cord entry. Wall outlet must not be located behind dryer.

See page 158 for warranty information.

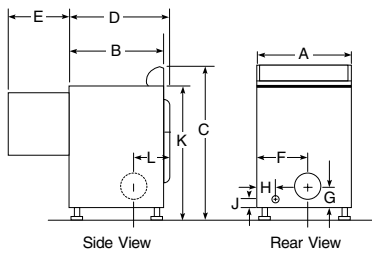
Dryers

		GE Profile Performance Series™		GE Profile™			GE					
Electric Gas	DPSE592EA	DPSR513EA	DPSR405EA	DPSR483EA	DPXR483EA	DWSR483EA	DBSR453EA	DWXR483EA	DBXR453EA	DBL333EA	DVL223EA	
	DPSE592GA	DPSR513GA	DPSR405GA	DPSR483GA	DPXR483GA	DWSR483GA	DBSR453GA	DWXR483GA	DBXR453GA	DBL333GA	DVL223GA	
Capacity												
Capacity (cu. ft.)	Super (7.0)	Super (7.0)	Super (7.0)	Super (7.0)	Ex-Large (6.0)	Super (7.0)	Super (7.0)	Ex-Large (6.0)	Ex-Large (6.0)	Ex-Large (5.7)	Ex-Large (5.7)	
Features												
Controls	One-Touch Elec.	Rotary	Rotary	Rotary	Rotary	Rotary	Rotary	Rotary	Rotary	Rotary	Rotary	
Custom cycles	2											
Adaptive Logic System™	●											
Speed Dry	●											
Antibacterial option	●											
Cycle status lights	●											
Sensor Dry	Plus	●	●									
Automatic Dry control				●	●	●	●	●	●	●	●	
Heat selections	5	5	4	4	4	4	4	4	4	3	2	
Dryel Cycle	●	●										
Add Time option	●											
Number of cycles	Multiple	13	10	8	8	8	5	8	5	3	2	
Cycle countdown	Digital											
Cycles												
Cottons	●											
Mixed Loads	●											
Easy Care	●											
Knits/Sweaters	●											
Delicates	●											
Optional Dryness levels												
More Dry	●											
Dry	●											
Less Dry	●											
Damp	●											
Options												
Wrinkle Care												
Extended Tumble	●											
Dryel™	●	●										
Antibacterial	●											
Dewrinkle	●											
Air Dry	●											
Add Time	●											
Cottons												
Jeans/Towels		●										
Shirts		●										
Auto Cottons Cycle		●	●	●	●	●	●	●	●	●	●	
Optional Wrinkle Care		●	●	●	●	●		●				
Easy Care												
Auto Wrinkle Free/Perm Press Cycle		●	●	●	●	●	●	●	●	●		
Cottons/Knits		●										
Optional Wrinkle Care		●	●	●	●	●		●				
Ultra Care												
Woolens/Linens		●										
Rayon/Silk		●										
Wrinkle Care		●										
Delicates												
Auto Delicates Cycle			●									
Optional Wrinkle Care			●									
Timed Dry												
Actual minutes on timer	80	80	80	80	80	80	80	80	80	80	80	
Damp Dry			●	●	●	●	●	●	●			
Dewrinkle		●	●	●	●	●	●	●	●			
Quick Fluff (no heat)			●	●	●	●		●				
Quick Dry		●						●				
ColorLogic™ 2000	●	●	●	●	●							
End-of-cycle signal	Deluxe	Deluxe	Deluxe	Variable	Fixed	Variable	Fixed	Variable				
Deluxe Dryer Rack	●	●	●									
Drying Center												
Dryer interior light	●	●	●	●	●	●	●	●	●			
Interior Finish	DuraDrum™	DuraDrum™	DuraDrum™	DuraDrum™	DuraDrum™	DuraDrum™	DuraDrum™	DuraDrum™	DuraDrum™	Painted Steel	Painted Steel	
Clean lint filter reminder	●											
Quiet												
Insulation Package	Hush Quiet Plus	Hush Quiet	Deluxe Quiet	Deluxe Quiet	Deluxe Quiet							
QuietDrum™	●	●										
Appearance												
Colors available*	WW, AA	WW, AA	WW, AA	WW, AA	WW, AA	WW, AA	WW, AA	WW, AA	WW, AA	WW, AA	WW, AA	
Weights												
Approx. shipping weight (lbs.)	Electric 130	130	119	119	112	119	112	119	107	125	125	
	Gas 125	125	125	120	115	120	115	120	124	130	130	

* Colors available: WW = White on white, AA = Almond on almond.

GE electric dryers are available with long-ducting capability and are 100% front serviceable. All GE dryers are Quiet-By-design and are equipped with Reverse-A-Door and removable up-front lint filter.

Dryer Dimensions (in inches)



	Extra-Large 5.7 Capacity	Extra-Large 6.0 Capacity	Super Capacity
A	27	27	27
B	25-1/2*	25-1/2*	25-1/2*
C	42	42	42
D	25-3/4	25-3/4	28-1/4
E	23-1/2	23-1/2	23-1/2
F	11-3/4	11-1/2	11-1/2
G	5-1/2	3-1/2	3-1/2
H	2	2	2
J	2-1/2	2-1/2	2-1/2
K	36	36	36
L	4-3/4	5-1/4	8-1/2

*24-1/2" from the edge of the side panel to the front. 25-1/2" from front to edge of end caps.

Dryer Specifications

Exhaust options:

Electric: 4-way via rear, right, left and bottom.

Gas: 3-way via rear, left and bottom. Dryer is shipped exhausted to the rear. Alternate exhausting knockouts are supplied.

Circuit Requirements:

Electric: An individual, properly-grounded branch circuit, protected by a 30 amp circuit breaker or a time-delay fuse is required.

Electric Dryer Rating:

208/240V, 5600W, 24A, 60 Hz

208V, 4400W, 22A, 60 Hz

Gas: An individual, properly-grounded branch circuit, with a three-prong grounding-type receptacle, protected by a 15 or 20 amp circuit breaker or a time-delay fuse is required.

Gas Dryer Electric Rating:

120V, 60Hz, 6A

Gas (BTU/HR): 22,000. Factory-equipped for natural gas. Tested for LP gas. LP gas supply requires an optional conversion kit, 5.7 cu. ft. model kit is WE25X10003, 6.0 and 7.0 cu. ft. model kit is WE25X0217. Have a qualified gas technician install a conversion kit.

See dryer ducting information for proper installation.

Note: Dryer wall outlet must be located within 36" of service cord entry and accessible when dryer is mounted in position.

Dryer Exhausting Information

For complete information see installation instructions packed with dryer.

Important Note: GE Kit Number 14-A018 needed when converting rear exhaust to bottom or side. (On 5.7 extra-large capacity models only.)

Ducting Materials

For best performance, this dryer should be vented with 4" diameter all rigid metal exhaust duct. If "all rigid metal" duct cannot be used, then "flexible all metal" venting can be used, but it will reduce the maximum recommended duct length.

The following kit or parts are available from your local service organization.

Kit WX8X75—7" aluminum duct and 4" hood, short tail.

(OR individual parts):

WX8X65 7" aluminum flex duct only

WX8X58 4" clamps (2)

WX8X67 4" exhaust hood

See installation instructions for complete information.

Exhaust length calculation:

- Determine the number of 90° turns needed for your installation. If you exhaust to the side or bottom of dryer, add one turn.
- The maximum length of 4" rigid (aluminum or galvanized) duct which can be tolerated is shown in the table.

The maximum lengths for flexible ducts are less than for rigid duct.

See table in installation instructions. A turn of 45° or less may be ignored.

Two 45° turns within the duct length should be treated as a 90° elbow.

A turn over 45° should be treated as a 90° elbow.

Exhausting the dryer to the outside is strongly recommended to prevent large amounts of moisture and lint from being blown into the room. Gas dryers or any dryer located in a closet **must** be exhausted to the outside.

Caution: For personal safety do not terminate exhaust into a chimney, under any enclosed house floor (crawl space), or into an attic, since the accumulated lint could create a fire hazard or moisture could cause damage. Never terminate the exhaust into a common duct or plenum with a kitchen exhaust, since the combination of lint and grease could create a fire hazard.

Exhaust ducts should be terminated in a dampered wall cap to prevent back drafts, bird nesting, etc. The wall cap must also be located at least 12" above the ground or any other obstruction with the opening pointed down. Other terminations, such as louvered wall boxes, are acceptable provided they are equivalent to a 4" opening dampered wall cap.

Special Installation Requirements

Alcove or Closet Installation

- If your dryer is approved for installation in an alcove or closet, it will be stated on a label on the dryer back.
- The dryer **MUST** be exhausted to the outdoors. See installation instructions.
- Minimum clearances between dryer cabinet and adjacent walls or other surfaces are:
0" either side
3" front and rear
- Minimum vertical space from floor to overhead cabinets, ceilings, etc. is 52".
- Closet doors must be louvered or otherwise ventilated and must contain a minimum of 60 sq. in. of open area equally distributed. If this closet contains both a washer and a dryer, doors must contain a minimum of 120 sq. in. of open area equally distributed.
- The closet should be vented to the outdoors to prevent gas pocketing in case of a gas leak in the supply line.
- No other fuel-burning appliance shall be installed in the same closet with the dryer.

Bathroom or Bedroom Installation

- The dryer **MUST** be exhausted to the outdoors. See installation instructions.
- The installation must conform with the local codes, or in the absence of local codes, with the National Fuel Gas Code, ANSI Z223.

Minimum Clearances other than Alcove or Closet Installations

- Minimum clearances to combustible surfaces:
0" both sides
3" rear

For more information on venting kits and accessories, please call 1-800-GE-CARES.

Dryer Exhausting Information—Use Metal Duct Only
Vertical and Horizontal Ducting

Dryer Models	Number of 90° Turns	Best Performance			
		Maximum Length of 4" Dia. Rigid Metal Duct		Maximum Length of 4" Dia. Flexible Metal Duct	
		Exhaust Hood Type		Exhaust Hood Type	
		Cat. No. WX8X59 (Preferred) A 4" Opening	B 2-1/2" Opening	Cat. No. WX8X59 (Preferred) A 4" Opening	B 2-1/2" Opening
Domestic Dryer Models	0	90 ft.	60 ft.	55 ft.	45 ft.
	1	60 ft.	45 ft.	40 ft.	30 ft.
	2	45 ft.	35 ft.	30 ft.	20 ft.
	3	35 ft.	25 ft.	20 ft.	15 ft.
Super & Extra-Large 6.0 Capacity Models All Electric Dryers	4	25 ft.	15 ft.	15 ft.	10 ft.
	0	45 ft.	30 ft.	30 ft.	15 ft.
	1	35 ft.	20 ft.	20 ft.	10 ft.
Super & Extra-Large 6.0 Capacity Models All Gas Dryers	2	25 ft.	10 ft.	10 ft.	—
	3	15 ft.	—	—	—
	0	60 ft.	48 ft.	30 ft.	18 ft.
Extra-Large 5.7 Capacity Electric and Gas Dryers	1	52 ft.	40 ft.	22 ft.	14 ft.
	2	44 ft.	32 ft.	14 ft.	10 ft.
	3	32 ft.	24 ft.	—	—
	4	28 ft.	16 ft.	—	—
Spacemaker® Models DSKS433EA WSM2780W	0	46 ft.	37 ft.	30 ft.	24 ft.
	1	38 ft.	30 ft.	25 ft.	20 ft.
	2	31 ft.	22 ft.	20 ft.	14 ft.
Spacemaker® Model DSKP233EW	3	24 ft.	15 ft.	16 ft.	10 ft.
	0	43 ft.	36 ft.	30 ft.	24 ft.
	1	33 ft.	26 ft.	24 ft.	18 ft.
Spacemaker® Model WSM2700W	3	23 ft.	16 ft.	16 ft.	10 ft.
	0	56 ft.	42 ft.	30 ft.	22 ft.
	1	46 ft.	36 ft.	22 ft.	14 ft.
Spacemaker® Model WSM2420T WSM2480T	2	34 ft.	28 ft.	16 ft.	10 ft.
	3	32 ft.	18 ft.	10 ft.	5 ft.
	0	43 ft.	36 ft.	30 ft.	24 ft.
	1	33 ft.	26 ft.	24 ft.	18 ft.
	2	23 ft.	16 ft.	16 ft.	10 ft.



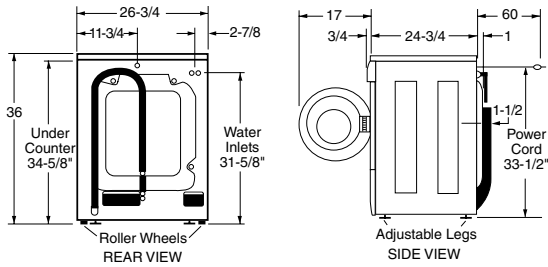
Listed by Underwriters Laboratories

Front Loading Washer

	GE Profile™	GE
	WPXH214A	WSXH208A
Capacity		
Capacity	Extra-large	Extra-Large
Cubic Feet	2.7	2.7
Features		
Wash/rinse temperatures	7	4
Water levels	Auto. Adjustment	Auto. Adjustment
Standard Rinse Cycles	4	3
Motor Speeds	Variable	Variable
ColorLogic™ 2000	●	●
Combinations*	HC, WW, WC, CC	HC, WW, WC, CC
Detergent dispenser (liquid/powder)	●	●
Bleach dispenser	●	●
Fabric softener dispenser	●	●
End-of-cycle signal	Fixed	Adjustable
Final Spin/Speed selections	4	Automatic
Number of wash cycles	14	8
Cotton		
Heavy Soil	●	●
Medium Soil	●	●
Light Soil	●	●
Easy Care		
Medium Soil/Perm. Press	●	●
Light Soil/Wrinkle Free	●	●
Delicates/Ultra Care	●	●
Pre-Wash	●	●
Quick Wash	●	●
Extra-Rinse Cycle/Auto Option	3	2
Max. Spin speed	950	850
AutoTemp	●	●
Noise package	Deluxe	Standard
Energy star	●	●
Leveling legs	●	●
Rear rollers	●	●
Stainless steel wash drum	●	●
Appearance		
Colors available	Bisque, White on white	White on white
Weights & Dimensions		
Approx. shipping wt. (lbs.)	217	217
Flexible installation	Undercounter, stacked, side-by-side	

*HC = Hot-Cold, WW = Warm-Warm, WC = Warm-Cold, CC = Cold-Cold.

Washer Dimensions (in inches)



Washer Specifications

Circuit Requirements: An individual, properly-grounded branch circuit, with a three-prong grounding-type receptacle, protected by a 15 or 20 amp circuit breaker or time-delay fuse is required.

Electrical Requirements: 120V, 60 Hertz, 12.0 Amps

See Pub. No. 31-2819 for installation information.

Special Installation Requirements

Undercounter Installation

- Accessory mounting kits are required for undercounter installation. To order, call 1-800-848-7722.
- Washer—Order Pub. No. 14-A037
- Dryer—Order Pub. No. 14-A008

Stacked Installation

- Brackets for stacking dryer over washer are included with the dryer.

Alcove or Closet Installation

- If your dryer is approved for installation in an alcove or closet, it will be stated on a label on the dryer back.
- The dryer MUST be exhausted to the outdoors.
- See EXHAUST INFORMATION on previous page.

- Minimum clearances between dryer cabinet and adjacent walls or other surfaces are:
 - 0" either side
 - 3" front and rear

- Minimum vertical space from floor to overhead cabinets, ceilings, etc. is 52".
- Closet doors must be louvered or otherwise ventilated and must contain a minimum of 60 sq. in. of open area equally distributed. If this closet contains both a washer and a dryer, doors must contain a minimum of 120 sq. in. of open area equally distributed.
- The closet should be vented to the outdoors to prevent gas pocketing in case of a gas leak in the supply line.
- No other fuel-burning appliance shall be installed in the same closet with the dryer.

Bathroom or Bedroom Installation

- The dryer MUST be exhausted to the outdoors. See EXHAUST INFORMATION on previous page.
- The installation must conform with the local codes, or in the absence of local codes, with the National Fuel Gas Code, ANSI Z223.

Minimum Clearances other than Alcove or Closet Installations

- Minimum clearances to combustible surfaces:
 - 0" both sides
 - 3" rear

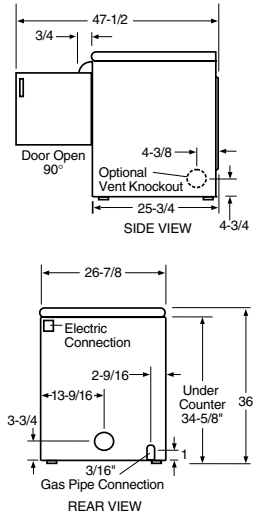
For more information on venting kits and accessories, please call 1-800-GE-CARES.

See page 158 for warranty information.

Front Loading Matching Dryer

	GE Profile™	GE
	DPXH46EA/GA	DSXH43EA/GA
Capacity		
Capacity	Extra-Large	Extra-Large
Cubic Feet	5.7	5.7
Features		
Tumble Drying	●	●
Time Dry Cycles	1	1
Auto Dry Cycles	3	2
Sensor Dry	●	●
ColorLogic™ 2000	●	●
Temperature Options	4	4
Regular/Cottons	●	●
Medium/Perm. Press	●	●
Low/Delicates	●	●
Air Fluff/No Heat (Cool Down)	●	●
Wrinkle Care cycle	2	●
Moisture sensor	●	●
Drying rack	●	●
Auto Dry Cycles		
Cottons	●	●
Easy Care	●	●
Knits/Delicate	●	●
Cool Down	●	●
Quick Clean Lint Screen	●	●
End-of-Cycle Signal	Fixed	Adjustable
Drum Light	●	●
Reverse-A-Door	●	●
Dura Finish Top and Drum	●	●
Spill-Saver Top	●	●
Poly Tumbling Vanes	●	●
Leveling Legs	●	●
100% Front Serviceable	●	●
Exhaust Options (Electric/Gas)	4/3	4/3
Heavy-Duty Suspension System	●	●
Appearance		
Colors available	Bisque, White on white	White on white
Weights & Dimensions		
Approx. Shipping Weight (Elec/Gas)	116	116
Flexible installation	Undercounter, stacked, side-by-side	
LP conversion kit	WE25X10003	WE25X10003

Dryer Dimensions (in inches)



Dryer Exhausting Information— Use Metal Duct Only

	Number of 90° Turns	Best Performance	
		A	B
Front Loading Dryers		Maximum Length of 4" Dia. Rigid Metal Duct	
		Exhaust Hood Type	
		4" Opening	2-1/2" Opening
	0	60 ft.	48 ft.
	1	52 ft.	40 ft.
		Maximum Length of 4" Dia. Flexible Metal Duct	
		Exhaust Hood Type	
		4" Opening	2-1/2" Opening
	0	30 ft.	18 ft.
	1	22 ft.	14 ft.
	2	14 ft.	10 ft.

Dryer Specifications

Exhaust options:

Electric: 4-way via rear, right, left and bottom.

Gas: 3-way via rear, right and bottom. Dryer is shipped exhausted to the rear.

Exhaust Elbow Kit:

Order Pub. No. 14-A018.

Electrical Requirements:

208/240V, 3 Wire, 5600W, 24A, 60 Hz

208V, 3 wire, 4400W, 22A, 60 Hz

Gas Requirements: 120V, 60 Hz, 6 A

See Pub. No. 49-9963-2 for installation information.

General Information for Dryer Exhausting

Minimizing the length of ductwork and the number of turns in an exhaust system minimizes the potential for lint to settle and accumulate in the exhaust duct and in the interior cabinet of the dryer. Refer to your specific dryer installation instructions for recommended duct length.

1. Wall Caps And Other Terminations

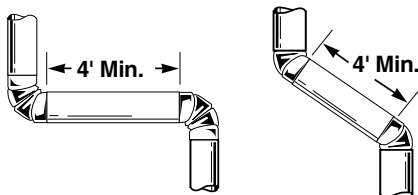
All exhaust systems must be terminated in a manner that will prevent backdrafts from outside as well as prevent birds or other wildlife from building nests or taking refuge in the ductwork. The wall cap should present minimal resistance to the flow of exhaust air and should require little maintenance to prevent clogging. **The preferred termination is either a dampered wall cap with a 4" wide opening or a movable louvered wall cap.** A 2-1/2" wall cap restricts airflow and increases drying time. It must be installed with the opening down, and installed at a minimum of 12" above ground level or any other obstruction. Special consideration should be given in areas where heavy snow drifts are likely to occur to ensure the wall cap does not become obstructed. Other types of terminations, such as roof vents or louvered plenum chambers, are acceptable providing **they are equivalent to the 4" dampered wall cap.** They must contain at least 14 square inches of ventilation area and afford adequate protection against backdrafts.



Exhaust ducts must not contain screens or other filtering devices which may become clogged with lint. The dryer exhaust must not terminate in an ordinary chimney, under an enclosed house floor or crawl space, or into an attic, since any accumulated lint could create a fire hazard and the moisture could cause damage. **Never terminate the exhaust into a common duct or plenum with a kitchen hood exhaust since the combination of grease and lint could create a fire hazard.**

2. Separation Of Turns In The Ductwork

All turns in the exhaust system, external to the dryer itself, including the distance from the last turn to the dampered wall cap, should be separated by at least 4' of straight metal duct. This will reduce the added resistance which results from rapid changes in airflow direction inside the ducting. If two turns must be closer than 4', deduct 10' from the maximum lengths shown in the chart on page 223.



3. Treatment Of Turns Other Than 90°

One turn of 45° or less may be ignored. Two such turns should be treated as one 90°. Each turn over 45° should be treated as one 90°. Refer to specific dryer installation for maximum duct lengths and for allowable number of 90° bends. In determining the number of turns for an exhaust system, one 90° turn must be added for the bend made inside the cabinet whenever the dryer is exhausted through the right, left or bottom. NOTE: Some dryers are limited to only rear exhausting. Consult the installation instruction for the type of dryer being used.

4. Use Of Flexible Metal Ducting

We recommend the use of 4" diameter rigid metal ducting for permanent and transition venting. Permanent venting is from the wall, floor or ceiling to the outside. Transition venting is from the dryer to the wall, floor or ceiling. If all rigid ducting cannot be used then flexible all metal ducting may be used, if the following precautions are adhered to:

- Use only 4" diameter all metal ducting.
- Never use foil or other ducting that can be easily punctured with a screwdriver or nail.
- It must not be allowed to collapse, kink or sag when the dryer is in its final installed position. Required turns in the exhaust system should be made with rigid elbows.
- Use the shortest duct length possible. Don't exceed the maximum allowable duct length specified in the installation instructions.
- Stretch the duct to its maximum length.
- To reduce the risk of fire, **NEVER USE PLASTIC OR OTHER COMBUSTIBLE DUCTWORK.**

NOTE: In special installations where it is impossible to use all metal rigid or all metal flexible duct for transition venting, UL Listed clothes dryer transition duct may be used. The following additional precautions should be followed if this type of ducting is used.

- Never use transition duct beyond the wall, ceiling or floor inside the dryer.
- Avoid resting the duct on sharp objects.

Please refer to the installation instructions for additional exhaust information.

5. Sealing Of Joints

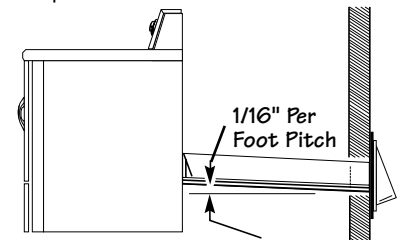
All duct joints should avoid leaks. Duct joints should be made air and moisture tight by wrapping the overlapped joints with duct tape. The male ends of each section of duct should point away from the dryer.

Do not assemble the ductwork with screws or other fasteners that extend into the duct. They will serve as a collection point for lint.

6. Water Condensation

Condensation in a dryer exhaust system is caused by the moisture in the exhausted air contacting the cold inner surfaces of the ductwork. Condensation, which forms at the beginning of the drying cycle, will dissipate quickly after the ductwork becomes heated. If the ductwork passes through an area which keeps it cool throughout the drying cycle, considerable condensation within the duct can be expected. This can result in rapid accumulation of lint in the ductwork.

Ductwork which runs through an unheated area or is situated adjacent to an air conditioning duct should be insulated to avoid such condensation problems. Joints should be tight to avoid leaks and, where feasible, the duct should be dropped 1/16" per foot toward the termination.



7. Accessibility For Cleaning

Since it may be necessary from time to time to remove lint from the inside of the ductwork, it is important that the exhaust system be installed with a provision for periodic inspection and cleaning. Some provision should be made for access to turns and straight runs of duct installed in an enclosed area, such as above plastered ceilings. Special consideration should be given to the amount of maintenance required for roof caps on vertical installations, since the user cannot be expected to make frequent inspections or cleanings.

8. In Line Exhaust (Booster) Fans

Use of In Line exhaust (booster) fan for single unit installation is not recommended:

- Operator may forget to turn it on.
- It may block.
- It may fail without Operator noticing it.

Single Family-Type Dwellings

For more detailed information, refer to the installation instructions for the specific dryer model selected.

Mobile or Manufactured Home Installation

Gas Dryer installation must conform with local Gas Codes and with CGA B149.1 or B149.2 (Installation code for Gas Burning Appliances and Equipments).

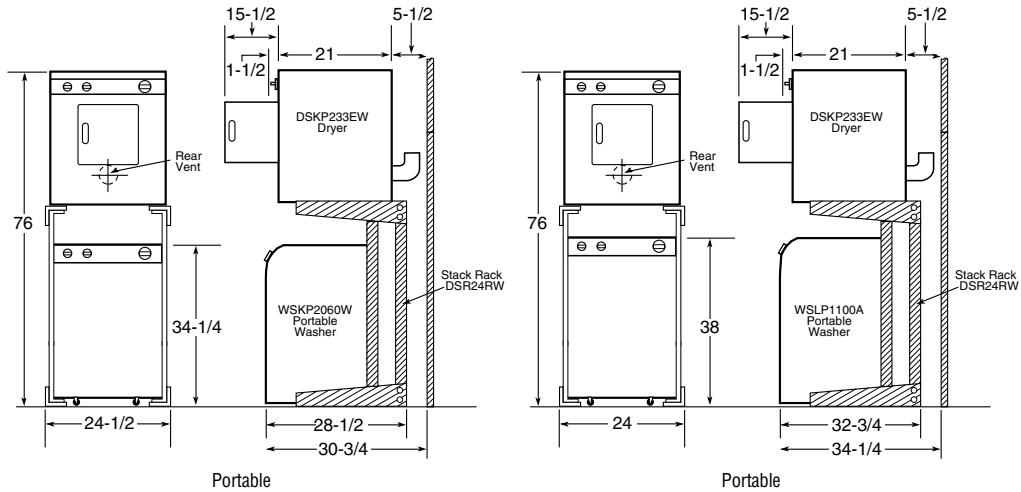
All Dryer Installations must conform to Manufactured Home Construction and Safety Standard, Title 24 CFR, Part 32-80. The dryer **MUST** be exhausted to the outdoors with the termination securely fastened to the mobile home structure. The exhaust **MUST NOT** be directed underneath the mobile home.

Spacemaker® Portable/Stationary Models

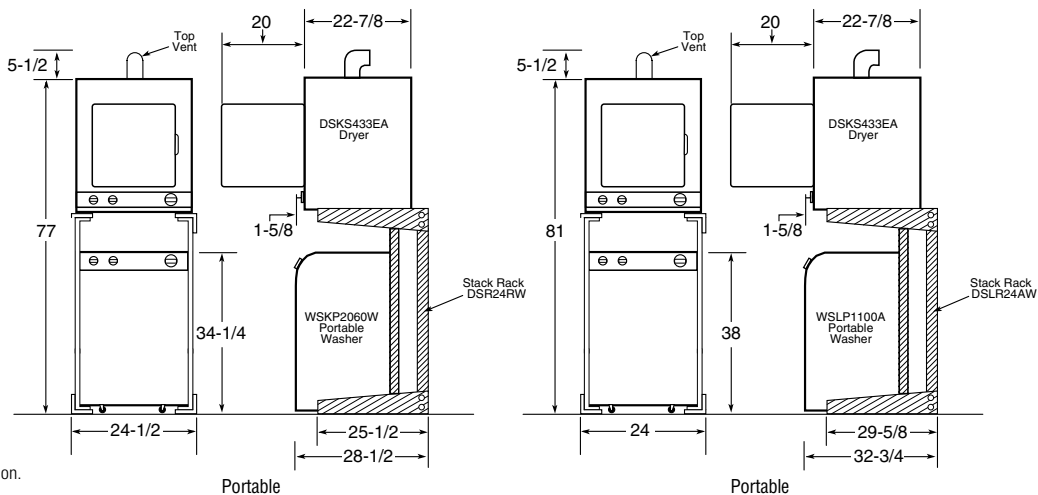
Individual Spacemaker® Washers	GE			
	Stationary WSKS2060W	Portable WSKP2060W	Stationary WLSL1100A	Portable WSLP1100A
Capacity				
Capacity	Compact	Compact	Extra-Large	Extra-Large
Features				
Wash/spin speed combinations	2	2	1	1
Wash/rinse temperatures	3	3	4	4
Water levels	4	4	4	4
Number of cycles	6	6	10	10
Cycle countdown			Digital	Digital
Regular				
Heavy Soil	●	●	●	●
Medium Soil	●	●	●	●
Perm. Press				
Medium Soil	●	●	●	●
Light Soil	●	●	●	●
Delicates	●	●	●	●
Spin only	●	●	●	●
One touch load sensing			●	●
Automatic cool down			●	●
Bleach dispenser	●	●	●	●
Fabric softener dispenser			●	●
Automatic detergent dispenser			●	●
Lint filter	●	●	2 Removable	2 Removable
Quiet pump	●	●	●	●
Easy-roll rollers		●	●	●
Basket material	PermaTuf II	PermaTuf II	Stainless Steel	Stainless Steel
Appearance				
Colors available*	White with granite-look top	White with granite-look top	WW, AA	WW, AA, WH
Weights & Dimensions				
Circuit requirements	120V, 60 Hertz, 15 or 20 Amps			
Dimensions (HxWxD in inches)**	34-1/4 x 22-1/4 x 24	34 x 22-1/4 x 24	37-1/2† x 23-5/8 x 26	38 x 23-5/8 x 26
Approx. shipping wt. (lbs.)	109	109	114	116

*Colors available: WW = White on white, AA = Almond on almond, WH = White with black controls.
 **Depth measured from front of control knob.
 †With leveling legs extended.

Rear vent installation



Top vent installation:



Individual Spacemaker® Dryers	GE	
	DSKS433EA	DSKP233EW*
Capacity		
Capacity	Compact	Compact
Features		
Dry control	Automatic	Automatic
Heat selections	4	2 (timer)
Number of dry cycles	3	3
Auto. Reg.— Perm. Press		●
Auto. Perm. Press & Delicate	●	
Auto. Reg.	●	
Timed Regular (min.)	140	105
Air Fluff (min.)	(Heat Selection)	10
Separate start switch	●	●
Control location	Mid-Band	Top
End-of-cycle signal		●
Lint filter	Up-Front	Back of Drum
Appearance		
Colors available**	WW, AA	WH
Weight & Dimensions		
Exhaust options***	4-Way	Rear
Circuit requirements	240/208V†, 60 Hertz, 30 Amp	120V, 60 Hertz, 30 Amp
Power cord	No Cord	6 feet
Dimensions (HxWxD in inches)	33-1/4 x 23-7/8 x 24-1/2	32 x 23-7/8 x 23-5/8
Approx. shipping wt. (lbs.)	108	100

*Dryer comes equipped with casters and stationary leveling legs.
 DSKP233EW approved for DSR24RW only.
 **Colors available: WW = White on white, AA = Almond on almond, WH = White with black controls.
 ***DSKS433EA shipped exhausted through the top. DSKP233EW exhausted to rear only.
 †240/208 volt outlet: Rear-mounted outlet on DSKS433EA approved for use with Washer/Dryer Stack Rack DSR24RW or DSLR24AW.
Circuit Requirements: An individual, properly-grounded branch circuit of the proper voltage and frequency as specified on the rating plate, with no other appliances or fixtures in circuit, is required.

Unitized Spacemaker® Washer/Dryer Models

	GE			
	Electric	WSM2700W		WSM2420T
Gas	WSM2780W		WSM2480T	
Washer	Washer	Dryer	Washer	Dryer
Capacity				
Capacity	X-Large	X-Large	Compact	Compact
Features				
Wash/spin speed combinations	1		2	
Wash/rinse temperatures	3		3	
Water levels	3		3	
Number of wash cycles	3		3	
Regular	•		•	
Perm. Press	•		•	
Delicates	•		•	
Unbalanced load control	•		•	
Lint filter	•		•	

Dryer				
Features				
Automatic dry control		•		•
Number of dry cycles		4		4
Auto Regular		•		•
Auto Perm Press				•
Delicates		•		
Timed		•		•
Air Fluff		•		•
Control location		Mid-Band		Mid-Band
Exhaust options		Rear		Rear/Sides

Appearance		
Colors available	White on white Almond on almond	White on white**

Weight & Dimensions		
Dimensions (HxWxD in inches)	75-1/2 x 27 x 30-13/16*	71-3/4 x 23-7/8 x 27-1/4*
Approx. shipping wt. (lbs.)	300	238

*Depth dimension assumes water hook-up is recessed in the wall.
 **Electric model is also available in Almond on almond.
Note: The third prong on the WSM2780W plug configuration is a flat spade type rather than a typical round probe. It requires a matching wall outlet.

Electrical Requirements

WSM2700W: Electric Dryer—This appliance should be connected to an individual, properly-grounded branch circuit with 120/240V or 120/208V single-phase 60 Hz electrical service and should be protected by 30-amp time-delay fuses or circuit breakers. This appliance is manufactured with neutral connected to the frame. Power cord should be purchased separately.

WSM2420T: Electric Dryer—This appliance should be connected to an individual, properly-grounded branch circuit with 120/240V single-phase 60 Hz electrical service and should be protected by 30-amp time-delay fuses or circuit breakers. This appliance is manufactured with the neutral connected to the frame. Power cord should be purchased separately.

NOTE: THESE APPLIANCES ARE NOT APPROVED FOR 120-VOLT OPERATION.

WSM2480T: Gas Dryer—This appliance should be connected to an individual, properly-grounded branch circuit with a three-prong grounding-type receptacle and 120-volt single-phase 60 Hz electrical service and should be protected by 15 or 20-amp time-delay fuses or circuit breakers. This appliance is equipped with a 6-foot long flexible U.L. listed 20-amp power cord to match a 15-amp receptacle.

Gas Rated input 10,500 BTU/HR. Factory equipped for natural gas. Tested for LP gas.

WSM2780W: Gas Dryer—This appliance should be connected to an individual branch circuit with 120-volt single-phase 60 Hz electrical service and should be protected by 20-amp time-delay fuses or circuit breakers. This appliance is equipped with a 4-foot long flexible U.L. listed 20-amp power cord to match a 20-amp receptacle.

Gas Rated input 20,000 BTU/HR. Factory equipped for natural gas.

LP gas supply requires a conversion kit.

Kits: WSM2780W—WE25X206
 WSM2480T—WE25X0219

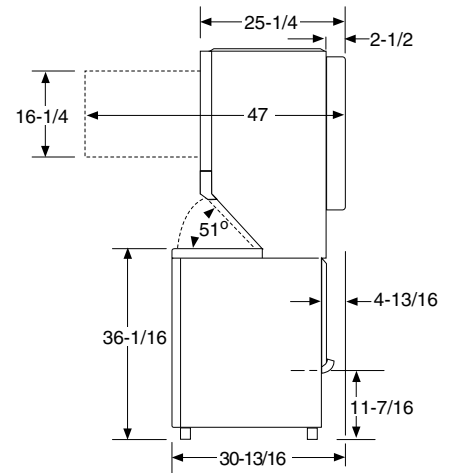
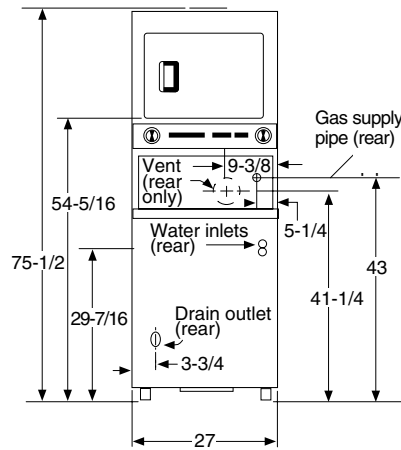
Have a qualified gas technician install a conversion kit before use.

Exhaust Information

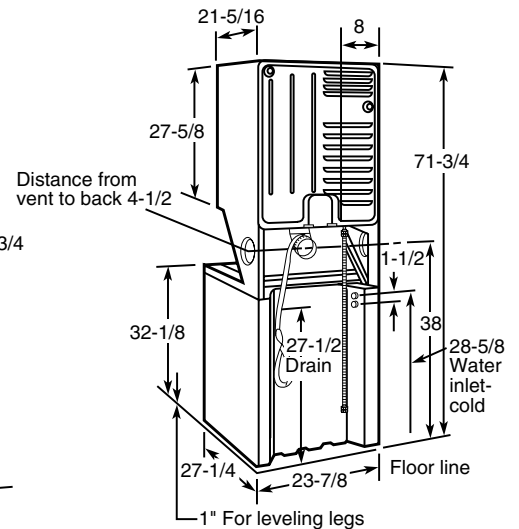
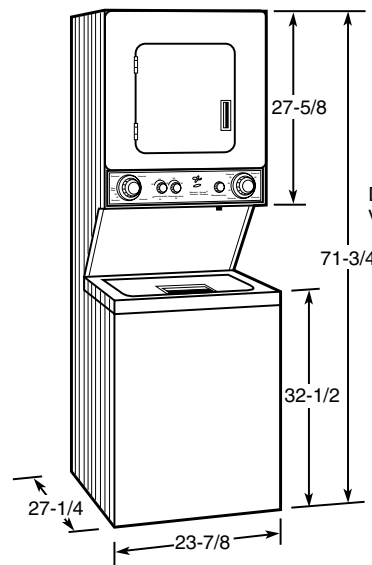
See "Dryer Exhausting Information" on page 223.

For complete information see installation instructions packed with the product.

Models WSM2700W and WSM2780W Dimensions (in inches)



Models WSM2420T and WSM2480T Dimensions (in inches)



Refrigeration

Cooking Products

Microwave Ovens

Dishwashers

Clothes Care

Water Systems

Air Conditioning

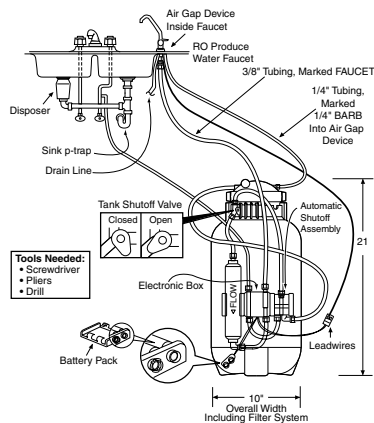
GE SmartWater™ Reverse Osmosis Filtration Systems

	GE Profile Performance Series™		GE Profile™	GE
	PNRV18ZWW PNRV18CCC PNRV18ZBB	PNRV18ZWH PNRV18ZBL	PNRV12ZBL	GXRV10ABL
Capacity				
Storage Tank Capacity (gals.)	1.9	1.9	2.1	1.3
Features				
SmartWater™ Faucet	Electronic Monitor	Electronic Monitor	Electronic Monitor	Short-Reach
Faucet Color	White on white Bisque Black on black	Chrome with white Bisque with white Chrome with black	Chrome with black	Chrome with black
Output Per Day (gals.) – Production Rate (gpd) as tested by WQA Standard S-300	18*	18*	12	10
Process Water Used (per gal.)	4	4	4	4
Working Pressure (psi)	40 min. - 125 max.	40 min. - 125 max.	40 min. - 125 max.	40 min. - 125 max.
Max. TDS Removal (ppm)	2000	2000	2000	2000
Percent TDS Removal** (ppm)	75-92	75-92	75-92	75-92
Percent Cysts Reduction	99.95 effective	99.95 effective	99.95 effective	99.95 effective
Max. Hardness	10 grains	10 grains	10 grains	10 grains
Feed Water pH limits	4-10	4-10	4-10	4-10
Operation and Storage Water Temperature	40-100° F	40-100° F	40-100° F	40-100° F
Auto Shut-Off	●	●	●	●
Filters & Membrane				
RO Membrane	FX18M Thin Film Polyamid (TFP)	FX18M Thin Film Polyamid (TFP)	FX12M Thin Film Polyamid (TFP)	FX12M Thin Film Polyamid (TFP)
Pre-Filter (Sediment)	FX18P-Act. Carbon Block	FX18P-Act. Carbon Block	FX12P-Carbon Composite	FX12PA-Carbon Block
Post-Filter (Taste/Odor)	FX18P-Gran. Act. Carbon	FX18P-Gran. Act. Carbon	FX12P-Carbon Composite	FX12PA-Carbon Block
RO Filtration Indicator	Electronic	Electronic	Electronic	Electronic
Filter Change Indicator	Electronic	Electronic	Electronic	Electronic
Under counter Installation (kit included)	●	●	●	●
Optional Basement Installation (hardware not included)	●	●	●	●
Appearance				
Style	All-In-One	All-In-One	Bracket	Bracket
Unit Color	Grey	Grey	Grey	White
Filter Housing	Opaque	Opaque	Opaque	Opaque
Weights & Dimensions				
Approximate Shipping Weight (lbs.)	16	16	23	20
Overall W x H x D (in.)	10 x 21 x 10	10 x 21 x 10	17 x 16 x 5-3/4 (unit) 11 x 17 x 11 (tank)	17 x 16 x 5-3/4 (unit) 9 x 15 x 9 (tank)
Power/Ratings				
Faucet Monitor Power Requirement	4 AA batteries (included)	4 AA batteries (included)	4 AA batteries (included)	
Accessories (available at additional cost)				
Supplemental Tank	RVTNK1	RVTNK1	RVTNK1	RVTNK1
Storage Cabinet	RV18CBNT	RV18CBNT		
Icemaker Connection Kit	RVKIT	RVKIT	RVKIT	RVKIT

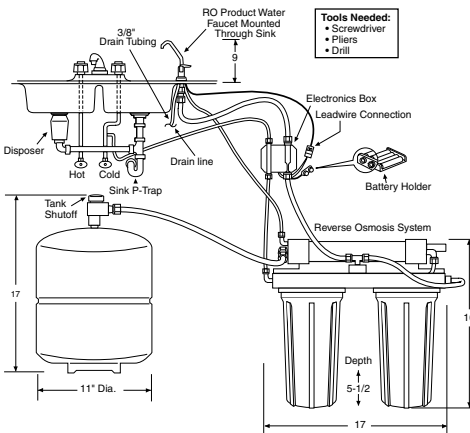
*Output according to ANSI/NSF Standard 58 as tested by Spectrum Labs, Inc. is 14 gals. per day. Feed water over 10 grains of hardness may affect performance of the filtration system.

**Feed water = 50 psig, 77°F, pH = 7.5 ± 5 and 750 ppm TDS as sodium chloride. Product water produced, amount of waste and percent rejection will vary with changes in pressure, temperature and total dissolved solids. Feed water over 10 grains of hardness may affect performance of the filtration system.

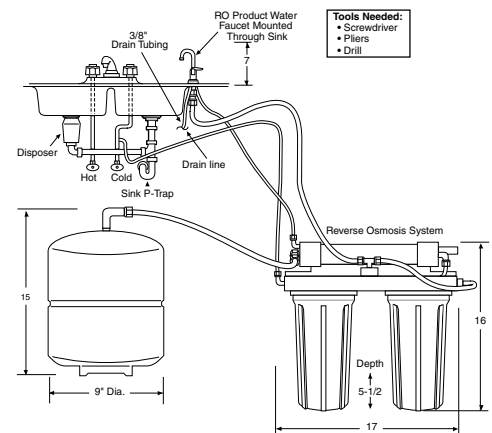
Models PNRV18ZWW/18CCC/18ZBB/18ZWH/18ZBL Installation Information (in inches)



Model PNRV12ZBL Installation Information (in inches)



Model GXRV10ABL Installation Information (in inches)



Installation and Parts Information

Note: R.O. System can be installed up to 30 feet from point-of-use/faucet.

Note: Can be installed under counter (as shown), in basement, or other convenient location. Before installing, see installation instructions packed with product for complete details.

Replacement Membranes, Pre- and Post-Filters

Call GE SmartWater Services, toll-free 800.952.5039 for convenient ordering.

Water Test Kit

To order a water test kit, call 800.626.2000.



GE Reverse Osmosis Models PNRV18Z, PNRV12Z and GXRV10ABL Series are tested and certified to ANSI/NSF Standard 58 for TDS and cyst reduction.

NSF Approved

NSF is the most highly recognized independent testing institution in the water treatment industry. NSF inspects our manufacturing facilities, structurally tests our product, tests our product to make sure nothing harmful is added to the water and certifies our product performance as specified on the performance data sheet (inside the product box).

SPECTRUM LABS INC.

The GE Reverse Osmosis models PNRV18Z, PNRV12Z and GXRV10ABL Series have been quality tested by an independent laboratory, Spectrum Labs, Inc.

Caution: Do not use with water that is micro-biologically unsafe or of unknown quality, without adequate disinfection before or after the system. Systems certified for cyst reduction may be used on disinfected water that may contain filterable cysts. This reverse osmosis unit contains a replaceable membrane cartridge treatment component critical for effective removal of Total Dissolved Solids. The water should be tested periodically to verify that the system is performing satisfactorily.

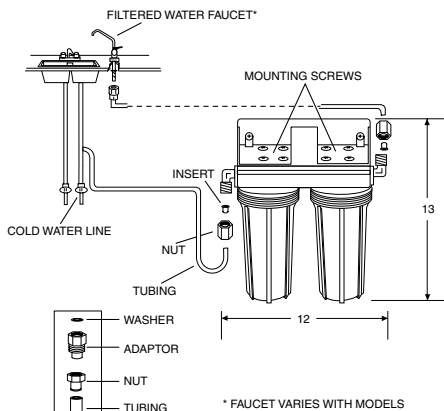
GE SmartWater™ Water Filtration Systems

	GE Dual Stage Drinking Water				GE Single Stage Drinking Water	
	GXSV10C	GNSV30CWW GNSV30CC GNSV25CBL	GXSL03C	GNSL05C	GX1S15C GN1S15C	GX1S01C
Features						
SmartWater™ Faucet	Short-Reach Electronic Monitor	Electronic Monitor	Short-Reach	Electronic Monitor	Short-Reach	Sold Separately
Faucet Color	Chrome w/black	White on white Bisque Chrome w/black	Chrome w/black	Chrome w/black	Chrome w/black	N/A
Feed Water Pressure (psi)	40 min.-125 max.	40 min.-125 max.	40 min.-125 max.	40 min.-125 max.	40 min.-125 max.	40 min.-125 max.
Feed Water Temperature	40-100°F	40-100°F	40-100°F	40-100°F	40-100°F	40-100°F
Filtered Water Flow (gpm)	0.5	0.6	0.6	0.6	0.6	
Filter I (Sediment)	Filter Set-FXSVC	Filter Set-FXSVC	Filter Set-FXSLC	Filter Set-FXSLC	FXULC	Sold Separately
Filter Cartridge	Block Act. Carbon	Polyspun Depth Filter	Polyspun Depth Filter	Polyspun Depth Filter	Spiral Wound Act. Carbon	
Filter II (Carbon block)	Filter Set-FXSVC (VOC)	Filter Set-FXSVC (VOC)	Filter Set-FXSLC (Lead,Cysts)	Filter Set-FXSLC (Lead,Cysts)	N/A	N/A
Filter Cartridge	Block Act. Carbon	Block Act. Carbon	Spiral Wound Act. Carbon	Spiral Wound Act. Carbon	N/A	
Particulate Removal	Absolute 1 micron	Absolute 1 micron	Nominal .5 micron	Nominal .5 micron	Nominal .5 micron	
Chlorine Reduction (percent / gals.)	98/540	99.5/1250	98/1250	99.5/6000	98/1250	
Filter Life	6 months	6 months	6 months	6 months	6 months	6 months
Lead Reduction (percent / gals.)	99/540	99/540	99/1250	99/1250	99/1250	
Cysts Reduction (percent)	99.99	99.99	99.99	99.99	99.99	
Turbidity Reduction (percent)	99	99	99	99	99	
VOC Reduction (percent / gals.)	99/540	99/540				
Lindane Reduction (percent / gals.) (A Pesticide)	●	●	91/1250	91/1250	91/1250	
Asbestos Reduction (percent)	99	99	99	99	99	
Filter Change Indicator	Electronic	Electronic	Sticker	Electronic	Sticker	Sticker
Installation Kit	●	●	●	●	●	SSKIT (sold separately)
Fittings	●	●	●	●	●	SSKIT (sold separately)
Optional Basement Installation (hardware not included)	●	●	●	●	●	●
Appearance						
Style	Bracket	Bracket	Bracket	Bracket	Bracket	Bracket
Unit Color	White	White	White	White	White	White
Filter Housing	White	White	White	White	White	White
Weights & Dimensions						
Approximate Shipping Weight (lbs.)	7	7	7	7	3.8	1.5
Overall W x H x D (in.)	12 x 13 x 4-5/8	12 x 13 x 4-5/8	12 x 13 x 4-5/8	12 x 13 x 4-5/8	5-1/2 x 13 x 4-3/4	4-3/4 x 13 x 4-3/4
Power/Ratings						
Faucet Monitor	2 AA batteries (included)	2 AA batteries (included)	N/A	2 AA batteries (included)	N/A	N/A
Power Requirement						
Accessories (available at additional cost)						
Icemaker Connection Kit	UCKIT	UCKIT	UCKIT	UCKIT	UCKIT	UCKIT
Faucet	UCFCTWW WOW		UNFCTWW WOW		UNFCTWW WOW	UNFCTWW/UNFCTBL WOW/BOC

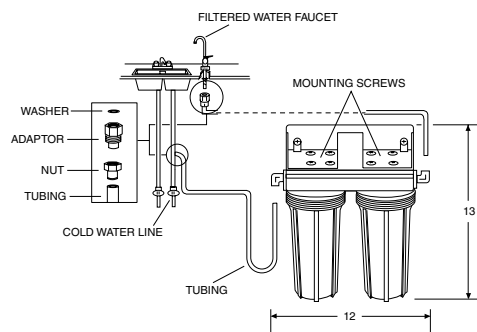
*Models GXSV10C, GXSL03C, GXUT03B, GXIS15C, GXIS01C have retail packaging
WOW=White on white, BOC=Black on chrome

Caution: Do not use with water that is microbiologically unsafe or of unknown quality, without adequate disinfection before or after the system. Systems certified for cysts reduction may be used on disinfected water that may contain filterable cysts.

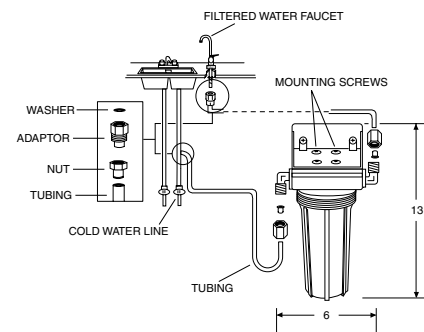
Models GNSV30BC/GNSV25C/GNSL05C Installation Information (in inches)



Models GXSV10C/GXSL03C Installation Information (in inches)



Models GXIS15C/GXIS01C/GN1S15C Installation Information (in inches)



Installation and Parts Information

Note: Can be installed under counter (as shown), in basement, or other convenient location. Before installing, see installation instructions packed with product for complete details.

Replacement Filters

Call GE SmartWater Services toll-free 800.952.5039 to order replacement filters.

Water Test Kit

To order a water test kit, call 800.626.2000.



NSF Approved
NSF is the most highly recognized independent testing institution in the water treatment industry. NSF inspects our manufacturing facilities, structurally tests our product, tests our product to make sure nothing harmful is added to the water and certifies our product performance as specified on the performance data sheet (inside the product box).

GX1S15C, GNSV25CBL, GNSV30CCC, GNSV30WWW, GNSL05C, GXSV10C and GXSL03C are Tested and Certified by NSF International against ANSI/NSF Standard 42 for Particulate Reduction Class I, Chlorine Reduction Class I and Taste and Odor Reduction.

GN1S15C, GNSL05C, GXSL03C and GX1S15C are Tested and Certified by NSF International against ANSI/NSF Standard 53 for Lead, Cysts, Turbidity, Asbestos and Lindane Reduction.

GXSV10C, GNSV25CBL, GNSV30CCC and GNSV30CWW are Tested and Certified by NSF International against ANSI/NSF Standard 53 for Lead, Cysts, Turbidity, Asbestos and VOC Reduction.

See page 159 for warranty information.

Refrigeration

Cooking Products

Microwave Ovens

Dishwashers

Clothes Care

Water Systems

Air Conditioning

GE SmartWater™ Refrigerator/Icemaker & Household Water Filtration Systems

Features	GE Refrigerator/Icemaker	
	GXILQ	GXITQ
Feed Water Pressure (psi)	25 min.-125 max.	25 min.-125 max.
Feed Water Temperature	40-100°F	40-100°F
Filtered Water Flow (gpm)	0.5	0.5
Filter Life	6 months	6 months
Filter Cartridge	Act. Carbon	Act. Carbon
Particulate Removal	Nominal 1 micron	Nominal 5 micron
Chlorine Reduction (gals.)	750	93% per 2000
Filter Life	6 months	6 months
Lead Reduction (percent/ gals.)	99/750	
Cysts Reduction (percent/ gals.)	99.95/750	
Filter Change Indicator	Sticker	Sticker
Fittings	Quick Connect	Quick Connect
Plumbing connections	1/4"	1/4"
Auto Shut-Off Valve	●	●
Appearance		
Style	Bracket	
Unit Color	White	White
Filter Housing	White	White
Weights & Dimensions		
Approximate Shipping Weight (lbs.)	2	2
Overall W x H x D (in.)	16 x 2-1/2 x 2-1/2	14 x 2 x 2
Accessories (● = included)		
Installation Kit	●	●
Replacement Filter		GXITQR

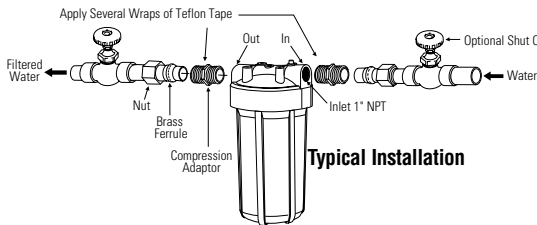
Important: All units must be installed according to local codes.

Caution: Do not use with water that is microbiologically unsafe or of unknown quality, without adequate disinfection before or after the system. Systems certified for cysts reduction may be used on disinfected water that may contain filterable cysts.

Replacement Filters

Call GE SmartWater Services toll-free 800.952.5039 to order replacement filters.

Features	GE Household		
	GXWH30C	GNWH08C GXWH08C	GXWH01C
Feed Water Pressure (psi)	40 min.-100 max.	40 min.-125 max.	40 min.-125 max.
Feed Water Temperature	40-100°F	40-100°F	40-100°F
Filtered Water Flow (gpm)	4-20	4-12	4-12
Filter Life	3 months	3 months	3 months
Filter Change Indicator	Sticker	Sticker	Sticker
Suitable for 1" Plumbing Connections	●		
Bypass Valve		2-Position	
Appearance			
Unit Color	White	White	White
Filter Housing	White	Clear	White
Weights & Dimensions			
Approximate Shipping Weight (lbs.)	8	4	2
Overall W x H x D (in.)	15 x 15 x 15	5-1/2 x 14-1/2 x 5	5-1/2 x 14-1/2 x 5
Accessories (● = included at additional cost)			
Installation Kit	●	●	WHKIT
Wrench	HDWRNCH	●	WHWRNCH
Replacement Filter			
Polyspun		●	FXUSC
String Wound		FXWSC	FXWSC
Pleated		FXWPC	FXWPC
Carbon Paper	FXHSC	FXWTS	FXWTC
Heavy Duty Carbon	FXHTC		



GE SmartWater™ Softening Systems

Capacity	GE Profile Performance Series™	GE Profile™	GE	
	PNSF39Z	PNSF35B	GXS F27B	GNS F18Z
Capacity (grains)	Super-38,500*	Extra-Large-35,000*	Large-27,000*	Compact-18,000*
Features				
Efficiency (grains per lb.-salt)	5200**	5200**	5200**	5000**
Max. Hardness Removal (gpg)	110	100	95	25
Max. Clear Water Iron Reduction (ppm)	8	6	5	3
Resin Filter Type	Std. mesh	Std. mesh	Std. mesh	Std. mesh
Resin Weight (lbs.)	52.00	49.4	36.9	38
Resin Quantity (cu. ft.)	1.00	.95	.71	.73
Resin Tank Size (in inches)	10 x 35	10 x 35	8 x 40	10 x 21
Salt Capacity (lbs.)	300	300	200	140
Water Used for Regeneration (gals.)	43-52	40-45	40-50	25-30
Regeneration Time (min.)	Approx. 118	Approx. 118	Approx. 118	Approx. 120
Service Flow Rate (at 15 psi drop)	10	9	8	7
Systems Monitor	●			
Electronic Controls	Backlit LCD		●	●
Permanent Settings Memory	●	●	●	●
Plumbing Connection	1"-NPT	1"-NPT	1"-NPT	1"-NPT
Appearance				
Spacesaver Design				●
Style	Cabinet	Cabinet	Round	Round
Unit Color	Grey	Grey	Grey	Grey
Electronic-Demand Driven	●	●	●	●
Weights & Dimensions				
Approximate Shipping Wt. (lbs.)	108	103	94	66
Overall W x H x D (in.)	14 x 45-1/4 x 24	14 x 45-1/4 x 24	18-1/4 x 48-3/4 x 18-1/4	18-5/8 x 29-1/2 x 18-5/8
Power/Ratings				
Electronic Rating	24V, 60Hz	24V, 60Hz	24V, 60Hz	24V, 60Hz

*PNSF39-Test protocol @ 16.0 lbs. of salt. PNSF35B-Test protocol @ 15.2 lbs. of salt. GXS F27B-Test protocol @ 11.4 lbs. of salt. GNS F18Z-Test protocol @ 6.3 lbs. of salt.
 **PNSF39-Test protocol @ 2.9 lbs. of salt. PNSF35B-Test protocol @ 2.8 lbs. of salt. GXS F27B-Test protocol @ 2.0 lbs. of salt. GNS F18Z-Test protocol @ 1.6 lbs. of salt.

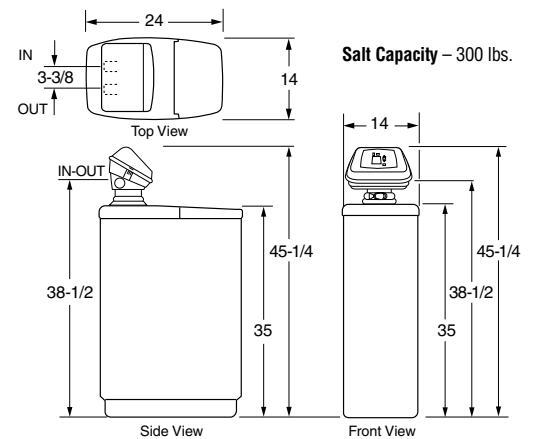
Important: All units must be installed according to local codes.

Note: Before installing, see installation instructions packed with product for complete details, or call GE QuickSpecs 800-432-3729.

See page 159 for warranty information.

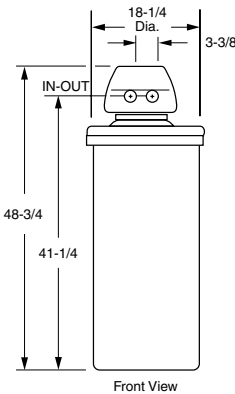
Installation Information (in inches)

Models PNSF39Z and PNSF35B



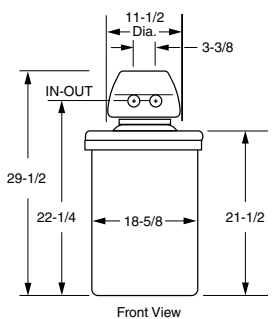
Model GXS F27B

Salt Capacity – 200 lbs.



Model GNS F18Z

Salt Capacity – 140 lbs.



Air Conditioning

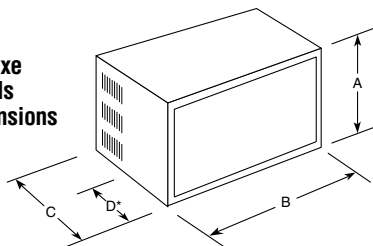
Features	GE Profile™									GE	
	230 Volt					115 Volt				Deluxe 115 Volt	
	ASM24DA	ASM22DA	ASM18DA	ASM16DA	ASM12DA	ASM14AA	ASM12AA	ASM10AA	ASM08FA	ASM06LB	
BTUH	23,700/23,100	22,000/21,500	18,000/17,500	15,600/15,200	12,500/12,200	14,000	12,500	10,000	8,000	6,000	
Voltage	230/208	230/208	230/208	230/208	230/208	115	115	115	115	115	
E.E.R. (BTUH/Watt)	8.8/8.8	8.8/8.8	10.0/10.0	9.7/9.7	10.0/10.0	10.0	10.0	10.0	10.0	10.0	
Amps	12.5/13.4	11.6/12.6	8.5/9.1	7.4/7.9	5.8/6.4	12.0	11.7	9.2	7.4	5.6	
Watts	2,695/2,625	2,500/2,440	1,800/1,750	1,610/1,570	1,250/1,220	1,400	1,250	1,000	800	600	
Plug type	Perpendicular	Perpendicular	Tandem	Tandem	Tandem	Parallel	Parallel	Parallel	Parallel	Parallel	
Energy Saver Feature (speeds)	●	●	●	●	●	●	●	●	●	●	
Electronic Control	●	●	●	●	●	●	●	●	●	●	
24-hour timer	●	●	●	●	●	●	●	●	●	●	
Dehumidification (pints/hr.)	7.2	7.0	5.5	3.6	3.4	3.5	3.4	3.0	2.5	1.6	
Circulaire™	●	●	●	●	●	●	●	●	●	●	
Fan Speeds (Cool/Fan Only)	3/3	3/3	3/3	3/3	3/3	3/3	3/3	3/3	3/2	3/2	
CFM (High Shown) (Indoor)	510	510	510	490	350	430	350	240	240	190	
Vent/exhaust	●	●	●	●	●	●	●	●	●	●	
Thermostat	Electronic	Electronic	Electronic	Electronic	Electronic	Electronic	Electronic	Electronic	10-Position	10-Position	
Filter type	One Touch Lift-Out	One Touch Lift-Out	One Touch Lift-Out	One Touch Lift-Out	One Touch Lift-Out	One Touch Lift-Out	One Touch Lift-Out	One Touch Lift-Out	One Touch Lift-Out	One Touch Lift-Out	
Chassis	Slide-Out	Slide-Out	Slide-Out	Slide-Out	Slide-Out	Slide-Out	Slide-Out	Slide-Out	Slide-Out	Slide-Out	
Window mounting	EZ Mount	EZ Mount	EZ Mount	EZ Mount	EZ Mount	EZ Mount	EZ Mount	EZ Mount	EZ Mount	EZ Mount	
Window opening height (min. in inches)	17-3/8	17-3/8	17-3/8	17-3/8	17-3/8	17-3/8	17-3/8	17-3/8	16-1/8	14-3/4	
Window opening width (min. in inches)	30	30	30	30	30	30	30	27-5/8	25-1/2	25-1/2	
Window opening width (max. in inches)	41	41	41	41	41	41	41	41	37	37	
Warranty*	Full 1-Yr. Full 5-Yr.	Full 1-Yr. Full 5-Yr.	Full 1-Yr. Full 5-Yr.	Full 1-Yr. Full 5-Yr.	Full 1-Yr. Full 5-Yr.	Full 1-Yr. Full 5-Yr.	Full 1-Yr. Full 5-Yr.	Full 1-Yr. Full 5-Yr.	Full 1-Yr. Full 5-Yr.	Full 1-Yr. Full 5-Yr.	

*See written warranty for details.

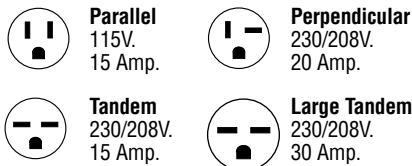
Features	GE												
	Value 230 Volt			Value 115 Volt						Slide-Aire			
	ASV24DA	AGV18DC	AGV12DB	ASV14AA	AGV12AB	AGV10AB	ASV08FA	AGV07LA	ASV06LB	ASV05LA	ASC05LA	AVX10AC	AVX07FB
BTUH	23,700/23,100	17,800/17,300	12,000/11,500	14,000	12,000	10,000	8,000	7,000	6,000	5,000	5,000	10,000	7,000
Voltage	230/208	230/208	230/208	115	115	115	115	115	115	115	115	115	115
E.E.R. (BTUH/Watt)	8.5/8.5	9.7/9.7	9.8/9.8	10.0	9.8	9.8	9.8	9.7	10.0	9.7	8.5	9.0	8.5
Amps	12.5/13.4	8.2/8.9	5.5/5.8	12.0	11.0	9.2	7.4	6.6	5.6	4.8	5.5	11.0	7.5
Watts	2,790/2,715	1,835/1,780	1,220/1,170	1,400	1,220	1,020	815	720	610	515	590	1,110	820
Plug type	Perpendicular	Tandem	Tandem	Parallel	Parallel	Parallel	Parallel	Parallel	Parallel	Parallel	Parallel	Parallel	Parallel
Energy Saver feature (speeds)	●	●	●	●	●	●	●	●	●	●	●	●	●
Dehumidification (pints/hr.)	6.5	5.5	3.5	3.5	3.3	3.0	2.5	1.8	1.6	1.5	1.5	3.1	2.5
Circulaire™	●	●	●	●	●	●	●	●	●	●	●	●	●
Fan speeds (Cool/Fan Only)	3/2	3/2	3/2	3/2	3/2	3/2	3/2	3/2	3/2	3/2	3/2	3/2	3/2
CFM (High Shown) (Indoor)	510	440	280	430	280	265	240	204	190	140	140	260	210
Vent/exhaust	Exhaust	Exhaust	Exhaust	Exhaust	Exhaust	Exhaust	Exhaust	Exhaust	Exhaust	Exhaust	No	Exhaust	Exhaust
Thermostat	8-Position	8-Position	8-Position	8-Position	8-Position	8-Position	8-Position	8-Position	8-Position	8-Position	8-Position	10-Position	10-Position
Filter type	One Touch Lift-Out	Rigid Frame/Slide-Out	Rigid Frame/Slide-Out	One Touch Lift-Out	Rigid Frame/Slide-Out	Rigid Frame/Slide-Out	One Touch Lift-Out	Rigid Frame/Slide-Out	One Touch Lift-Out	Rigid Frame/Slide-Out	Rigid Frame/Slide-Out	Foam	Foam
Chassis	Slide-Out	Slide-Out	Slide-Out	Slide-Out	Slide-Out	Slide-Out	Slide-Out	Slide-Out	Slide-Out	Slide-Out	Fixed	Plastic Portable	Fixed
Window mounting	EZ Mount	EZ Mount	EZ Mount	EZ Mount	EZ Mount	EZ Mount	EZ Mount	EZ Mount	EZ Mount	EZ Mount	EZ Mount	V-Std. Mount	V-Std. Mount
Window opening height (min. in inches)	17-3/8	18	16	17-3/8	16	16	14-3/4	14	14-3/4	12-7/8	13-3/16	21 - 40-1/2	21 - 40-1/2
Window opening width (min. in inches)	30	29	27	30	27	27	25-1/2	22	25-1/2	22	23	15-1/2	15-1/2
Window opening width (max. in inches)	41	41	39	41	39	39	37	36	37	36	35	—	—
Warranty*	Full 1-Yr. Full 5-Yr.	Full 1-Yr. Full 5-Yr.	Full 1-Yr. Full 5-Yr.	Full 1-Yr. Full 5-Yr.	Full 1-Yr. Full 5-Yr.	Full 1-Yr. Full 5-Yr.	Full 1-Yr. Full 5-Yr.	Full 1-Yr. Full 5-Yr.	Full 1-Yr. Full 5-Yr.	Full 1-Yr. Full 5-Yr.	Full 1-Yr. Full 5-Yr.	Full 1-Yr. Full 5-Yr.	Full 1-Yr. Full 5-Yr.

*See written warranty for details.

GE Profile™, Deluxe and Value Models Wall Case Dimensions



*Distance from front of case to side louvers (excluding grille).



Note: When installing units in through-the-wall applications, keep louvers free. Do not restrict air flow areas. Carry-Cool units are not designed for through-the-wall applications.

Note: Some models may not be available in your area due to local legislation. Contact your local dealer.

Wall Outlets
All wiring, including installation of receptacle, must be made in accordance with local electrical codes and regulations. Electrical outlet should be in reach of line cord.

Note: Aluminum wiring may pose special problems—consult a qualified electrician.

See page 159 for warranty information.

Refrigeration

Cooking Products

Microwave Ovens

Dishwashers

Clothes Care

Water Systems

Air Conditioning

Built-In “J” Series Units and Heat Pumps

GE										
Models	Chassis/Cool						Chassis/Cool High-Mount			
	AJCS06LC	AJCS08AC	AJCS10AC	AJCS09DC	AJCS10DC	AJCS12DC	AJCH08AC	AJCH10AC	AJCH10DC	AJCH12DC
Capacity										
BTUH-AHAM	6000	8000	9900	8900/8700	9900/9700	11,600/11,400	8000	9900	9900/9700	11,600/11,400
E.E.R.	9.5	9.2	9.2	9.5/9.5	9.2/9.2	9.0/9.0	9.2	9.2	9.2/9.2	9.0/9.0
Dehumidification (pints/hr.)	1.4	2.0	2.7	2.5	2.6	3.2	2.0	2.7	2.6	3.2
Features										
Fan speeds (Cool/Fan Only)	2/2	2/2	2/2	2/2	2/2	2/2	2/2	2/2	2/2	2/2
Airflow (cfm) roomside hi/low	210/180	250/210	250/210	250/210	250/210	265/230	250/210	250/210	250/210	265/230
Air exchange exhaust	•	•	•	•	•	•	•	•	•	•
Variable setting thermostat	•	•	•	•	•	•	•	•	•	•
Filter type	Slide-Out	Slide-Out	Slide-Out	Slide-Out	Slide-Out	Slide-Out	Slide-Out	Slide-Out	Slide-Out	Slide-Out
Rotary compressor	•	•	•	•	•	•	•	•	•	•
Economical/Quiet										
Fan cycle switch	•	•	•	•	•	•	•	•	•	•
Appearance										
Slide-out chassis	•	•	•	•	•	•	•	•	•	•
Installation	Wall	Wall	Wall	Wall	Wall	Wall	Wall	Wall	Wall	Wall
Wall case required	RAB46/47/48	RAB46/47/48	RAB46/47/48	RAB46/47/48	RAB46/47/48	RAB46/47/48	RAB46/47/48	RAB46/47/48	RAB46/47/48	RAB46/47/48
Weights & Dimensions										
Height (in inches) A	←-----→						←-----→			
Width (in inches) B	←-----→						←-----→			
Depth (in inches) C	←-----→						←-----→			
Approx. net weight (lbs.)	66	73	82	75	82	84	75	82	84	84
Approx. shipping weight (lbs.)	75	82	90	84	90	93	84	90	93	93
Power/Ratings										
Voltage	115	115	115	230/208	230/208	230/208	115	115	230/208	230/208
Amps-AHAM	5.7	7.9	9.7	4.2/4.6	4.9/5.3	5.8/5.3	7.9	9.7	4.9/5.3	5.8/6.3
Watts input	630	870	1075	935/915	1075/1055	1290/1265	870	1075	1075/1055	1290/1265
Line cord plug	Parallel	Parallel	Parallel	Tandem	Tandem	Tandem	Parallel	Parallel	Tandem	Tandem
Recommended circuit protection (time delay)	15 Amps	15 Amps	15 Amps	15 Amps	15 Amps	15 Amps	15 Amps	15 Amps	15 Amps	15 Amps

GE						
Models	Chassis/Heat/Cool			Chassis/Heat/Cool High-Mount	Chassis/Heat Pumps	
	AJES09DC	AJES10DC	AJES12DC	AJEH12DC	AJS08DC	AJHS10DC
Capacity						
BTUH-AHAM	8900/8700	9900/9700	11,600/11,400	11,600/11,400	8000/7800	9800/9600
E.E.R.	9.5/9.5	9.2/9.2	9.0/9.0	9.0/9.0	9.2/9.2	9.2/9.2
Dehumidification (pints/hr.)	2.5	2.6	3.2	3.2	2.0	2.6
Features						
Fan speeds (Heating/Cooling)	2/2	2/2	2/2	2/2	2/2	2/2
Fan Only speeds	2	2	2	2	2	2
Airflow (cfm) roomside hi/low	250/210	250/210	265/230	265/230	250/210	250/210
Air exchange exhaust	•	•	•	•	•	•
Variable setting thermostat	•	•	•	•	•	•
Filter type	Slide-Out	Slide-Out	Slide-Out	Slide-Out	Slide-Out	Slide-Out
Rotary compressor	•	•	•	•	•	•
Economical/Quiet						
Fan cycle switch	•	•	•	•	•	•
Appearance						
Slide-out chassis	•	•	•	•	•	•
Wall case required	RAB46/47/48	RAB46/47/48	RAB46/47/48	RAB46/47/48	RAB46/47/48	RAB46/47/48
Installation	Wall	Wall	Wall	Wall	Wall	Wall
Window installation kit	Optional	Optional	Optional	Optional	Optional	Optional
Weights & Dimensions						
Height (in inches) A	←-----→			←-----→		←-----→
Width (in inches) B	←-----→			←-----→		←-----→
Depth (in inches) C	←-----→			←-----→		←-----→
Approx. net weight (lbs.)	77	84	84	86	75	84
Approx. shipping weight (lbs.)	86	93	93	95	84	93
Power/Ratings						
Voltage	230/208	230/208	230/208	230/208	230/208	230/208
Amps-AHAM	4.2/4.6	4.9/5.3	5.8/6.3	5.8/6.3	4.0/4.3	4.9/5.3
Watts input	935/915	1075/1055	1290/1265	1290/1265	870/850	1065/1045
Line cord plug	Perpendicular	Perpendicular	Perpendicular	Perpendicular	Perpendicular	Perpendicular
Recommended circuit protection (time delay)	20 Amps	20 Amps	20 Amps	20 Amps	20 Amps	20 Amps
Reverse Cycle Heating						
BTUH-AHAM					7700/7500	9700/9500
C.O.P. @ 47°F					3.0	3.0
Amps-AHAM					3.4/3.7	4.3/4.7
Watts input					750/730	950/930
Electric Resistance Heating						
BTUH-AHAM	11,600/9480	11,600/9480	11,600/9480	11,600/9480	11,600/9500	11,600/9500
Amps (Max. connected load)	16.0	16.0	16.0	16.0	16.0	16.0
Watts output	3400/2780	3400/2780	3400/2780	3400/2780	3400/2780	3400/2780

All cooling with electric heat models and heat pumps are corrosion treated. Specifications and design subject to change without notice.

Quiet-Aire™ – Split System Air Conditioners/Heat Pumps

	GE					
	Cooling Only			Heat Pumps		
	Indoor	AS1CD09AA0	AS1CD12AA0	AS1CD18DA0	AS1RD09AA0	AS1RD12AA0
Outdoor	ASOCD09AA0	ASOCD12AA0	ASOCD18DA0	ASORD09AA0	ASORD12AA0	ASORD18DA0
Cooling capacity (BTU/hr)	9,000	12,000	18,000/17,800	9,000	12,000	18,000/17,800
Heating capacity (BTU/hr)	N/A	N/A	N/A	9,000	12,000	19,000/18,700
Auto operation	●	●	●	●	●	●
Cooling fan speeds/fan only	3/3	3/3	3/3	3/3/3	3/3/3	3/3/3
LCD wireless remote	●	●	●	●	●	●
"Sleep Mode"	●	●	●	●	●	●
24 Hr. Timer (Delay Start/Pre-Set Stop)	●	●	●	●	●	●
Air flow, up & down—auto	●	●	●	●	●	●
Air flow, left/right—manual	●	●	●	●	●	●
EER, cooling	9.6	9.3	9.5/9.5	10.0	9.3	9.5/9.5
SEER, cooling	10.0	10.0	10.0/10.0	10.0	10.0	10.0/10.0
COP, heating	N/A	N/A	N/A	3.1	2.75	2.9/2.9
Watts, cooling	940	1290	1900/1870	900	1290	1900/1870
Watts, heating	N/A	N/A	N/A	860	1290	1900/1870
Voltage/Phase/Hz	115/60/1	115/60/1	230-208/60/1	115/60/1	115/60/1	230-208/60/1
Amperes, cooling	8.5	11.7	8.5/9.0	8.0	11.7	8.5/9.0
Amperes, heating	N/A	N/A	N/A	7.7	11.7	8.5/9.0
Temperature range—cool (°F)	64-86	64-86	64-86	64-86	64-86	64-86
Temperature range—heat (°F)	N/A	N/A	N/A	60-86	60-86	60-86
Temperature increments (°F)	2	2	2	2	2	2
Dehumidification (pints/hr.)	2.6	3.5	5.3	2.6	3.5	5.3
CFM (Indoor/Outdoor)	280/882	330/882	460/1835	280/882	330/882	460/1835
Washable air filter	●	●	●	●	●	●
Tube kit	Optional	Optional	Optional	Optional	Optional	Optional
Weights & Dimensions						
Indoor (H x W x D inches)	11.4 x 35.4 x 7.2	11.4 x 35.4 x 7.2	11.4 x 42.6 x 7.2	11.4 x 35.4 x 7.2	11.4 x 35.4 x 7.2	11.4 x 42.6 x 7.2
Weight (lbs.) shipping/net	28.7/19.8	28.7/19.8	33.0/24.2	28.7/19.8	28.7/19.8	33.0/24.2
Color	Dove White	Dove White	Dove White	Dove White	Dove White	Dove White
Carton (H x W x D inches)	14.6 x 38.2 x 9.9	14.6 x 38.2 x 9.9	14.6 x 45.6 x 9.9	14.6 x 38.2 x 9.9	14.6 x 38.2 x 9.9	14.6 x 45.6 x 9.9
Outdoor (H x W x D inches)	21.9 x 31.6 x 10.3	21.9 x 31.6 x 10.3	25.8 x 34.3 x 12.6	21.9 x 31.6 x 10.3	21.9 x 31.6 x 10.3	25.8 x 34.3 x 12.6
Weight (lbs.) shipping/net	83.8/77.2	83.8/77.2	130/121	83.8/77.2	83.8/77.2	130/121
Color	Pigeon Grey	Pigeon Grey	Pigeon Grey	Pigeon Grey	Pigeon Grey	Pigeon Grey
Carton (H x W x D inches)	23.9 x 37.8 x 15.1	23.9 x 37.8 x 15.1	28.1 x 40.3 x 17.4	23.9 x 37.8 x 15.1	23.9 x 37.8 x 15.1	28.1 x 40.3 x 17.4

Optional Tube Kits

	9,000 BTU/Hr. Models	
	TUS1542	TUS2542
Insulated Tubing	15'	25'
Wiring	30'	30'
Wall Hole Sleeve	Standard	Standard
Suction Line	0.5"	0.5"
Liquid Line	0.25"	0.25"

	12,000 BTU/Hr. Models	
	TUS1542	TUS2542
Insulated Tubing	15'	25'
Wiring	30'	30'
Wall Hole Sleeve	Standard	Standard
Suction Line	0.5"	0.5"
Liquid Line	0.25"	0.25"

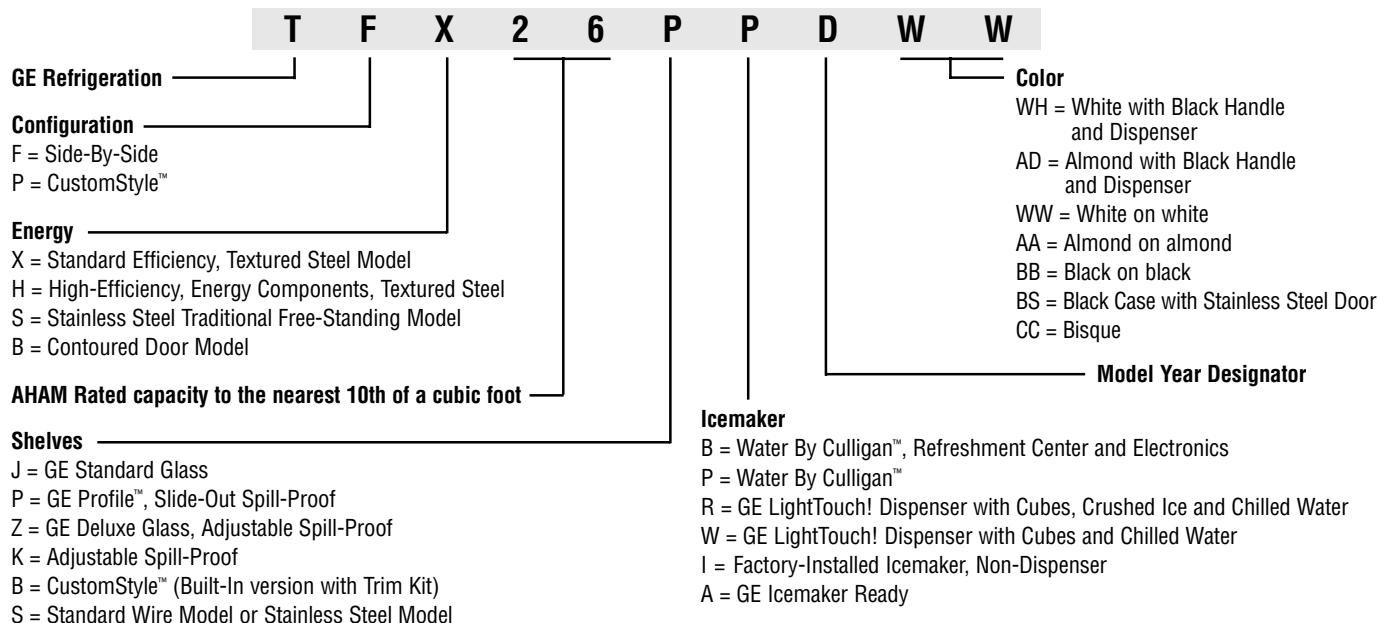
	18,000 BTU/Hr. Models	
	TUS1553	TUS2553
Insulated Tubing	15'	25'
Wiring	30'	30'
Wall Hole Sleeve	Standard	Standard
Suction Line	0.625"	0.625"
Liquid Line	0.375"	0.375"

Dehumidifiers

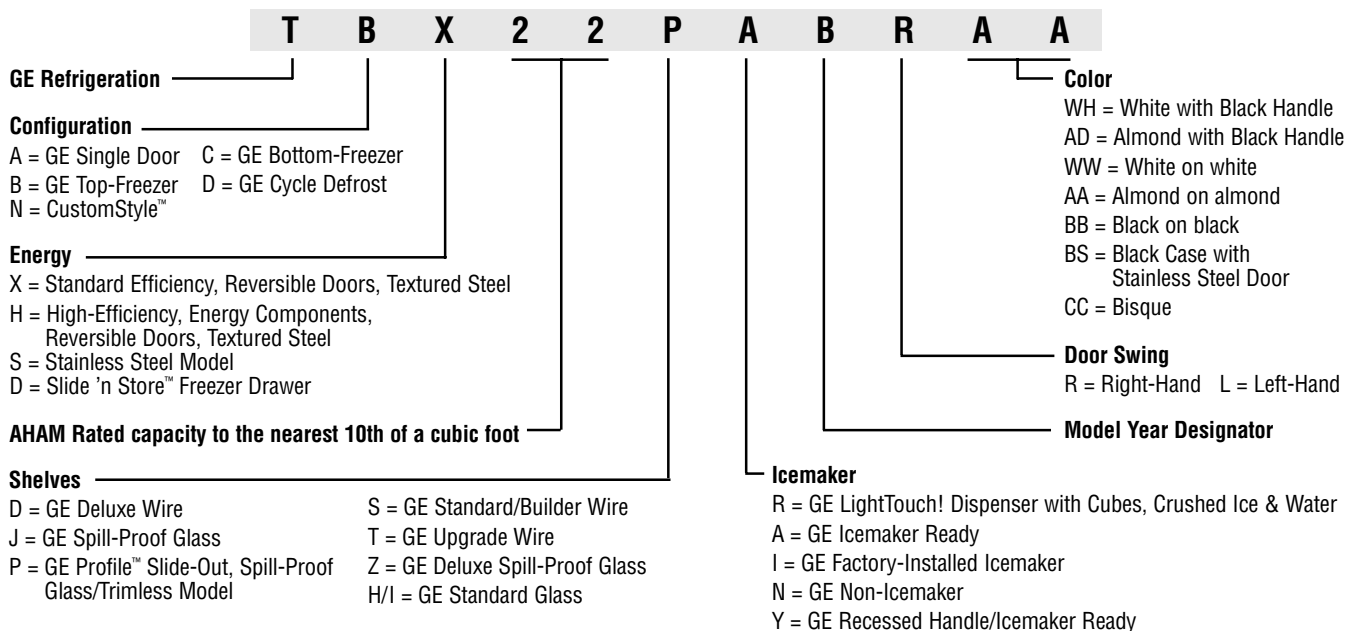
Features	GE Profile™		GE	
	AHG20LA	AHG50LA	AHG40LA	AHG25LA
Dehumidification (pints/day)	19	50	40	25
Dry Airflow (CFM)	63	113	131	134
Color	Gray	Cameo White	Cameo White	Cameo White
Electronic Control	●			
Auto Shut Off	●	●	●	●
Automatic Defrost	●	●	●	●
Water Full indicator	●	●	●	●
Fan speeds	1	2	2	2
Removable bucket with handle	●	●	●	●
Bucket capacity (pints)	6	24	24	24
External drain connector	●	●	●	●
Casters - 4 movable	●	●	●	●
Voltage	115	115	115	115
Watts	450	580	550	450
Amps	5.3	5.3	5.1	5.3
Circuit size (Amps)	15	15	15	15
Plug type	Parallel	Parallel	Parallel	Parallel
Case Dimensions				
Height (in inches)	22-5/8	20-7/8	20-7/8	20-7/8
Width (in inches)	12-1/4	12-5/8	12-5/8	12-5/8
Depth (in inches)	10-5/8	17-1/8	17-1/8	17-1/8
Shipping weight (lbs.)	42	48	48	54
Net weight (lbs.)	38	43	43	50
Warranty*	Full 1-Yr.	Full 1-Yr.	Full 1-Yr.	Full 1-Yr.
	Full 5-Yr.	Full 5-Yr.	Full 5-Yr.	Full 5-Yr.

*See written warranty for details.

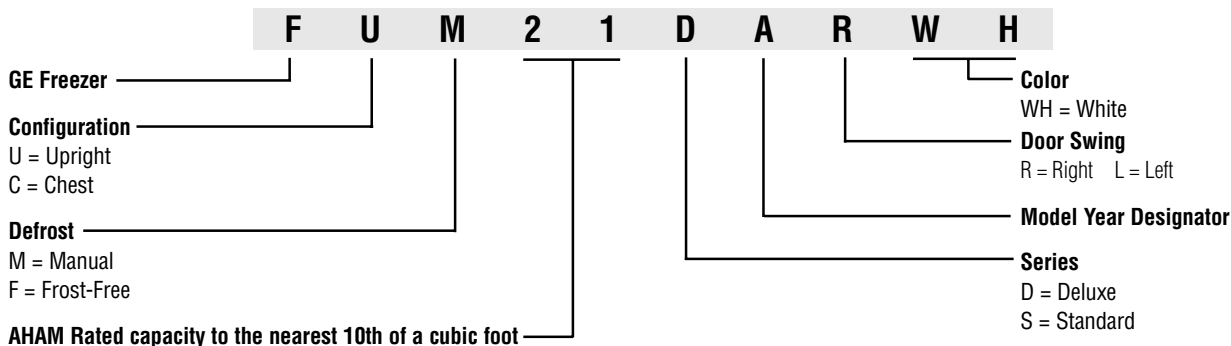
Reading Side-By-Side Refrigerator Nomenclature



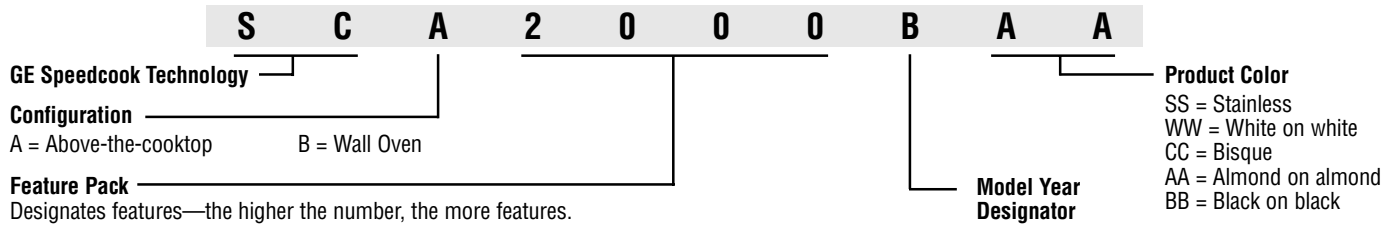
Reading Top- and Bottom-Freezer Refrigerator Nomenclature



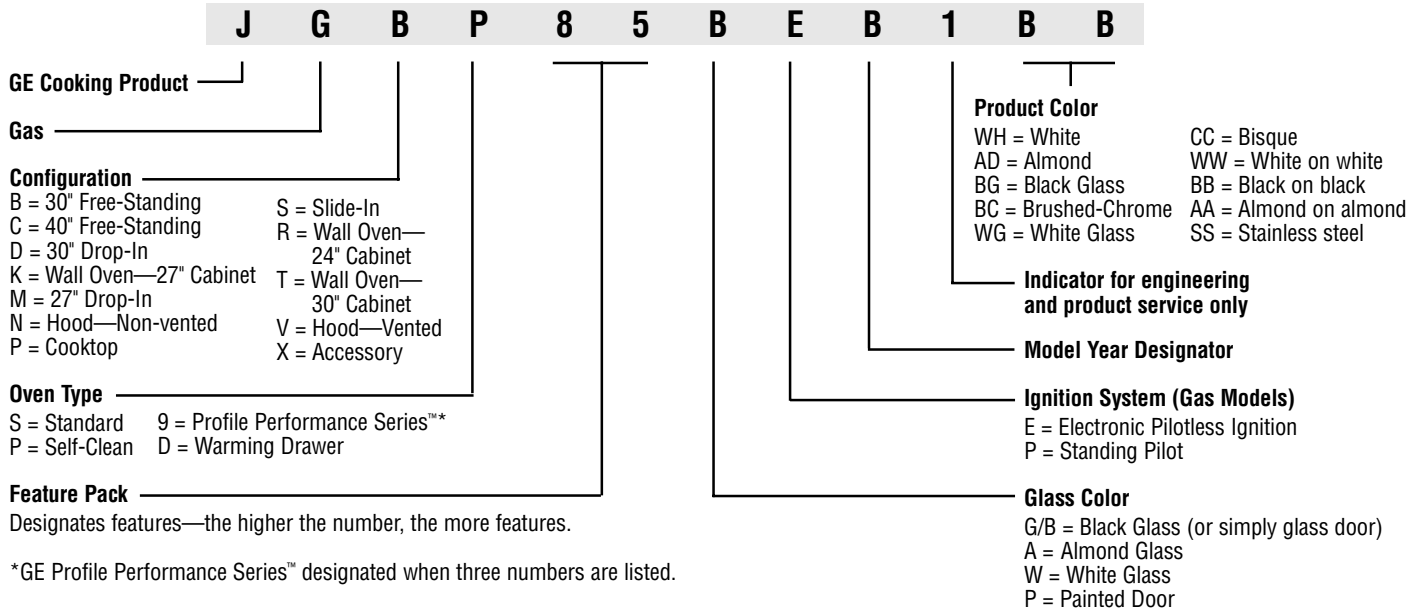
Reading Freezer Nomenclature



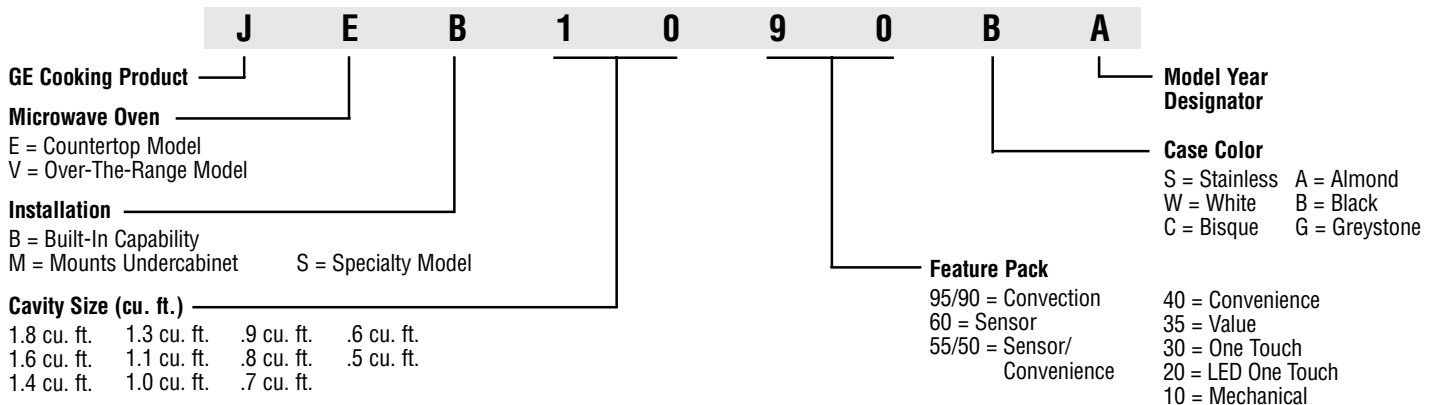
Reading Advantium™ Oven Nomenclature



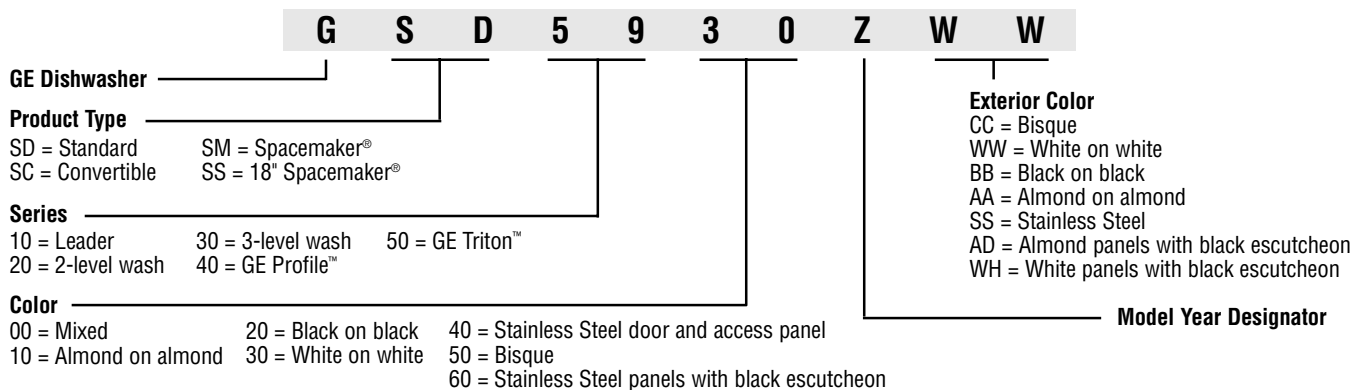
Reading Cooking Nomenclature



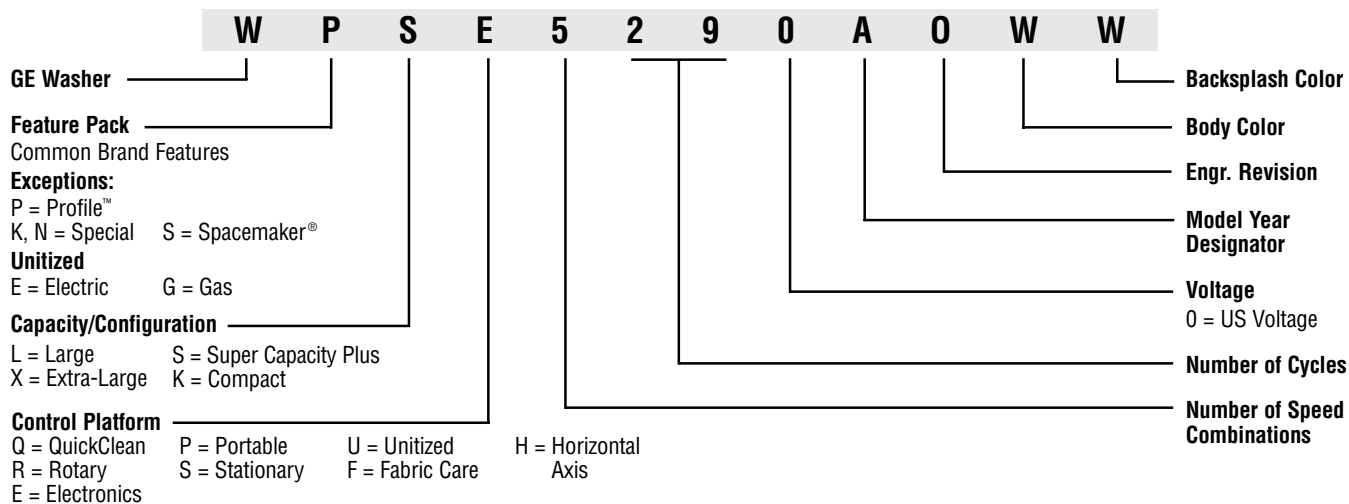
Reading Microwave Nomenclature



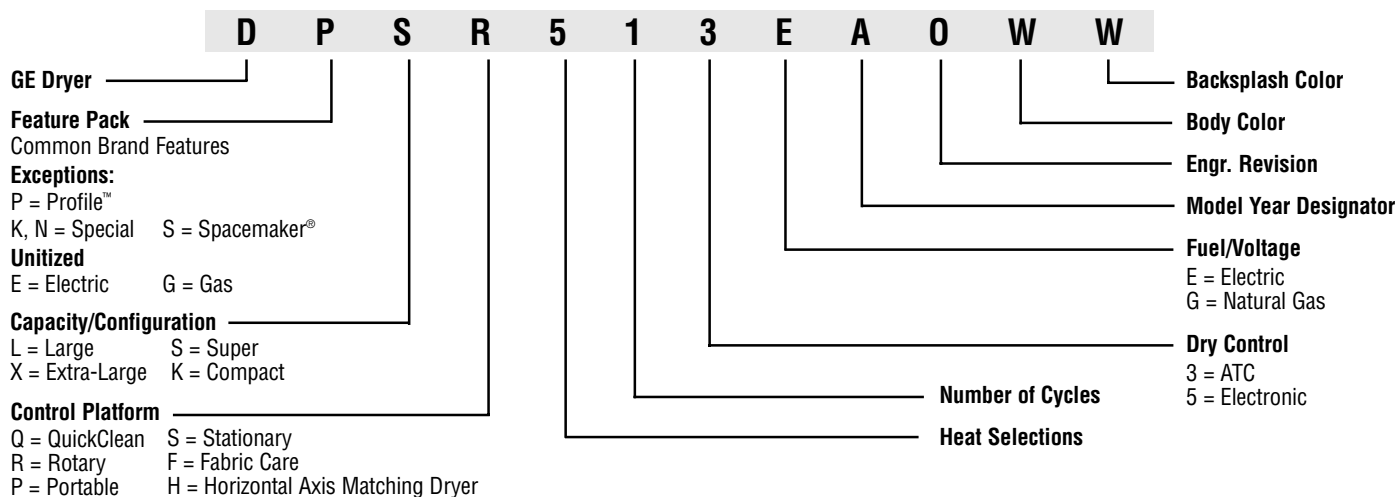
Reading Dishwasher Nomenclature



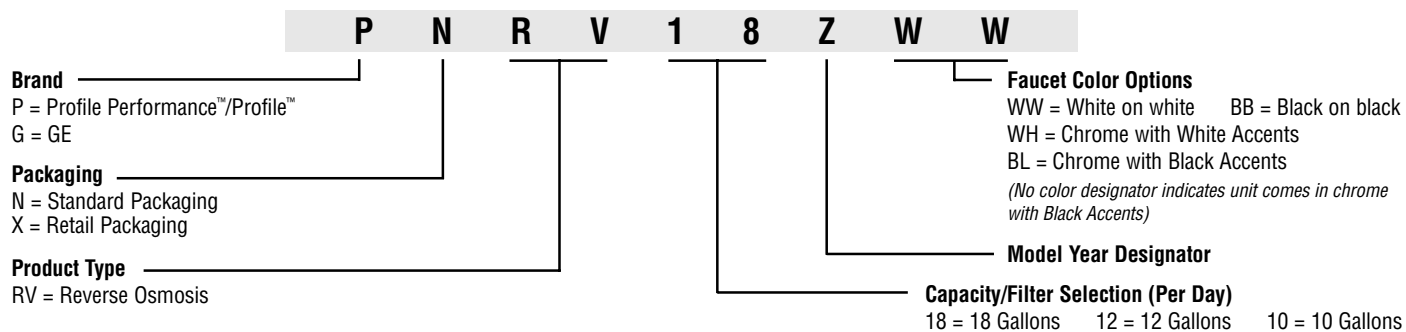
Reading Washer Nomenclature



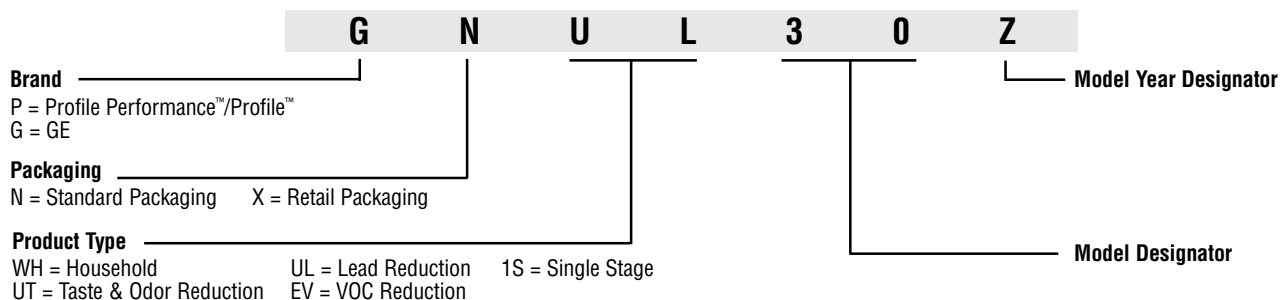
Reading Dryer Nomenclature



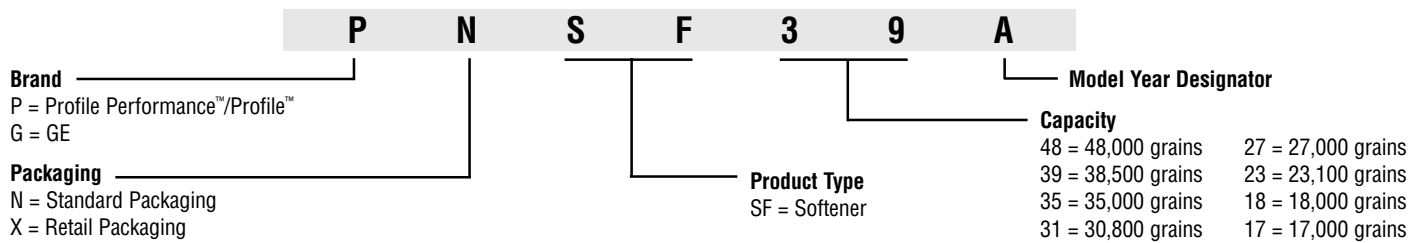
Reading Reverse Osmosis System Nomenclature



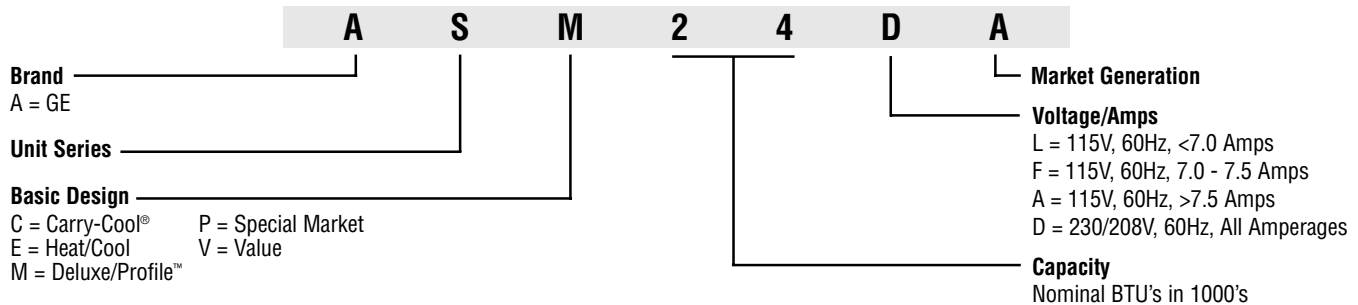
Reading Water Filtration System Nomenclature



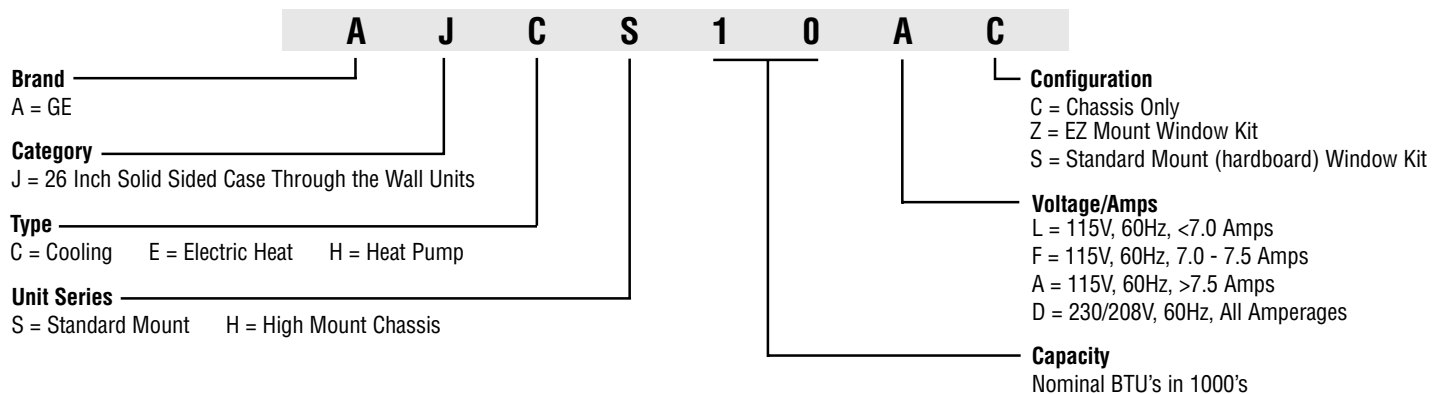
Reading Water Softening System Nomenclature



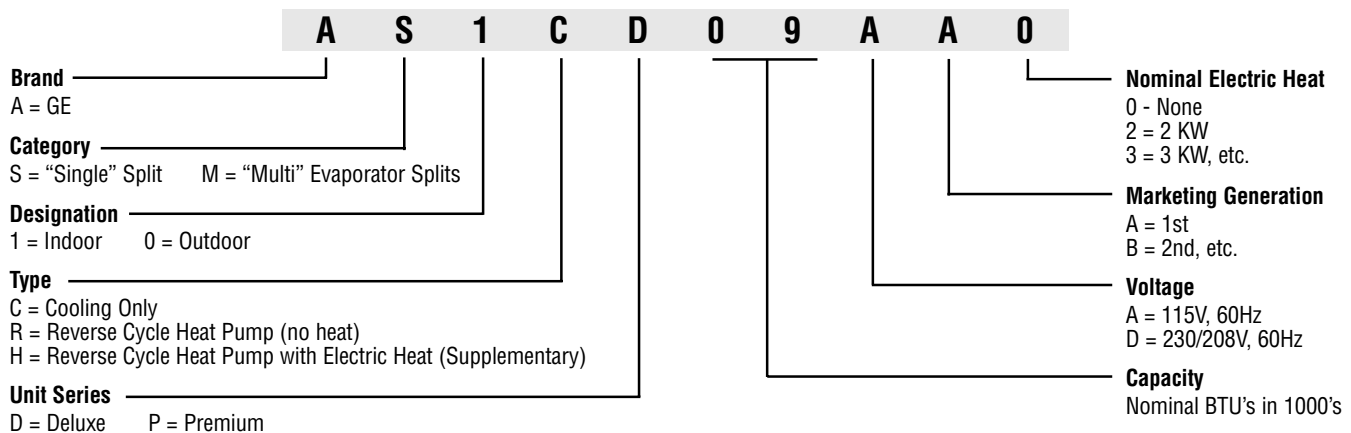
Reading Window Air Conditioners Nomenclature



Reading Built-In Air Conditioners Nomenclature



Reading Split Systems Air Conditioners Nomenclature



You've seen the catalog. Come visit us...we're surfer-friendly.

www.geappliances.com



geappliances.com

is an interactive web site created with the same spirit of innovation that prevailed when the company was founded. Completely comprehensive, this site provides you with virtually everything you need to know about GE appliances, parts, accessories and service. And, it's also surfer-friendly, so your searches won't be endless—they'll be effortless!

Virtually all you need to know about GE appliances. The GE web site includes:

- **Product Information**

Information on all GE Brands, including Monogram,[™] GE Profile Performance,[™] GE Profile,[™] GE and Hotpoint

- **What's Hot?**

The latest in product innovations

- **Start Shopping**

An online shopping guide offering product selection, where to buy, financing, service—even suggestions for designing the kitchen of your dreams!

- **GE Answer Center[®]**

Easy access to our team of experts, answers to frequently asked questions, online product registration or service scheduling.

This combination of information and interaction is what makes geappliances.com so valuable and unique. If you want to stay on top of all the latest developments at GE, geappliances.com gives you the best vantage point. We're just a click away!

Industry leading support service from America's #1 Preferred Appliance Brand*



**The GE Answer Center®
Information Service
800.626.2000 (geappliances.com).**

Questions? Call any time.

Before or after you buy any GE product, ask us about the features, product comparisons, pricing and where to find it. Call us any time. We never close.



**GE Genuine Parts
800.626.2002.**

**Enhance, upgrade or fix it.
Check out our accessories!**

Accessories can make great GE products even better. Replacement parts for GE and most other brands, too. Fast delivery, convenient, direct.



**GE Appliance Service
800.432.2737 (800.GE.CARES)**

Same day or next day service.

If you ever need product service, we'll come where and when you want—at your convenience. We're the largest manufacturer-owned service organization in the appliance industry. Same or next day service in most cases. Buy with confidence from GE.

We're surfer-friendly!

An interactive web site created with the same spirit of innovation that prevailed when the company was founded. Completely comprehensive, this site provides you with virtually everything you need to know about GE appliances, parts, accessories and service. And, it's also surfer-friendly, so your searches won't be endless—they'll be effortless!

Visit us at www.geappliances.com



GE Appliances

General Electric Company
Louisville, Kentucky 40225
www.GEAppliances.com

Pub. No. 1-G040 PC22553
8/00

*GE is the appliance brand most often mentioned among the brands rated as offering the best products and services in America.

Source: *Louis Harris Poll* – 2000

GE has a policy of continuous improvement of its products and reserves the right to change materials and specifications without notice.

© 2000 General Electric Company