

# GE Monogram<sup>®</sup> Assembly Instructions

**36" and 48" Outdoor Cooking Center  
Grill Carts  
Models ZX36CTACSS/ZX48CTACSS**

Before you Begin – Read these instructions completely and carefully.

Note To Installer: Be sure to leave these instructions with the Consumer.

Note to Consumer: Keep these instructions with your Use and Care Book for future reference.

If you have questions concerning the installation of this product, call the GE Answer Center<sup>®</sup> Consumer Information Service at 800.626.2000, 24 hours a day, 7 days a week.

If you received a damaged Grill Cart, you should contact your dealer.

Assembly of this grill cart requires basic mechanical skills. Proper assembly is the responsibility of the installer.

For Monogram local service in your area,  
1-800-444-1845.

For Monogram service in Canada, 1-888-880-3030.

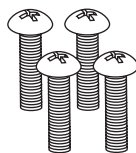
For Monogram Parts and Accessories, call  
1-800-626-2002.

## *Step 1:* *Remove* *Packaging*

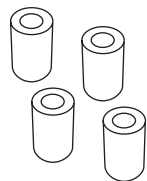
Open the box and remove the contents.

- Remove packaging and protective film from shelves.
- Remove the packaging inside the cart used to protect the slide-out tray during shipping

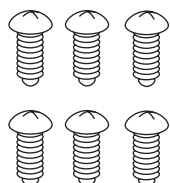
Locate the hardware accessory package and check contents.



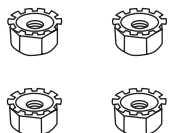
10-24 x 1-1/2 Screws  
Count 4



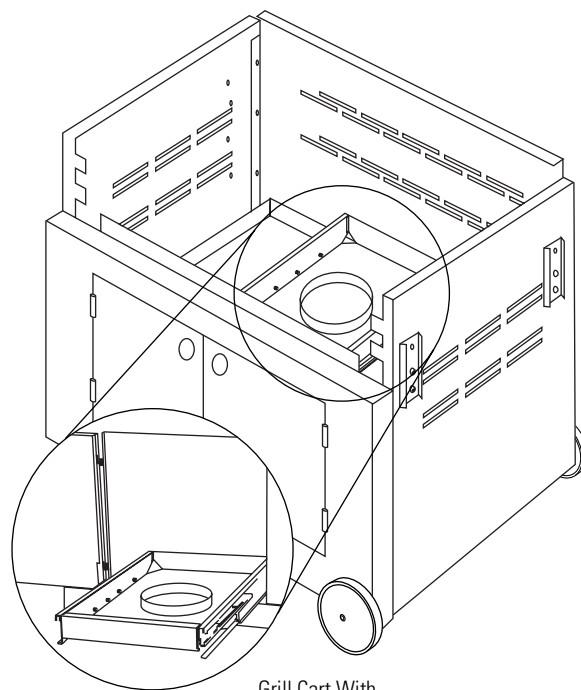
Aluminum Spacers  
Count 4



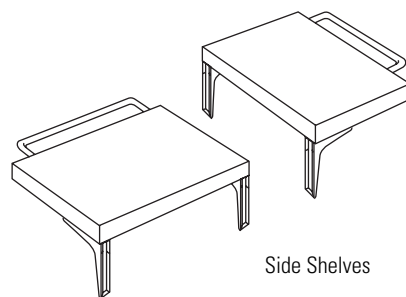
Phillips Head Screws  
Count 6



1/4-20 Nuts  
Count 4



Grill Cart With  
Slide-Out Tank Tray



Side Shelves

# Installation

## 36" and 48" Grill Cart Assembly

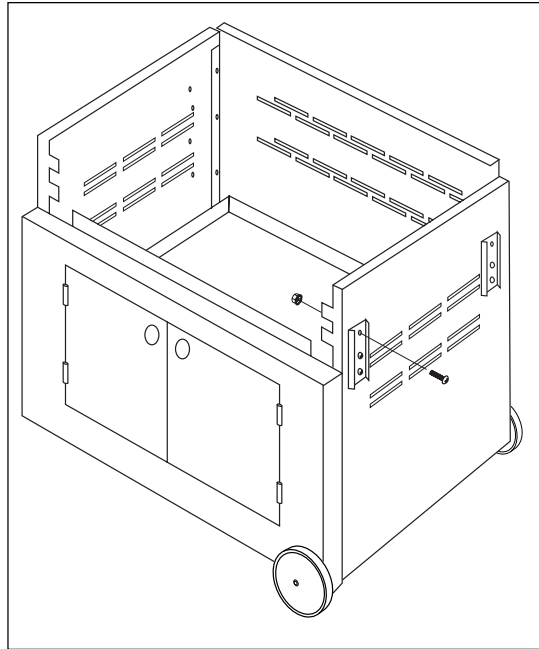
### Tools You Will Need

- 3/8" wrench or socket
- Phillips head screwdriver
- Gloves to protect against sharp edges

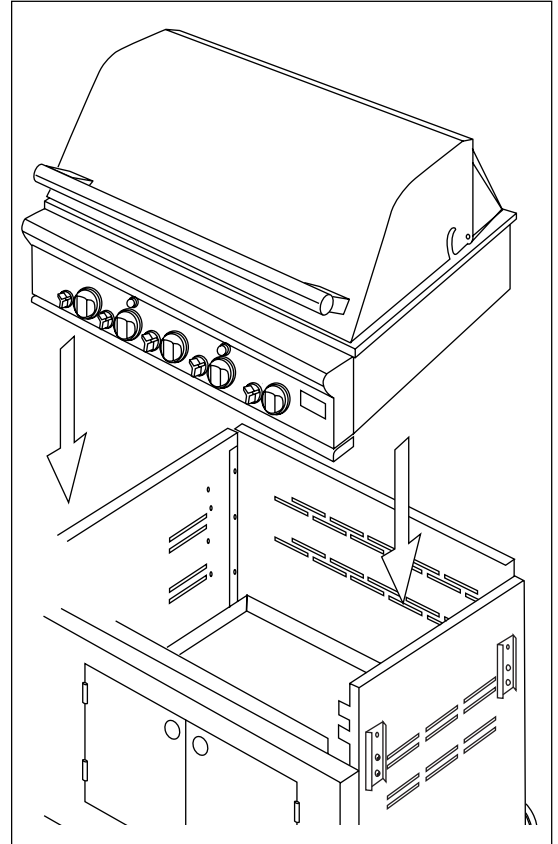
**CAUTION** The grill is extremely heavy. 2 people are required to lift and place the grill onto the cart.

**PRUDENCE** Le grill est extrêmement lourd, Il faut deux personnes pour le soulever et le mettre sur un chariot.

### Step 2: Mount Grill on Assembled Cart



- Remove the top screw in the front shelf slide on the left and right sides. Retain screws.



**CAUTION:** Lock front caster on the cart to prevent movement.

See Installation instructions packed with the grill. Remove packaging, drip tray, smoker tray, burner grates and parts box.

**CAUTION:** The grill is extremely heavy. 2 people are required to lift and place the grill onto the cart.

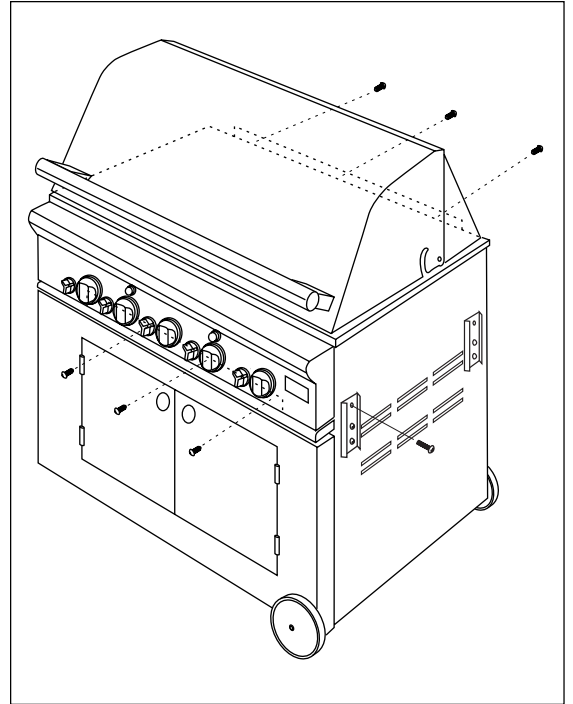
- Carefully, lower the grill onto the cart. The grill should be behind the lip on the front of the cart.
- Check to be sure the grill rests securely and fits square on the cart. The screw holes at the front and back should be aligned.

## Installation

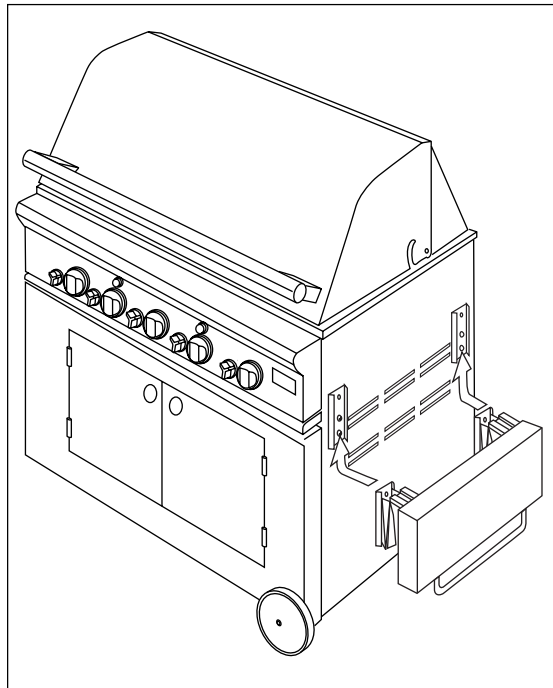
### 36" and 48" Grill Cart Assembly

#### Step 3: Secure Grill to Cart

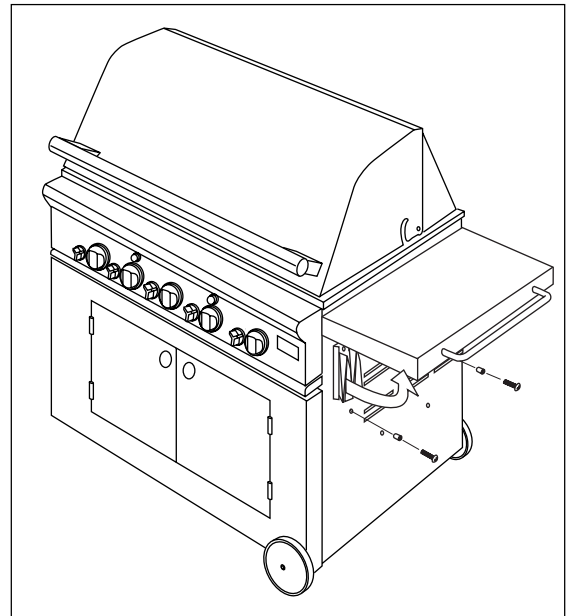
- Install 3 screws along the front and 3 screws along the back with a phillips head screw-driver.
- Re-install long screws previously removed in the top of each front slide.



#### Step 4: Install Side Shelves



- Slide shelf supports up and into the channels on the sides of the cart.

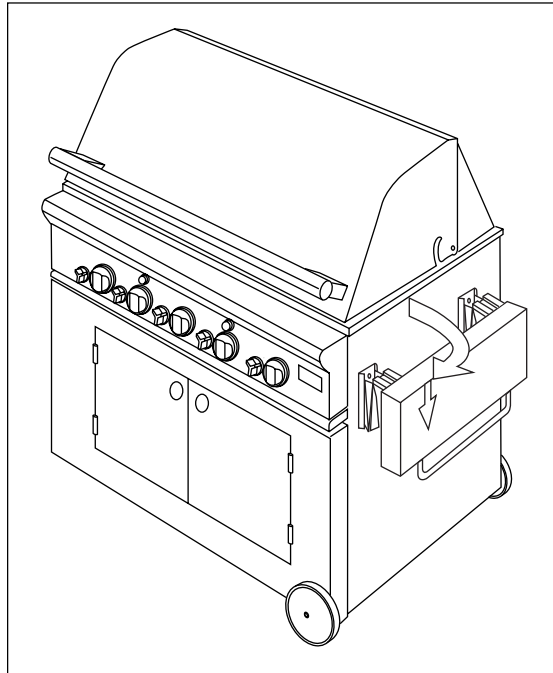


- When the shelf reaches stops at the top, fold the shelf out horizontally.
- The shelf should rest securely in the channels.
- Install the long 10-24 screws and spacers below the shelf supports. Secure with nuts on the inside of the cart. (2 on each side.)
- The spacers and screws will prevent the shelf from sliding out of the channels when folded down.

## Installation

36" and 48" Grill Cart Assembly

*Step 4:  
Install  
Side Shelves  
(continued)*



**To fold the shelves down:**

- Lift the shelf up until it clears the channels.
- Fold down and let the shelf slide down and stop on the spacers.
- Fold both shelves down.

*To obtain specific information concerning any Monogram product or service, call GE Answer Center® consumer information service at 800.626.2000—any time, day or night.*

*For Monogram local service in your area, call 1-800-444-1845.*

NOTE: Product improvement is a continuing endeavor at General Electric. Therefore, materials, appearance and specifications are subject to change without notice.



General Electric Company  
Louisville, KY 40225

Pub. No. 49-80008  
Dwg. No. 164D3333P226  
© 2000 GE Appliances  
(N.D. 536) 2/00

32562