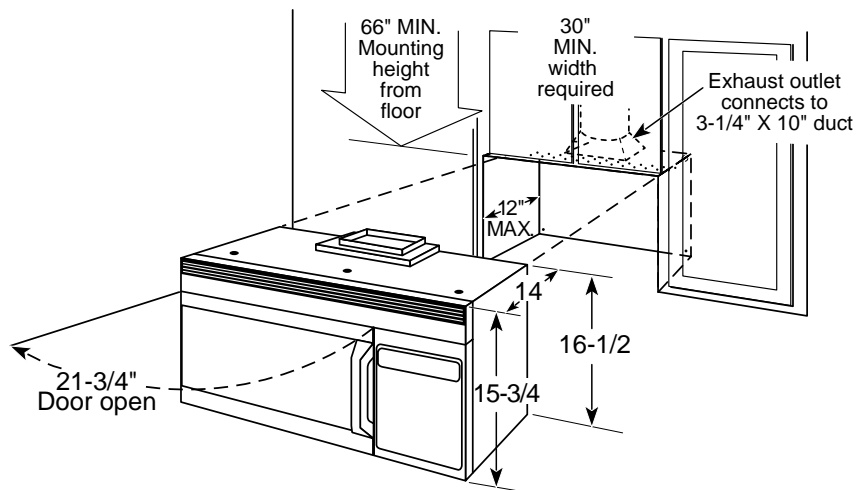


# HOTPOINT®

## RVM1435BD/WD – Hotpoint Counter Saver Plus™ Microwave Oven

### Dimensions (in inches)



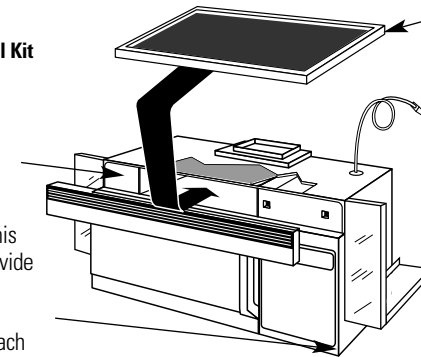
**Important Information:** When installing the Counter Saver Plus microwave oven over a range, allow minimum of 2" from bottom of Counter Saver Plus microwave oven to top of range backguard to allow for removal of light covers.

**Installation Information:** This information is not intended to be used for installing unit described. Before installing, consult installation instructions packed with product/kit for current dimensional data.

### Optional Accessories (Available at additional cost)

JX41/JX46BL–Black Filler Panel Kit  
JX40WH/JX46WH–White Filler Panel Kit

When replacing a 36" range hood, this kit fills in the additional width to provide a custom, built-in appearance. For installation between cabinets only; not for end-of-cabinet installation. Each kit contains two, 3"-wide filler panels.



**JX81A–Recirculating Charcoal Filter Kit**  
To be used when the Counter Saver Plus™ microwave oven cannot be vented to the outside.

**Ventilation Options:** The Counter Saver Plus™ microwave oven is designed for adaptation for the following three types of ventilation:

**Outside Exhaust** (Vertical)

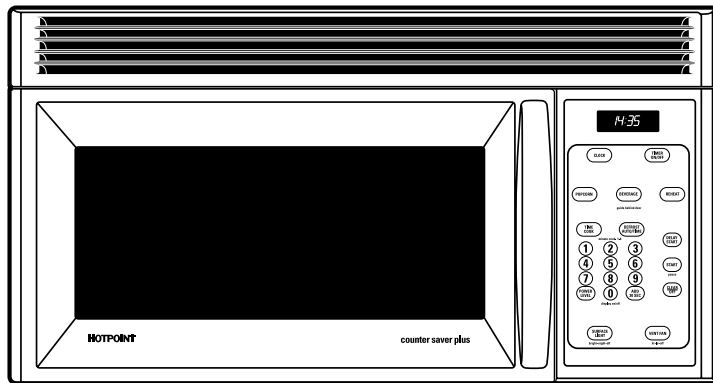
**Outside Exhaust** (Horizontal)

**Recirculating** (Non-vented ductless—see Filter Kit Drawing)



# HOTPOINT®

## RVM1435BD/WD – Hotpoint Counter Saver Plus™ Microwave Oven



### Features and Benefits

- 1.4 cu. ft. Oven Cavity/950 Watts\*
- Interactive Display System
- Electronic Scrolling Digital Display with Clock and AM/PM Pad
- Variable Scroll Speed
- Popcorn and Reheat Pads
- Time Cook I & II
- Auto Defrost/Time Defrost
- Express Cook with Instant On Controls
- Cooking Complete Reminder
- Delay Start/Reminder
- Concurrent Programming
- Display On/Off
- Timer On/Off
- Child Lock-Out
- 10 Power Levels
- Turntable
- Full-View Cooktop Lighting
- Two-Speed, High-Capacity Exhaust Fan
- Model RVM1435WD – White
- Model RVM1435BD – Black

\*IEC-705 Test Procedure