



ROOM AIR CONDITIONER

SAFETY INFORMATION3

USING THE AIR CONDITIONER

Controls4

Remote Control5

Cool Mode5

Energy Saver Mode5

Air Direction6

CARE AND CLEANING

Grille and Case6

Air Filter6

Outdoor Coils6

Install Batteries in Remote6

INSTALLATION INSTRUCTIONS

Before you begin7

Electrical Requirements7

Parts Included8

Window Requirements9

Prepare the Air Conditioner9

Prepare the Window10

Install the Outer Case11

Install the Air Conditioner12

TROUBLESHOOTING TIPS13

Normal Operating Sounds14

WIFI SETUP14

CONSUMER SUPPORT

Limited Warranty17

Consumer Support18

OWNER'S MANUAL

- AHTK18AAH1
- AHEK18ACH1
- AHEK24ACH1

Write the model and serial numbers here:

Model # _____

Serial # _____

You can find the rating label on the left side of the air conditioner.

THANK YOU FOR MAKING GE APPLIANCES A PART OF YOUR HOME.

Whether you grew up with GE Appliances, or this is your first, we're happy to have you in the family.

We take pride in the craftsmanship, innovation and design that goes into every GE Appliances product, and we think you will too. Among other things, registration of your appliance ensures that we can deliver important product information and warranty details when you need them.

Register your GE appliance now online. Helpful websites and phone numbers are available in the Consumer Support section of this Owner's Manual. You may also mail in the pre-printed registration card included in the packing material.



GE APPLIANCES

IMPORTANT SAFETY INFORMATION

READ ALL INSTRUCTIONS BEFORE USING THE APPLIANCE

▲ WARNING

For your safety, the information in this manual must be followed to minimize the risk of fire, electric shock or personal injury.

- Use this appliance only for its intended purpose as described in this Owner's Manual.
- This air conditioner must be properly installed in accordance with the Installation Instructions before it is used.
- Never unplug your air conditioner by pulling on the power cord. Always grip plug firmly and pull straight out from the receptacle.
- Replace immediately all electric service cords that have become frayed or otherwise damaged. A damaged power supply cord must be replaced with a new power supply cord obtained from the manufacturer and not repaired. Do not use a cord that shows cracks or abrasion damage along its length or at either the plug or connector end.
- Turn the unit OFF and unplug your air conditioner before cleaning.
- For your safety...do not store or use combustible materials, gasoline or other flammable vapors or liquids in the vicinity of this or any other appliance.
- All air conditioners contain refrigerants, which under federal law must be removed prior to product disposal. If you are getting rid of an old product with refrigerants, check with the company handling disposal about what to do.
- If the receptacle does not match the plug, the receptacle must be changed out by a qualified electrician.
- These R410A air conditioning systems require contractors and technicians to use tools, equipment and safety standards approved for use with this refrigerant. DO NOT use equipment certified for R22 refrigerant only.
- To avoid risk of injury or property damage, the air conditioner should **ONLY** be serviced by a qualified servicer.

▲ WARNING

USE OF EXTENSION CORDS

RISK OF FIRE. Could cause serious injury or death.

- DO NOT use an extension cord with this Window Air Conditioner.
- DO NOT use surge protectors or multi-outlet adaptors with this Window Air Conditioner.

HOW TO CONNECT ELECTRICITY

Do not, under any circumstances, cut or remove the third (ground) prong from the power cord. For personal safety, this appliance must be properly grounded.

DO NOT use an adapter plug with this appliance.

The power cord of this appliance is equipped with a 3-prong (grounding) plug which mates with a standard 3-prong (grounding) wall outlet to minimize the possibility of electric shock hazard from this appliance.

Power cord includes a current interrupter device. A test and reset button is provided on the plug case. The device should be tested on a periodic basis by first pressing the **TEST** button and then the **RESET** button while plugged into the outlet. If the **TEST** button does not trip or if the **RESET** button will not stay engaged, discontinue use of the air conditioner and contact a qualified service technician.

Have the wall outlet and circuit checked by a qualified electrician to make sure the outlet is properly grounded.

Where a 2-prong wall outlet is encountered, it is your personal responsibility and obligation to have it replaced with a properly grounded 3-prong wall outlet.

The air conditioner should always be plugged into its own individual electrical outlet which has a voltage rating that matches the rating plate.

This provides the best performance and also prevents overloading house wiring circuits which could cause a fire hazard from overheated wires.

See the Installation Instructions, **Electrical Requirements** section for specific electrical connection requirements.

▲ WARNING

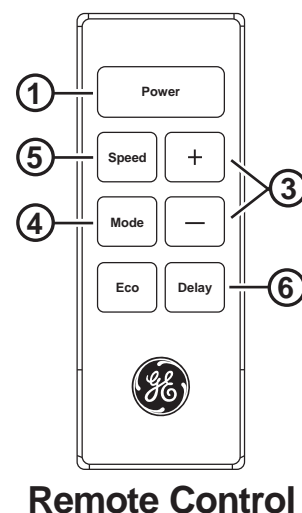
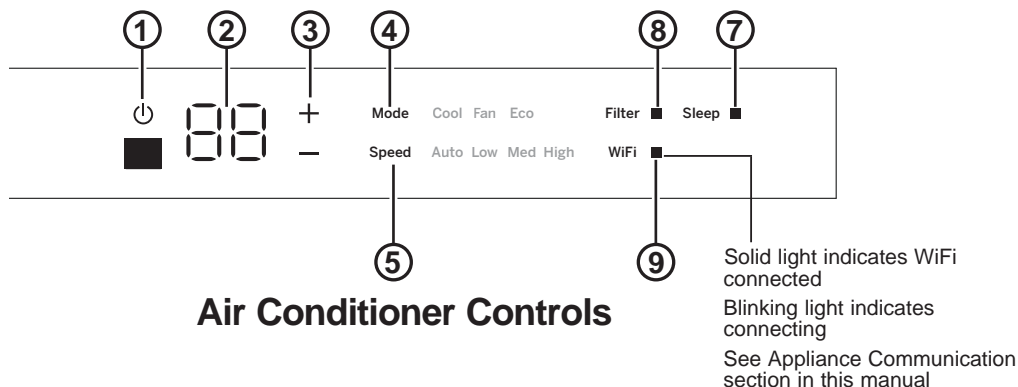
Chemical Burn Hazard. Keep batteries away from children.

- This product contains a lithium button/coin cell battery. If a new or used lithium button/coin cell battery is swallowed or enters the body, it can cause severe internal burns and can lead to death in as little as 2 hours. Always completely secure the battery compartment. If the battery compartment does not close securely, stop using the product, remove the batteries, and keep it away from children.
- If you think batteries might have been swallowed or placed inside any part of the body, seek immediate medical attention.
- The cells shall be disposed of properly, including keeping them away from children.
- Even used cells may cause injury.

Controls

Features and appearance will vary.

Lights beside the touch pads on the air conditioner control panel indicate the selected settings.



1. Power Pad

Turns air conditioner on and off. When turned on, the display will show the **Set** temperature.

2. Display

Shows the **Set** temperature or time remaining on the Delay timer. Shows the **Set** temperature while setting the temperature in **Cool** or **Eco** modes.

3. Temp and Delay Increase + /Decrease - Pads

Use to set temperature or delay time. Temperature can be set in **Cool** and **Eco** mode.

4. Mode Pad

Use to set the air conditioner to **Fan Only**, **Cool**, or **Eco** mode.

5. Fan Speed Pad

In **Cool** or **Eco** mode: Use to set the fan speed to **Auto**, **High**, **Med** or **Low** on the unit.

In **Fan Only** mode: Use to set the fan speed to **High**, **Med**, or **Low** on the unit.

6. Delay Pad (set by remote control only)

Delay ON—When the air conditioner is off, it can be set to automatically come on in 1 to 24 hours at its previous mode and fan settings.

Delay OFF—When the air conditioner is on, it can be set to automatically turn off in 1 to 24 hours.

How to set:

Press the **Delay** pad on the remote control. Each touch of the **Increase + / Decrease -** pads on the remote control will set the timer in 1-hour intervals.

To review the remaining time on the **Delay** timer, press the **Delay** pad on the remote control. Use the **Increase + / Decrease -** pads on the remote control to set a new time if desired.

To cancel the timer, press **Decrease** ▽ pad on the remote control until the set time is zero.

7. Sleep Pad (set by air conditioner controls only)

The **SLEEP** mode sets the unit to gradually change settings over an 8 hour period to allow for some increased energy efficiency during sleep hours.

The **SLEEP** mode is available only in **COOL** and **FAN** only settings.

Press the **SLEEP** mode pad and its light will illuminate. The fan indicator will stay at the same setting but the air conditioner will automatically change the **FAN** speed to low in either **COOL** or **FAN** only mode.

In **FAN** only mode, the fan will stay in the **LOW** speed setting for 8 hours. After 8 hours, the air conditioner will resume the settings that were in place before the **SLEEP** mode pad was pressed.

In **COOL** mode, the fan will stay in the **LOW** speed setting for 8 hours from the time the **SLEEP** mode pad was pressed. The air conditioner will also raise the set point 2°F in 30 minutes and 2°F more in another 30 minutes where it will remain for the next 7 hours. After 8 hours, the air conditioner will resume the settings that were in place before the **SLEEP** mode pad was pressed.

While the unit is in **SLEEP** mode, pressing any pad will return it to the settings that were in place before the **SLEEP** mode pad was pressed.

8. Filter Reset Pad

This feature automatically notifies you that the air filter must be cleaned. The indicator light will come on after 250 hours of operation. Clean the air filter (refer to page 7), place it back in the front panel, and press the **Filter Reset** pad. The light will go off.

9. WiFi Connect Pad

Enables connection of the air conditioner to the home WiFi. Download App for details at:

www.GEAppliances.com/connect.

Using the Air Conditioner

Do Not Operate in Freezing Outdoor Conditions

This cool-only air conditioner was not designed for freezing outdoor conditions.

It must not be used when the outdoor temperature is below freezing (32°F).

Control Panel Lights On/Off Feature

This air conditioner has a control panel lights on/off feature where its lights will turn off when there is no activity with the controls for over one minute. To wake up the controls, press any pad on the controls and the lights will come on to show the previous settings.

To turn this feature off, press and hold the **SLEEP** pad, on the unit, for 5 seconds. The unit will beep to signal the successful toggle of the feature on and off.

Remote Control

- To ensure proper operation, aim the remote control at the signal receiver on the air conditioner.
 - The remote control signal has a range of up to 20 feet.
 - Make sure nothing is between the air conditioner and the remote control that could block the signal.
 - Make sure batteries are fresh and installed correctly as indicated on the remote control.
-

Cool Mode

Use the Cool mode at **Low, Med, High** or **Speed** for cooling. Use the **Temperature Increase + / Decrease -** pads to set the desired temperature between 64°F and 86°F in 1°F increments.

An electronic thermostat is used to maintain the room temperature. The compressor will cycle on and off to keep the room at the set level of comfort. Set the thermostat at a lower number and the indoor air will become cooler. Set the thermostat at a higher number and the indoor air will become warmer.

NOTE: If the air conditioner is off and is then turned on while set to a **Cool** setting or if turned from a fan setting to a **Cool** setting, it may take approximately 3 minutes for the compressor to start and cooling to begin.

Cooling Descriptions

For Normal Cooling—Select the **Cool** mode and **High** or **Med** fan with a middle set temperature.

For Maximum Cooling—Select the **Cool** mode and **High** fan with a lower set temperature.

For Quieter and Nighttime Cooling—Select the **Cool** mode and **Low** fan with a middle set temperature.

Eco Mode

Controls the fan.

ON—The fan will cycle on and off with the compressor. This may result in wider variations of room temperature and humidity. **NOTE:** the fan may continue to run for a short time or may pulse intermittently after the compressor cycles off to sample the room air.

OFF—The fan runs all the time, while the compressor cycles on and off.

Fan Only Mode

Use the Fan Only Mode at Low, Med or High fan speed to provide air circulation and filtering without cooling. Since fan-only settings do not provide cooling, a Set temperature cannot be entered. The room temperature will appear in the display.

Auto Fan Mode

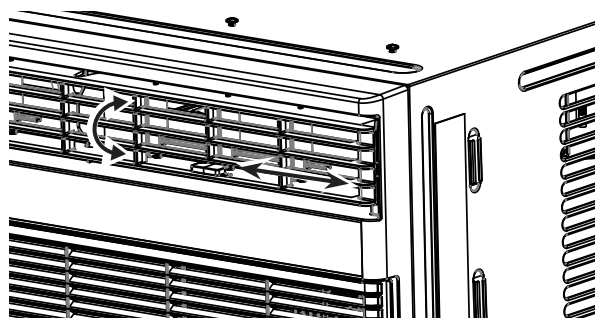
Set to **Auto** for the fan speed to automatically set to the speed needed to provide optimum comfort settings with the set temperature.

If the room needs more cooling, the fan speed will automatically increase. If the room needs less cooling, the fan speed will automatically decrease.

Using the Air Conditioner

Air Direction

Use the levers to adjust the air direction left or right.
Tilt the louver bank to adjust up and down.



Care and Cleaning

Grille and Case

Turn the air conditioner off and remove the plug from the wall outlet before cleaning.

To clean, use water and a mild detergent. Do not use bleach or abrasives.

Air Filter

The air filter behind the front grille should be checked and cleaned at least every 30 days or more often if necessary.

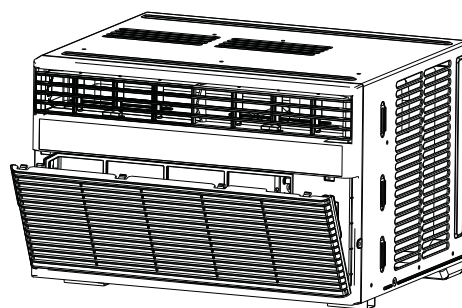
To remove:

Open the inlet grille by pulling downward on the tabs at the top upper corners of the inlet grille until the grille is in a 45° position. Remove the filter.

Clean the filter with warm, soapy water. Rinse and let the filter dry before replacing it. Do not clean the filter in a dishwasher.

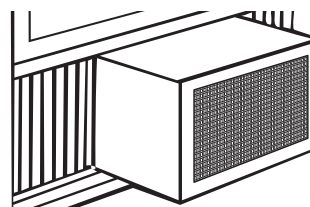
CAUTION

DO NOT operate the air conditioner without a filter because dirt and lint will clog it and reduce performance.



Outdoor Coils

The coils on the outdoor side of the air conditioner should be checked regularly. If they are clogged with dirt or soot, they may be professionally cleaned.



How to Insert the Batteries in the Remote Control

1. Remove the battery cover by sliding it according to the arrow direction.
2. Insert new batteries, making sure that the (+) and (-) of battery are installed correctly.
3. Reattach the cover by sliding it back into position.

NOTES:

- Use 2 "AAA" (1.5 volt) batteries. Do not use rechargeable batteries.
- Remove the batteries from the remote control if the system is not going to be used for a long time.
- Do not mix old and new batteries. Do not mix standard (carbon-zinc) or rechargeable (ni-cad, ni-mh, etc) batteries.

Installation Instructions

FOR MORE HELP, VISIT GEAPPLIANCES.COM/SERVICE

BEFORE YOU BEGIN

Read these instructions completely and carefully.

- **IMPORTANT** — Save these instructions for local inspector's use.
- **IMPORTANT** — Observe all governing codes and ordinances.
- **Note to Installer** — Be sure to leave these instructions with the Consumer.
- **Note to Consumer** — Keep these instructions for future reference.
- **Skill level** — Installation of this appliance requires basic mechanical skills.
- **Completion time** — Approximately 1 hour
- We recommend that two people install this product.
- Proper installation is the responsibility of the installer.
- Product failure due to improper installation is not covered under the Warranty.
- You **MUST** use all supplied parts and use proper installation procedures as described in these instructions when installing this air conditioner.

ELECTRICAL REQUIREMENTS

The 3-prong grounding plug minimizes the possibility of electric shock hazard. If the wall outlet you plan to use is only a 2-prong outlet, it is your responsibility to have it replaced with a properly grounded 3-prong wall outlet.



These models require 230/208-volt AC, protected with a time-delay fuse or circuit breaker. These models should be installed on their own single branch circuit for best performance and to prevent overloading house or apartment wiring circuits, which could cause a possible fire hazard from overheating wires.

ELECTRICAL REQUIREMENTS (CONT)

CAUTION

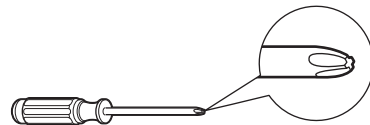
Do not, under any circumstances, cut or remove the third (ground) prong from the power cord.

Do not change the plug on the power cord of this air conditioner.

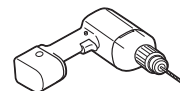
Aluminum house wiring may present special problems—consult a qualified electrician.

Power cord includes a current interrupter device. A test and reset button is provided on the plug case. The device should be tested on a periodic basis by first pressing the **TEST** button and then the **RESET** button while plugged into the outlet. If the **TEST** button does not trip or if the **RESET** button will not stay engaged, discontinue use of the air conditioner and contact a qualified service technician.

TOOLS YOU WILL NEED



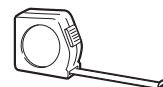
Phillips head screwdriver



Drill and 1/8" drill bit



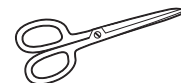
Pencil



Ruler or tape measure



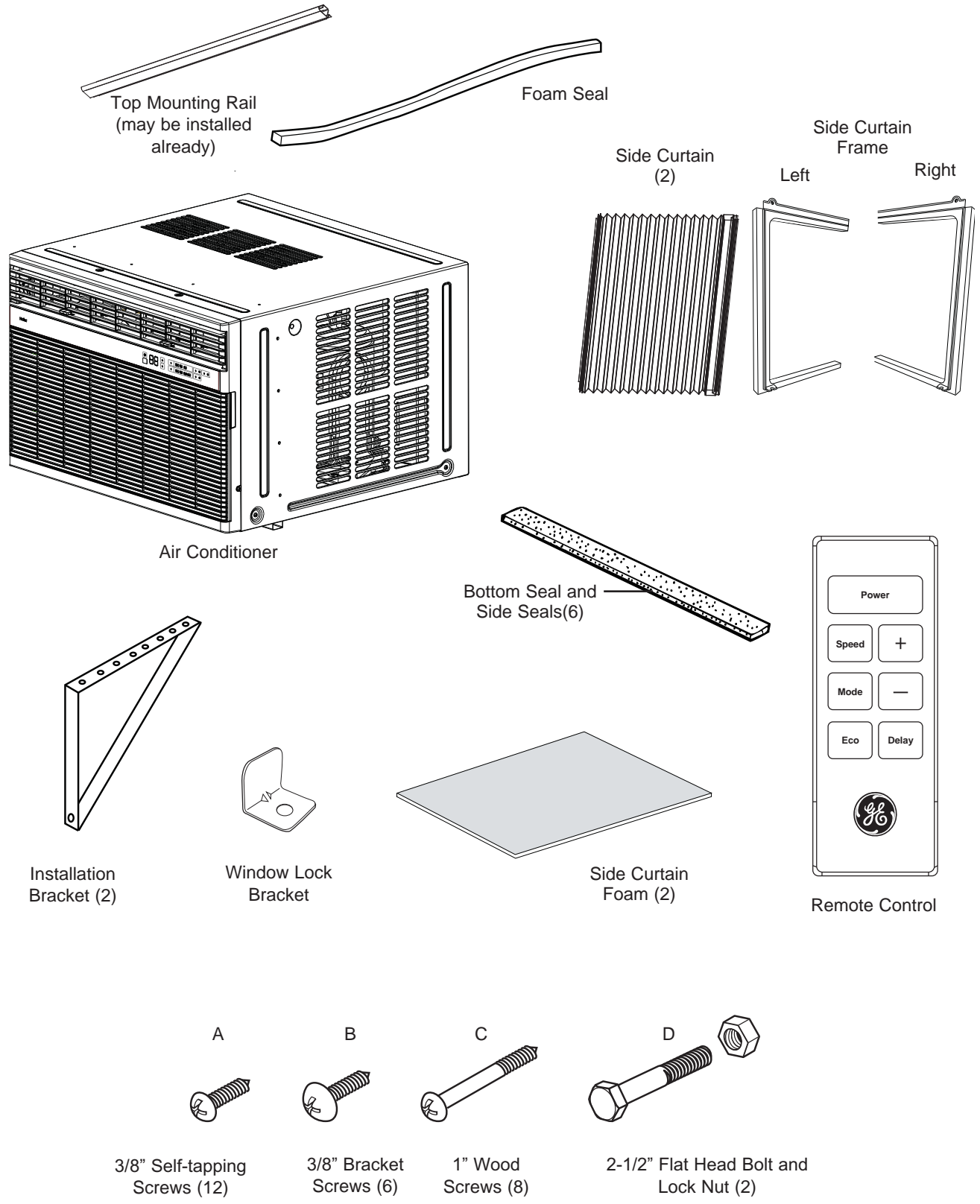
Level



Scissors or knife

Installation Instructions

PARTS INCLUDED (Appearance may vary)

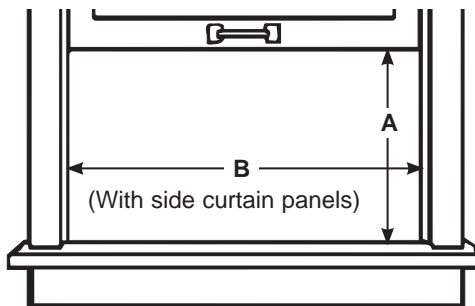


Installation Instructions

1. WINDOW REQUIREMENTS

- These instructions are for a standard double-hung window. You will need to modify them for other types of windows.
- The air conditioner can be installed without the side curtain panels if needed to fit in a narrow window. See the window opening dimensions.
- All supporting parts must be secured to firm wood, masonry or metal.
- The electrical outlet must be within reach of the power cord.
- Follow the dimensions in the table and illustration for your model.

Models	A	B
AHTK18AA		
AHEK18AC	19 1/8" min	30"-39"
AHEK24AC		



2. STORM WINDOW REQUIREMENTS

A storm window frame will not allow the air conditioner to tilt toward the outside, and will keep it from draining properly. To adjust for this, attach a piece of wood to the sill.

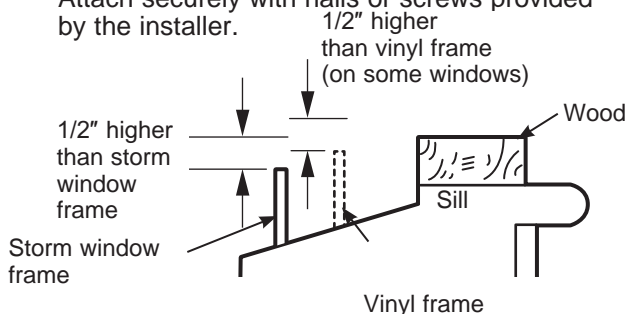
WOOD PIECES

WIDTH: 2"

LENGTH: Long enough to fit inside the window frame.

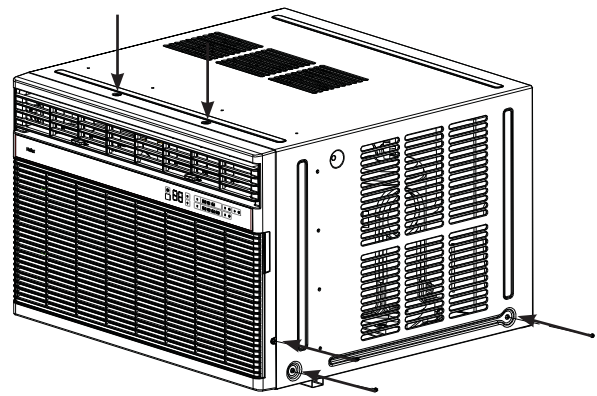
THICKNESS: To determine the thickness, place a piece of wood on the sill to make it 1/2" higher than the top of the storm window frame or the vinyl frame.

Attach securely with nails or screws provided by the installer.



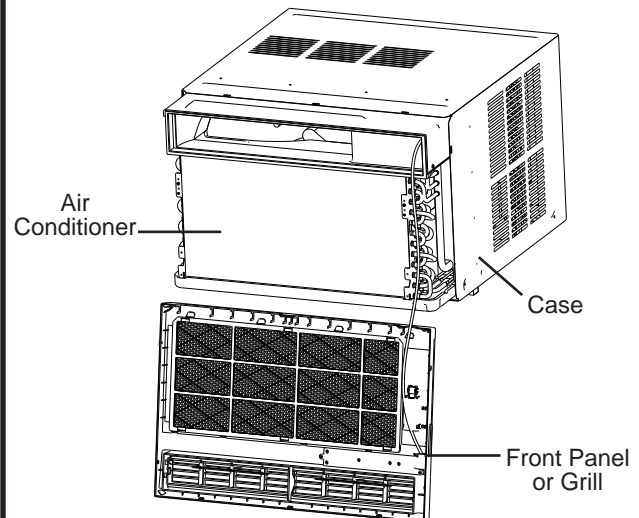
3. PREPARE THE AIR CONDITIONER

- A.** Remove three screws on each side of the case, and two screws from the top. Save the screws for use later..



Save these screws for later use.

- B.** Insert a flat head screw driver between the front grille and the metal case along the sides. Gently



pry the grille from the case.

NOTE: Cover the flat head screw driver with tape to prevent scratching the case.

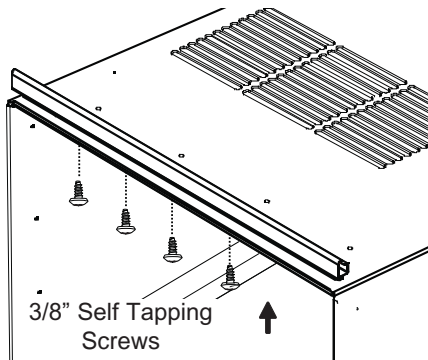
- C.** The front panel of the air conditioner is corded to the air conditioner. They cannot be separated.
- D.** While one person holds the front panel, have a second person pull the air conditioner out of the case using the handle on the bottom front of the air conditioner.
- E.** The air conditioner is very heavy so make sure that it will be resting on a sturdy surface.

Installation Instructions

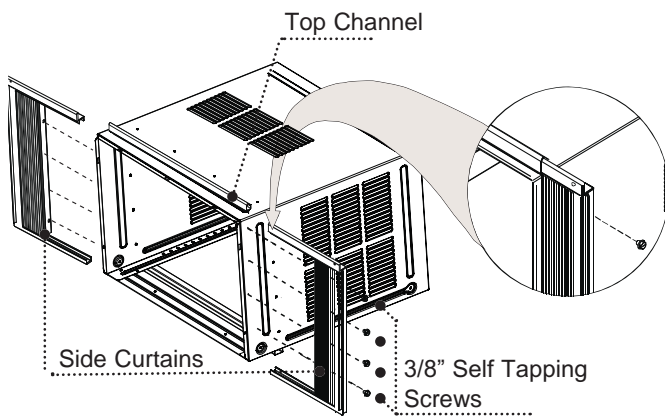
4. PREPARE THE CASE

NOTE: Attach curtains to the air conditioner before placing the air conditioner in the window.

- A. Install top mounting rail (if not already installed) with four type A screws.

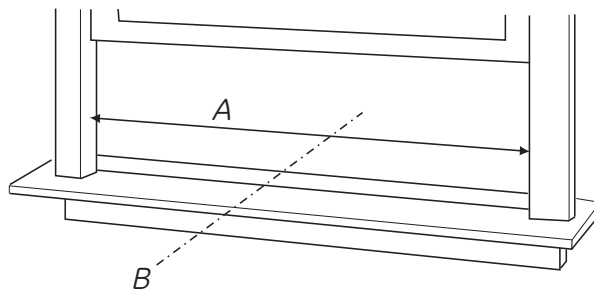


- B. Slide left-hand curtain assembly into left end of top and bottom mounting rail. Repeat for right hand curtain assembly.
- C. Fasten curtain retainer strips to the sides of the outer case with four type A screws on each side. Use 4 type B screws to secure the side panels in place.



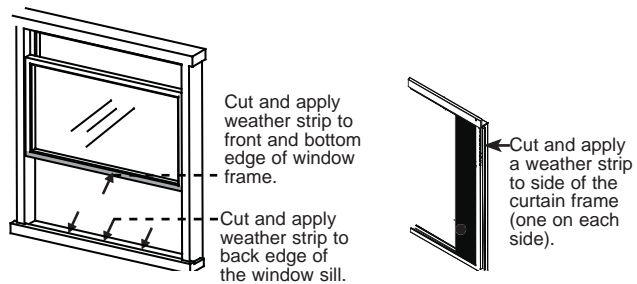
5. PREPARE WINDOW FOR INSTALLATION

- A. Measure the width of the window opening.
- B. Mark the center line on the inside windowsill.



A. Width of window opening
B. Center line

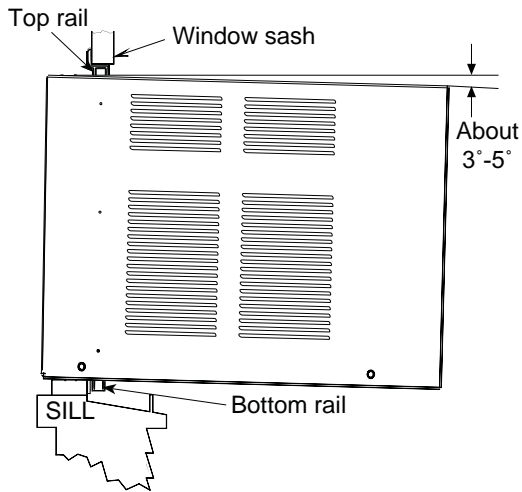
- C. Apply the weather seals provided to the bottom, top and sides of the window to the seal around the perimeter of the air conditioner.



Installation Instructions

6 INSTALL OUTER CASE IN WINDOW

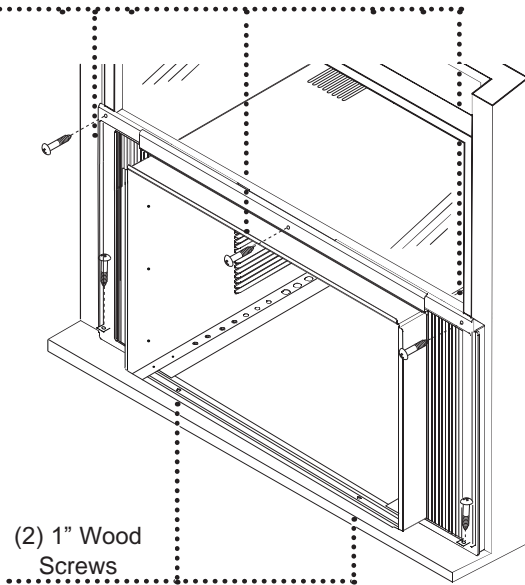
A. Place outer case in window. Lower sash until it rests behind front flange of top mounting rail. Bottom mounting rail must rest behind window sill.



B. Expand the curtain panels to fill the window. Secure with type C wood screw in top and bottom corners. If needed, use drill and 1/8" bit to drill pilot holes for the screws.

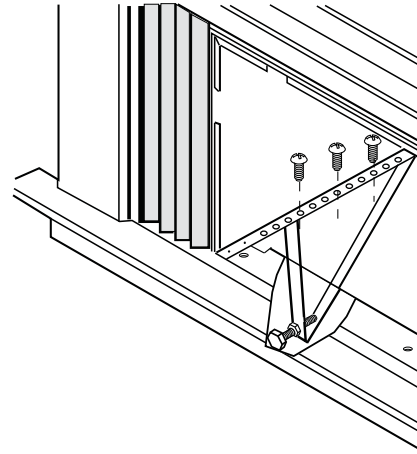
C. Use three type C screws to secure the case to the window sill. Drill pilot holes if necessary.

1" Wood Screws

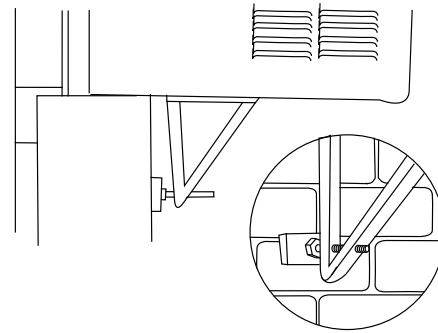


6 INSTALL OUTER CASE IN WINDOW

D. Thread nut onto bolt, then thread the bolt into the triangle bracket as shown in the figure below.



E. Attach triangle bracket onto bottom of case using three type B screws for each bracket. Make sure that the bracket is close enough to the outside wall that the bolt can touch. Adjust bolt so that it is snug against the outside wall.

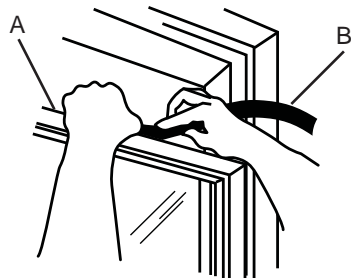


NOTE: A block of wood can be placed between the bolt and the outside wall if the bolt rests between studs.

Installation Instructions

7. COMPLETE INSTALLATION

- A. Insert the foam seal behind the top of the lower window sash and against the glass of the upper window.



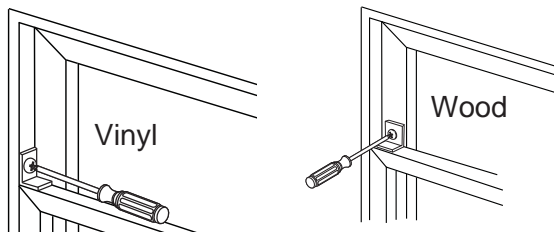
A. Top of lower window sash
B. Foam seal

- B. Place the window lock bracket as shown. Use a 1/8" drill bit to drill a starter hole through the hole in the window lock bracket and into the upper window.

CAUTION

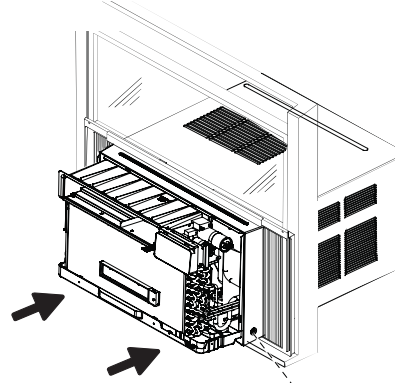
To prevent broken glass or damage to windows, on vinyl or other similarly constructed windows, attach the window locking bracket to the window side jamb with one Type B screw.

- C. Attach the window lock bracket to the upper window with a type C screw to secure the window in place.

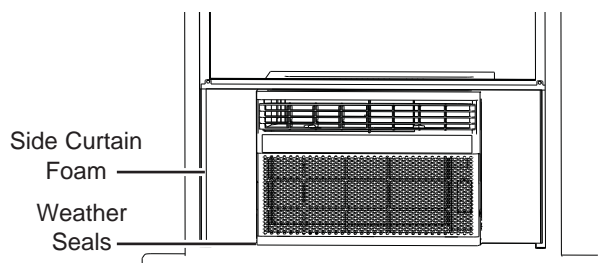


8. RETURN CHASSIS TO THE OUTER CASE

- A. Once the case is securely attached to the window, reinstall the air conditioner. Have two people lift the air conditioner and slide it into the case. Make sure that the corded front panel is positioned so that it does not interfere with sliding the air conditioner into the case.



- B. Snap the front grille back onto the air conditioner. Use the screws removed at the beginning of the installation to secure the grille. Re-use screws from Step 3 on page 9.
- C. Measure and cut adhesive foam backed sheet. Apply over side curtain and frame.



- D. Plug into a grounded 3-prong outlet.

WARNING



Electrical Shock Hazard

- Plug into a grounded 3 prong outlet.
- Do not remove ground prong.
- Do not use an adapter.
- Do not use an extension cord.
- Failure to follow these instructions can result in death, fire, or electrical shock.

- E. Press RESET on the power supply cord. See Electrical Requirements.

Troubleshooting Tips... Before you call for service

Save time and money! Review the charts on the following pages first and you may not need to call for service.

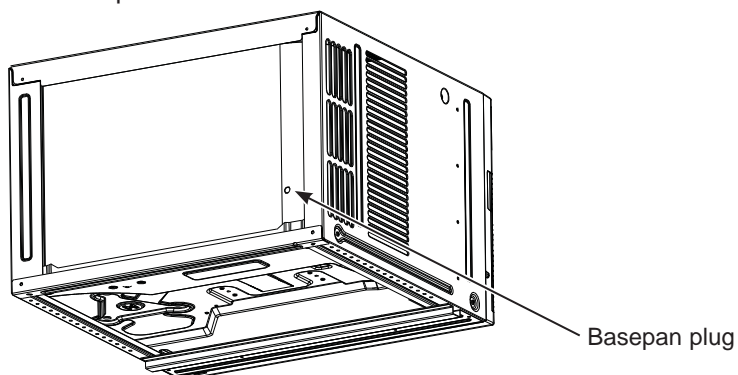
Problem	Possible Cause	What To Do
Air conditioner does not start.	The unit is unplugged.	Make sure the air conditioner plug is pushed completely into the outlet.
	The fuse is blown/circuit breaker is tripped.	Check the house fuse/circuit breaker box and replace the fuse or reset the breaker.
	Power Failure.	The unit will automatically restart in the setting last used after the power is restored. There is a protective time delay (approximately 3 minutes) to prevent tripping of the compressor overload. For this reason, the unit may not start normal cooling for 3 minutes after it is turned back on.
	The current interrupter device is tripped.	Press RESET button located on the power cord plug. If the RESET button will not stay engaged, discontinue use of the air conditioner and contact a qualified service technician.
Air conditioner does not cool as it should.	Indoor airflow is restricted.	Make sure there are not curtains, blinds or furniture blocking the front of the air conditioner.
	The temp control may not be set properly.	Turn the temperature control to a higher number.
	The air filter is dirty.	Clean the filter at least every 30 days. See Care and Cleaning section.
	The room may have been hot.	When the air conditioner is first turned on, you need to allow time for the room to cool down.
	Cold air is escaping.	Check for open furnace registers and cold air returns.
	Cooling coils have iced up.	See "Air conditioner freezing up" below.
Air conditioner freezing up	Ice blocks the air flow and stops the air conditioner from cooling the room.	Set the mode control to High Fan or High Cool with the temperature setting as high as it can be set.
Water drips outside	Hot, humid weather.	This is normal.
Water drips inside	The air conditioner is not tilted to the outside.	For proper disposal, make sure the air conditioner slants slightly from the case front to the rear.
Water collects in base pan	Moisture removed from air and drain into base pan.	This is normal for a short period in areas with little humidity; normal for a longer period in very humid areas.

Normal Operating Sounds

- You may hear a pinging noise caused by water being picked up and thrown against the condenser on rainy days or when the humidity is high. This design feature helps remove moisture and improve efficiency.
- You may hear the thermostat click when the compressor cycles on and off.
- Water will collect in the base pan during high humidity or on rainy days. The water may overflow and drip from the outdoor side of the unit.
- The fan may run even when the compressor does not.
- Water droplets being thrown against the outside coils can make a pinging noise. This helps cool the condenser. You can reduce this noise by removing the subbase water plug.

Removing this plug will lower the Energy Efficiency of your unit.

NOTE: Do not drill hole in the base pan.



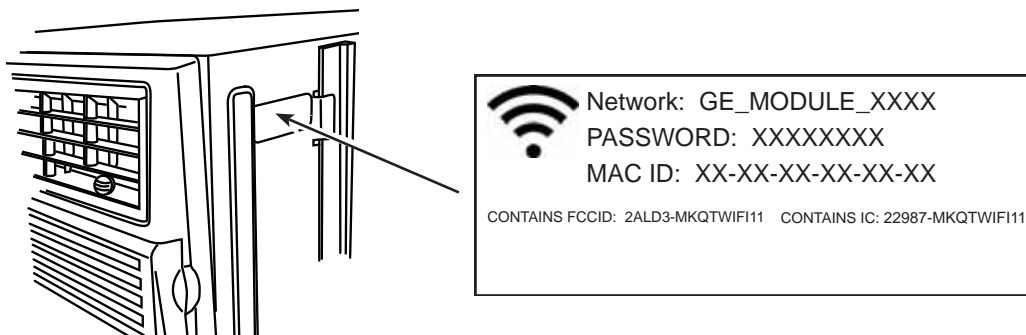
To ensure maximum efficiency it is recommended to check to ensure the rubber drain plug is properly inserted. This plug may be removed during operation to minimize water in the back of the unit; however, removing it will lower the efficiency of your unit.

NOTE: Do not drill hole in the base pan.

WiFi Setup

GE Appliances WiFi Connect (for customers in the United States)

GE Appliances WiFi Connect Enabled*. If your Air Conditioner (AC) has a Connected Appliance Information label located on the outside as shown below, your AC is **GE Appliances WiFi Connect Enabled**. A WiFi communication card is built into the product allowing it to communicate with your smart phone for remote monitoring, control and notifications. Please visit www.GEAppliances.com/connect to learn more about connected appliance features, and to learn what connected appliance apps will work with your smart phone.



WiFi Connectivity: For assistance with the appliance or the **ConnectPlus** network connectivity (for models that are WiFi enabled or WiFi optional), please call **1-800-220-6899**.

WiFi Setup

How it Works

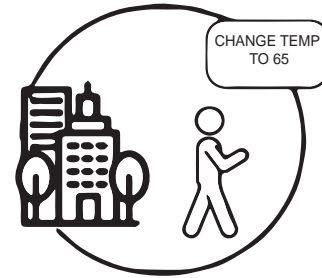
Download the GE Appliances App



Use the app to connect your room air conditioner to WiFi



Once connected, use the app to turn down your air conditioner as you leave work.



Getting Started

To connect your room air conditioner, you'll need the GE Appliances App. The app will walk you through the connection process. Download the app from iTunes or Google Play.



All connected appliance data is held in strict accordance with the GE Appliances Connected Data Privacy Policy. Visit geappliances.com/privacy/privacy_policy_connected to view this policy.

Questions about WiFi Connect

Get answers you need about setting up WiFi appliances and connecting to your home network in our support articles.

Visit products.geappliances.com/appliance/gea-support-search-content to view wifi connect room air conditioner support articles.

REGULATORY INFORMATION

FCC/IC Compliance Statement:

This device complies with Part 15 of the FCC Rules. Operation is subject to the following two conditions:

1. This device may not cause harmful interference.
2. This device must accept any interference received, including interference that may cause undesired operation.

This equipment has been tested and found to comply with the limits for a Class B digital device, pursuant to Part 15 of the FCC Rules. These limits are designed to provide reasonable protection against harmful interference in a residential installation. This equipment generates uses and can radiate radio frequency energy and, if not installed and used in accordance with the instructions, may cause harmful interference to radio communications. However, there is no guarantee that interference will not occur in a particular installation. If this equipment does cause harmful interference to radio or television reception, which can be determined by turning the equipment off and on, the user is encouraged to try to correct the interference by one or more of the following measures:

- Reorient or relocate the receiving antenna.
- Increase the separation between the equipment and receiver.
- Connect the equipment into an outlet on a circuit different from that to which the receiver is connected.
- Consult the dealer or an experienced radio/television technician for help.

Labelling: Changes or modifications to this unit not expressly approved by the manufacturer could void the user's authority to operate the equipment.

*Select Models Only

This product has Wi-Fi capability and requires Internet connectivity and a wireless router to enable interconnection with an Energy Management System, and/or with other external devices, systems or applications.

GE Appliances Air Conditioner Limited Warranty

LIMITED WARRANTY

All warranty service provided by our Factory Service Centers, or an authorized Customer Care® technician. To schedule service, visit us at GEAppliances.com/service. Have serial number and model number available when calling for service.

For The Period Of:	GE Appliances Will Replace:
One Year From the date of the original purchase	Any part of the air conditioner which fails due to a defect in materials or workmanship. During this limited one-year warranty , GE Appliances will also provide, free of charge , all labor and related service to replace the defective part.

What GE Appliances Will Not Cover:

- Service trips to your home to teach you how to use the product.
- Improper installation, delivery or maintenance. If you have an installation problem, or if the air conditioner is of improper cooling capacity for the intended use, contact your dealer or installer. You are responsible for providing adequate electrical connecting facilities.
- Failure of the product resulting from modifications to the product or due to unreasonable use including failure to provide reasonable and necessary maintenance.
- In commercial locations, labor necessary to move the unit to a location where it is accessible for service by an individual technician.
- Replacement of house fuses or resetting of circuit breakers.
- Failure due to corrosion on models not corrosion-protected.
- Damage to the product caused by improper power supply voltage, accident, fire, floods or acts of God.
- Incidental or consequential damage caused by possible defects with this air conditioner.
- Damage caused after delivery.

EXCLUSION OF IMPLIED WARRANTIES—Your sole and exclusive remedy is product repair as provided in this Limited Warranty. Any implied warranties, including the implied warranties of merchantability or fitness for a particular purpose, are limited to one year or the shortest period allowed by law.

This limited warranty is extended to the original purchaser and any succeeding owner for products purchased for home use within the USA. If the product is located in an area where service by a GE Appliances Authorized Servicer is not available, you may be responsible for a trip charge or you may be required to bring the product to an Authorized GE Appliances Service location for service. In Alaska, the limited warranty excludes the cost of shipping or service calls to your home.

Some states do not allow the exclusion or limitation of incidental or consequential damages. This limited warranty gives you specific legal rights, and you may also have other rights which vary from state to state. To know what your legal rights are, consult your local or state consumer affairs office or your state's Attorney General.

Warrantor US:
GE Appliances, a Haier company
Louisville, KY 40225

Consumer Support

GE Appliances Website

Have a question or need assistance with your appliance? Try the GE Appliances Website 24 hours a day, any day of the year! You can also shop for more great GE Appliances products and take advantage of all our on-line support services designed for your convenience. In the US: **GEAppliances.com**

Register Your Appliance

Register your new appliance on-line at your convenience! Timely product registration will allow for enhanced communication and prompt service under the terms of your warranty, should the need arise. You may also mail in the pre-printed registration card included in the packing material. In the US: **GEAppliances.com/register**

Schedule Service

Expert GE Appliances repair service is only one step away from your door. Get on-line and schedule your service at your convenience any day of the year. In the US: **GEAppliances.com/service** or call 800.432.2737 during normal business hours.

Extended Warranties

Purchase a GE Appliances extended warranty and learn about special discounts that are available while your warranty is still in effect. You can purchase it on-line anytime. GE Appliances Services will still be there after your warranty expires. In the US: **GEAppliances.com/extended-warranty** or call 800.626.2224 during normal business hours.

Remote Connectivity

For assistance with wireless network connectivity (for models with remote enable), visit our website at **GEAppliances.com/connect** or call 800.220.6899 in the US.

Parts and Accessories

Individuals qualified to service their own appliances can have parts or accessories sent directly to their homes (VISA, MasterCard and Discover cards are accepted). Order on-line today 24 hours every day. In the US: **GEApplianceparts.com** or by phone at 877.959.8688 during normal business hours.

Instructions contained in this manual cover procedures to be performed by any user. Other servicing generally should be referred to qualified service personnel. Caution must be exercised, since improper servicing may cause unsafe operation.

Contact Us

If you are not satisfied with the service you receive from GE Appliances, contact us on our Website with all the details including your phone number, or write to:

In the US: General Manager, Customer Relations | GE Appliances, Appliance Park | Louisville, KY 40225
GEAppliances.com/contact



ACCONDICIONADORES DE AIRE PARA SALA

INFORMACIÓN DE SEGURIDAD ...3

USO DEL ACONDICIONADOR DE AIRE

Controles4

Control Remoto5

Modo de Frío5

Modo de Ahorro de Energía5

Dirección del Aire6

CUIDADO Y LIMPIEZA

Parrilla y Caja6

Filtro de Aire6

Bobinas Externas6

Instalación de Baterías en el Modo Remoto6

INSTRUCCIONES DE INSTALACIÓN

Antes de comenzar7

Requisitos Eléctricos7

Piezas Incluidas8

Requisitos de la Ventana9

Preparación del Acondicionador de Aire 10

Instalación del Acondicionador de Aire .12

CONSEJOS PARA LA SOLUCIÓN DE PROBLEMAS13

Sonidos de Funcionamiento Normal14

CONFIGURACIÓN WIFI14

SOPORTE AL CLIENTE

Garantía Limitada.....17

Soporte al Cliente18

MANUAL DEL PROPIETARIO

AHTK18AAH1
 AHEK18ACH1
 AHEK24ACH1

Escriba los números de modelo y de serie aquí:

Nº de Modelo _____

Nº de Serie _____

Estos números se encuentran en una etiqueta al costado del acondicionador de aire.

GRACIAS POR HACER QUE GE APPLIANCES SEA PARTE DE SU HOGAR.

Ya sea que haya crecido usando GE Appliances, o que ésta es su primera vez, nos complace tenerlo en la familia.

Sentimos orgullo por el nivel de arte, innovación y diseño de cada uno de los electrodomésticos de GE Appliances, y creemos que usted también. Entre otras cosas, el registro de su electrodoméstico asegura que podamos entregarle información importante del producto y detalles de la garantía cuando los necesite.

Registre su electrodoméstico GE ahora a través de Internet. Sitios Web y números telefónicos útiles están disponibles en la sección de Soporte para el Consumidor de este Manual del Propietario.

También puede enviar una carta en la tarjeta de inscripción preimpresa que se incluye con el material embalado.



GE APPLIANCES

INFORMACIÓN IMPORTANTE DE SEGURIDAD

LEA TODAS LAS INSTRUCCIONES ANTES DE USAR

⚠ ADVERTENCIA Para su seguridad, siga las instrucciones de este manual a fin de minimizar riesgos de incendio, descargas eléctricas o heridas personales.

- Use este electrodoméstico sólo para su propósito original, como se describe en el Manual del Propietario.
- Este acondicionador de aire se debe instalar de forma apropiada de acuerdo con las Instrucciones de Instalación antes de ser usado.
- Nunca desenchufe su acondicionador de aire empujando el cable de corriente. Siempre tome su enchufe de manera firme y empuje el mismo hacia afuera del receptáculo.
- Reemplace de inmediato todos los cables del servicio de electricidad pelados o con cualquier tipo de daño. Un cable del servicio de corriente que esté dañado deberá ser reemplazado por uno nuevo provisto por el fabricante, y no deberá ser reparado. No use un cable con cortaduras o abrasión sobre su extensión o en cualquiera de sus enchufes o extremos.
- Coloque la unidad en OFF (Apagado) y desenchufe el acondicionador de aire antes de usar el mismo.
- Para su seguridad... no acumule ni use materiales combustibles, gasolina u otros vapores o líquidos inflamables cerca de éste u otro electrodoméstico.
- Todos los acondicionadores de aire contienen refrigerantes, los cuales de acuerdo con la ley federal se deben quitar antes de deshacerse del producto. Si se deshazá de un producto antiguo con refrigerantes, consulte a la compañía a cargo sobre cómo deshacerse del mismo.
- Si el receptáculo no coincide con el enchufe, el cambio del mismo deberá ser realizado por un electricista calificado.
- Estos sistemas de acondicionadores de aire R410A requieren que los contratistas y técnicos utilicen herramientas, equipamiento y estándares de seguridad aprobados para su uso con este refrigerante. NO use equipamiento certificado sólo para refrigerante R22.
- Para evitar el riesgo de lesiones o daños sobre la propiedad, el servicio técnico del acondicionador de aire SÓLO deberá ser realizado por un técnico calificado.

⚠ ADVERTENCIA USO DE PROLONGADORES

RIESGO DE INCENDIO. Podría ocasionar lesiones graves o la muerte.

- NO use un prolongador con este Acondicionador de Aire de Ventana.

- NO use protectores contra picos de corriente ni adaptadores para múltiples tomacorrientes con este Acondicionador de Aire de Ventana.

CÓMO CONECTAR LA ELECTRICIDAD

Nunca, bajo ninguna circunstancia, corte o elimine el tercer cable (tierra) del cable de corriente. Para su seguridad personal, este electrodoméstico debe estar adecuadamente conectado a tierra.

NO use un enchufe adaptador con este electrodoméstico.

El cable de corriente de este electrodoméstico contiene un enchufe de 3 cables (conexión a tierra) que se conecta a un tomacorriente de pared estándar de 3 cables (conexión a tierra) para minimizar la posibilidad de riesgos de descargas eléctricas por parte del mismo.

El cable de corriente incluye un interruptor de corriente. Se brinda un botón de evaluación y reinicio en la caja del enchufe. El dispositivo deberá ser evaluado en forma periódica, presionando primero el botón **TEST** (Evaluar) y luego **RESET** (Reinicio) mientras se encuentre enchufado al tomacorriente. Si el botón **TEST** (Evaluar) no se activa o el botón **RESET** (Reinicio) no permanece en su posición, deje de usar el acondicionador de aire y comuníquese con un técnico calificado del servicio.

Contrate a un electricista calificado para que controle el tomacorriente y el circuito eléctrico para asegurar que el enchufe esté correctamente conectado a tierra.

En caso de contar con un tomacorriente de pared de 2 cables, es su responsabilidad y obligación reemplazarlo por un tomacorriente de pared de 3 cables correctamente conectado a tierra.

El acondicionador de aire debería estar siempre conectado a un enchufe específico con un índice de voltaje equivalente al que figura en su etiqueta de características técnicas.

Esto garantiza el mejor funcionamiento y además previene la sobrecarga de los circuitos del hogar, lo cual podría ocasionar riesgos de incendio debido al recalentamiento de cables.

Para conocer los requisitos específicos de la conexión eléctrica, consulte las Instrucciones de Instalación, Requisitos Eléctricos.

⚠ ADVERTENCIA Riesgo de Quemadura Química. Mantenga las pilas alejadas de los niños.

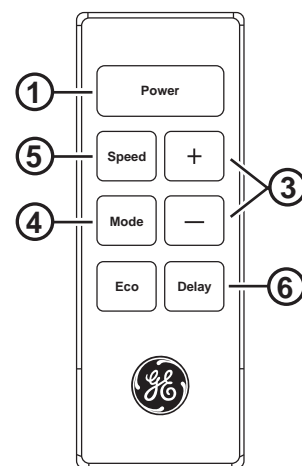
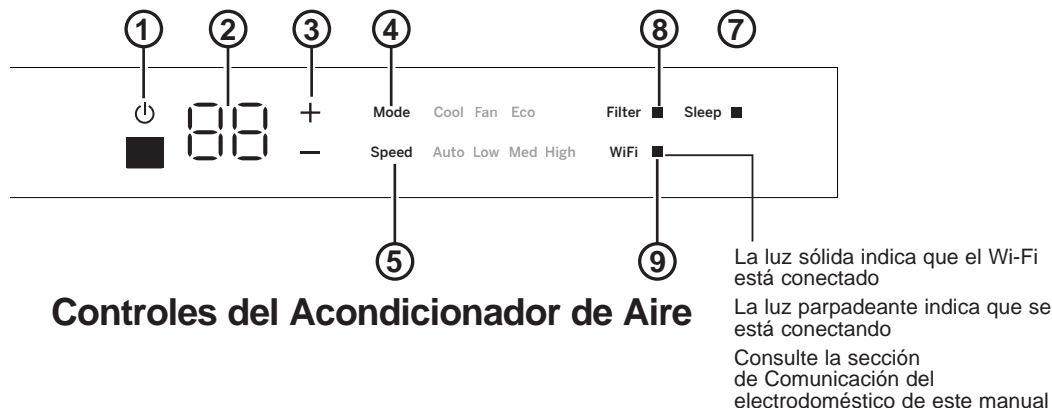
- Este producto contiene una pila de litio con celdas tipo botón/ moneda. Si una pila de litio con celdas tipo botón/ moneda nueva o usada es tragada o ingresa en el cuerpo, podrá ocasionar quemaduras internas graves y producir la muerte en menos de 2 horas. Siempre asegure completamente el compartimiento de la pila. Si no es posible cerrar el compartimiento de la pila de forma segura, deje de usar el producto, retire las pilas, y mantenga el mismo alejado de los niños.
- Si cree que las pilas fueron tragadas o colocadas dentro de cualquier parte del cuerpo, busque atención médica inmediata.
- Las celdas deberán ser descartadas de forma apropiada, incluyendo mantener las mismas alejadas de los niños.
- Incluso las celdas usadas pueden ocasionar daños.

LEA Y GUARDE ESTAS INSTRUCCIONES

Controles

Las funciones y la apariencia podrán variar.

Las luces al lado de las teclas táctiles del panel de control del acondicionador de aire indican las configuraciones seleccionadas.



Controles del Acondicionador de Aire

1. Tecla de Power (Encendido)

Apaga y prende el acondicionador de aire. Al encenderse, la pantalla mostrará la temperatura ambiente.

2. Pantalla

Muestra la temperatura ambiente o el tiempo restante en el Sincronizador de retardo. Muestra la temperatura **Definida** al configurar la temperatura en los modos **Cool (Frío)** o de **Eco (Ahorro de energía)**. La luz de **Ajuste** se encenderá durante la configuración.

3. Teclas de Temp Aumento + /Reducción -

Usado para ajustar la temperatura cuando se encuentre en el modo **Cool (Frío)** o **Eco (Ahorro de energía)**. La luz de Ajuste se encenderá durante la configuración.

4. Tecla de Mode (Modo)

Usado para ajustar el acondicionador de aire al modo **Cool (Frío)** o **Eco (Ahorro de energía)**.

5. Teclas de Fan Speed (Velocidad del ventilador)

En modo **Cool (Frío)** o **Eco (Ahorro de energía)**: Use las mismas para configurar la velocidad del ventilador en **Auto**, **High (Alto)**, **Med (Medio)**, o **Low (Bajo)** en la unidad.

En modo **Teclas de Fan Speed (Velocidad del ventilador)**: Use las mismas para configurar la velocidad del ventilador en **High (Alto)**, **Med (Medio)**, o **Low (Bajo)** en la unidad.

6. Tecla de Retraso (establecido solo por lo Control Remoto)

Delay ON (Retraso Encendido)—Cuando el acondicionador de aire se encuentre apagado, se podrá configurar para que se encienda automáticamente en un período de entre 1 y 24 horas en el modo y configuraciones del ventilador previas.

Delay OFF (Retraso del Apagado)—Cuando el acondicionador de aire se encuentre encendido, se podrá configurar automáticamente para que se apague en un período de entre 1 y 24 horas.

Cómo configurar:

Presione la tecla **Delay** (Retraso) en el control remoto. Cada vez que presione las teclas **Increase (Incrementar) + / Decrease (Reducir) -** de control remoto se ajustará el temporizador por intervalos de 1 hora.

Para revisar el tiempo restante en el temporizador de **Delay (Retraso)**, presione la tecla **Delay (Retraso)** de control remoto. Use las teclas **Increase (Incrementar) + / Decrease (Reducir) -** de control remoto para configurar un tiempo nuevo si así lo desea.

Para cancelar el temporizador, presione la tecla **reducir v** en el control remoto, hasta que el tiempo configurado sea cero.

7. Tecla de Sleep (Dormir) (establecido solo por los controles del acondicionador de aire)

El modo **SLEEP** (Dormir) configura la unidad para que gradualmente cambie las configuraciones en un período de 8 horas, a fin de permitir cierto incremento de eficiencia energética durante las horas de inactividad.

El modo **SLEEP** (Dormir) está disponible sólo en las configuraciones **COOL** (Frío) y **FAN** (Ventilador).

Presione la tecla del modo **SLEEP** (Dormir) y la luz se encenderá. El indicador del ventilador permanecerá en la misma configuración, pero el acondicionador de aire cambiará automáticamente la velocidad del ventilador a **LOW** (Bajo) ya sea en el modo **COOL** (Frío) o **FAN** (Ventilador).

En el modo **FAN** (Ventilador) únicamente, el ventilador permanecerá en la configuración de velocidad **LOW** (Bajo) durante 8 horas. Luego de 8 horas, el acondicionador de aire reanudará las configuraciones que fueron ajustadas antes de que se presionara la tecla del modo **SLEEP** (Dormir).

En el modo **COOL** (Frío), el ventilador permanecerá en la configuración de velocidad **LOW** (Bajo) durante 8 horas desde el momento en que la tecla del modo **SLEEP** (Dormir) sea presionada. El acondicionador de aire también elevará el punto de configuración 2°F en 30 minutos y 2°F más en otros 30 minutos, donde permanecerá durante las siguientes 7 horas. Luego de 8 horas, el acondicionador de aire reanudará las configuraciones que fueron ajustadas antes de que se presionara la tecla del modo **SLEEP** (Dormir).

Mientras la unidad se encuentre en el modo **SLEEP** (Dormir), presionar cualquier tecla hará que regrese a las configuraciones que fueron ajustadas antes de que se presionara la tecla del modo **SLEEP** (Dormir).

8. Tecla de Reinicio del Filtro

Esta función automática le notifica que el filtro de aire debe ser limpiado. La luz indicadora se encenderá luego de 250 horas de funcionamiento. Limpie el filtro de aire (consulte la página 6), vuelva a colocarlo en el panel frontal, y presione la tecla **Filter Reset** (Reinicio del Filtro). La luz se apagará.

9. WiFi Connect

WiFi Connect le permite la conexión del acondicionador de aire al WiFi del hogar. Descargue los detalles de la Aplicación en www.GEAppliances.com/connect.

Uso del Acondicionador de Aire

No Utilizar con Condiciones Climáticas Exteriores de Congelación

Este acondicionador de aire sólo frío no fue diseñado para uso con condiciones climáticas exteriores de temperatura helada.

No deberá ser usado con condiciones climáticas exteriores de temperatura helada.

Función de Luces Encendidas/ Apagadas del Panel de Control

Este acondicionador de aire cuenta con una función de panel de control de luces encendidas/ apagadas, donde dichas luces se apagarán cuando no haya actividad en los controles por más de un minuto. Para reactivar los controles, presione cualquier tecla de los controles y las luces se iluminarán para mostrar las configuraciones previas.

Para desactivar esta función, mantenga presionada la tecla SLEEP (Dormir), sobre la unidad, durante 5 segundos. La unidad emitirá un pitido para señalar que la función fue encendida o apagada con éxito.

Control Remoto

- Para asegurar un uso apropiado, apunte el control remoto al receptor de señal del acondicionador de aire.
- La señal del control remoto cuenta con un alcance de hasta 20 pies.

- Asegúrese de que no haya obstrucciones entre el acondicionador de aire y el control remoto que pudieran bloquear la señal.
- Asegúrese de que las pilas sean nuevas y que estén instaladas correctamente, como se indica en el control remoto.

Modo Cool (Frío)

Use el modo **Cool (Frío)** a **Low (Bajo)**, **Med (Medio)**, **High (Alto)** o **Auto Fan Speed (Velocidad de ventilador automática)** para enfriar. Use las teclas de **Temperature (Temperatura) Aumento + / Reducción -** para ajustar a la temperatura deseada entre 64°F y 86°F en incrementos de 1°F.

Se usa un termostato electrónico para mantener la temperatura ambiente. El compresor hará ciclo entre apagado y encendido para mantener la habitación a la temperatura deseada. Ajuste el termostato a un número menor y el aire interno se enfriará más. Si lo ajusta a un número mayor, la temperatura del aire interno se calentará más.

NOTA: Si el acondicionador de aire está apagado y luego se enciende mientras se ajusta en la configuración Cool (Frío) o si se pasa de una configuración de ventilación a una configuración de Cool (Frío), es posible que al compresor le tome aproximadamente 3 minutos comenzar y que comience la refrigeración.

Descripciones de enfriamiento

Para enfriamiento normal—Seleccione el modo **Cool (Frío)** y ventilador **High (Alto)** o **Med (Medio)** con una temperatura de ajuste media.

Para enfriamiento máximo—Seleccione el modo **Cool (Frío)** y ventilador **High (Alto)** con una temperatura de ajuste menor.

Para enfriamiento silencioso y enfriamiento nocturno—Seleccione el modo **Cool (Frío)** y ventilador **Low (Bajo)** con una temperatura de ajuste media.

Eco (Modo de ahorro de energía)

Controla el ventilador.

ON (ENCENDIDO)—El ventilador hará un ciclo de encendido y apagado con el compresor. Este resulta en variaciones mayores en la temperatura de la habitación y en la humedad. **NOTA:** es posible que el ventilador continúe funcionando durante un período de tiempo corto o que titile de forma intermitente cuando el compresor finalice su ciclo para probar el aire de la sala.

OFF (APAGADO)—El ventilador funciona todo el tiempo, mientras que el compresor pasa por los ciclos de encendido y apagado.

Modo de Fan Only (Solo ventilador)

Use Fan Only Mode (Modo de Sólo Ventilador) en la velocidad de ventilador Low (Baja), Med (Media) o High (Alta), a fin de brindar una circulación de aire y filtrado sin enfriamiento. Debido a que las configuraciones de sólo ventilador no

brindan enfriamiento, no se podrá ingresar una temperatura configurada. La temperatura del ambiente aparecerá en la pantalla.

Velocidad Automática del Ventilador

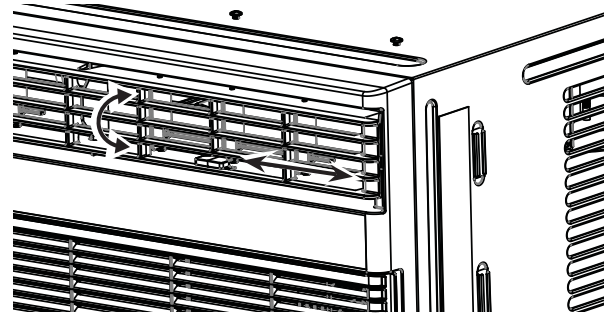
Configure en **Auto (Automática)** para que la velocidad del ventilador se configure de forma automática en la velocidad necesaria para brindar ajustes de confort óptimos con la temperatura configurada.

Si se necesita más frío en la habitación, la velocidad del ventilador se incrementará de forma automática. Si se necesita más frío en la habitación, la velocidad del ventilador se reducirá de forma automática.

Uso del Acondicionador de Aire

Dirección del Aire

Use la palanca para ajustar la dirección del aire hacia la izquierda o derecha. Incline la rejilla para hacer ajustes hacia arriba o abajo.



Cuidado y limpieza

Parrilla y Caja

Apague el acondicionador de aire y retire el enchufe del tomacorriente antes de limpiar.

Para limpiar, use agua y un detergente suave. No use blanqueadores ni abrasivos.

Filtro de Aire

El filtro de aire que se encuentra detrás de la rejilla frontal se debe revisar y limpiar por lo menos cada 30 días o con una frecuencia mayor, si fuera necesario.

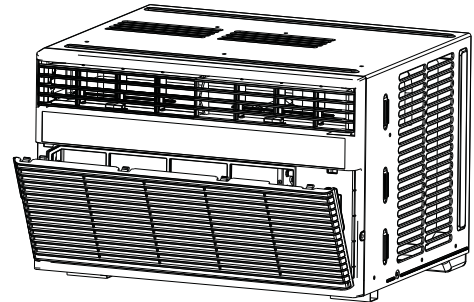
Para retirar:

Abra la rejilla de entrada empujando hacia abajo las lengüetas en las esquinas superiores de la rejilla de entrada, hasta que la rejilla se encuentre en una posición de 45°. Retire el filtro.

Limpie el filtro con agua caliente y jabón. Enjuague y deje secar el filtro antes de su reemplazo. No limpie el filtro en un lavavajillas.

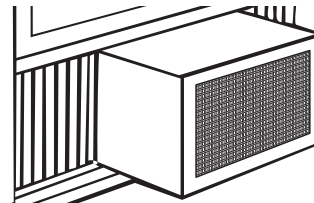
⚠ PRECAUCIÓN

NO utilice el acondicionador de aire sin un filtro, ya que la suciedad y las pelusas producirán atascamientos y reducirán su funcionamiento.



Bobinas Exteriores

Las bobinas del lado exterior del acondicionador de aire se deberán controlar de forma regular. Si se encuentran atascadas con tierra u hollín, deberán ser limpiadas por un profesional.



Cómo insertar las pilas en el control remoto

1. Retire la cubierta de la pila deslizándola de acuerdo con la dirección de la flecha.
2. Inserte pilas nuevas cerciorándose de que los polos positivos (+) y negativos (-) están orientados correctamente.
3. Coloque la cubierta otra vez deslizándola en su lugar.

NOTAS:

- Use 2 pilas "AAA" de 1,5 voltios. No use pilas recargables.
- Retire las pilas del control remoto si no va a usar el sistema por un período prolongado.
- No mezcle baterías nuevas y viejas. No mezcle baterías estándar (carbono-cinc) o recargables (ni-cad, ni-mh, etc).

Instrucciones de instalación

PARA MÁS AYUDA, VISITE GEAPPLIANCES.COM

ANTES DE INICIAR

Lea estas instrucciones completa y cuidadosamente.

- **IMPORTANTE** – Guarde estas instrucciones para uso del inspector local.
- **IMPORTANTE** – Observe todos los códigos y órdenes de ley.
- **Nota al instalador** – Asegúrese de dejar estas instrucciones con el consumidor.
- **Nota al consumidor** – Conserve estas instrucciones para referencia futura..
- **Nivel de destreza** – La instalación de este aparato requiere de destrezas mecánicas básicas.
- **Tiempo de ejecución** – Aprox. 1 hora
- Recomendamos dos personas para la instalación de este producto.
- La instalación apropiada es la responsabilidad del instalador.
- La falla del producto debido a una instalación inadecuada no está cubierta por la garantía.
- Cuando instale este acondicionador de aire, DEBE usar todas las piezas suministradas y usar procedimientos adecuados de instalación.

REQUISITOS ELÉCTRICOS

El enchufe con conexión a tierra de 3 clavijas reduce la posibilidad de una descarga eléctrica. En caso de contar con un tomacorriente de pared de 2 cables, es su responsabilidad y obligación reemplazarlo por un tomacorriente de pared de 3 cables correctamente conectado a tierra.

Algunos modelos requieren 230/208 voltios, de corriente alterna, protegidos por un fusible de dilatación de tiempo o un cortacircuitos. Estos modelos deberían instalarse en un ramal exclusivo del circuito para un rendimiento más notable y para prevenir sobrecargas en los circuitos de cableados de su casa o apartamento, lo cual podría representar un riesgo de incendio por el sobrecalentamiento de los alambres.

REQUISITOS ELÉCTRICOS(CONT)

⚠ PRECAUCIÓN

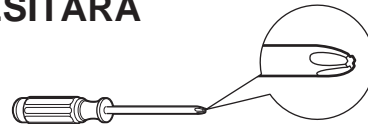
Bajo ninguna circunstancia corte o remueva la tercera púa (conexión a tierra) del cable eléctrico.

No cambie el enchufe en el cable eléctrico de este acondicionador de aire.

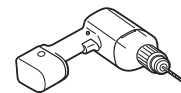
Los cables caseros de aluminio podrían presentar problemas especiales. Consulte a un técnico electricista calificado.

El cable de alimentación incluye un dispositivo para interrupción de corriente. Se incluye un botón de prueba y de reinicio en el dispositivo. El dispositivo debe ponerse a prueba periódicamente: primero se presiona el botón de **TEST** (prueba) y luego **RESET** (reinicio) mientras se encuentra enchufado al tomacorriente. Si el botón **TEST** no se dispara o si el botón **RESET** no queda enganchado, deje de utilizar el acondicionador de aire y comuníquese con un técnico calificado.

HERRAMIENTAS QUE NECESITARÁ



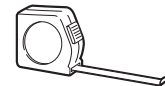
Un destornillador de estrella



Taladro y broca de 1/8"



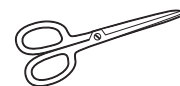
Lápiz



Una regla o cinta métrica



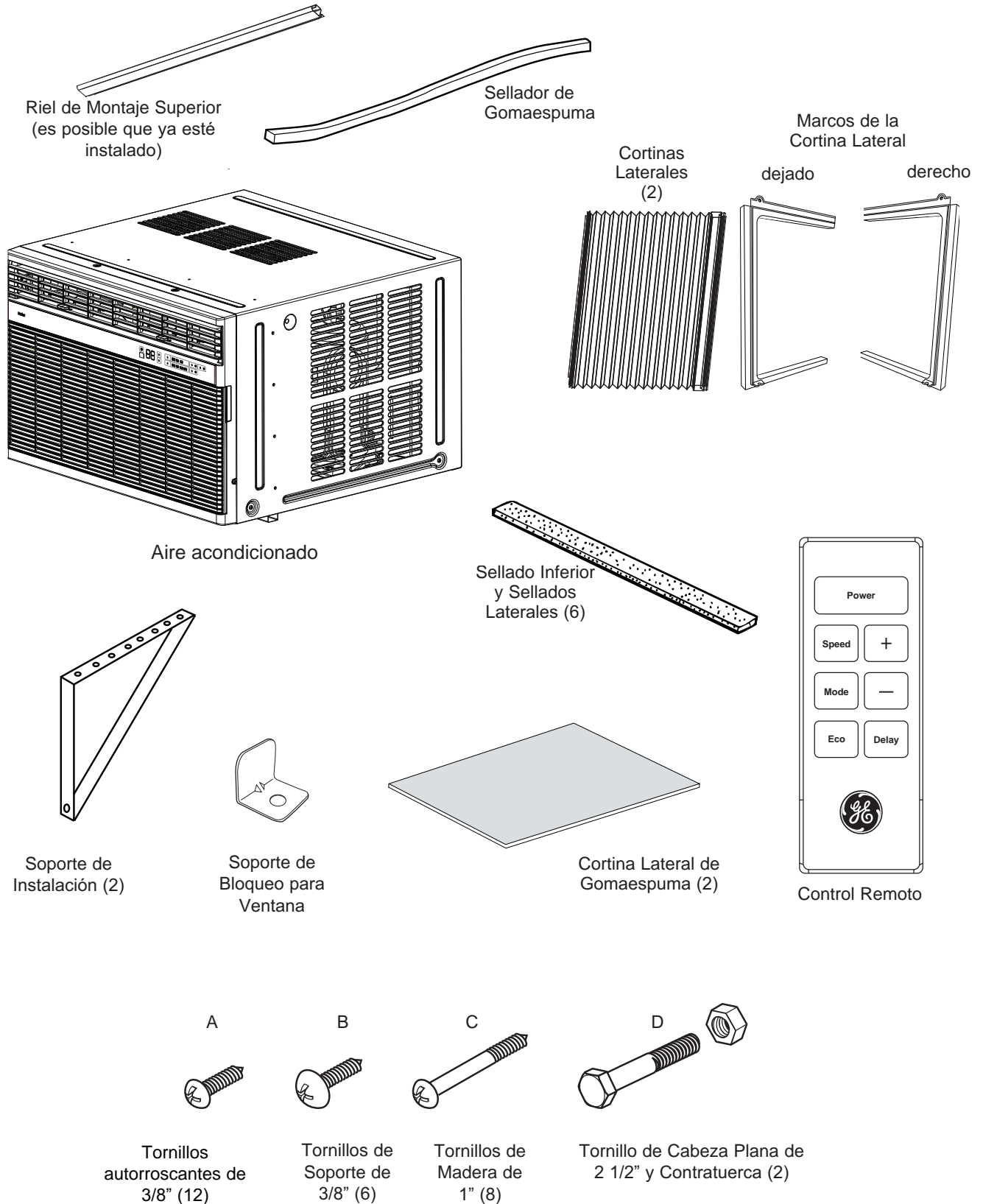
Nivel



Tijeras o cuchilla

Instrucciones de instalación

PARTES INCLUIDAS (La apariencia puede variar)

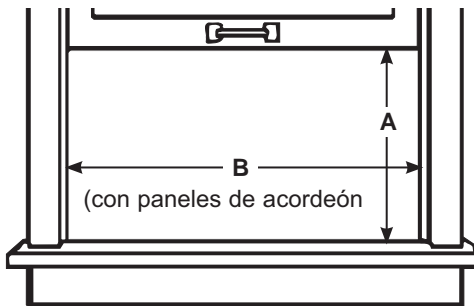


Instrucciones de instalación

1. REQUISITOS PARA LA VENTANA

- Estas instrucciones son para una ventana estándar de dos pliegues. Usted necesitará modificar el proceso para otros tipos de ventanas.
- El acondicionador de aire puede instalarse sin los paneles de acordeón para ajustarse a una ventana más estrecha. Ver las dimensiones de la abertura de la ventana.
- Todas las partes de apoyo deben quedar totalmente aseguradas a algún metal, mampostería o a la madera.
- El tomacorriente eléctrico debe estar al alcance del cable eléctrico del acondicionador de aire.
- Siga las dimensiones de la tabla y la ilustración según su modelo.

Models	A	B
AHTK18AA	19 1/8" min	30"-39"
AHEK18AC		
AHEK24AC		



2. REQUISITOS DE UNA VENTANA DE TORMENTAS

Un marco de ventana de tormentas no permitirá que el acondicionador de aire se incline hacia el exterior y evitará que drene apropiadamente. Para solucionar este problema, adhiera un pedazo de madera a el umbral.

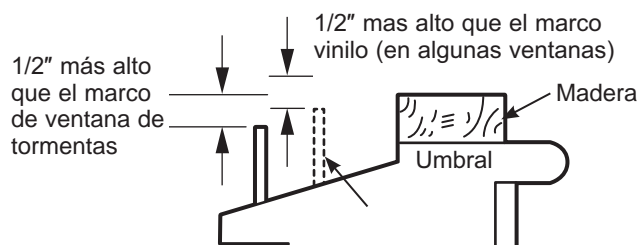
PEDAZOS DE MADERA

ANCHO: 2"

LONGITUD: Lo suficientemente largo como para ajustar en el interior del marco de la ventana.

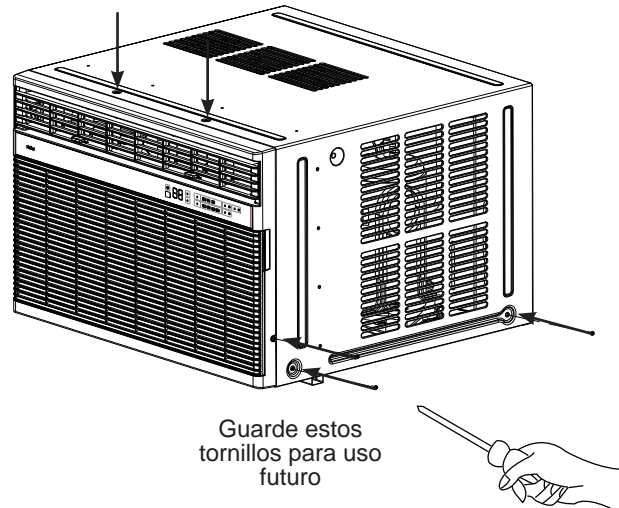
GRUESO: Para determinar el grueso, coloque un pedazo de madera en el umbral para hacerla 1/2" más alta que la parte superior del marco de la ventana de tormentas o del marco vinilo.

Péguelo firmemente con clavos o con tornillos proporcionados por el instalador.

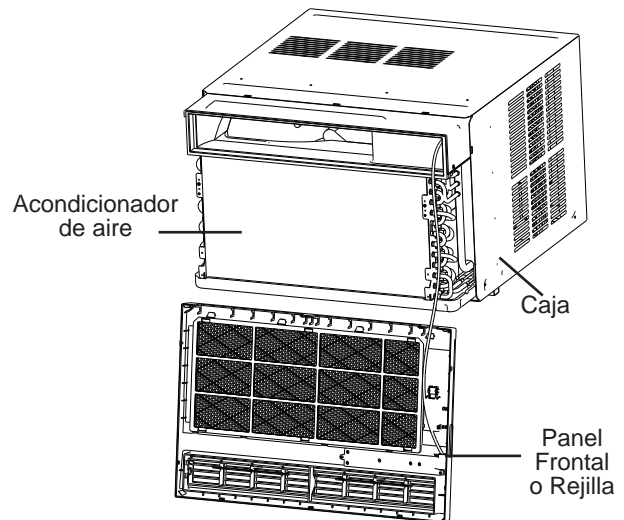


3. PREPARE EL ACONDICIONADOR DE AIRE

- A. Retire los tres tornillos que se encuentran a cada lado de la caja, y los dos tornillos desde la parte superior de la caja. Guarde los mismos para su uso posterior.



- B. Inserte un tornillo de cabeza plana entre la parrilla frontal y la caja de metal sobre los costados. Suavemente levante la parrilla de la caja. **NOTA:** Cubra el destornillador de cabeza plana con cinta, a fin de evitar rayones sobre la caja.



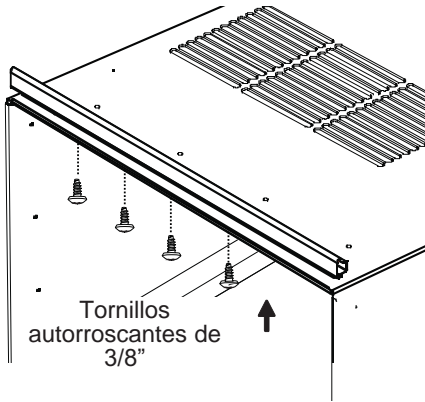
- C. El panel frontal del acondicionador de aire posee un cableado hacia el acondicionador de aire. No pueden ser separados.
- D. Mientras una persona sostiene el panel frontal, solicite a una segunda persona que empuje el mismo hacia afuera de la caja usando la manija que se encuentra en la parte frontal inferior del acondicionador de aire.
- E. El acondicionador de aire es muy pesado, a fin de asegurar que quedará apoyado sobre una superficie resistente.

Instrucciones de instalación

4. PREPARE LA CAJA

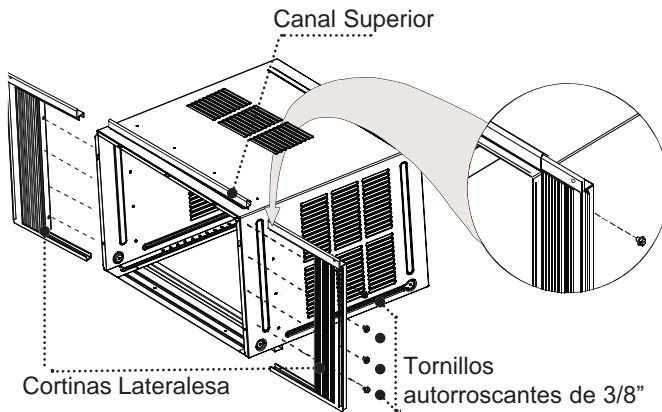
NOTA: Coloque las cortinas en el acondicionador de aire antes de colocar el acondicionador de aire en la ventana.

- A. Instale el riel de montaje superior (si aún no está instalado) con cuatro tornillos tipo A.



- B. Deslice la junta de la cortina del lado izquierdo en el extremo izquierdo del riel de montaje superior e inferior. Repita este proceso en la junta de la cortina del lado derecho.

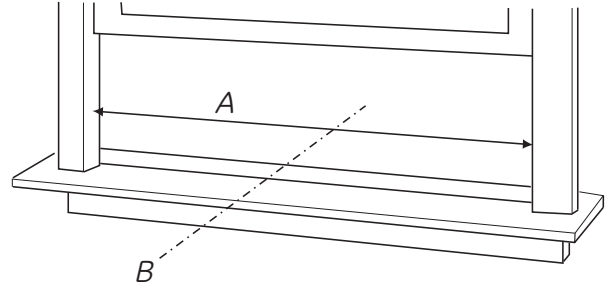
- C. Ajuste las tiras de retención de la cortina a los costados de la caja externa con cuatro tornillos tipo A en los agujeros a cada lado. Use 4 tornillos tipo B para asegurar los paneles laterales en sus lugares correspondientes.



5. PREPARE LA VENTANA PARA LA INSTALACIÓN

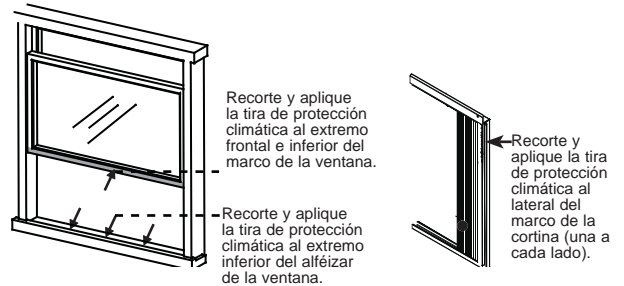
- A. Mida el ancho de la abertura de la ventana.

- B. Marque la línea central del alféizar interno.



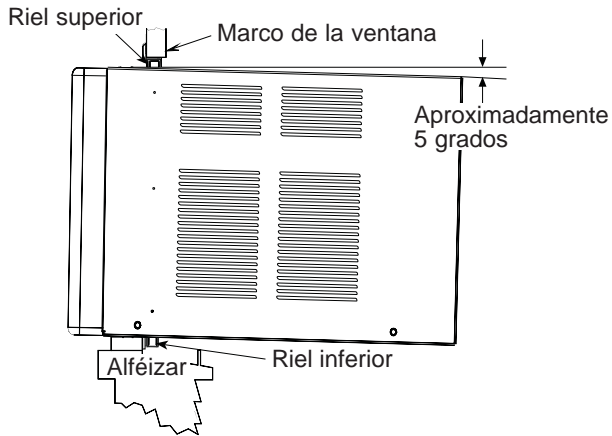
- A. Ancho de la abertura de la ventana
B. Línea central

- C. Coloque el burlete provisto para la parte inferior, superior y laterales de la ventana sobre el sellado alrededor del perímetro del acondicionador de aire.



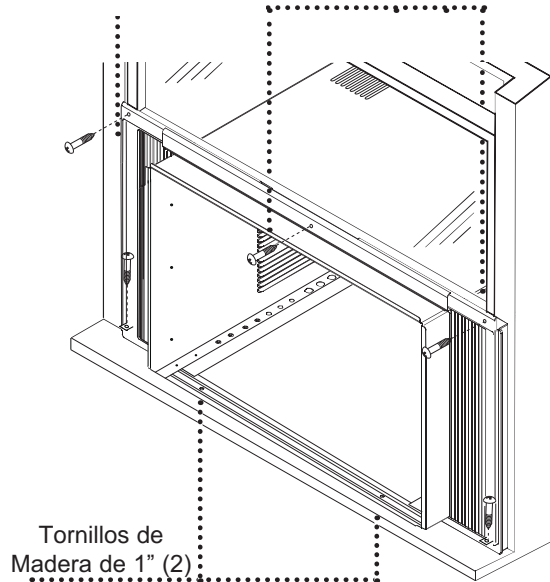
6 INSTALE LA CAJA EXTERNA EN LA VENTANA

- A. Coloque la caja externa en la ventana. Baje el marco hasta que se apoye detrás de la pestaña frontal del riel de montaje superior. El riel de montaje inferior se deberá apoyar detrás del alféizar de la ventana.



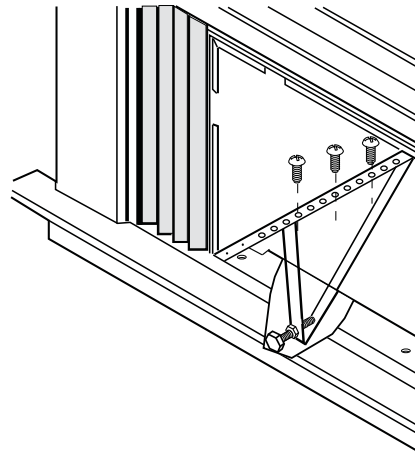
- B. Expanda los paneles de la cortina para llenar la ventana. Asegure con un tornillo de madera tipo C en los extremos superior e inferior. De ser necesario, use un taladro y broca de 1/8" para hacer agujeros piloto para los tornillos.
- C. Use tres tornillos tipo C para asegurar la caja al alféizar de la ventana. Si es necesario, haga agujeros piloto.

Tornillos de Madera de 1"

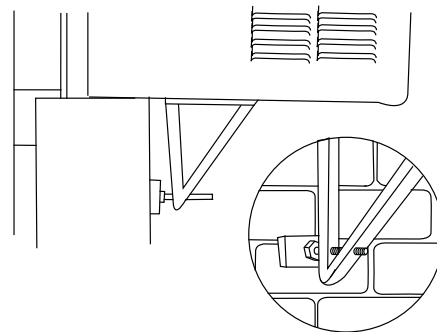


6 INSTALE LA CAJA EXTERNA EN LA VENTANA

- D. Enrosque la tuerca en el tornillo, luego enrosque el tornillo en el soporte triangular, como se muestra en la siguiente figura.



- E. Adhiera el soporte triangular a la parte inferior de la caja, usando tres tornillos tipo B para cada soporte. Asegúrese de que el soporte esté lo suficientemente cerca de la pared externa donde el tornillo tenga contacto. Ajuste el tornillo de modo que quede bien colocado contra la pared externa.

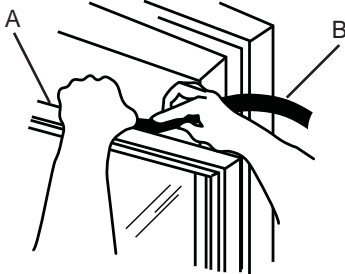


NOTA: Un bloque de madera puede ser colocado entre el tornillo y la pared externa, si el tornillo se apoya entre los montantes.

Instrucciones de instalación

7. INSTALACIÓN COMPLETA

- A. Inserte el sello de gomaespuma detrás de la parte superior del marco de la ventana y contra el vidrio de la ventana superior.



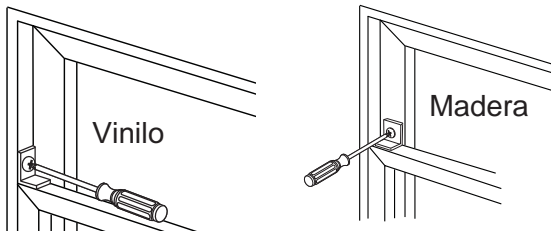
A. Parte superior del marco inferior de la ventana
B. Sellador de gomaespuma

- B. Coloque el soporte de bloqueo de la ventana como se muestra. Use una broca de 1/8" para taladrar un agujero inicial a través del agujero del soporte de bloqueo de la ventana y en la ventana superior.

⚠ PRECAUCIÓN

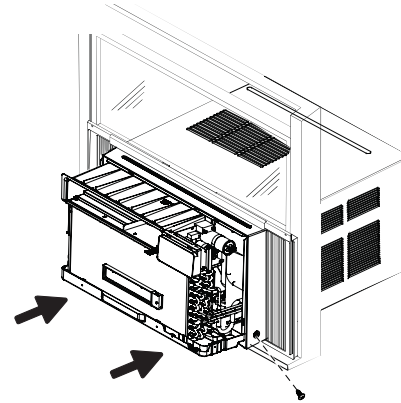
Para evitar la rotura de vidrios o daños sobre las ventanas, en ventanas de vinilo u otras ventanas construidas de forma similar, adhiera el soporte de bloqueo de la ventana a la jamba lateral de la ventana con un tornillo tipo B.

- C. Adhiera el soporte de bloqueo de la ventana a la ventana superior con un tornillo tipo C, a fin de asegurar la ventana en su posición.

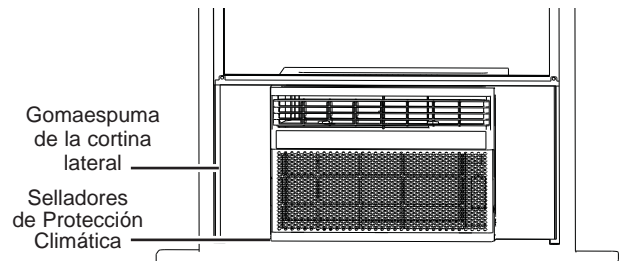


8. REGRESE EL CHASIS A LA CAJA EXTERNA

- A. Una vez que la caja esté adherida de forma segura a la ventana, vuelva a instalar el acondicionador de aire. Dos personas deben levantar el acondicionador de aire y deslizar el mismo sobre la caja. Asegúrese de que el panel frontal cableado esté posicionado de modo que no interfiera con el deslizamiento del acondicionador de aire sobre la caja.



- B. Una vez que la caja esté adherida de forma segura a la ventana, vuelva a instalar el acondicionador de aire. Dos personas deben levantar el acondicionador de aire y deslizar el mismo sobre la caja. Vuelva a usar los tornillos del Paso 3, en la página 9.
- C. Mida y corte la lámina reforzada con gomaespuma adhesiva. Aplique ésta sobre la cortina lateral y el marco.



- D. Enchufe en un tomacorriente con conexión a tierra de 3 cables.

⚠ ADVERTENCIA



Riesgo de Descarga Eléctrica

No retire el cable a tierra.

No use un adaptador.

No use un prolongador.

Si no se siguen estas instrucciones, se podrá producir la muerte, incendio o descargas eléctricas.

- E. Presione RESET (Reiniciar) en el cable de suministro de corriente. Consulte los requisitos eléctricos.

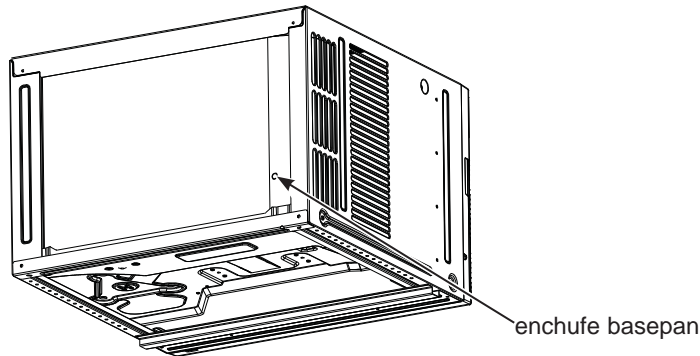
Consejos para la Solución de Problemas... Antes de solicitar el servicio técnico

¡Ahorre tiempo y dinero! Primero revise los cuadros que aparecen en las siguientes páginas y es posible que no necesite solicitar reparaciones.

Problema	Causas posibles	Qué hacer
El acondicionador de aire no enciende	El acondicionador de aire está desconectado.	Cerciórese de que el acondicionador de aire está enchufado totalmente en el tomacorriente.
	El fusible se disparó/ el cortacircuitos se disparó.	Inspeccione los fusibles / caja de interruptores de la casa y reemplace cualquier fusible o reajuste el interruptor.
	Interrupción en el suministro eléctrico.	La unidad se reiniciará automáticamente con la configuración utilizada por última vez luego de reestablecer la electricidad. Existe un retraso de tiempo por protección (de aproximadamente 3 minutos) para evitar la desconexión por sobrecarga del compresor. Por esta razón, es posible que la unidad no comience a enfriar de forma normal hasta transcurridos 3 minutos desde que volvió a encenderse.
	El dispositivo de interrupción de corriente se ha activado.	Presione el botón RESET ubicado en el cable de alimentación. Si el botón RESET no se mantiene en su lugar, no utilice más el acondicionador de aire y comuníquese con un técnico calificado.
El acondicionador de aire no enfría como debería	El flujo de aire está restringido.	Cerciórese de que no existe ninguna cortina, persiana o mueble bloqueando el frente del acondicionador de aire.
	El control de temperatura no está ajustado apropiadamente.	En los modelos con botones, gire la temperatura a un número mayor.
	El filtro de aire está sucio.	Limpie el filtro cada 30 días por lo menos. Ver la sección de Cuidado y limpieza.
	La habitación podría haber estado caliente.	Cuando el acondicionador de aire se enciende, usted necesita darle tiempo para que enfríe la habitación.
	El aire frío se está escapando.	Cerciórese de que los registros de la calefacción no están abiertos y se encuentran retornando el aire frío.
	Las bobinas de enfriamiento se congelaron.	Ver "Acondicionador de aire congelándose" más adelante.
El acondicionador de aire se está congelando	El hielo bloquea el flujo de aire hacia el acondicionador de aire evitando que se enfríe la habitación.	Configure el control de modo en High Fan (Ventilador Alto) o High Cool (Frío Alto) con la configuración de temperatura lo más alto que pueda ser configurada.
Hay agua goteando afuera	Tiempo húmedo y caliente.	Esto es normal.
Hay agua goteando en el interior de la habitación	El acondicionador de aire no está inclinado hacia afuera.	Para drenar el agua apropiadamente, cerciórese de que el acondicionador de aire está inclinado ligeramente desde el frente hacia atrás.
Se acumula agua en la bandeja	La humedad removida del aire y se drena hasta la bandeja.	Esto es normal por un corto período en áreas con poca humedad; normal por un período de tiempo más postergado en áreas más húmedas.

Sonidos de operación normales

- Quizás escuche un sonido metálico causado por el agua tomada y tirada contra el condensador en los días lluviosos o cuando la humedad es alta. Esta característica de diseño ayuda a remover la humedad y mejora la eficiencia.
- Quizás escuche que el termostato hace clic cuando el compresor hace ciclo entre encendido y apagado.
- El agua se acumula en la bandeja durante días lluviosos o con mucha humedad. El agua podría derramarse y gotear desde el lado externo de la unidad.
- El ventilador podría funcionar aun si el compresor no lo hace.
- Las gotitas de agua que caen contra las bobinas externas pueden hacer un ruido de “ping”. Esto ayuda a enfriar el condensador. Puede reducir este ruido retirando el enchufe de agua de la sub-base.



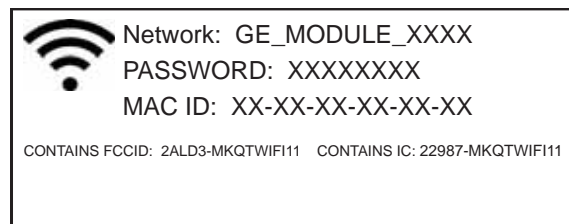
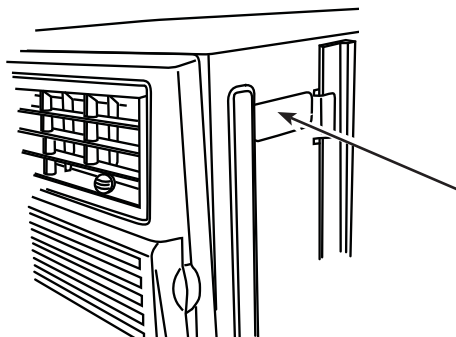
Para asegurar la máxima eficiencia, se recomienda verificar que el tapón de drenaje de goma esté correctamente insertado. Este tapón se puede quitar durante la operación para minimizar el agua en la parte posterior de la unidad; sin embargo, quitarlo reducirá la eficiencia de su unidad.

NOTA: No haga un agujero en la olla de la base.

Configuración WiFi

GE Appliances WiFi Connect (Conexión WiFi de GE Appliances) (Para clientes en Estados Unidos)

GE Appliances WiFi Connected Habilitado* Si su acondicionador de aire posee una etiqueta de Información del Electrodoméstico Conectado ubicada en la parte externa como se muestra a continuación, su acondicionador de aire cuenta con GE WiFi Connect Habilitado. Una tarjeta de comunicación de WiFi está incorporada en el producto, permitiendo la comunicación del mismo con su teléfono inteligente para el monitoreo remoto, control y notificaciones. Para aprender más sobre las funciones del electrodoméstico conectado, y para saber qué aplicaciones de electrodomésticos conectados funcionarán con su teléfono inteligente, visite www.GEAppliances.com/connect.



Conectividad WiFi: Para solicitar asistencia en relación a su electrodoméstico o sobre la conectividad de red **ConnectPlus** (para modelos con WiFi habilitado o WiFi opcional), comuníquese al **1-800-220-6899**.

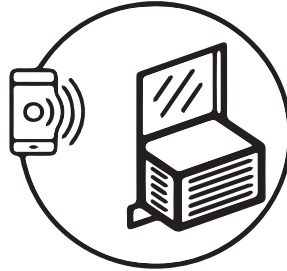
Configuración WiFi

Cómo Funciona

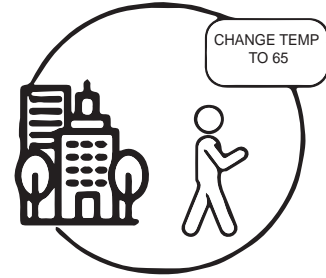
Descargue la Aplicación de GE Appliances



Use la aplicación para conectar su acondicionador de aire para sala al WiFi



Una vez conectada, use la aplicación para apagar su acondicionador de aire al salir del trabajo.



Puesta en marcha

A fin de conectar su acondicionador de aire para sala, necesitará la Aplicación de GE Appliances. La aplicación lo guiará a través del proceso de conexión. Descargue la aplicación de iTunes o Google Play.



Los datos de todos los electrodomésticos conectados son guardados en estricto cumplimiento con la Política de Privacidad de Datos de Conexión de GE Appliances. Para acceder a esta política, visite geappliances.com/privacy/privacy_policy_connected.

Preguntas acerca de WiFi Connect

Acceda a respuestas necesarias sobre la configuración de electrodomésticos con WiFi y la conexión a su red hogareña a través de nuestros artículos de soporte.

Para acceder a los artículos de soporte la conexión wifi del acondicionador de aire para sala, visite products.geappliances.com/appliance/gea-support-search-content.

INFORMACIÓN REGULATORIA

Declaración de Cumplimiento con FCC/ IC:

1. Este dispositivo no podrá causar interferencias perjudiciales.
2. Este dispositivo debe aceptar cualquier interferencia recibida, incluidas las interferencias que puedan provocar un funcionamiento no deseado.

Este equipo fue probado y cumple con los límites establecidos para un dispositivo digital de clase B, según la parte 15 de la Normativa de la FCC. Estos límites fueron diseñados para brindar una protección razonable contra interferencias nocivas en una instalación residencial. Este equipo genera, usa y puede emitir energía de radiofrecuencia y, si no se instala y utiliza de acuerdo con las instrucciones, puede ocasionar interferencias perjudiciales sobre las comunicaciones radiales. Sin embargo, no se garantiza que no se presenten interferencias en una instalación en particular. Si este equipo provoca interferencias perjudiciales para la recepción de radio o televisión, lo que puede comprobar encendiendo y apagando el equipo, se aconseja al usuario que intente corregir la interferencia a través de una o más de las siguientes medidas:

- Reoriente o reubique la antena receptora.
- Aumente la separación entre el equipo y el receptor.
- Conecte el equipo a un tomacorriente de un circuito diferente al tomacorriente al cual se encuentra conectado el receptor.
- Para solicitar ayuda, consulte al comerciante minorista o a un técnico experimentado de radio/ televisión.

Etiqueta: Las modificaciones sobre esta unidad no aprobadas expresamente por parte del fabricante podrían anular la autoridad del usuario para utilizar el equipo.

*Modelos Selectos Únicamente

Este producto tiene capacidad Wi-Fi y requiere conectividad a Internet y un enrutador inalámbrico para permitir la interconexión con un Sistema de administración de energía y / o con otros dispositivos, sistemas o aplicaciones externos.

Garantía Limitada del Acondicionador de Aire GE Appliances

Todo el servicio de garantía es provisto por nuestros Centros de Servicio de Fabricación, o un técnico autorizado del Customer Care® (Servicio al Cliente). Para programar una visita del servicio técnico a través de Internet, visítenos en GEAppliances.com/service. Cuando llame para solicitar el servicio, tenga los números de serie y modelo disponibles.

Por el período de:	GE Appliances Reemplazará:
Un año A partir de la fecha de la compra original	Cualquier parte del acondicionador de aire que falle debido a defectos en los materiales o en la fabricación. Durante esta garantía limitada de un año , GE Appliances también proporcionará, sin costo alguno, toda la mano de obra y el servicio relacionado—para reemplazar partes defectuosas.

Qué No Cubrirá GE Appliances:

- Viajes de servicio a su casa para mostrarle cómo funciona el equipo.
- Instalación o entrega inapropiada, o mantenimiento impropio. Si usted tiene un problema durante la instalación, o si su acondicionador de aire no tiene la capacidad de enfriamiento que usted necesita, póngase en contacto con nuestro distribuidor o instalador. Usted es responsable de proporcionar las facilidades de conexión eléctrica necesarias.
- Fallo del producto resultante de modificaciones al producto o debido a uso irrazonable incluyendo no proporcionar mantenimiento razonable y necesario.
- En locales comerciales, la mano de obra necesaria para retirar la unidad hacia un lugar para revisión por parte de un técnico individual.
- Reemplazo de fusibles de la casa o reajuste del sistema de circuitos.
- Fallos debido a la corrosión en modelos que no están protegidos contra la corrosión.
- Daño al producto causado por voltaje inapropiado hacia el equipo, accidentes, incendios, inundaciones o actos de la naturaleza de fuerza mayor.
- Daños incidentales o consecuenciales causados por defectos posibles con este acondicionador de aire.
- Daños después de la entrega.

EXCLUSIÓN DE GARANTÍAS IMPLÍCITAS—Su único y exclusivo derecho es la reparación del producto, tal y como se indica en esta Garantía limitada. Cualquier garantía implícita, incluyendo las garantías implícitas de comerciabilidad o adecuación para un fin determinado, están limitadas a un año o el período de tiempo más breve permitido por la ley.

Esta garantía se extiende al comprador original y cualquier comprador posterior de productos comprados para uso residencial dentro de Estados Unidos. Si el producto está situado en un área que no dispone de servicio por parte de un proveedor de servicio autorizado de GE Appliances, podría tener que hacerse cargo de los costes de envío o bien podría solicitársele que lleve el producto a una centro de servicio de GE Appliances autorizado para realizar la reparación. En Alaska, la garantía excluye el costo de envío o las visitas de servicio a su casa.

Algunos estados no permiten la exclusión o las limitaciones de daños incidentales o consecuenciales. Esta garantía da derechos legales específicos, y usted podría tener otros derechos que variarán de estado a estado. Para saber cuáles son sus derechos legales, consulte a la oficina de asuntos del consumidor local o la oficina del Attorney General en su localidad.

Garante:
GE Appliances, a Haier company
Louisville, KY 40225

Soporte al Cliente

GE Appliances Sitio Web

¿Desea realizar una consulta o necesita ayuda con su electrodoméstico? ¡Intente a través del Sitio Web de Electrodomésticos de GE Appliances las 24 horas del día, cualquier día del año! Usted también puede comprar más grandiosos productos de GE Appliances y sacar ventaja de todos nuestros servicios a través de Internet diseñados para su conveniencia.
En EE.UU.: GEAppliances.com

Registre su Electrodoméstico

¡Registre su electrodoméstico nuevo a través de Internet, según su conveniencia! Un registro puntual de su producto permitirá una mejor comunicación y un servicio más puntual de acuerdo con los términos de su garantía, en caso de surgir la necesidad. También puede enviar una carta en la tarjeta de inscripción pre-impresa que se incluye con el material embalado.
En EE.UU.: GEAppliances.com/register

Servicio Programado

El servicio de reparación de expertos de GE Appliances está a sólo un paso de su puerta. ¡Conéctese a través de Internet y programe su servicio a su conveniencia cualquier día del año! En EE.UU.: GEAppliances.com/service o llame al 800.432.2737 durante el horario comercial habitual.

Garantías Extendidas

Adquiera una garantía extendida de GE Appliances y aprenda sobre descuentos especiales que están disponibles mientras su garantía aún está vigente. La puede adquirir en cualquier momento a través de Internet. Los Servicios de GE Appliances aún estarán allí cuando su garantía caduque. En EE.UU.: GEAppliances.com/extended-warranty o llame al 800.626.2224 durante el horario comercial habitual.

Conectividad Remota

Para solicitar asistencia con la conectividad de red inalámbrica (para modelos con activación remota), visite nuestro sitio Web en GEAppliances.com/connect o llame al 800.220.6899 en EE.UU.

Piezas y Accesorios

Individuos calificados para realizar el servicio técnico de sus propios electrodomésticos podrán solicitar el envío de piezas o accesorios directamente a sus hogares (se aceptan las tarjetas VISA, MasterCard y Discover). Ordene a través de Internet hoy durante las 24 horas del día. En EE.UU.: GEApplianceparts.com o por teléfono al 877.959.8688 durante el horario comercial habitual.

Las instrucciones que figuran en este manual cubren los procedimientos que serán realizados por cualquier usuario. Otros servicios técnicos generalmente deberían ser derivados a personal calificado del servicio. Se deberá tener cuidado, ya que una reparación indebida podrá ocasionar que el funcionamiento no sea seguro.

Contáctenos

Si no se encuentra satisfecho con el servicio que recibió de GE Appliances, comuníquese con nosotros a través de nuestro sitio Web con todos los detalles, incluyendo su número telefónico, o escriba a:

En EE.UU.: General Manager, Customer Relations | GE Appliances, Appliance Park | Louisville, KY 40225
GEAppliances.com/contact