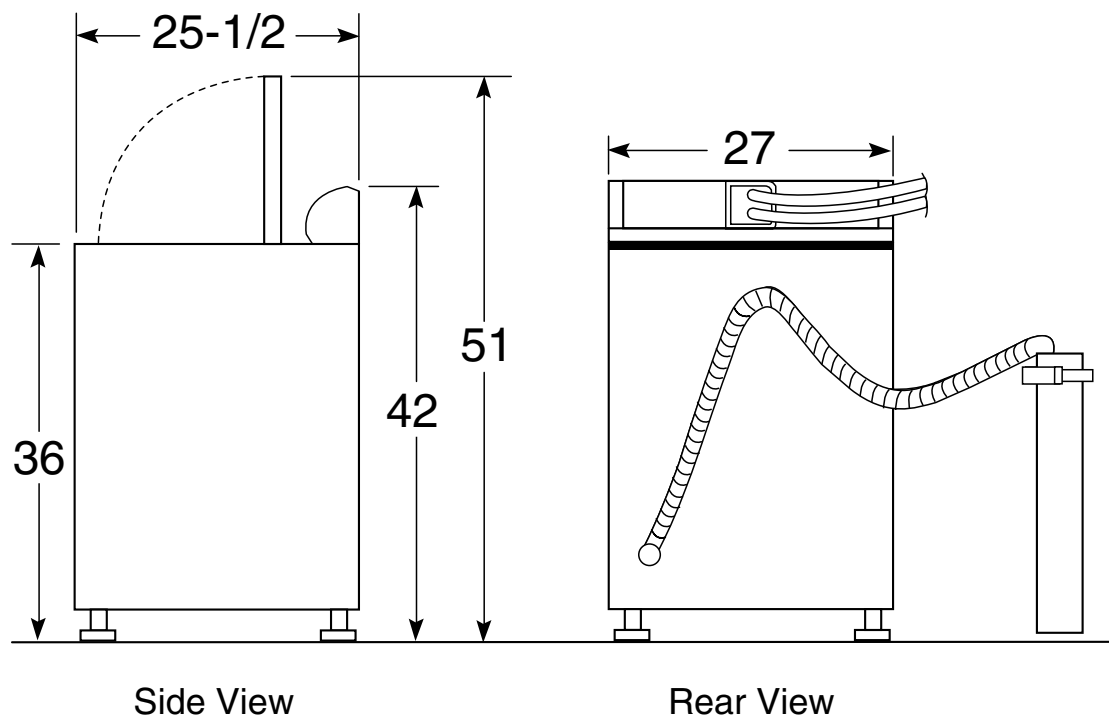


HOTPOINT®

HTWP1000M– Hotpoint® 3.3 DOE cu. ft. capacity PermaTuf® II smooth basket

Washer Dimensions (in inches)



Circuit Requirements: An individual, properly-grounded branch circuit, with a three-prong grounding-type receptacle, protected by a 15 or 20 amp circuit breaker or a time-delay fuse, is required.

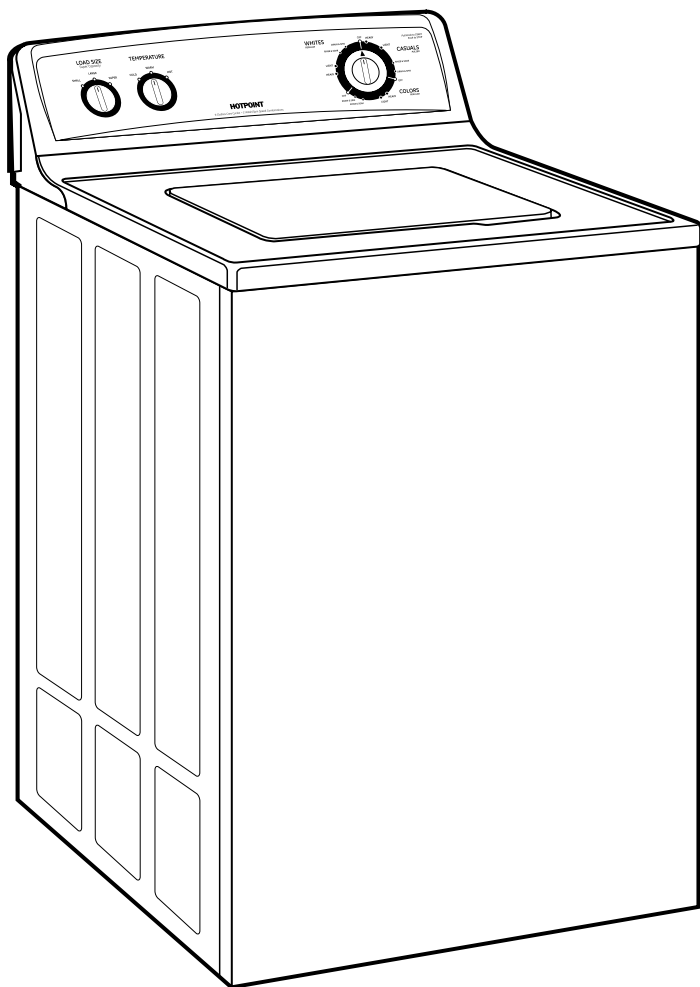
Electrical Rating: 115V, 60Hz, 10 Amps

Installation Information: Before installing, consult installation instructions packed with product for current dimensional data.

Washer Note: Washer wall outlet must be located within 36" of service cord entry. Wall outlet must not be located behind dryer.

HOTPOINT®

HTWP1000M– Hotpoint® 3.3 DOE cu. ft. capacity PermaTuf® II smooth basket



Features and Benefits

- FlexCare™ agitator - Flexible fins provide gentle, effective washing action and simplify loading
- Rotary electromechanical controls - Easy-to-use controls make it simple to set cycles
- 2 wash/spin speed combinations - Speeds are matched to fabric type for great clothes care
- 9 wash cycles - Multiple cycles are designed to specifically handle various fabrics and soils
- Bleach dispenser - Automatically mixes bleach with wash water for proper dilution and bleaching action
- 3 water levels - Allows user to match the water level to each load of wash
- 3 wash/rinse temperatures - A variety of temperatures provide great wash results and longer fabric life
- Auto balance suspension system - Handles the heaviest loads without banging or walking, to help reduce noise
- 630 RPM spin speed - Fast speeds remove more water during the spin cycle to minimize drying time
- Model HTWP1000MWW – White on white