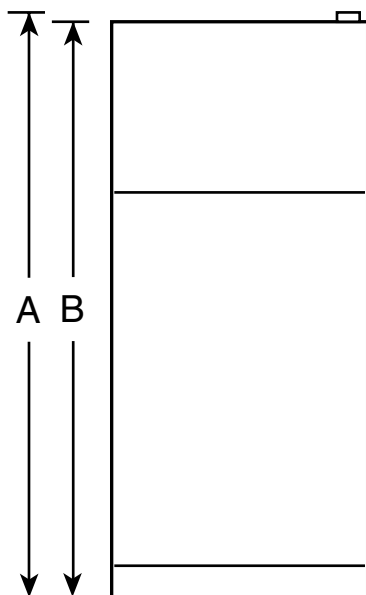


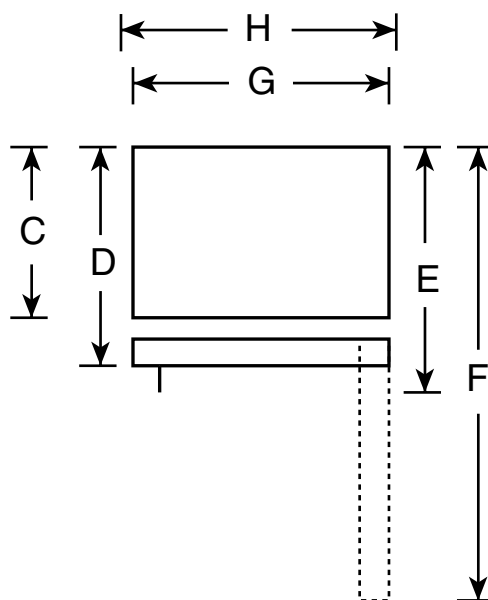
# HOTPOINT®

## HTH18CCT – Hotpoint® ENERGY STAR® 18.2 Cu. Ft. Top-Freezer Refrigerator

Front View



Top View



Overall Dimensions	Height to top of hinge (in.) <b>A</b>	<b>67-3/8</b>
	Height to top of case (in.) <b>B</b>	<b>66-7/8</b>
	Height to mid-freezer (in.)	<b>57</b>
	Case depth without door (in.) <b>C</b>	<b>26-3/4</b>
	Case depth less door handle (in.) <b>D</b>	<b>30-1/2</b>
	Case depth with door handle (in.) <b>E</b>	<b>32-3/8</b>
	Depth with fresh food door open 90° (in.) <b>F</b>	<b>56-3/8</b>
	Width (in.) <b>G</b>	<b>28</b>
Air Clearances	Width with door open 90° with door handle (in.) <b>H</b>	<b>30-3/4</b>
	Each side (in.)	<b>3/4</b>
	Top (in.)	<b>1</b>
	Back (in.)	<b>1</b>

**Note:** Before installing, consult installation instructions packed with product for current dimensional data.

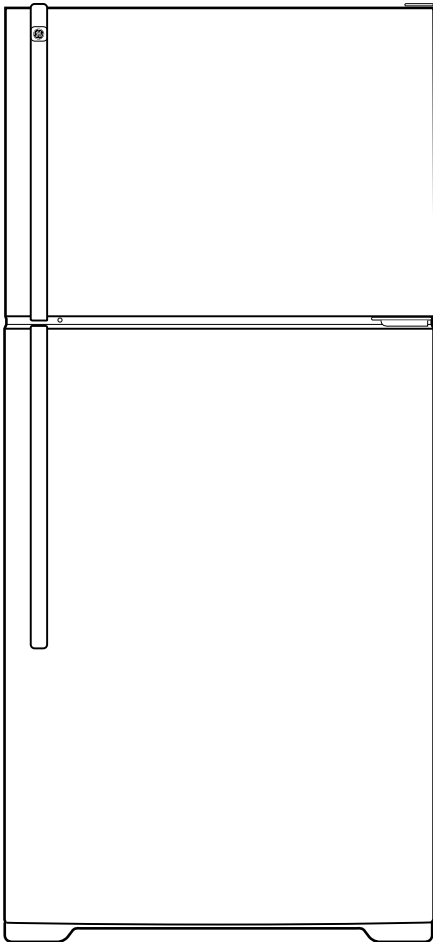
**Note: All Top-Freezer No-Frost Right-Hand Refrigerator Doors:** As you face the front of the refrigerator, the handle is on your left and the hinges are on your right.

**All Top-Freezer No-Frost Left-Hand Refrigerator Doors:** As you face the front of the refrigerator, the handle is on your right and the hinges are on your left.





## HTH18CCT – Hotpoint® ENERGY STAR® 18.2 Cu. Ft. Top-Freezer Refrigerator



### Features and Benefits

- Upfront temperature controls - Easy-to-use controls are located in an easy-to-reach position
- Adjustable wire shelves - Flexible shelving options can be arranged to handle a variety of foods
- Fixed gallon door shelves - Provides the ideal space for storing gallon containers in the door
- Can storage door shelf - Soft drink cans are within easy reach in the door for quick access
- Crisper drawers - Provides the ideal environment for storing your fruits and vegetables
- Factory-installed icemaker - Refrigerator comes ready to automatically create ice
- Snack drawer - Conveniently stores favorite foods and allows for quick, easy access
- Model HTH18CCTRWW – White