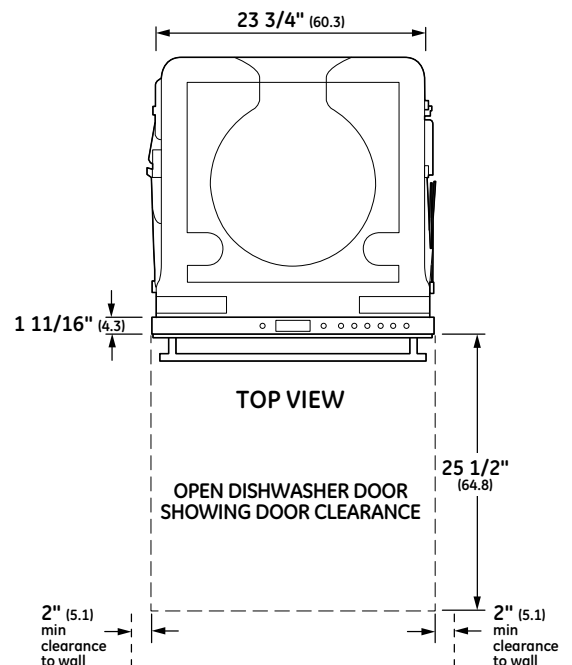
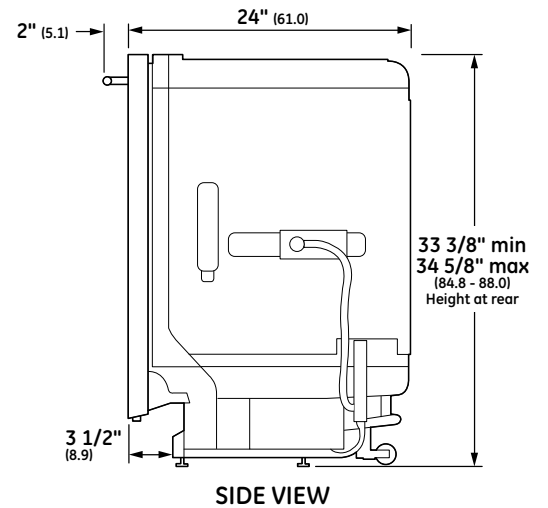
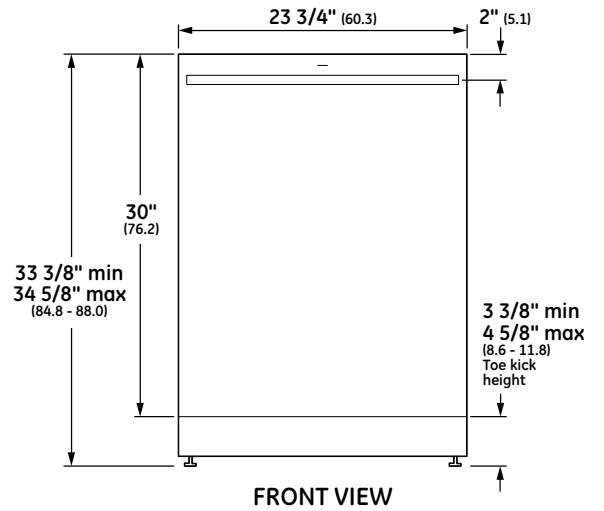


OVERALL DIMENSIONS



SPECIFICATIONS

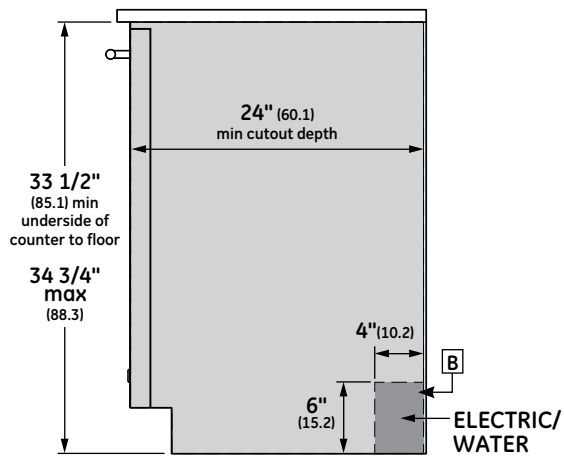
Overall Width	23 3/4" (60.3 cm)
Overall Height	33 3/8" (84.8 cm) Min 34 5/8" (88.0 cm) Max
Overall Depth	24" (61 cm)
Door Clearance	25 1/2" (64.8 cm)
Overall Dishwasher Capacity	16 Place Settings
Minimum Cabinet Width	24" (61 cm)
Minimum Cabinet Depth	24" (61 cm)
Cutout Width	24" (61 cm)
Cutout Height	33 1/2" (85.1 cm) Min 34 3/4" (88.3 cm) Max
Electrical Requirements	9.0 A
Hose Length	No more than 12' (3.7 m)
Voltz/Hertz/Amps	115 V, 60 Hz, 15 or 20 amp circuit
Shipping Weight	139 lb (63 kg)



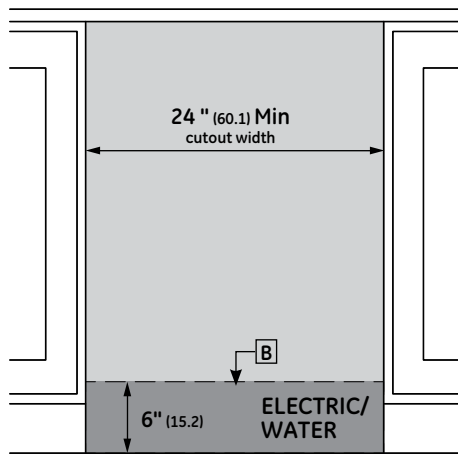
Dimensions in parentheses are in centimeters unless otherwise noted.



INSTALLATION



FLUSH CUTOUT INSTALLATION



INSTALLATION CUTOUT FRONT VIEW

NOTES

- A** The dishwasher drain hose must be no more than 12 feet in length for proper drainage.
- B** Electrical connections are at the right front of the dishwasher and water connections are on the left. The hot water line should extend forward 30" to 40" from the rear wall. The electrical must extend forward at least 24" to reach the junction box.
- C** To prevent siphoning, an air gap or high drain loop must be used.

FEATURES AND BENEFITS

GE's most advanced wash system with 102 cleaning jets - Achieve the ultimate clean from an industry-leading number of jets that deliver complete washing coverage to every corner of the dishwasher

LED lighting - Illuminate the entire interior, leaving no question as to whether or not dishes have been cleaned

42 dBA with LED status indicator on door - A dishwasher this quiet has a status indicator to tell you if the dishwasher is Washing, Drying or Clean

Bottle Wash Jets - Hard-to-reach areas inside tall items get completely clean with four dedicated jets integrated into the upper rack that shower water deep inside for the ultimate clean

Top control LCD display - User-friendly controls combined with a LCD screen complement the sleek stainless look

Easy Touch Adjustable Upper Rack with 2 Stem Safe wine glass holders - Quickly adjust the upper rack 2 inches up or down to accommodate tall glassware and 10 1/2" plates with plenty of room in the bottom rack for large platters and cookie sheets

Wash Zones - Wash a true half-load in either the upper or lower rack without sacrificing options and cycles available on a full wash

Reversing Blade Wash Arm - Dishes come out impressively clean thanks to this revolutionary lower wash arm, with 25 spray jets reversing direction to hit items from every angle

Exclusive Max Dry System - Improves drying performance by utilizing a high output, multi-speed fan



Residential

