

JVX5305EJ/SJ

GE® 30" ENERGY STAR® Certified Under-the-Cabinet Hood

DIMENSIONS AND INSTALLATION INFORMATION (IN INCHES)

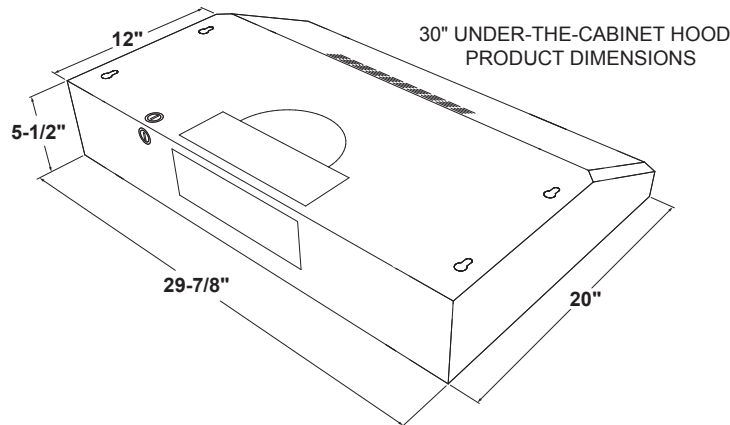
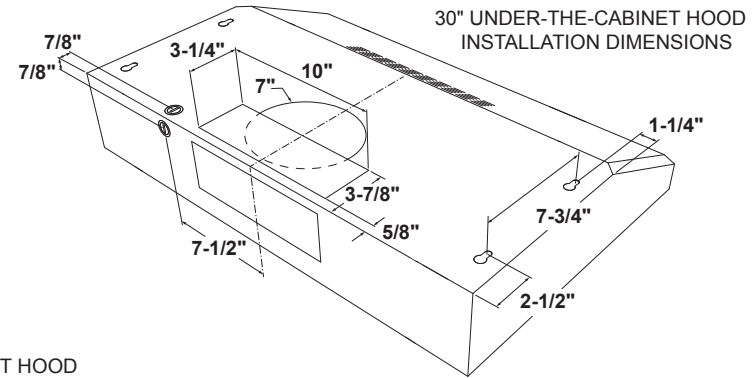
WB02X11537 replacement grease filter and JXCF55 replacement charcoal filter are available at additional cost. Call toll-free 800.626.2000.

INSTALLATION INFORMATION: Before installing, consult installation instructions packed with product for current dimensional data.

ADDITIONAL ACCESSORIES:

JXS50SS 15" cabinet spacer

AMP RATING	
120V	1.0



Exhaust outlet connects to 3-1/4" x 10" rectangular duct. Vent top or rear. Includes rectangular damper.



For answers to your Monogram, Café™, GE Profile™ or GE Appliances product questions, visit our website at geappliances.com or call GE Answer Center® Service, 800.626.2000.



Listed by Underwriters Laboratories



JVX5305EJ/SJ

GE® 30" ENERGY STAR® Certified Under-the-Cabinet Hood

FEATURES AND BENEFITS

Easy installation - 10 minutes or less by one person

Two-speed, 270 CFM venting system - Removes smoke, grease, odors and moisture

Front controls - Enjoy easy access and a subtle appearance

Dual LED lighting - Choose bright light while cooking

Convertible venting options - Select recirculating or external venting

Vertical and rear exhaust - Exhausts from the top or rear of the hood

Appearance (Fully enclosed bottom) - Enjoy a sleek appearance from every angle

Dishwasher-safe filter - Filters grease and is dishwasher-safe

Model JVX5305SJSS - Stainless steel

Model JVX5305EJES - Slate



CFM/SONES RATINGS	
Exhaust High Speed (HS)	270/4.5
Exhaust Low Speed (LS)	100/1.5

*Not ENERGY STAR® Certified if hood is installed in a non-vented configuration.



For answers to your Monogram, Café™, GE Profile™ or GE Appliances product questions, visit our website at geappliances.com or call GE Answer Center® Service, 800.626.2000.