

# GTWN4450M GE® 3.6 DOE cu. ft. stainless steel capacity washer

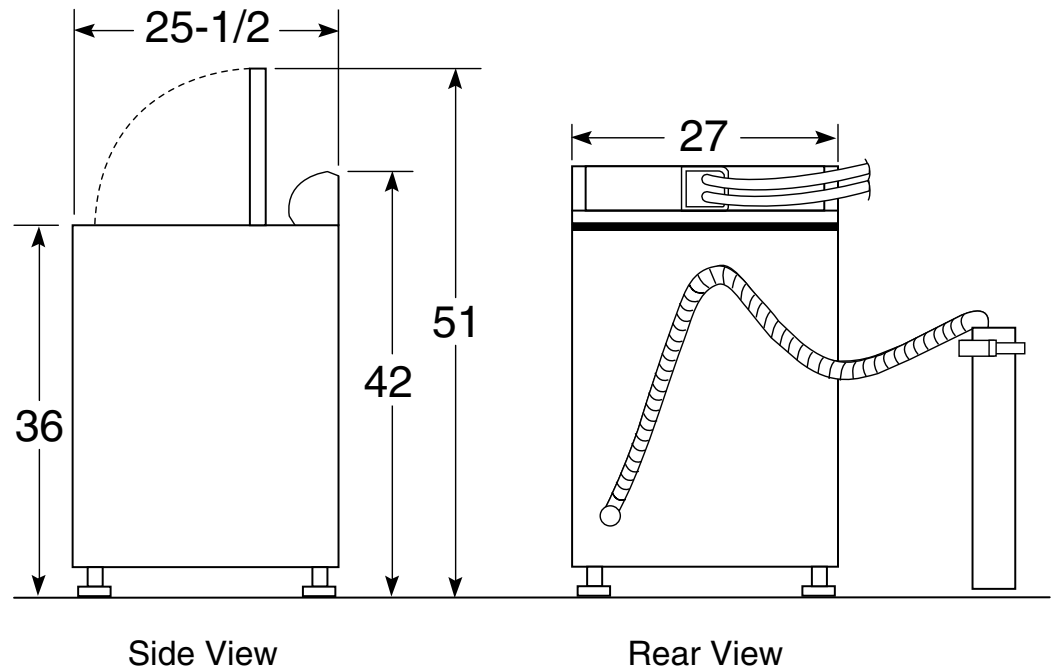
## Dimensions and Installation Information (in inches)

**Circuit Requirements:** An individual, properly-grounded branch circuit, with a three-prong grounding-type receptacle, protected by a 15 or 20 amp circuit breaker or a time-delay fuse, is required.

**Electrical Rating:** 120V, 60Hz, 10A

**Note:** Washer wall outlet must be located within 36" of service code entry. Wall outlet must not be located behind dryer.

**Installation Information:** Before installing, consult installation instructions packed with product for current dimensional data.



For answers to your Monogram®, GE Profile™ or GE® appliance questions, visit our website at [geappliances.com](http://geappliances.com) or call GE Answer Center® service, 800.626.2000.

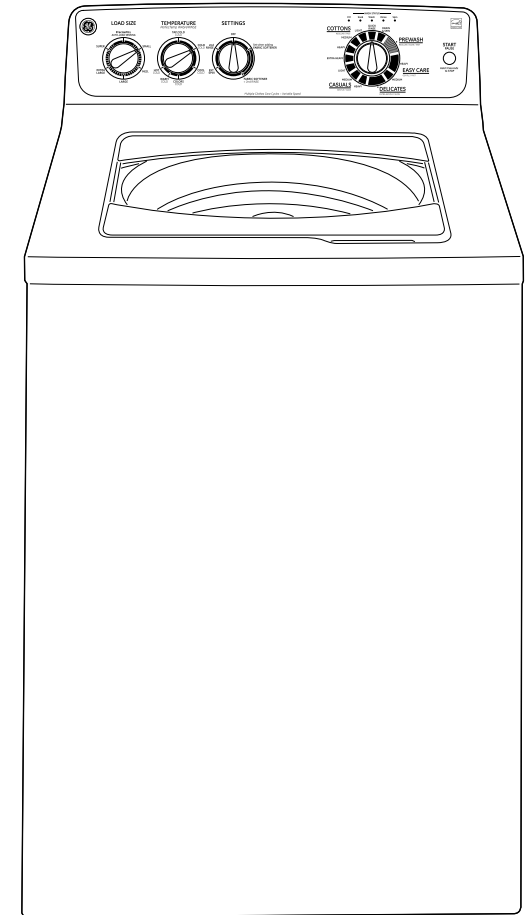


# GTWN4450M

## GE® 3.6 DOE cu. ft. stainless steel capacity washer

### Features and Benefits

- ENERGY STAR® Qualified - Meets or exceeds federal guidelines for energy efficiency for year-round energy and money savings
- HydroWave™ wash system - Longer, slower\* travel through water improves cleaning performance and is gentler on your clothes \*Compared to a non-HydroWave washer, WDSR2120
- PreciseFill with 5 water level selections - Washer will automatically measure the load size and add just the right amount of water, or choose from 5 pre-set water levels
- Clear glass lid - Allows you to view clothes during the cleaning process, without opening the lid or stopping the wash cycle
- Rotary electronic controls with cycle status lights - Make it easy to select and monitor wash cycles
- 5 wash/spin speed combinations - Washer alternates speeds for great clothes care
- 3-speed motor - Multiple speed options are designed to handle different types of wash loads
- 6 wash/rinse temperatures - Multiple settings offer a greater degree of control over fabric cleaning and care
- Model GTWN4450MWS - White



Modified Energy Factor (MEF)	2.07
Water Factor (WF)	6.0

