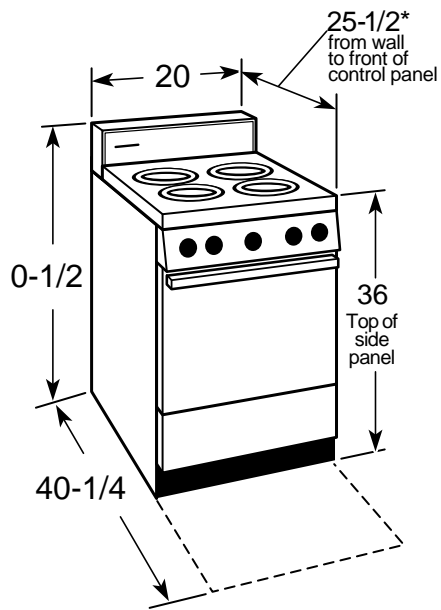


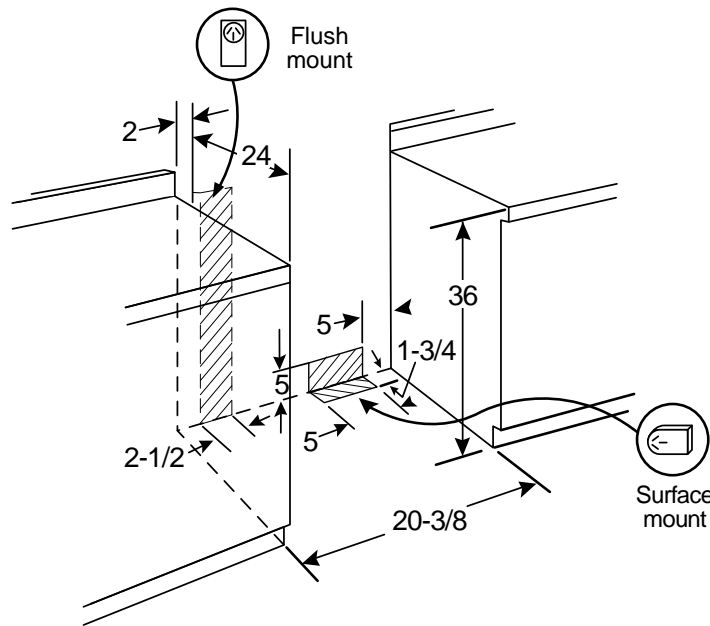
HOTPOINT

RA520W—20" Free-Standing Electric Range

Dimensions (in inches)



*Depth including handle 25-9/16".
Depth to front of control knobs 26-1/8"



KW Rating	
240V	8.2
208V	6.2

Note: 20" Ranges conform to U.L. requirements for 0" spacing from range to adjacent walls below countertop. To reduce possibility of scorching of side wall adjacent to the heating elements, it is recommended a minimum of 2-1/2" spacing from adjacent side walls be allowed for possible extended high-heat, no-load heating element operation.

Receptacle Locations: So that range can be installed flush against rear wall, receptacle should be located within either shaded areas. Range requires pigtail.

Installation Information: Before installing, consult installation instructions packed with product for current dimensional data.

For answers to your Monogram®, GE Profile™, GE, Hotpoint and RCA appliance questions, call GE Answer Center® service, 800.626.2000.



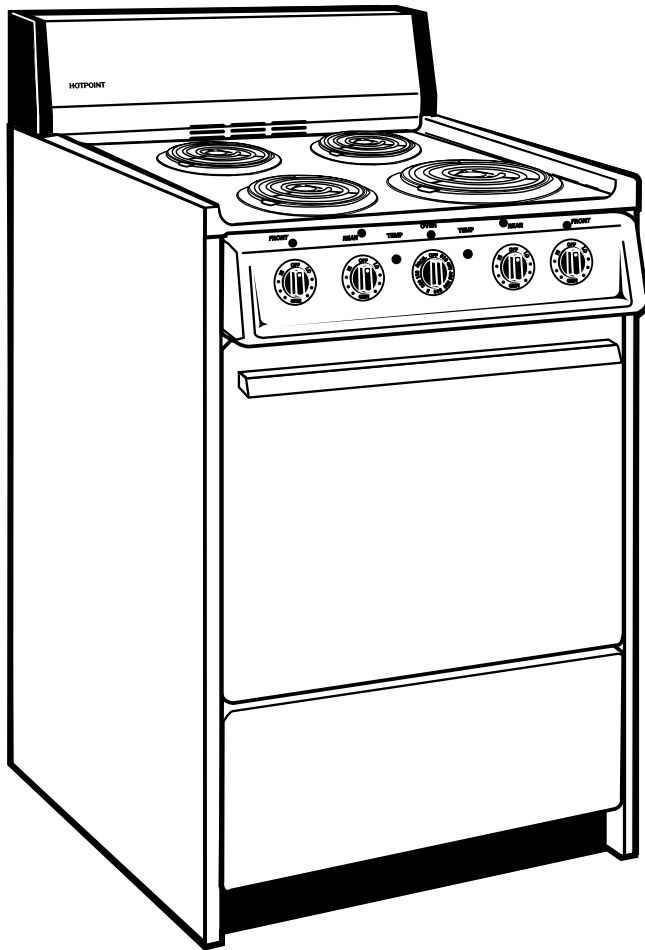
All GE ranges are equipped with an Anti-Tip device. The installation of this device is an important, required step in the installation of the range.



Listed by
Underwriters
Laboratories

HOTPOINT

RA520W—20" Free-Standing Electric Range



Features and Benefits

- Available In White and Almond
- Recessed Lift-Up Cooktop With Porcelain-Enameled Subtop
- One 8" and Three 6" Plug-In Heating Elements
- Removable Chrome Drip Bowls
- Two Heating Element "On" Indicator Lights
- Standard Clean Oven
- Push-To-Turn Controls
- Broiler Pan With Grid
- 2 Oven Shelves
- Solid Color-Matched Porcelain-Enameled Oven Door