

HOTPOINT®

In Silver Metallic





Hotpoint in silver metallic. Today's alternative to stainless.

Offer a striking contemporary look

- Unique silver metallic finish complements any kitchen décor, countertop and cabinetry regardless of their color or finish
- Conveys a striking, modern and stylish look
- Full-line of appliances offer a distinct design advantage

Take advantage of this durable design option

- Silver metallic finish resists fingerprints and is easy to wipe clean
- Low maintenance costs
- Easy to order entire kitchen package or stand alone models
- Refrigerators hold magnets for everyday convenience

Differentiate your properties with a stainless steel appearance

- Stainless steel is a growing trend and GE is leading the way
- Increases perceived value of your property
- Makes a positive first impression with your customer
- Coordinates with other appliance colors
- Exclusive color offering

Take advantage of this unique, versatile and attention-getting design option—choose Hotpoint® in silver metallic.



Hotpoint in Silver Metallic Refrigerators



Upfront electronic dial temperature controls

Convenient upfront electronic dial temperature controls are easy to set and see.



Sealed pans

Provide the perfect storage environment for fresh foods.



Side-by-Side Refrigerator

HSM25GFRSA

- Silver metallic exterior
- 25.0 cubic foot capacity
- Upfront electronic dial temperature controls
- Tall LightTouch! dispenser
- Adjustable glass shelves
- Sealed vegetable/fruit crisper
- Sealed deli pan

Top-Freezer Refrigerators

HTM18IBPSA

- Silver metallic exterior
- 17.9 cubic foot capacity
- Illuminated upfront slimline temperature controls
- Adjustable glass shelves
- Clear vegetable/fruit crispers
- Gallon door storage
- Rounded doors

HTM16BBRSA

- Silver metallic exterior
- 15.8 cubic foot capacity
- Upfront temperature controls
- Adjustable wire shelves
- Vegetable/fruit crispers
- Tall bottle door storage
- NeverClean™ condenser



HTM18IBPSA



HTM16BBRSA

See written warranty for complete details.
Not all features available on all models.
For additional features and specifications, refer to page 8.

Hotpoint in Silver Metallic 30" Electric Ranges



5.0 cu. ft. capacity

Hotpoint's smooth top and coil ranges have an oven that's big enough to handle just about any cooking possibility.



One-piece upswept cooktop

No cracks or crevices to trap spills! The porcelain enamel-on-steel surface wipes clean easily.



Big view window

An extra-large window makes monitoring the progress of food easy.



RB790SHSA

- Silver metallic exterior
- Self-clean oven
- Ceramic glass cooktop
- Ribbon heating elements
- Super-large oven capacity
- Electronic oven controls
- Big view window



RB540SHSA

- Silver metallic exterior
- Standard clean oven
- Super-large oven capacity
- Two 8" and two 6" plug-in Calrod® heating elements
- Electronic clock and timer
- Big view window
- Porcelain upswept cooktop
- Black drip bowls

See written warranty for complete details.
Not all features available on all models.
For additional features and specifications, refer to page 9.

Hotpoint in Silver Metallic 30" Gas Ranges



Sealed gas burners

Special burner design helps contain spills and boil-over liquids from dripping beneath cooktop for easy cleanup.



Capacity Plus™ gas range

Extra-large capacity with a sixth embossed rack position increases cooking flexibility.



RGB790SEHSA

- Silver metallic exterior
- Self-clean oven
- Extra-large oven capacity
- Sealed cooktop burners
- Performance Plus burner
- Simmer burner
- All purpose burners

RGB540SEHSA

- Silver metallic exterior
- Standard clean oven
- Extra-large oven capacity
- Sealed cooktop burners
- Performance Plus burner
- Simmer burner
- All purpose burners

Hotpoint in Silver Metallic Hood

RN328HSA

- Silver metallic exterior
- Non-vented
- Variable two-speed fan control
- Cooktop light
- Removable grease filter



See written warranty for complete details.
Not all features available on all models.
For additional features and specifications, refer to pages 8-9.

Hotpoint in Silver Metallic Microwave Ovens



Convenience cooking controls
Allow cooking and reheating at the touch of a button.

RVM1625SJ

- Silver metallic exterior
- 1.6 cu. ft. capacity—1000 watts*
- Turntable
- Convenience cooking controls
- Auto and Time Defrost
- Time Cook I & II
- Full-view cooktop lighting



Auto defrost
Automatically sets defrosting time and power level for fast defrosting.

REM25SJ

- Silver metallic exterior
- 1.0 cu. ft. capacity—800 watts*
- Convenience cooking controls
- Auto and Time Defrost
- Optional hanging kit included
- Child lock out
- Add 30 seconds

*IEC-705 test procedure

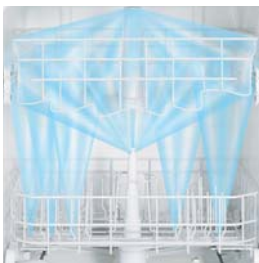
Over-the-Range Microwave Oven



Countertop Microwave Oven



Hotpoint in Silver Metallic Dishwasher



Power Wash II system
Provides three-level wash action with powerful water jets to effectively remove food soils.

HDA3740GSA

- Silver metallic exterior
- Trimless door design
- Power Wash II system
- Hot PreWash option
- QuietDesign™ sound package
- TouchTap™ controls
- 1-5-hour delay start
- Super upper rack
- Deluxe lower rack



See written warranty for complete details.
Not all features available on all models.
For additional features and specifications, refer to pages 10-11.

Hotpoint in Silver Metallic Specifications

Side-by-Side Refrigerator	HSM25GFRSA
Capacity	
Total (cu. ft.)	25.0
Fresh food (cu. ft.)	15.4
Freezer (cu. ft.)	9.56
Shelf area (sq. ft.)	22.4
Fresh Food Features	
Upfront electronic temperature controls	●
Electronic sensors	●
Hotpoint® Water Filter	●
LightTouch! dispenser Light	Crushed ice, Cubes, Water
Cabinet shelves (adjustable)	3 Glass 3
Vegetable/fruit crisper	2 Clear 4 (2 adj. w/gallon storage)
Door shelves	
Dairy compartment	Opaque
Quiet Package	Deluxe
NeverClean™ condenser	●
Freezer Features	
FrostGuard™ technology	●
Factory-installed icemaker & bin	●
Wire cabinet shelves	3 (2 adj.)
Storage bin	●
Door shelves	5 Fixed
Interior light	●
Appearance	
Color(s) available	Silver Metallic
Deluxe door handles	Black
Textured steel door and case	●
Adjustable rollers	Front
Weights & Dimensions	
Height to top of hinge (in.) A	69-3/4
Height to top of case (in.) B	68-3/4
Case depth without door (in.) C	28
Case depth less door handle (in.) D	31-1/4
Case depth with door handle (in.) E	33-9/16
Depth with fresh food door open 90° (in.) F	49-3/8
Width (in.) G	35-3/4
Width w/door open 90° w/door handle (in.) H	38-3/16
Air clearances Each side (in.)	1/8
Top (in.)	1
Back (in.)	1
Approx. shipping weight (lbs.)	344

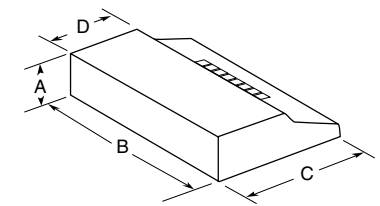
Add 9/16" for water hook-up. Hook-up fits in 5/8" back air clearance when calculating installation depth.
If installed against a wall, allow clearance of 12-1/8" on 25 cu. ft. models on freezer side to remove bin.
To remove fresh food pans, remove door bins.
Clearances required to remove fresh food full-size pan without disassembling: 15" on 25 cu. ft.
Allow additional space for any necessary leveling adjustments.
ALL MODELS AVAILABLE IN U.S. AND CANADA.

Top-Freezer Refrigerators	HTM18IBPSA	HTM16BBRSA
Capacity		
Total (cu. ft.)	17.9	15.6
Fresh food (cu. ft.)	12.89	11.69
Freezer (cu. ft.)	5.03	3.86
Shelf area (sq. ft.)	21.8	16.4/17.2
Features		
Upfront temperature controls	Illuminated	●
Cabinet shelves	3 Glass	2 Wire
(adjustable)	1 Full-Width, 2 Split	2 Full-Width
Vegetable/fruit crisper(s)	2 Clear	2 Opaque
Snack pan	●	
Fixed door bins	2 full-width gallon storage	
Fixed door shelves	1 split with gallon storage	2 tall bottle storage
Dairy compartment	●	●
Interior light system	Dual	Single
Quiet Package—Quiet Design	Deluxe	Deluxe
NeverClean™ condenser	●	●
Freezer Features		
Factory-installed icemaker	Opt. (IM4A)	Opt. (IM4A)
Ice 'N Easy trays	2	2
Ice storage bin	Ice Bucket	Ice Bucket
Ice shelf		●
Spillproof freezer floor	●	
Wire freezer compartment shelves	Step	
Fixed door shelves	2	2
Appearance		
Color(s) available	Silver Metallic	Silver Metallic
Door handle(s)	Black	Black
Customer installed handles		●
Exterior design	Rounded Doors	Square Doors
Reversible doors	●	●
Adjustable rollers	Front	Front
Weights & Dimensions		
Height to top of hinge (in.) A	66-5/8	64-3/4
Height to top of case (in.) B	66-1/8	64-1/4
Height to mid-freezer (in.)	53-15/16	54-3/8
Case depth without door (in.) C	27-1/2	25-7/8
Case depth less door handle (in.) D	30-1/4	29-1/8
Case depth with door handle (in.) E	32-1/8	31
Depth w/fresh food door open 90° (in.) F	58-1/8	54-7/8
Width (in.) G	29-1/2	28
Width w/door open 90° w/door handle (in.) H	32	30-1/2
Air clearances Each side (in.)	1/8	3/4
Top (in.)	1	1
Back (in.)	1	1
Approx. shipping weight (lbs.)	206 / 201	175 / 170

ALL MODELS AVAILABLE IN U.S. AND CANADA.

Hood	Width	Standard
	30"	RN328HSA
Features		
Two-speed fan control		●
Removable grease filters		Disposable 1-Pc. Filter†
Filter size (sq. in.)		90
Cooktop light(s)*		1
Non-vented		●
Appearance		
Color appearance		Silver Metallic
Weights & Dimensions		
Approx. shipping weight (lbs.)		19
Power/Ratings		
Current rating amps @ 120V		2.5

*Light bulbs not furnished.
†WB02X9381 replacement grease filter and WB02X10700 replacement charcoal filter are available for additional cost.
Call toll-free 800.626.2002 (Models RN328HSA).



Dimensions (in inches)

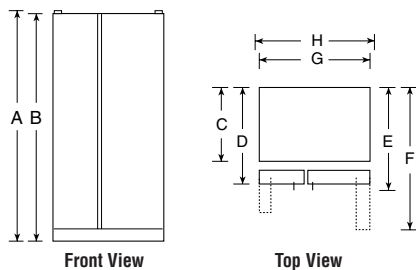
Model	A	B	C	D
RN328HSA	5-1/2	29-7/8	17-1/2	12

JXHC1 Cord Kit

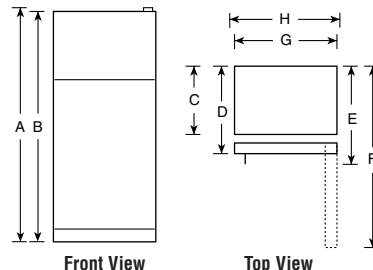
Allows a receptacle in the cabinet over the range to accommodate either an over-the-range microwave oven or a standard hood.

Note: Typical overhead cabinets are 12" deep. For cabinets of greater depth, place spacer of non-combustible material behind hood.

Side-By-Side Refrigerators



Top-Freezer No-Frost Refrigerator



Note: All Top-Freezer No-Frost Right-Hand Refrigerator Doors:
As you face the front of the refrigerator, the handle is on your left and the hinges are on your right.
All Top-Freezer No-Frost Left-Hand Refrigerator Doors:
As you face the front of the refrigerator, the handle is on your right and the hinges are on your left.



Listed by
Underwriters
Laboratories, Inc.

Hotpoint in Silver Metallic Specifications

30" electric ranges	RB790SHSA	RB540SHSA
Features		
Self-clean oven	●	
Oven capacity	5.0	5.0
Cleaning time	Variable	
Standard-clean oven		●
Oven shelves	2	2
Porcelain-enameled upswept cooktop	Radiant	Coil
Patterned cooktop	●	
Lift-up cooktop		●
8-inch heating elements	2 (2000W)	2
6-inch heating elements	2 (1500W)	2
Ribbon heating elements	●	
Plug-in Calrod® heating elements		●
Removable one-piece drip bowls		Black
Electronic oven control	Easy Set III	
Electronic clock and minute timer	●	●
Electronic automatic oven timer	●	
Oven temperature display	●	
Auto oven shut-off	w/override	
Audible preheat signal	●	
Hot surface indicator lights	●	
Heating element "ON" indicator lights	●	●
Oven cycling light	●	
Interior oven light	Control	Switch
Self-clean cool down time display	●	
Auto self-clean	●	
Delay Clean option	●	
Delay start	●	
Broiler pan	●	●
Appearance		
Color appearance	Silver Metallic	Silver Metallic
Oven door with window	Big view	Big view
Door handle	Designer-Style	Designer-Style
Lift-off oven door	Silver Metallic	Silver Metallic
Full-width removable storage drawer	●	●
Weights and Dimensions		
Overall oven interior dimensions (W x H x D in inches)	← 23 -3/4 x 19 x 18-1/2 →	
KW rating @ 240V	10.5	12.6
@ 208V	7.9	9.9
Amp rating @ 240v / 208v	40	40
Approx. shipping weight (lbs.)	166	158

30" free-standing electric range installation information (in inches)

*Dimensions from wall to front of closed oven door handle: 28-1/2" on models RB790/540; 28-3/8"

†The range may be placed with a 0" clearance (flush) at the back wall and side walls if the range side trims extend beyond the cabinet fronts at least 1/4". Self-Clean models only.

Note: 30" Electric Ranges conform to U.L. requirements for 0" spacing from walls below countertops. Allow 1-1/2" spacing from the side of the range to adjacent vertical walls above the cooktop surface.

Installation information: Before installing, consult installation instructions packed with product for current dimensional data.

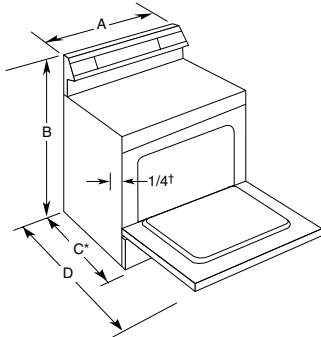
FULL ONE-YEAR WARRANTY One year from date of original purchase, we will provide free of charge, parts and service labor in your home to repair or replace any part of the appliance that fails because of a manufacturing defect. Complete details from your dealer.

30" CAPACITY PLUS™ Gas Ranges

Features	RGB790SEHSA	RGB540SEHSA
Extra-large oven	Self-Clean	Standard-Clean
Cooktop burners	Sealed	Sealed
Performance Plus burner (Nat.)	(1) 12,000/1,000 BTU	(1) 12,000/1,000 BTU
Simmer 600 burner (Nat.)	(1) 5,000/600 BTU	(1) 5,000/600 BTU
All purpose sealed burners (Nat.)	(2) 9,500/850 BTU	(2) 9,500/850 BTU
Oven controls	EasySet IV	Electronic Clock/Timer
Automatic oven timer	Electronic	
Porcelain-enameled cooktop	Upswept	Upswept
Valves (degree of turn)	270°	270°
Removable drip pans	Black Porc.-Enam.	Opt. Access.
Removable square grates	Black Heavy-steel	Black
Appearance		
Color appearance	Silver Metallic	Silver Metallic
Frameless oven door	Silver Metallic	Silver Metallic
Oven door with window	Big view	Big view
Handle style	Designer-style	Designer-style
Weights and Dimensions		
Overall oven interior dimensions (WxHxD in inches)	← 24x18.5x19 →	
Approx. shipping weight (lbs.)	210	185
Power/Ratings		
Gas range electrical rating	120V, 60 Hz, 9A	120V, 60 Hz, 5A
Top burners†† (000's BTU)	← (1)-12.0/11.0 (1)-5.0/5.0 (2)-9.5/9.5 →	
NAT/LP		
Oven/broiler burners†† (000's BTU)	16.0/16.0 - Oven 12.5/12.0 - Broil	18.0/16.5
Accessories		
LP conversion kit	●	●

††Factory set for natural gas.

Electric Ranges



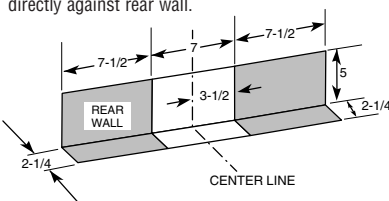
30" electric range dimensions (in inches)

Models	A Width	B Height	C* Depth	D Depth with door open
RB790SHSA	29-7/8	46-1/2	26-3/8	46-3/8
RB540SHSA	29-7/8	46-1/2	26-3/8	46-3/8

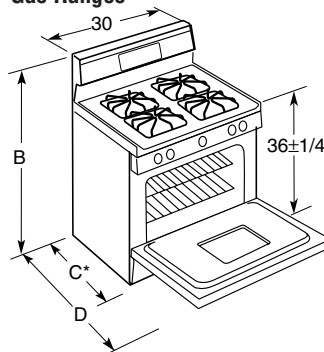
*Dimensions from wall to front of closed oven door.

Receptacle locations

Locally approved flexible service cord or conduit must be used because terminals are not accessible after range installation. See shaded area in drawing for location of electrical outlet box. Recommended outlet locations allow range to be installed directly against rear wall.



Gas Ranges

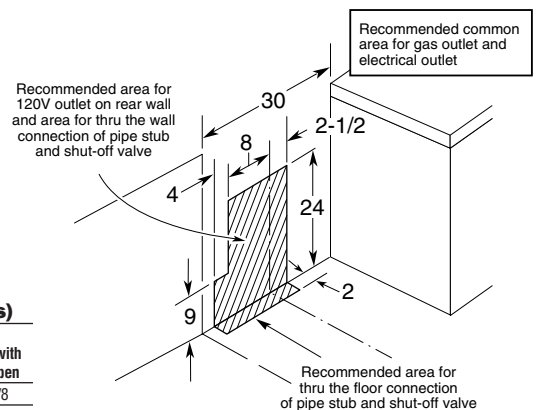


30" gas range dimensions (in inches)

Models	B Height	C* Depth	D Depth with door open
RGB790SEHSA	46-1/2	26-1/4	46-3/8
RGB540SEHSA	46-1/2	26-1/4	46-3/8

*Depth from wall to front of closed oven door.

30" gas range installation information (in inches)



Optional gas range accessory drip pans

(Available at additional cost)
To order these accessory drip pans, call toll-free 800-626-2002.

Installation information: Before installing, consult installation instructions packed with product for current dimensional data.



Listed by Underwriters Laboratories



All Hotpoint ranges are equipped with an Anti-Tip device. The installation of this device is an important, required step in the installation of the range.



Hotpoint in Silver Metallic Specifications

Microwave oven	REM25SJ
Capacity	
Oven cavity (cu. ft.)	1.0
Features	
Watts (IEC-705 Test Procedure)	800
Electronic touch controls	●
Electronic digital display w/clock	●
Convenience controls	●
Beverage	●
Cook	●
Popcorn	●
Reheat	●
Snacks	●
Express Cook	●
Instant On controls	●
Time cook I & II	●
Add 30 Seconds	●
Auto/Time Defrost	●
Power levels	10
Turntable On/Off	●
Kitchen timer	●
Cooking complete reminder	●
Delay Start/Reminder	●
Child lockout	●
Appearance	
Color appearance	Silver Metallic
Door color	Silver Metallic
Case color	Black
Weights & Dimensions	
Approx. shipping weight. (lbs.)	40
Cavity	16-1/2 x 8-1/16 x 12-15/32
WxHxD (in inches) Exterior**	23-25/32 x 11-3/16 x 12-9/32
Power/Ratings	
2450 Frequency (MHz)	●
Electrical input	Watts 1300
@ 120V	Amperage 11.5
Accessory	
Cooking guide label	●
Hanging kit (Pub. No. 4-A019)	Included
Right-angle plug	●
Warranty	
Full one-year warranty*	In-Home
Limited nine-year Magnetron warranty*(10 years total)	●

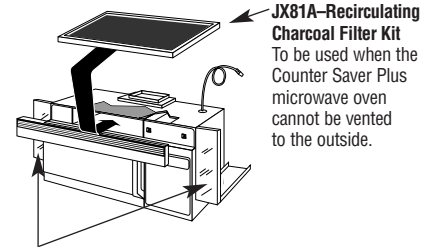
*See written warranty for details.

**Exterior dimensions: height includes feet, depth does not include handle.

Counter Saver Plus™ microwave oven	RVM1625SJ
Capacity	
Oven cavity (cu. ft.)	1.6
Features	
Watts (IEC-705 Test Procedure)	1000
Power levels	10
Electronic touch controls	●
Interactive display system	●
Electronic scrolling digital display	●
Clock and AM/PM Pad	●
Variable scroll speed	●
Concurrent programming	●
Display On/Off	●
Turntable	●
Time Cook	I & II
Auto/Time Defrost	●
Popcorn pad	●
Reheat pad	●
Express cook pads (1-6 minutes)	●
Instant On controls	●
Cooking complete reminder	●
Delay Start/Reminder	●/●
Timer On/Off	●
Child lockout	●
Full-View cooktop lighting	●
High-capacity exhaust fan	300-CFM
Easy-mount installation	●
Appearance	
Door color	Silver Metallic
Case color	Black
Weights & Dimensions	
Overall oven interior dimension	20-1/4 x 9-1/4 x 14-13/32
WxHxD (in inches)	
Approx. shipping weight (lbs.)	67
Power/Ratings	
2450 Frequency (MHz)	●
Electrical input	Watts 1480
@120V	Amps 15
Accessories	
Recirculating charcoal filter kit (optional)	JX81A
Filler panel kit (optional)	JX48BL
Warranty	
Full one-year in-home warranty*	●
Limited four-year magnetron warranty*(5 years total)	●

*See written warranty for details.

Optional accessories (Available at additional cost)



JX81A-Recirculating Charcoal Filter Kit
To be used when the Counter Saver Plus microwave oven cannot be vented to the outside.

JX48BL-Filler Panel Kit
When replacing a 36" range hood, this kit fills in the additional width to provide a custom, built-in appearance. For installation between cabinets only; not for end-of-cabinet installation. Each kit contains two 3"-wide filler panels.

Ventilation options

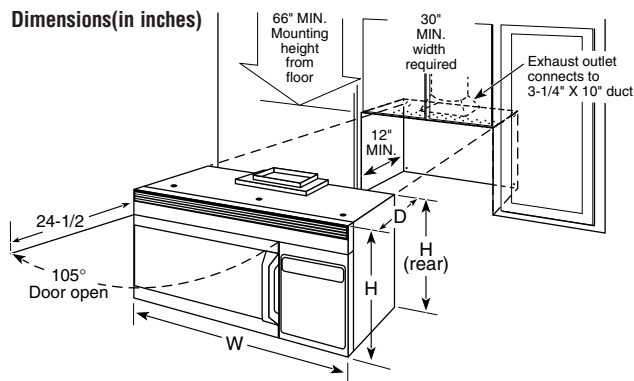
The Counter Saver Plus microwave oven is designed for adaptation to the following three types of ventilation:

Outside Exhaust (Vertical)

Outside Exhaust (Horizontal)

Recirculating (Non-vented ductless—see Filter Kit Drawing)

Note: Before installing, consult installation instructions for current dimensional data on these three types of ventilation.



Overall Exterior Dimensions (in inches)				
Model	W	D	H	H (Rear)
RVM1625	29-7/8	15-1/4	16	16-13/32

Important: When installing the Counter Saver Plus microwave oven over a range, allow minimum of 2" from bottom of Counter Saver Plus microwave oven to top of range backguard to allow for removal of light covers.

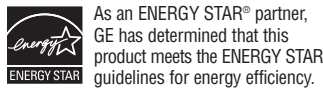
Installation instructions: Before installing, consult installation instructions packed with product for current dimensional data.



Listed by Underwriters Laboratories, Inc.

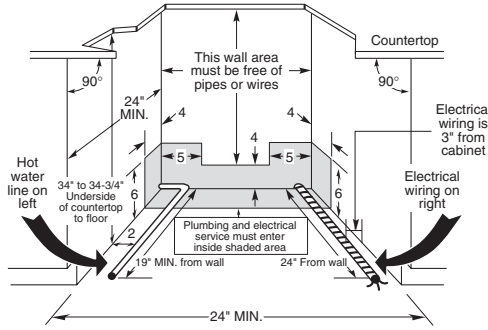
Hotpoint in Silver Metallic Specifications

Built-in dishwasher	ENERGY STAR® HDA3740GSA
Features	
Power Wash II system	●
Self-cleaning filter	●
Food disposer	●
Wash levels	3
Cycles/Options	6/31
Pots & Pans cycle	●
Heavy Wash cycle	●
Normal Wash cycle	●
Water Saver cycle	Dial
Plate Warmer cycle	Dial
Rinse Only cycle	Dial
Delay Start	1-5-hour
Heated Dry	●
Hi-Temp Wash	●
Hot PreWash option	●
Control Type	TouchTap™ w/Dial
Touchpads	7
Cycle progress indicator	1 "cycle on"
Rack System	Upper Super Lower Deluxe
Silverware basket	Deluxe
Hard countertop installation	GPF65
Rinse aid dispenser	●
Center throw door latch	●
Economical/Quiet	
Sound insulation package	QuietDesign™
QuietPower™ motor	●
Appearance	
Colors available	Silver Metallic
Color panels	Door Trimless Access Trimless
Weights & Dimensions	
Height w/legs retracted (in.)	34
Overall width (in.)	24
Overall depth (in.)	25-3/4
Approx. shipping wt. (lbs.)	80
Accessories	
Requires kit for 1/4" panel capability (w/trim)	GPF425B
Requires kit for 3/4" panel capability (trimless)	GPF475



Before purchasing an appliance, read important information about its estimated annual energy consumption or energy efficiency rating that is available from your retailer or GEAppliances.com

Dishwasher rough-in information (in inches)



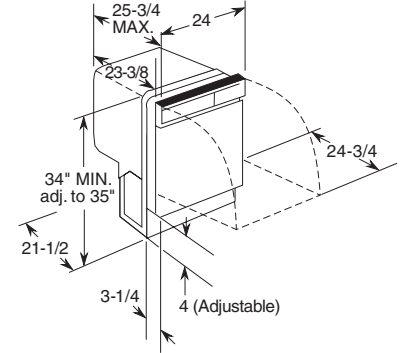
Specifications and electrical rating

120 Volts AC, 60 Hertz, 6.2 Amps total connected load 500 Watt Calrod® heater. For use on adequately wired 120 volt, 15 amp circuit having two-wire service with a separate ground wire. This appliance must be grounded for safe operation.

Dishwasher must not be installed more than 10 feet from sink for proper drainage. All plumbing and electrical work must be in accordance with local codes. Dishwasher includes drain hose and leveling legs.

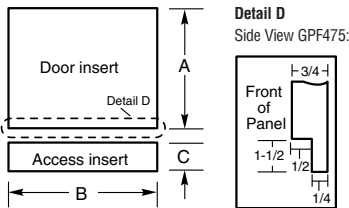
Note: Before installing, consult installation instructions packed with product for current dimensional data.

Dishwasher dimensions (in inches)



Wood insert cutout dimensions (in inches)

Kits: GPF425 and GPF475



Kit	A	B	C	D - Panel Thickness
GPF425	19-3/4	23-9/16	3-11/16	1/4
GPF475	19-7/8	23-5/8*	3-11/16 to 4-1/4**	3/4

*Bottom of panel must be notched 1-1/2" x 1/2" to clear access panel. (See illustration above)

**Adjustment required to match adjacent cabinet fronts due to leveling adjustment, 4" nominal.

Dishwasher accessories

Side panel for all models:

Contains one panel and adjustable toekick for end cabinet installation of built-in model. Does not attach to dishwasher. Specify color: GPS5WW—White GPS5CC—Bisque

Optional dishwasher accessories:

GPF65—Brackets for under non-wood countertop installation

Wood panel capability:

Model: HDA3740GSA

GPF425B—1/4" panel trim (door and access)
GPF475—3/4" trimless panel kit (door and access [GPF100—heavy-duty spring kit included])



Listed by Underwriters Laboratories, Inc.

Customer Services

Industry leading support—



Information Service

800.626.2000.

Questions? Call any time.

Before or after you buy any Hotpoint® appliance, ask us about the features, product comparisons, pricing and where to find it. Call us any time. We never close.

QuickSpecs

800.432.3729

Project planning made simple.

Product features and dimensions are faxed to you FREE, wherever and whenever you need them.

Genuine Parts

800.626.2002.

Enhance, upgrade or fix it. Check out our accessories!

Accessories can make great Hotpoint products even better. Replacement parts for Hotpoint and most other brands, too. Fast delivery, convenient, direct.

Appliance Service

800.432.2737 (800.GE.CARES)

Same day or next day service.

If you ever need product service, we'll come where and when you want—at your convenience. We're the largest manufacturer-owned service organization in the appliance industry. Same or next day service in most cases.



PARTNER OF THE YEAR 2004

2004 ENERGY STAR® Partner of the Year

This prestigious honor, given by the US Department of Energy and the Environmental Protection Agency, reflects an ongoing commitment to developing energy-saving products for the home, including Hotpoint ENERGY STAR®-qualified appliances. By choosing ENERGY STAR-qualified appliances, lighting and other products, the typical household can save up to 30% on their energy bills each year.

Hotpoint has a policy of continuous improvement on its products and reserves the right to change materials and specifications without notice.

HOTPOINT®

Appliance Park, Louisville, Kentucky 40225