

# HOTPOINT®

Fall 2004 Appliances





## Hotpoint in silver metallic. Today's alternative to stainless.

### *Offer a striking contemporary look*

- Unique silver metallic finish complements any kitchen décor, countertop and cabinetry regardless of their color or finish
- Conveys a striking, modern and stylish look
- Full line of appliances offer a distinct design advantage

### *Take advantage of this durable design option*

- Silver metallic finish resists fingerprints and is easy to wipe clean
- Low maintenance
- Easy to order entire kitchen package or stand alone models
- Refrigerators hold magnets for everyday convenience

# **HOTPOINT®**

In Silver Metallic

## Refrigeration

Side-By-Sides .....	4-5
Top-Freezers .....	6-14
GE Manual Defrost .....	14
GE Spacemaker™ Models .....	15
GE Upright Freezers .....	16
GE Chest Freezers .....	17
Specifications .....	18-21

## Free-Standing Ranges

Smooth Top .....	22
Coil Top .....	23
Electric .....	24
30" Ranges .....	24-29
Specialty Application Ranges .....	29
Specifications .....	30-31
Gas .....	32
30" Ranges .....	32-35
Specialty Application Ranges .....	35
Specifications .....	36-37

<b>GE Hoods</b> .....	38
Specifications .....	39

## Microwave Ovens

GE Over-The-Range .....	40
Counter Saver Plus™ and Countertop .....	41-42
GE Spacemaker Over-The-Range .....	43-44
GE Countertop .....	45-48
GE Trim and Hanging Kits .....	49
Specifications .....	50-53

<b>Dishwashers</b> .....	54-55
GE Spacemaker® Undersink .....	56
GE Built-In 18" .....	56
GE Convertible .....	56
Specifications .....	58-60

<b>GE Disposers and GE Compactors</b> .....	57
Specifications .....	61

## Washers and Dryers

Super and Extra-Large Capacity Washers .....	62
Super and Extra-Large Capacity Dryers .....	63
GE Spacemaker® Washers and Dryers .....	64
GE Unitized Washer and Dryer .....	65
Specifications .....	66-69

## GE Air Conditioning

GE Air Conditioning .....	70-73
GE Built-in Series .....	74-75
GE Heat/Cool and Slide-Aire .....	76
GE Portable Air Conditioner and Dehumidifiers .....	77
Specifications .....	78-82

<b>Warranties</b> .....	83
-------------------------	----

<b>Consumer Services</b> .....	Back cover
--------------------------------	------------



## Side-by-Side Refrigerators

Hotpoint® side-by-side refrigerators combine storage convenience with state-of-the-art technology. Outside, an extra-tall LightTouch! dispenser delivers filtered water and ice at the slightest touch.

**NEW!**



### LightTouch! dispenser

Taller LightTouch! dispenser fills sport bottles, pitchers, even blenders! Delivers chilled, filtered water and ice.



### Adjustable gallon door bins

Door bins hold gallon containers and six-packs in the fresh food compartment.



### FrostGuard™ technology

Defrosts only as needed, reducing freezer burn.



### Upfront electronic dial temperature controls

Convenient upfront electronic dial temperature controls are easy to set and see.



### Sealed pans

Provide the perfect storage environment for fresh foods.



HSM25GFR

### HSM25GFR‡

- Silver metallic exterior
- 25.0 cubic foot capacity
- Upfront electronic dial temperature controls
- Tall LightTouch! dispenser
- Three adjustable glass shelves
- Clear vegetable/fruit crisper
- Four door bins (2 adjustable with gallon storage)
- GE SmartWater™ filtration
- FrostGuard™ technology
- Deluxe quiet design
- NeverClean™ condenser

‡Available January 2005

Not all features available on all models.  
For detailed specifications, installation information and color availability, refer to page 18.  
For warranty information, refer to page 83.



**HSS25GFP**

**HSS25GFP**

- Similar features as HSM25GFR except available in White on white.

# Top-Freezer Refrigerators

Hotpoint® top-freezer refrigerators are designed for total convenience and flexibility. Adjustable shelves provide easy access to contents, while upfront controls allow easy adjustment of temperatures.



**Upfront illuminated temperature controls**  
Convenient upfront temperature controls are easy to set and see.



**Fixed gallon door storage**  
Provides storage for gallon containers, six-packs and other large fresh food items.



**Clear crispers**  
Provide easy storage for vegetables and fruits.



**Snack pan**  
Excellent for rewrapped meats, cheese, hors d'oeuvres, pudding and other snacks.



**Dairy compartment**  
Clear, lift-open cover provides easy access to butter, cheese and other dairy products.



**Spillproof freezer floor**  
Seamless spillproof freezer floor design makes freezer cleanup simple.



**HTS22GBP**

**HTS22GBP**

- 21.8 cubic foot capacity
- Upfront illuminated fresh food temperature controls
- Two full-width, glass shelves
- Two full-width door bins (1 with gallon storage)
- One split door shelf with gallon storage
- Two clear vegetable/fruit crispers
- Clear snack pan
- Equipped for optional automatic icemaker
- Deluxe quiet design

Not all features available on all models. For detailed specifications, installation information and color availability, refer to page 18. For warranty information, refer to page 83.

**NEW!**



**HTM18IBP**

**HTM18IBP‡**

- Silver metallic exterior
- 17.9 cubic foot capacity
- Illuminated upfront slimline temperature controls
- One full-width, two split adjustable glass shelves
- Two clear vegetable/fruit crispers
- Two full-width gallon door bins, one split gallon door shelf
- Spillproof freezer floor

‡Available January 2005

Not all features available on all models.  
For detailed specifications, installation information and color availability, refer to page 18.  
For warranty information, refer to page 83.



# Top-Freezer Refrigerators

## HTS18GCR

- 17.9 cubic foot capacity
- Upfront fresh food temperature controls
- Two full-width adjustable glass shelves
- Two full-width gallon door shelves
- Two clear vegetable/fruit crispers
- Clear snack pan
- Factory-installed icemaker
- Deluxe quiet design
- NeverClean™ condenser

## HTS18GBR

- Similar features and appearance as HTS18GCR without factory-installed icemaker.



HTS18GCR



HTS18GBR

Not all features available on all models.  
For detailed specifications, installation information and color availability, refer to page 18.  
For warranty information, refer to page 83.



## Top-Freezer Refrigerators

### HTS18BCP

- 17.9 cubic foot capacity
- Upfront illuminated temperature controls
- Two full-width, adjustable wire shelves
- Three fixed door shelves (2 with gallon storage)
- Two classic white vegetable/fruit crispers
- Equipped with factory-installed icemaker
- Spillproof freezer floor
- Deluxe quiet design
- NeverClean condenser

### HTS18BBP (not shown)

- Similar features and appearance as HTS18BCP without factory-installed icemaker.

### HTR18ABR

- 17.9 cubic foot capacity
- Upfront temperature controls
- Three full-width, adjustable wire cabinet shelves
- Two fixed door shelves with tall bottle storage
- Recessed door handles
- Equipped for optional automatic icemaker
- Deluxe quiet design
- NeverClean condenser



HTS18BCP



HTR18ABR

Not all features available on all models.  
For detailed specifications, installation information and color availability, refer to page 18.  
For warranty information, refer to page 83.

# Top-Freezer Refrigerators

## HTS17BCR

- 17.2 cubic foot capacity
- Upfront temperature controls
- Two full-width, adjustable wire cabinet shelves
- Two fixed door shelves with tall bottle storage
- Two classic white vegetable/ fruit crispers
- Equipped with factory-installed icemaker
- Deluxe quiet design
- NeverClean™ condenser

## HTS17BBR (not shown)

- Similar features and appearance as HTS17BCR without factory-installed icemaker.

## HTR17BBR

- 17.2 cubic foot capacity
- Upfront temperature controls
- Two full-width, adjustable wire shelves
- Two fixed door shelves with tall bottle door storage
- Two classic white, vegetable/ fruit crispers
- Recessed door handles
- Equipped for optional automatic icemaker
- Deluxe quiet design
- NeverClean condenser



HTS17BCR



HTR17BBR

Not all features available on all models.  
For detailed specifications, installation information and color availability, refer to page 19.  
For warranty information, refer to page 83.



### Gallon door storage

Accommodates gallon containers for quick access to most-used items.

### HTS16HBR

- 15.8 cubic foot capacity
- Upfront temperature controls
- One full-width, two split adjustable glass shelves
- Two fixed door shelves with gallon storage
- Two clear vegetable/fruit crispers
- Clear snack pan
- Equipped for optional automatic icemaker
- Deluxe quiet design
- NeverClean condenser

### HTS16GBR

- 15.8 cubic foot capacity
- Upfront temperature controls
- Two full-width glass shelves
- Two fixed door shelves with gallon storage
- Two clear vegetable/fruit crispers
- Clear snack pan
- Equipped for optional automatic icemaker
- Deluxe quiet design
- NeverClean condenser



HTS16HBR



HTS16GBR

Not all features available on all models.  
For detailed specifications, installation information and color availability, refer to page 19.  
For warranty information, refer to page 83.

# Top-Freezer Refrigerators



## Recessed handles

Color-matched recessed door handles reflect the latest in European design and appearance.

## HTM16BBR‡

- Silver metallic exterior
- 15.8 cubic foot capacity
- Upfront temperature controls
- Two full-width adjustable wire shelves
- Two fixed door shelves with tall bottle storage
- Two classic white vegetable/fruit crispers
- Equipped for optional automatic icemaker
- Deluxe quiet design
- NeverClean™ condenser

‡Available January 2005

## HTS16BBR (not shown)

- 15.8 cubic foot capacity
- Upfront temperature controls
- Two full-width, adjustable wire shelves
- Two fixed door shelves with tall bottle storage
- Two classic white vegetable/ fruit crispers
- Equipped for optional automatic icemaker
- Deluxe quiet design
- NeverClean condenser

## HTS16BCR (not shown)

- Similar features and appearance as HTS16BBR with factory-installed icemaker.

## HTR16BBR

- Similar features and appearance as HTS16BBR with recessed handles

**NEW!**



HTM16BBR



HTR16BBR

Not all features available on all models.  
For detailed specifications, installation information and color availability, refer to page 19.  
For warranty information, refer to page 83.



### HTS15BCR

- 14.9 cubic foot capacity
- Upfront temperature controls
- Two full-width, adjustable wire shelves
- Two fixed door shelves with tall bottle storage
- Two classic white vegetable/fruit crispers
- Factory-installed icemaker
- Deluxe quiet design
- NeverClean condenser

### HTS15BBR (not shown)

- Similar features and appearance as HTS15BCR without factory-installed icemaker

### HTH15BBR (not shown)

- Similar features and appearance as HTS15BBR except ENERGY STAR® qualified.

### HTR15BBR (not shown)

- Similar features and appearance as HTR16BBR except 14.9 cu. ft. capacity.

### HTR15ABR

- 14.9 cubic foot capacity
- Two full-width, adjustable wire cabinet shelves
- Two fixed door shelves with tall bottle door storage
- One full-width, white vegetable/fruit crisper
- Equipped for optional automatic icemaker
- Deluxe quiet design
- NeverClean condenser



HTS15BCR



HTR15ABR

Not all features available on all models.  
For detailed specifications, installation information and color availability, refer to page 19.  
For warranty information, refer to page 83.

## GE® Top-Freezer Refrigerators

### GTS12BBP

- 11.9 cubic foot capacity
- Two full-width, adjustable wire cabinet shelves
- Two full-width and one half fixed door shelves
- One full-width, white vegetable/fruit crisper
- Equipped for optional automatic icemaker

### GTR11AAP

- 11.4 cubic foot capacity
- Two full-width wire cabinet shelves
- One full-width white vegetable/fruit crisper
- One wire full-width freezer shelf



GTS12BBP



GTR11AAP

## GE Manual Defrost Refrigerator



### GMS10AAR

- 9.7 cubic foot capacity
- Five door shelves (two egg)
- Two adjustable wire cabinet shelves
- Full-width vegetable/fruit crisper
- Tall bottle storage

GMS10AAR

Not all features available on all models.  
For detailed specifications, installation information  
and color availability, refer to pages 19-20.  
For warranty information, refer to page 83.

## **GMR06AAP**

- 6.0 cubic foot capacity
- Two wire cabinet shelves, one adjustable
- One full-width, two half-width door shelves
- Can rack
- Built-in or free-standing capability
- Color-matched visor handle



**GMR06AAP**

## **GMR04AAM**

- 4.4 cubic foot capacity
- Two full-width, one half-width wire cabinet shelves
- Two full-width, one half-width door shelves
- Can rack



**GMR04AAM**

## **GMR02BAN**

- 1.7 cubic foot capacity
- One fixed wire cabinet shelf
- One full-width, one half-width door shelves



**GMR02BAN**

Not all features available on all models.  
For detailed specifications, installation information and color availability, refer to page 20.  
For warranty information, refer to page 83.

# GE® Upright Freezers



Lock provides security.

## FUF20DP

- 20.3 cu. ft. capacity
- Five cabinet shelves, three adjustable
- One slide-out bulk storage basket
- Six door shelves
- Adjustable temperature control
- Built-in lock
- Interior light
- Limited food loss warranty\*

## FUF17DP (not shown)

- 16.7 cu. ft. capacity
- Four cabinet shelves, three adjustable
- One slide-out bulk storage basket
- Five door shelves
- Adjustable temperature control
- Built-in lock
- Interior light
- Limited food loss warranty\*

## FUF14DP (not shown)

- 13.7 cu. ft. capacity
- Three cabinet shelves, two adjustable
- One slide-out bulk storage basket
- Five door shelves
- Adjustable temperature control
- Built-in lock
- Interior light
- Limited food loss warranty\*

## FUM21DR

- 20.6 cu. ft. capacity
- Five cabinet shelves, one adjustable
- One slide-out bulk storage basket
- Six door shelves
- Defrost water drain
- Adjustable temperature control
- Built-in lock
- Interior light
- Limited food loss warranty\*

## FUM17DR (not shown)

- 17.1 cu. ft. capacity
- Four cabinet shelves, one adjustable
- One slide-out bulk storage basket
- Five door shelves
- Defrost water drain
- Adjustable temperature control
- Built-in lock
- Interior light
- Limited food loss warranty\*

## FUM14DR (not shown)

- 14.1 cu. ft. capacity
- Four cabinet shelves, one adjustable
- One slide-out bulk storage basket
- Five door shelves
- Defrost water drain
- Adjustable temperature control
- Built-in lock
- Interior light
- Limited food loss warranty\*

## FUM14SR (not shown)

- 14.1 cu. ft. capacity
- Three cabinet shelves
- Five door shelves
- Defrost water drain
- Adjustable temperature control
- Limited food loss warranty\*

## FUM5SN (not shown)

- 5.0 cu. ft. capacity
- Two cabinet shelves
- Three door shelves
- Adjustable temperature control
- Limited food loss warranty\*



FUF20DP



FUM21DR

\*See written warranty for complete details.

Not all features available on all models.  
For detailed specifications, installation information and color availability, refer to page 21.  
For warranty information, refer to page 83.





Bulk storage baskets lift out and slide from side-to-side for fast, easy loading and unloading.

### FCM25RM

- 25.1 cu. ft. capacity
- Four lift-out and sliding bulk storage baskets
- Adjustable temperature control
- Upfront defrost drain
- Built-in lock
- Interior light
- Limited food loss warranty\*

### FCM20DP (not shown)

- 19.7 cu. ft. capacity
- Three lift-out and sliding bulk storage baskets
- Adjustable temperature control
- Upfront defrost drain
- Built-in lock
- Interior light
- Limited food loss warranty\*

### FCM15DP

- 14.8 cu. ft. capacity
- Two lift-out and sliding bulk storage baskets
- Adjustable temperature control
- Upfront defrost drain
- Built-in lock
- Interior light
- Limited food loss warranty\*

### FCM15SP (not shown)

- 14.8 cu. ft. capacity
- One lift-out and sliding bulk storage basket
- Adjustable temperature control
- Upfront defrost drain
- Limited food loss warranty\*

### FCM9DM

- 8.8 cu. ft. capacity
- Two lift-out and sliding bulk storage baskets
- Adjustable temperature control
- Upfront defrost drain
- Built-in lock
- Interior light
- Limited food loss warranty\*

### FCM7DN (not shown)

- 7.0 cu. ft. capacity
- Power "ON" light
- Two lift-out and sliding bulk storage baskets
- Adjustable temperature control
- Upfront defrost drain
- Built-in lock
- Limited food loss warranty\*

### FCM5DM (not shown)

- 5.0 cu. ft. capacity
- Power "ON" light
- Two lift-out and sliding bulk storage baskets
- Adjustable temperature control
- Upfront defrost drain
- Built-in lock

### FCM5SM (not shown)

- 5.0 cu. ft. capacity
- One lift-out and sliding bulk storage basket
- Adjustable temperature control
- Upfront defrost drain



FCM25RM

FCM15DP

FCM9DM

\*See written warranty for complete details.

Not all features available on all models.  
For detailed specifications, installation information and color availability, refer to page 21.  
For warranty information, refer to page 83.

# Refrigeration Specifications

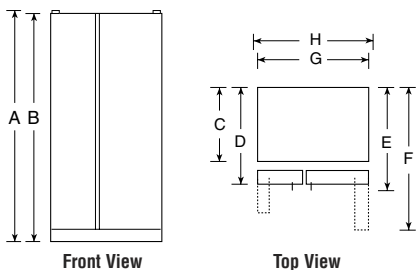
<b>Side-by-Side Refrigerators</b>	<b>HSM25GFR</b>	<b>HSS25GFP</b>
<b>Capacity</b>		
Total (cu. ft.)	25.0	25.0
Fresh food (cu. ft.)	15.44	15.44
Freezer (cu. ft.)	9.56	9.56
Shelf area (sq. ft.)	22.4	22.4
<b>Fresh Food Features</b>		
Upfront electronic dial temperature controls	●	●
Electronic sensors	●	●
GE SmartWater™ Filter	●	●
LightTouch! dispenser	Crushed ice, Cubes, Water	Crushed ice, Cubes, Water
Light	●	●
Cabinet shelves (adjustable)	3 Glass	3 Glass
Vegetable/fruit crisper	2 Clear	2 Clear
Door shelves	4 (2 adj. w/gallon storage)	4 (2 adj. w/gallon storage)
Dairy compartment	Opaque	Opaque
Quiet Package	Deluxe	Deluxe
NeverClean™ condenser	●	●
<b>Freezer Features</b>		
FrostGuard™ technology	●	●
Factory-installed icemaker & bin	●	●
Wire cabinet shelves	3 (2 adj.)	3 (2 adj.)
Storage bin	●	●
Door shelves	5 Fixed	5 Fixed
Interior light	●	●
<b>Appearance</b>		
Color(s) available*	Silver Metallic	WW
Deluxe door handles	Black	Color-Matched short
Textured steel door and case	Case only	●
Adjustable rollers	Front	Front
<b>Weights &amp; Dimensions</b>		
Height to top of hinge (in.) A	69-3/4	69-3/4
Height to top of case (in.) B	68-3/4	68-3/4
Case depth without door (in.) C	28	28
Case depth less door handle (in.) D	31-1/4	31-1/4
Case depth with door handle (in.) E	33-9/16	33-9/16
Depth with fresh food door open 90° (in.) F	49-3/8	49-3/8
Width (in.) G	35-3/4	35-3/4
Width w/door open 90° w/door handle (in.) H	38-3/16	38-3/16
Air clearances Each side (in.)	1/8	1/8
Top (in.)	1	1
Back (in.)	1	1
Approx. shipping weight (lbs.)	344	344

\*Color(s) available: WW = White on white.  
 Add 9/16" for water hook-up. Hook-up fits in 5/8" back air clearance when calculating installation depth.  
 If installed against a wall, allow clearance of 12-1/8" on 25 cu. ft. models on freezer side to remove bin.  
 To remove fresh food pans, remove door bins.  
 Clearances required to remove fresh food full-size pan without disassembling: 15" on 25 cu. ft.  
 Allow additional space for any necessary leveling adjustments.  
**ALL MODELS AVAILABLE IN U.S. AND CANADA.**

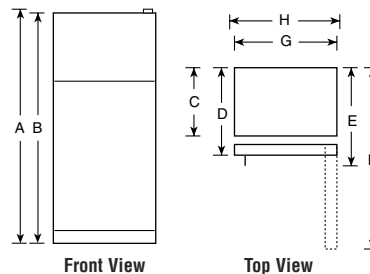
<b>Top-Freezer Refrigerators</b>	<b>HTS22GBP</b>	<b>HTM18IBP</b>	<b>HTS18GCR HTS18GBR</b>	<b>HTS18BCP HTS18BBP</b>	<b>HTR18ABR</b>
<b>Capacity</b>					
Total (cu. ft.)	21.8	17.9	17.9	17.9	17.9
Fresh food (cu. ft.)	15.47	12.89	13.62	12.89	13.62
Freezer (cu. ft.)	6.37	5.03	4.26	5.03	4.26
Shelf area (sq. ft.)	24.6	21.8	20.3	21.2	16.4
<b>Features</b>					
Upfront temperature controls	Illuminated	Illuminated	●	●	●
Cabinet shelves (adjustable)	2 Glass	3 Glass	2 Glass	2 Wire	3 Wire
Vegetable/fruit crisper(s)	2 Full-Width	1 Full-Width, 2 Split	2 Full-Width	2 Full-Width	3 Full-Width
Snack pan	●	●	●	2	
Fixed door bins	2 full-width (1 with gallon storage)	2 full-width gallon storage			
Fixed door shelves	1 split with gallon storage	1 split with gallon storage	2 full-width (1 with gallon storage)	3 (2 with gallon storage)	2 tall bottle storage
Dairy compartment	●	●	●	●	
Interior light system	Dual	Dual	Single	Single	Single
Quiet Package—Quiet Design	Deluxe	Deluxe	Deluxe	Deluxe	Deluxe
NeverClean condenser	●	●	●	●	●
<b>Freezer Features</b>					
Factory-installed icemaker	Opt. (IM4A)	Opt. (IM4A)	● / Opt. (IM4A)	● / Opt. (IM4A)	Opt. (IM4A)
Ice 'N Easy trays	2	2	— / 2	— / 2	1
Ice storage bin		Ice Bucket	Ice Bucket / —	Ice Bucket / —	
Ice shelf					
Spillproof freezer floor	●	●		●	
Wire freezer compartment shelves	1 F/W (2 pos.)	Step	Step	Step	
Fixed door shelves	2	2	2	2	2
<b>Appearance</b>					
Color(s) available*	WW, CC	Silver Metallic	WW	WW, CC	WW
Door handle(s)*	CM	Black	CM	CM	CM Recessed
Customer installed handles	●	●	●	●	●
Exterior design	Rounded Doors	Rounded Doors	Square Doors	Rounded Doors	Square Doors
Reversible doors	●	●	●	●	●
Choose right or left door opening					
Adjustable rollers	Front	Front	Front	Front	Front
<b>Weights &amp; Dimensions</b>					
Height to top of hinge (in.) A	67-1/2	66-5/8	67-3/8	66-5/8	67-3/8
Height to top of case (in.) B	66-7/8	66-1/8	66-7/8	66-1/8	66-7/8
Height to mid-freezer (in.)	54-1/2	53-15/16	57	53-15/16	57
Case depth without door (in.) C	27-5/8	27-1/2	26-3/4	27-1/2	26-3/4
Case depth less door handle (in.) D	31-5/8	30-1/4	30-1/2	30-1/4	30-1/2
Case depth with door handle (in.) E	33-5/8	32-1/8	32-3/8	32-1/8	30-1/2
Depth w/fresh food door open 90° (in.) F	63	58-1/8	56-3/8	58-1/8	56-3/8
Width (in.) G	32-7/8	29-1/2	28	29-1/2	28
Width w/door open 90° with door handle (in.) H	35	32	30-3/4	32	28-7/8
Air clearances Each side (in.)	1/8	1/8	1/8	1/8	3/4
Top (in.)	1	1	1	1	1
Back (in.)	1	1	1	1	1
Approx. shipping weight (lbs.)	255	223	206 / 201	203 / 198	176

\*Color(s) available: WW = White on white, CC = Bisque on bisque, CM = Color-Matched.  
**ALL MODELS AVAILABLE IN U.S. AND CANADA.**

## Side-By-Side Refrigerators



## Top-Freezer No-Frost Refrigerator



# Refrigeration Specifications

HTS17BCR HTS17BBR	HTR17BBR	HTS16HBR	HTS16GBR	HTM16BBR	HTS16BCR HTS16BBR	HTR16BBR	HTS15BCR HTS15BBR HTH15BBR	HTR15BBR	HTR15ABR	GTS12BBP	GTR11AAP
17.2	17.2	15.8	15.8	15.8	15.8	15.8	14.9	14.9	14.9	11.9	11.4
13.05	13.05	11.69	11.69	11.69	11.69	11.69	10.77	10.77	10.77	8.94	8.45
4.11	4.11	4.11	4.11	4.11	4.11	4.11	3.86	3.86	3.86	2.95	2.99
16.7/17.2	17.5	17.5	17.5	17.2	16.4/17.2	17.2	16.4/17.2/17.2	17.2	16.1	12.1	13.4
●	●	●	●	●	●	●	●	●	●	●	●
2 Wire	2 Wire	3 Glass	2 Glass	2 Wire	2 Wire	2 Wire	2 Wire	2 Wire	2 Wire	2 Wire	2 Wire
2 Full-Width	2 Full-Width	1 Full-width, 2 Split	2 Full-Width	2 Full-Width	2 Full-Width	2 Full-Width	2 Full-Width	2 Full-Width	2 Full-Width	2 Full-Width	2 Full-Width
2	2	2	2	2	2	2	2	2	2	1 Full-Width	1 Full-Width Divided
		●	●								
2 tall bottle storage	2 tall bottle storage	2 with gallon storage	2 with gallon storage	2 tall bottle storage	2 tall bottle storage	2 tall bottle storage	2 tall bottle storage	2 tall bottle storage	2 tall bottle storage	2 Full-Width, 1 Split	4
●	●	●	●	●	●	●	●	●	●	●	●
Single	Single	Single	Single	Single	Single	Single	Single	Single	Single	Single	Single
Deluxe	Deluxe	Deluxe	Deluxe	Deluxe	Deluxe	Deluxe	Deluxe	Deluxe	Deluxe	Standard	Standard
●	●	●	●	●	●	●	●	●	●	●	●
● / Opt. (IM4A)	Opt. (IM4A)	Opt. (IM4A)	Opt. (IM4A)	Opt. (IM4A)	● / Opt. (IM4A)	Opt. (IM4A)	● / Opt. (IM4A) / Opt. (IM4A)	Opt. (IM4A)	Opt. (IM4A)	Opt. (IM4A)	Opt. (IM4A)
— / 2	2	2	2	2	— / 2	2	— / 2 / 2	2	1	1	2
Ice Bucket / —					Ice Bucket / —		Ice Bucket / — / —				
— / ●	●			●	— / ●	●	— / ● / ●	●			
		Step	Step								1 FW
2	2	2	2	2	2	2	2	2	2	2	2
WW, CC	WW, CC	WW, CC	WW, CC	Silver Metallic	WW, CC	WW, CC	WW, CC	WW, CC	WW, CC	WW, CC	WW, CC
CM	CM Recessed	CM	CM	Black	CM	CM Recessed	CM	CM Recessed	CM Recessed	CM Recessed	CM Recessed
Square Doors	Square Doors	Square Doors	Square Doors	Square Doors	Square Doors	Square Doors	Square Doors	Square Doors	Square Doors	Square Doors	Rounded Doors
●	●	●	●	●	●	●	●	●	●	●	●
●	●				●	●	●	●	●	●	
Front	Front	Front	Front	Front	Front	Front	Front	Front	Front	Front	
67-3/8	67-3/8	64-3/4	64-3/4	64-3/4	64-3/4	64-3/4	61-3/4	61-3/4	61-3/4	60-1/2	57-7/8
66-7/8	66-7/8	64-1/4	64-1/4	64-1/4	64-1/4	64-1/4	61-1/4	61-1/4	61-1/4	60	57-3/8
57	57	54-3/8	54-3/8	54-3/8	54-3/8	54-3/8	51-3/8	51-3/8	51-3/8	52	50
26-3/4	26-3/4	25-7/8	25-7/8	25-7/8	25-7/8	25-7/8	25-7/8	25-7/8	25-7/8	27-3/4	28-1/4
30	30	29-1/8	29-1/8	29-1/8	29-1/8	29-1/8	29-1/8	29-1/8	29-1/8	30-5/8	30-5/8
31-7/8	30	31	31	31	31	29-1/8	31	29-1/8	29-1/8	32-3/8	30-5/8
55-3/4	55-3/4	54-7/8	54-7/8	54-7/8	54-7/8	54-7/8	54-7/8	54-7/8	54-7/8	51-5/8	52-3/4
28	28	28	28	28	28	28	28	28	28	23-3/8	23-7/8
30-1/2	28-5/8	30-1/2	30-1/2	30-1/2	30-1/2	28-5/8	30-1/2	28-5/8	28-5/8	26-1/2	25-1/8
3/4	3/4	3/4	3/4	3/4	3/4	3/4	3/4	3/4	3/4	1	1
1	1	1	1	1	1	1	1	1	1	4	4
1	1	1	1	1	1	1	1	1	1	2	3
184 / 179	183	183	183	169	175 / 170	169	171 / 166 / 166	165	163	170	163

**Note:** All Top-Freezer No-Frost Right-Hand Refrigerator Doors: As you face the front of the refrigerator, the handle is on your left and the hinges are on your right.  
 All Top-Freezer No-Frost Left-Hand Refrigerator Doors: As you face the front of the refrigerator, the handle is on your right and the hinges are on your left.

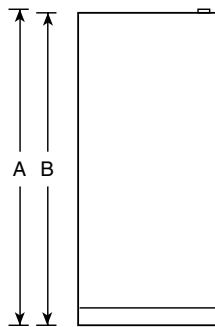


Listed by Underwriters Laboratories, Inc.

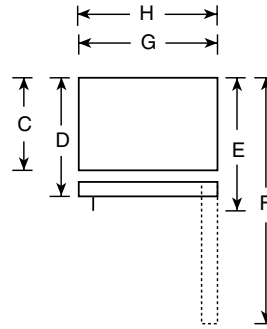
# Refrigeration Specifications

<b>GE® Manual Defrost Refrigerator</b>		<b>GMS10AAR</b>
<b>Capacity</b>		
Total (cu. ft.)		9.7
Fresh food (cu. ft.)		8.74
Freezer (cu. ft.)		.97*
Shelf area (sq. ft.)		9.88
<b>Features</b>		
Ice 'N Easy trays		2
Freezer chiller tray with baffle		●
Cabinet shelves		2 Adj.
Vegetable/fruit crisper		1 F/W
Door shelves		5 (2 Egg)
Tall bottle storage on door		●
Dairy compartment(s)		1
Egg storage bin		Pockets
Freezer compartment shelf(s)		1 F/W
<b>Economical/Quiet</b>		
Cabinet/door insulation		Foam
Cabinet/door liner		Plastic
<b>Appearance</b>		
Color(s) available		White
Door handle(s)		White
Right or left door opening		●
<b>Weights &amp; Dimensions</b>		
Height to top of hinge (in.) A		58
Height to top of case (in.) B		57-9/16
Case depth without door (in.) C		21-3/8
Case depth with door less handle (in.) D		23-1/2
Case depth with door handle (in.) E		24-13/16
Depth with door open 90° less door handle (in.) F		44-13/16
Width (in.) G		23
Width w/door open 90° less door handle (in.) H		23-1/2
Air clearances Each side (in.)		5/8
Top (in.)		2
Back (in.)		1
Approx. shipping weight (lbs.)		135

## Manual Defrost Single Door Refrigerator



Front View



Top View



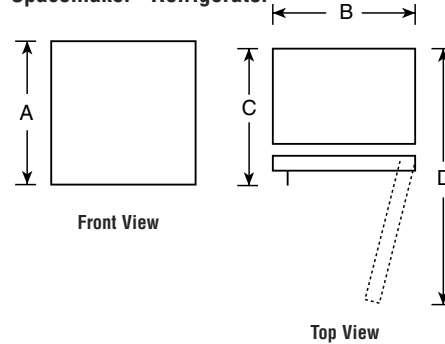
Listed by Underwriters Laboratories, Inc.

\*Compartment for short-term storage of frozen food. The frozen food compartment of this refrigerator will make ice, and pre-frozen foods can be stored for about **two weeks**. It will not effectively freeze fresh foods or provide long-term storage for meats, poultry, or fish.

## GE Spacemaker® Compact Refrigerators

	<b>GMR06AAP</b>	<b>GMR04AAM</b>	<b>GMR02BAN</b>
<b>Capacity</b>			
Total (cu. ft.)	6.0	4.4	1.7
Fresh food (cu. ft.)	5.51	3.99	1.49
Freezer (cu. ft.)	.49*	.39*	.16*
Shelf area (sq. ft.)	8.8	5.6	2.9
<b>Features</b>			
Ice 'N Easy trays	2 Mini	1 Mini	1 Mini
Manual defrost	●	●	●
Cabinet shelves (wire)	2 (1 Adj.)	2 F/W, 1 Half-width	1
Can rack	●	●	●
Door shelves	1 F/W, 2 Half-width	2 F/W, 1 Half-width	1 F/W, 1 Half-width
Interior light	●	●	●
<b>Economical/Quiet</b>			
Cabinet/door insulation	Foam	Polystyrene	Foam
Cabinet/door liner	HIPS	ABS	ABS
<b>Appearance</b>			
Color(s) available	White, Black	White, Black	White, Black
Door handles	White or Black Visor	Color-Matched Recessed	Color-Matched Recessed
Rounded doors		●	●
Reversible doors	●		
<b>Weights &amp; Dimensions</b>			
Height (in.) A	34-1/8	32-7/8	19-1/2
Width (in.) B	23-5/8	20	17-3/8
Depth with handle (in.) C	24-1/4	21-3/4	19
Depth with door open 90° (in.) D	45-1/2	40-1/8	34-3/4
Air clearances Each side (in.)	0†	1/2	1/2
Top (in.)	0	2	2
Back (in.)	0	2	2
Approx. shipping weight (lbs.)	88	77	51
<b>Accessories</b>			
Custom trim (optional)	TPK6**—Black only		

## Spacemaker™ Refrigerator



Front View

Top View

**Note:** Right-hand Refrigerator Door: As you face the front of the refrigerator, the handle is on your left and the hinges are on your right.  
Left-hand Refrigerator Door: As you face the front of the refrigerator, the handle is on your right and the hinges are on your left.

\* Compartment for short-term storage of frozen food. The frozen food compartment of this refrigerator will make ice, and pre-frozen foods can be stored for about **two weeks**. It will not effectively freeze fresh foods or provide long-term storage for meats, poultry, or fish.

\*\* Do not substitute TNK6 for this kit. Not compatible.

† If installed against a wall, allow 1-1/4" on hinge side to allow for proper door opening.

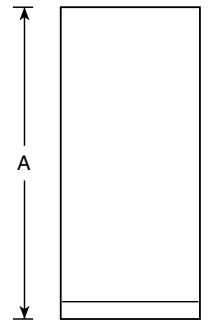
See page 83 for warranty information.



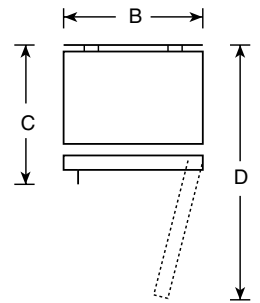
# Freezer Specifications

GE Upright Freezers	Frost-Free			Manual Defrost				
	FUF20DP	FUF17DP	FUF14DP	FUM21DR	FUM17DR	FUM14DR	FUM14SR	FUM5SN
<b>Capacity</b>								
Total volume (cu. ft.)	20.3	16.7	13.7	20.6	17.1	14.1	14.1	5.0
Shelf area (sq. ft.)	23.9	18.4	14.3	25.3	19.2	17.9	15.0	6.0
<b>Features</b>								
Temperature control	Adjustable	Adjustable	Adjustable	Adjustable	Adjustable	Adjustable	Adjustable	Adjustable
Limited food loss warranty	●	●	●	●	●	●	●	●
Door shelves (total)	6	5	5	6	5	5	5	3
Defrost water drain				●	●	●	●	
Interior light	●	●	●	●	●	●		
Lock	●	●	●	●	●	●		
Cabinet shelves (total)	5 (3 Adj.)	4 (3 Adj.)	3 (2 Adj.)	5 (1 Adj.)	4 (1 Adj.)	4 (1 Adj.)	3	2
Slide-out bulk storage basket	1	1	1	1	1	1		
<b>Economical/Quiet</b>								
Defrost	Frost-Free	Frost-Free	Frost-Free	Manual	Manual	Manual	Manual	Manual
Magnetic door gasket	●	●	●	●	●	●	●	●
Cabinet liner	Baked enamel-on-steel	Baked enamel-on-steel	Baked enamel-on-steel	Baked enamel-on-steel	Baked enamel-on-steel	Baked enamel-on-steel	Baked enamel-on-steel	Baked enamel-on-Polystyrene
Wrap-around condenser	●	●	●	●	●	●	●	●
<b>Appearance</b>								
Color available	White	White	White	White	White	White	White	White
Door handle	Recessed	Recessed	Recessed	Recessed	Recessed	Recessed	Recessed	Recessed
Textured steel case/door	●	●	●	●	●	●	●	●
<b>Weights &amp; Dimensions</b>								
Height (in.) A	70	64-1/2	59	70	64-1/2	59	59	33-1/2
Width (in.) B	32	32	28	32	32	28	28	21-3/8
Depth (in.) C	28-1/2	26-1/2	28-1/2	28-1/2	26-1/2	28-1/2	28-1/2	26-1/8
Depth with door open 90° (in.) D	59-1/8	57-1/8	55-1/8	59-1/8	57-1/8	55-1/8	55-1/8	45-3/4
Air clearances Each side (in.)	3	3	3	3	3	3	3	1
Clearances Top (in.)	3	3	3	3	3	3	3	4
Back (in.)	3	3	3	3	3	3	3	4
Approx. shipping weight (lbs.)	235	213	186	224	200	177	177	80

Upright Freezers



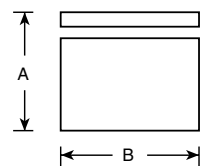
Front View



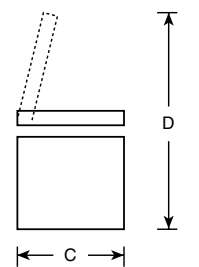
Top View

GE Chest Freezers	FCM25RM	FCM20DP	FCM15DP	FCM15SP	FCM9DM	FCM7DN	FCM5DM	FCM5SM
<b>Capacity</b>								
Total volume (cu. ft.)	25.1	19.7	14.8	14.8	8.8	7.0	5.0	5.0
<b>Features</b>								
Manual defrost	●	●	●	●	●	●	●	●
Temperature control	Adjustable	Adjustable	Adjustable	Adjustable	Adjustable	Adjustable	Adjustable	Adjustable
Power "ON" light						●	●	
Wrap-around condenser	●	●	●	●	●	●	●	●
Wrap-around evaporator	●	●	●	●	●	●	●	●
Limited food loss warranty	●	●	●	●	●	●	●	●
Defrost water drain	●	●	●	●	●	●	●	●
Interior light	●	●	●	●	●			
Lock	●	●	●	●	●	●	●	
Lift-out and sliding bulk storage basket(s)	4	3	2	1	2	2	2	1
Fast Freeze							●	
<b>Economical/Quiet</b>								
Insulation (cabinet and lid)–Foam	●	●	●	●	●	●	●	●
Cabinet liner	Steel Epoxy-Coated	Steel Epoxy-Coated	Steel Epoxy-Coated	Steel Epoxy-Coated	Steel Epoxy-Coated	Textured Aluminum	Textured Aluminum	Textured Aluminum
<b>Appearance</b>								
Color available	White	White	White	White	White	White	White	White
Handle	●	Recessed	Recessed	Recessed	Recessed	Recessed	Recessed	Recessed
Textured steel case and lid	●	●	●	●	●			
<b>Weights &amp; Dimensions</b>								
Height (in.) A	35	35	35	35	34-1/4	33-1/8	33	33
Width (in.) B	73-7/8	61-1/4	48	48	41	38	29-1/8	29-1/8
Depth (in.) C	28-3/4	29-1/2	29-1/2	29-1/2	23-1/4	22-3/8	22-3/16	22-3/16
Height with lid open (in.) D	59-3/4	60-3/4	60-3/4	60-3/4	54-1/4	53-1/4	53-3/16	53-3/16
Air clearances Each side (in.)	3	3	3	3	3	3	3	3
Back (in.)	3	3	3	3	3	3	3	3
Approx. shipping weight (lbs.)	245	195	161	161	127	126	101	101

Chest Freezers



Front View



Side View

See page 83 for warranty information.

# Smooth Top Ranges

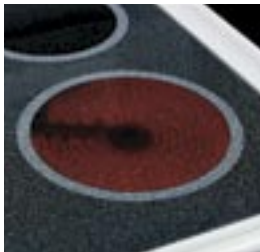
Hotpoint® free-standing smooth top ranges provide quick cooking response. The fast, ribbon heating elements are positioned beneath the smooth cooktop and direct heat straight up to the pan. This sophisticated cooking method provides even heat for uniform cooking. Electronic oven controls provide an easy, two-step self-clean oven operation.



**5.0 cu. ft. capacity**  
Hotpoint's smooth top ranges have an oven that is big enough to handle just about any cooking need.



**Two-step self-clean**  
Simply latch the oven door and push the "Self-Clean" button. The oven does the rest.



**Ribbon heating elements**  
Unlike conventional elements, the heat comes from brightly glowing ribbon elements positioned beneath the smooth fingerprint-and scratch-resistant, patterned ceramic-glass surface.



**Touchpad controls**  
Set your oven to bake, broil, or self-clean quickly and easily—with the touch of a button.



**Frameless glass oven door**  
The full-width frameless door is easy to clean and offers contemporary styling.



**Warming drawer**  
Provides variable temperature control for keeping foods warm.

**NEW!**



RB800SJ‡

**Silver metallic exterior‡**  
Unique finish complements any kitchen décor, countertop and cabinetry regardless of their color or finish.

‡Available January 2005



**Electronic oven controls**

Easy-to-use electronic oven controls provide:

- Simple touchpad oven operation
- Auto Self-Clean
- Self-clean cycling light
- Preheated oven light with audible preheat signal
- Auto oven shut-off
- Electronic clock and timer
- Automatic oven timer
- Oven "ON" light
- Delay Bake option.

Hotpoint free-standing coil ranges are perfect solutions for today's busy schedules! Self-clean ovens save you time and effort. On ranges with one-piece, upswept cooktops, a simple wipe-up does the job. White on white models are designed to complement the elegance and efficiency of today's kitchens.



**5.0 cu. ft. capacity**  
Hotpoint's coil ranges have an oven that is big enough to handle just about any cooking possibility.



**One-piece upswept cooktop**  
No cracks or crevices to trap dirt! The porcelain enamel-on-steel surface wipes clean easily.



**Lift-up cooktop**  
Cooktop lifts up to allow easy clean-up of hard-to-reach spots underneath.



**Plug-in surface elements**  
Unplug to remove drip bowls and clean in the dishwasher. Recessed areas are designed to catch spillovers and make cleaning simple.



**Two-step self-clean**  
Simply latch the oven door and push the "Self-Clean" button. The oven does the rest.



**Frameless glass oven door**  
The full-width frameless door is easy to clean and offers contemporary styling.

**Calrod® surface elements**  
The design of the removable Calrod surface elements assures fast, clean cooking and even heat distribution.

**Removable full-width storage drawer**  
Conveniently store cooking utensils close at hand. Drawer removes easily for cleaning underneath.



RB757WH



**Electronic oven controls**  
Easy-to-use electronic oven controls provide:  

- Simple touchpad oven operation
- Auto Self-Clean
- Self-clean cycling light
- Preheated oven light with audible preheat signal
- Auto oven shut-off
- Electronic clock and timer
- Automatic oven timer
- Oven "ON" light
- Delay Bake option.

All features may not be available on all models.

## 30" Electric Ranges

### 30" Free-Standing Electric Ranges

**These models** feature 5.0 cu. ft. capacity self-clean ovens; electronic clock and minute timer; two oven shelves; broiler pan; lift-off oven door; interior oven light; infinite heat controls; removable, full-width storage drawer.

#### **RB800SJ‡**

- Silver metallic model
- Ceramic glass cooktop
- Ribbon heating elements
- Super-large, self-clean oven
- Warming drawer
- Big view window
- Two oven racks
- Audible preheat signal

‡Available January 2005

#### **RB800WJ**

- White on white model
- Ceramic glass cooktop
- Ribbon heating elements
- Super-large, self-clean oven
- Warming drawer
- Big view window
- Two oven racks
- Audible preheat signal

#### **RB800CJ**

- Bisque on bisque model
- Same features and appearance as RB800WJ.

#### **RB800BJ**

- Black on black model
- Same features and appearance as RB800WJ.

#### **RB790SH‡**

- Silver metallic model
- Ceramic glass cooktop
- Two 8" and two 6" ribbon heating elements
- Big view window
- One-piece upswept cooktop
- EasySet III oven controls

‡Available January 2005

#### **RB787BH**

- Black on black model
- Smooth, easy-to-clean fingerprint- and scratch-resistant patterned ceramic-glass cooktop
- Two 8" and two 6" ribbon heating elements
- Hot surface indicator lights
- Auto oven shut-off
- Two-step self-clean
- Single oven control knob
- Frameless glass oven door with window
- Designer-style handle

#### **RB787WH**

- White on white model
- Same features and appearance as RB787BH.

#### **RB787CH**

- Bisque on bisque model
- Same features and appearance as RB787BH.

**NEW!**



**RB800SJ‡**  
*Ribbon Range*



**RB800WJ**  
*Ribbon Range*

For detailed specifications, installation information and color availability, refer to page 30. For warranty information, refer to page 83.



## 30" Electric Ranges

**NEW!**



**RB790SH†**  
*Ribbon Range*



**RB787BH**  
*Ribbon Range*



**RB787WH**  
*Ribbon Range*

For detailed specifications, installation information and color availability, refer to page 30. For warranty information, refer to page 83.

## 30" Electric Ranges

### 30" Free-Standing Electric Ranges

**These models** feature 5.0 cu. ft. capacity self-clean ovens; electronic clock and minute timer; two oven shelves; broiler pan; lift-off oven door; interior oven light; infinite heat controls; removable, full-width storage drawer.

#### **RB757WH**

- White on white model
- Porcelain-enameled upswept cooktop
- Auto oven shut-off
- Two-step self-clean
- Two 8" and two 6" plug-in Calrod® heating elements with removable one-piece chrome drip bowls
- Lift-up cooktop
- Frameless glass oven door with window
- Designer-style handle

#### **RB757CH**

- Bisque on bisque model
- Same features and appearance as RB757WH.

#### **RB757EH**

- Black on black model
- Same features and appearance as RB757WH.

#### **RB757BH**

- White or Bisque model
- Same features and appearance as RB757WH, except has black door and control panel.

#### **RB740BH**

- White or Bisque model
- Porcelain-enameled upswept cooktop
- Two 8" and two 6" plug-in Calrod® heating elements with removable one-piece chrome drip bowls
- Lift-up cooktop
- Frameless glass oven door
- Designer-style handle



**RB757WH**  
*Self-Clean Oven*



**RB757EH**  
*Self-Clean Oven*

For detailed specifications, installation information and color availability, refer to page 30. For warranty information, refer to page 83.



**RB757BH**  
*Self-Clean Oven*



**Electronic oven controls**

Easy-to-use electronic oven controls provide:

- Simple touch pad oven operation
- Auto Self-Clean
- Self-clean cycling light
- Preheated oven light with audible preheat signal
- Auto oven shut-off
- Electronic clock and timer
- Automatic oven timer
- Oven "ON" light
- Delay Bake option.



**RB740BH**  
*Self-Clean Oven*

For detailed specifications, installation information and color availability, refer to page 30.  
For warranty information, refer to page 83.

## 30" Electric Ranges

### 30" Free-Standing Electric Ranges

**These models** feature standard-clean ovens, easy-to-clean, upswept, porcelain-enameled cooktop; 5.0 cu. ft. capacity; two oven shelves; plug-in Calrod® heating elements; one-piece removable drip bowls; full-width removable storage drawer and broiler pan with grid.

#### **RB540SH‡**

- Silver metallic model
- Two 8" and two 6" plug-in Calrod® heating elements
- Big view window
- Porcelain-enameled upswept cooktop
- Black drip bowls

‡Available January 2005

#### **RB536WH**

- White on white model
- Electronic clock/timer
- Lift-up cooktop
- Two 8" and two 6" plug-in heating elements
- Frameless glass oven door with window
- Designer-style handle

#### **RB536CH**

- Bisque on bisque model
- Same features and appearance as RB536WH.

#### **RB526H**

- White on white or Bisque on bisque model
- Two 8" and two 6" plug-in heating elements
- Color-matched oven door with window
- Designer-style handle
- Electronic clock/timer

#### **RB525BH**

- White or Bisque model
- One 8" and three 6" plug-in heating elements
- Frameless solid black glass oven door
- Chrome visor door handle

#### **RB525H** (not shown)

- White or Bisque
- Same features and appearance as RB525BH, except has color-matched painted oven door.



RB540SH‡



RB536WH



## Electric Ranges

### 24" Compact Electric Range



RB526H



RA624F

#### RA624F

- White model
- Standard-clean oven
- One 8" and three 6" plug-in heating elements with chrome drip bowls
- Push-to-turn controls
- Lift-up cooktop with porcelain-enameled subtop
- Two heating element "ON" indicator lights
- 2 oven shelves
- Oven cycling light
- Broiler pan with grid

### 20" Compact Electric Range



RB525BH



RA620F

#### RA620F

- White or Bisque model
- Standard-clean oven
- One 8" and three 6" plug-in heating elements with chrome drip bowls
- Lift-up cooktop with porcelain-enameled subtop
- Two heating element "ON" indicator lights
- 2 oven shelves
- Oven cycling light
- Broiler pan with grid

For detailed specifications, installation information and color availability, refer to page 31. For warranty information, refer to page 83.

# Electric Range Specifications

30" electric ranges	RB800SJ <sup>†</sup>	RB800WJ	RB800CJ	RB800BJ	RB790SH <sup>†</sup>	RB787WH	RB787CH	RB787BH	RB757WH	RB757CH	RB757EH	RB757BH	RB740BH	RB540SH <sup>†</sup>	RB536WH	RB536CH	RB526H	RB525BH	RB525H	
	<b>Features</b>																			
Self-clean oven	●	●	●	●	●	●	●	●	●	●	●	●	●	●	●	●	●	●	●	●
Oven capacity	5.0	5.0	5.0	5.0	5.0	5.0	5.0	5.0	5.0	5.0	5.0	5.0	5.0	5.0	5.0	5.0	5.0	5.0	5.0	5.0
Cleaning time	Variable	Variable	Variable	Variable	Variable	Variable	Variable	Variable	Variable	Variable	Variable	Variable	Variable	Variable	Variable	Variable	Variable	Variable	Variable	Variable
Standard-clean oven	●	●	●	●	●	●	●	●	●	●	●	●	●	●	●	●	●	●	●	●
Oven shelves	2	2	2	2	2	2	2	2	2	2	2	2	2	2	2	2	2	2	2	2
Porcelain-enameled upswept cooktop	Radiant	Radiant	Radiant	Radiant	Radiant	Radiant	Radiant	Coil	Coil	Coil	Coil	Coil	Coil	Coil	Coil	Coil	Coil	Coil	Coil	Coil
Patterned cooktop	●	●	●	●	●	●	●	●	●	●	●	●	●	●	●	●	●	●	●	●
Lift-up cooktop	●	●	●	●	●	●	●	●	●	●	●	●	●	●	●	●	●	●	●	●
8-inch heating elements	2 (2000W)	2 (2000W)	2 (2000W)	2 (2000W)	2 (2000W)	2 (2000W)	2 (2000W)	2 (2000W)	2 (2000W)	2 (2000W)	2 (2000W)	2 (2000W)	2 (2000W)	2 (2000W)	2 (2000W)	2 (2000W)	2 (2000W)	2 (2000W)	2 (2000W)	2 (2000W)
6-inch heating elements	2 (1500W)	2 (1500W)	2 (1500W)	2 (1500W)	2 (1500W)	2 (1500W)	2 (1500W)	2 (1500W)	2 (1500W)	2 (1500W)	2 (1500W)	2 (1500W)	2 (1500W)	2 (1500W)	2 (1500W)	2 (1500W)	2 (1500W)	2 (1500W)	2 (1500W)	2 (1500W)
Ribbon heating elements	●	●	●	●	●	●	●	●	●	●	●	●	●	●	●	●	●	●	●	●
Plug-in Calrod <sup>®</sup> heating elements	●	●	●	●	●	●	●	●	●	●	●	●	●	●	●	●	●	●	●	●
Removable one-piece drip bowls	●	●	●	●	●	●	●	●	●	●	●	●	●	●	●	●	●	●	●	●
Electronic oven control	Easy Set III	Easy Set III	Easy Set III	Easy Set III	Easy Set III	Easy Set III	Easy Set III	Easy Set III	Easy Set III	Easy Set III	Easy Set III	Easy Set III	Easy Set III	Easy Set III	Easy Set III	Easy Set III	Easy Set III	Easy Set III	Easy Set III	Easy Set III
Electronic clock and minute timer	●	●	●	●	●	●	●	●	●	●	●	●	●	●	●	●	●	●	●	●
Electronic automatic oven timer	●	●	●	●	●	●	●	●	●	●	●	●	●	●	●	●	●	●	●	●
Oven temperature display	●	●	●	●	●	●	●	●	●	●	●	●	●	●	●	●	●	●	●	●
Auto oven shut-off	w/override	w/override	w/override	w/override	w/override	w/override	w/override	w/override	w/override	w/override	w/override	w/override	w/override	w/override	w/override	w/override	w/override	w/override	w/override	w/override
Audible preheat signal	●	●	●	●	●	●	●	●	●	●	●	●	●	●	●	●	●	●	●	●
Hot surface indicator lights	●	●	●	●	●	●	●	●	●	●	●	●	●	●	●	●	●	●	●	●
Heating element "ON" indicator lights	●	●	●	●	●	●	●	●	●	●	●	●	●	●	●	●	●	●	●	●
Oven cycling light	●	●	●	●	●	●	●	●	●	●	●	●	●	●	●	●	●	●	●	●
Interior oven light	Control	Control	Control	Control	Control	Control	Control	Control	Control	Control	Control	Control	Control	Control	Control	Control	Control	Control	Control	Control
Self-clean cool down time display	●	●	●	●	●	●	●	●	●	●	●	●	●	●	●	●	●	●	●	●
Auto self-clean	●	●	●	●	●	●	●	●	●	●	●	●	●	●	●	●	●	●	●	●
Delay Clean option	●	●	●	●	●	●	●	●	●	●	●	●	●	●	●	●	●	●	●	●
Delay start	●	●	●	●	●	●	●	●	●	●	●	●	●	●	●	●	●	●	●	●
Broiler pan	●	●	●	●	●	●	●	●	●	●	●	●	●	●	●	●	●	●	●	●
Warming drawer with handle	●	●	●	●	●	●	●	●	●	●	●	●	●	●	●	●	●	●	●	●
<b>Appearance</b>																				
Color appearance*	SA WW CC BB	SA	WW CC BB	WW CC BB WH/CT	WH/CT	SA	WW CC	WW/CC	WH/CT	WH/CT	WH/CT	WH/CT	WH/CT	SA	WW CC	WW/CC	WH/CT	WH/CT	WH/CT	WH/CT
Oven door with window	Big view	Big view	●	●	●	Big view	●	●	●	●	●	●	●	Big view	●	●	●	●	●	●
Door handle	Designer-Style	Designer-Style	Designer-Style	Designer-Style	Designer-Style	Designer-Style	Designer-Style	Designer-Style	Designer-Style	Designer-Style	Designer-Style	Designer-Style	Designer-Style	Designer-Style	Designer-Style	Designer-Style	Designer-Style	Designer-Style	Visor	Visor
Lift-off oven door	Silver Metallic White Bisque Black	Silver Metallic	White Glass Bisque Glass Black Glass	White Glass Bisque Glass Black Glass	Black Glass	Silver Metallic	White Glass Bisque Glass	CM*	Black Glass	CM*	Black Glass	CM*	CM*	Silver Metallic	White Glass Bisque Glass	CM*	Black Glass	Black Glass	CM*	CM*
Full-width removable storage drawer	●	●	●	●	●	●	●	●	●	●	●	●	●	●	●	●	●	●	●	●
<b>Weights and Dimensions</b>																				
Overall oven interior dimensions (W x H x D in inches)	← 23 -3/4 x 19 x 18-1/2 →																			
KW rating @ 240V	10.5	10.5	10.5	11.7	11.7	12.6	12.6	11.0	10.1	10.1	10.1	10.1	10.1	12.6	12.6	11.0	10.1	10.1	10.1	10.1
@ 208V	7.9	7.9	7.9	8.8	8.8	9.9	9.9	8.7	8.0	8.0	8.0	8.0	8.0	9.9	9.9	8.7	8.0	8.0	8.0	8.0
Amp rating @ 240V / 208V	40	40	40	40	40	40	40	40	40	40	40	40	40	40	40	40	40	40	40	40
Approx. shipping weight (lbs.)	166	166	166	155	170	158	158	150	150	150	150	150	150	158	158	150	150	150	150	150

\*SA=Silver Metallic, WW=White with white door, CC=Bisque with bisque door, BB=Black with black door, WH=White with black door, CT=Bisque with black door, CM=Oven door is color-matched to cooktop and drawer front (either White or Bisque).

† Available January 2005

## 30" free-standing range installation information (in inches)

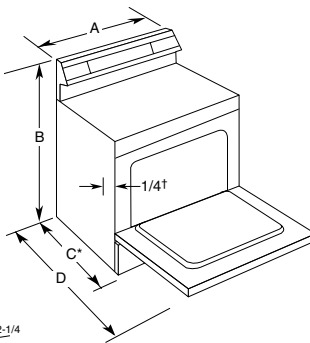
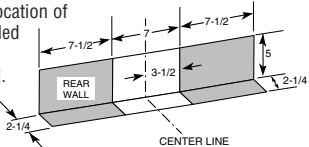
\*Dimensions from wall to front of closed oven door handle:  
28-1/2" on models RB800/790/787/757/740/540/536; 28-3/8" on RB526H and RB525BH; 28" on RB525H

†The range may be placed with a 0" clearance (flush) at the back wall and side walls if the range side trims extend beyond the cabinet fronts at least 1/4". Self-Clean models only.

## Receptacle locations

Locally approved flexible service cord or conduit must be used because terminals are not accessible after range installation.

See shaded area in drawing for location of electrical outlet box. Recommended outlet locations allow range to be installed directly against rear wall.



## 30" electric range dimensions (in inches)

Models	A Width	B Height	C* Depth	D Depth with door open
RB800SJ/WJ/CJ/BJ	29-7/8	46-1/2	26-3/8	46-3/8
RB790SH	29-7/8	46-1/2	26-3/8	46-3/8
RB787WH/CH/BH	29-7/8	46-1/2	26-3/8	46-3/8
RB757WH/EH/CH/BH	29-7/8	46-1/2	26-3/8	46-3/8
RB740BH	29-7/8	46-1/2	26-3/8	46-3/8
RB540SH	29-7/8	46-1/2	26-3/8	46-3/8
RB536WH/CH	29-7/8	46-1/2	26-3/8	46-3/8
RB526H	29-7/8	46-1/2	26-3/8	46-3/8
RB525BH	29-7/8	46-1/2	26-3/8	46-3/8
RB525H	29-7/8	46-1/2	26-3/8	46-3/8

\*Dimensions from wall to front of closed oven door.

**Note:** 30" Electric Ranges conform to U.L. requirements for 0" spacing from walls below countertops. Allow 1-1/2" spacing from the side of the range to adjacent vertical walls above the cooktop surface.

**Installation information:** Before installing, consult installation instructions packed with product for current dimensional data.

**FULL ONE-YEAR WARRANTY** One year from date of original purchase, we will provide free of charge, parts and service labor in your home to repair or replace any part of the appliance that fails because of a manufacturing defect. Complete details from your dealer.



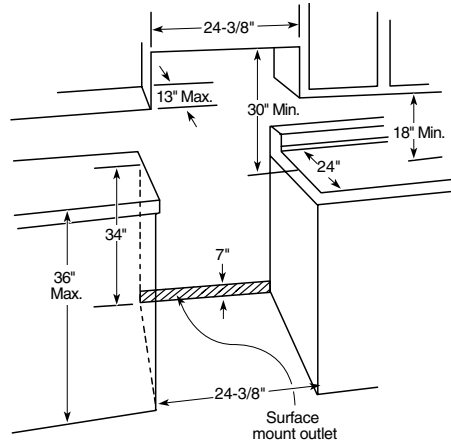
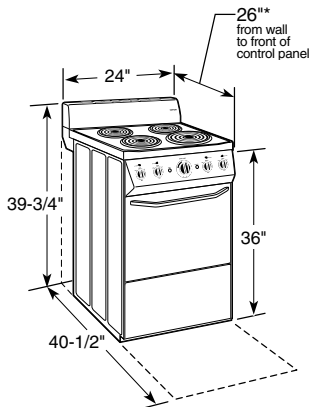
All Hotpoint ranges are equipped with an Anti-Tip device. The installation of this device is an important, required step in the installation of the range.

# Electric Range Specifications

Hotpoint 24" and 20" electric ranges	24" range RA624F	20" range RA620F
<b>Features</b>		
Oven cleaning	Standard	Standard
Oven shelves	2	2
Recessed lift-up cooktop	●	●
Porcelain-enameled subtop	●	●
8-inch heating elements	1 Plug-in	1 Plug-in
6-inch heating elements	3 Plug-in	3 Plug-in
Removable drip bowls	Chrome	Chrome
Push-to-turn controls	●	●
Heating element "ON" indicator light	●	●
Oven cycling light	●	●
Broiler pan with grid	●	●
<b>Appearance</b>		
Color appearance	WH*	WH/CT*
Porcelain-enameled oven door	Solid CM*	Solid CM*
Four leveling legs	●	●
Removable oven door	●	●
<b>Weights and Dimensions</b>		
Overall oven interior dimensions (W x H x D in inches)	18-1/2 x 13-3/4 x 16-3/4	15-3/4 x 13-3/4 x 16-3/4
KW rating @ 240V	8.43	8.43
@ 208V	6.47	6.47
Approx. ship. wt. (lbs.)	127	120

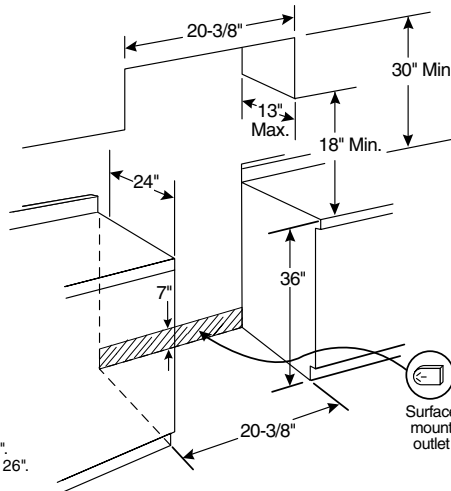
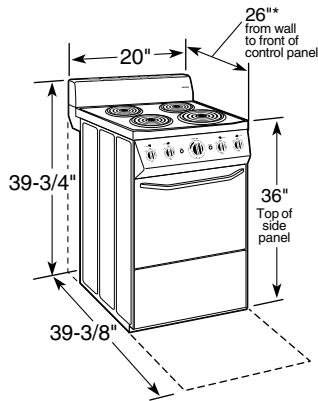
\*WH=White with color-matched door, CT=Bisque with color-matched door, CM=Oven door is color-matched to cooktop and drawer front (either White or Bisque).

## 24" free-standing range dimensions and installation information (in inches)



**Note:** 24" Ranges conform to U.L. requirements for 0" spacing from range to adjacent walls below countertop.

## 20" free-standing range dimensions and installation information (in inches)



**Note:** Compact 20" Electric Ranges conform to U.L. requirements for 0" spacing from range to adjacent walls below countertop.

### Receptacle locations

Locally approved flexible service cord or conduit must be used because terminals are not accessible after range installation. See shaded area in drawings for location of electrical outlet box. Recommended outlet locations allow range to be installed directly against rear wall.

**Installation information:** Before installing, consult installation instructions packed with product for current dimensional data.



Listed by  
Underwriters  
Laboratories



All Hotpoint ranges are equipped with an Anti-Tip device. The installation of this device is an important, required step in the installation of the range.

See page 83 for warranty information.

## Gas Ranges

Hotpoint Capacity Plus™ gas ranges feature an extra-large oven capacity and are available in self-clean or standard-clean ovens. Select models feature sealed burners that provide both simmer capability and high output, an extra-large broiler pan and grid, six embossed rack positions and porcelain-enamelled upswept cooktop.



### Sealed gas burners

Special burner design helps contain spills and boiling-over liquids from dripping beneath cooktop for easy clean-up.



### Simmer 600 burner

Offers true simmer capability with a low (600 BTU) setting. Provides low, even heat distribution for delicate foods and sauces.



### EasySet clock and oven timer

Easy-to-use electronic touch pad controls and delayed baking function make cooking simple.



### Performance Plus burner

Provides high output (12,000 BTU) for faster boiling and to heat foods quickly.



### Lift-up cooktop with easy-clean subtop

Standard burner models have a cooktop that lifts up for easy access to porcelain-enamelled subtop. Twin rod supports allow cooktop to lift and lock into place. Free from pipes or wires that interfere with clean-up.



### Capacity Plus™ gas ranges

Extra-large capacity with a sixth embossed rack position increases cooking flexibility.



### One-piece upswept cooktop

Free from cracks or crevices that trap dirt. The porcelain enamel-on-steel surface wipes clean easily.



RGB790SEH‡

### Silver metallic exterior‡

Unique finish complements any kitchen décor, countertop and cabinetry regardless of their color or finish.

‡Available January 2005

All features may not be available on all models.



## CAPACITY PLUS™ 30" Free-Standing Gas Ranges

These models feature more usable oven capacity than any other leading manufacturers' brand; a sixth embossed rack position; extra-large broiler pan; porcelain-enameled upswept cooktop; interior oven light and electronic pilotless ignition.

### ◀ RGB790SEH‡

(shown at left)

- Silver metallic model
- Extra-large, self-clean oven
- Sealed cooktop burners
- Simmer 600 burner
- Performance Plus burner
- All purpose burners

‡Available January 2005

### RGB745WEH

- White on white model
- Extra-large, self-clean oven
- Sealed cooktop burners
- Simmer 600 burner
- Performance Plus burner
- Heavy-steel grates
- In-oven broiling
- Frameless white glass oven door with window
- EasySet IV clock and oven timer
- Removable grey porcelain-enameled drip pans
- Removable storage drawer

### RGB745EEH

- Black on black model
- Same features and appearance as RGB745WEH.

### RGB745BEH

- White or Bisque model
- Same features as RGB745WEH, except has black control panel and black glass oven door.

### RGB740BEH

- White or Bisque model
- Similar to RGB745, except no oven window.

### RGB540SEH‡

- Silver metallic model
- Extra-large, standard-clean oven
- Sealed cooktop burners
- Simmer 600 burner
- Performance Plus burner
- All purpose burners

‡Available January 2005



RGB745WEH  
CAPACITY PLUS™

RGB745BEH  
CAPACITY PLUS™

RGB740BEH  
CAPACITY PLUS™

RGB540SEH‡  
CAPACITY PLUS™

For detailed specifications, installation information and color availability, refer to page 36. For warranty information, refer to page 83.

## 30" Gas Ranges

### *CAPACITY PLUS™ 30" Free-Standing Gas Ranges*

**These models** feature an extra-large standard oven; six embossed rack positions; twin cooktop burners and lift-up cooktop.

#### **RGB533WEH**

- White on white model
- Extra-large standard-clean oven
- Sealed cooktop burners
- Simmer 600 burner
- Performance Plus burner
- Frameless glass oven door with window
- Electronic clock/timer

#### **RGB533CEH**

- Bisque on bisque model
- Same features and appearance as RGB533WEH

#### **RGB528PEH**

- White on white model
- Extra-large standard-clean oven
- White porcelain-enameled oven door with window
- Electronic clock/timer
- Twin cooktop burners
- Lift-up cooktop

#### **RGB524PEH**

- White or Bisque model
- Extra-large standard-clean oven
- Solid color-matched porcelain-enameled oven door
- Slide-out broiler drawer
- Electronic pilotless ignition

#### **RGB524PPH**

- White or Bisque model
- Same features as RGB524PEH, except with standing pilot ignition system.

#### **RGB508PEH**

- White or Bisque model
- Extra-large standard-clean oven
- Solid color-matched porcelain-enameled oven door
- Drop-down broiler door
- Electronic pilotless ignition

#### **RGB508PPH**

- White or Bisque
- Same features as RGB508PEH, except with standing pilot ignition system.



**RGB533WEH**  
*CAPACITY PLUS™*



**RGB528PEH**  
*CAPACITY PLUS™*

## 24" Compact Gas Ranges



**RGB524PEH/PPH**  
**CAPACITY PLUS™**



**RGA624EF/PF**

### **RGA624EF**

- White model
- Standard-clean oven
- Electronic pilotless ignition
- Porcelain-enameled oven door
- Recessed, lift-up cooktop
- Rectangular burner grates
- Push-to-turn controls
- 2 oven shelves
- Broiler drawer
- Broiler pan with grid

### **RGA624PF**

- White model
- Same features as RGA624EF, except with standing-pilot ignition system.

## 20" Compact Gas Ranges



**RGB508PEH/PPH**  
**CAPACITY PLUS™**



**RGA620EF/PF**

### **RGA620EF**

- White model
- Standard-clean oven
- Electronic pilotless ignition
- Porcelain-enameled oven door
- Recessed, lift-up cooktop
- Rectangular burner grates
- Push-to-turn controls
- 2 oven shelves
- Broiler drawer
- Broiler pan with grid

### **RGA620PF**

- White model
- Same features as RGA620EF, except with standing-pilot ignition system.

For detailed specifications, installation information and color availability, refer to page 37. For warranty information, refer to page 83.

# Gas Range Specifications

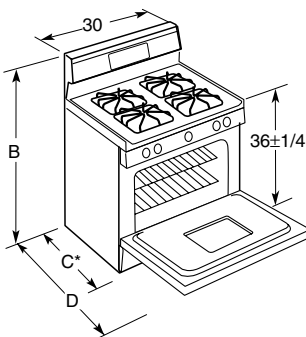
<b>30" CAPACITY PLUS™ Gas Ranges</b>	<b>RGB790SEH**</b>	<b>RGB745WEH RGB745EEH RGB745BEH</b>	<b>RGB740BEH</b>	<b>RGB540SEH**</b>	<b>RGB533WEH RGB533CEH</b>	<b>RGB528PEH</b>	<b>RGB524PEH RGB524PPH</b>	<b>RGB508PEH RGB508PPH</b>
<b>Features</b>								
Extra-large oven	Self-Clean	Self-Clean	Self-Clean	Standard-Clean	Standard-Clean	Standard-Clean	Standard-Clean	Standard-Clean
Cooktop burners	Sealed	Sealed	Sealed	Sealed	Sealed	Twin	Twin	Twin
Performance Plus burner (Nat.)	(1) 12,000/ 1,000 BTU	(1) 12,000/ 1,000 BTU	(1) 12,000/ 1,000 BTU	(1) 12,000/ 1,000 BTU	(1) 12,000/ 1,000 BTU			
Simmer 600 burner (Nat.)	(1) 5,000/ 600 BTU	(1) 5,000/ 600 BTU	(1) 5,000/ 600 BTU	(1) 5,000/ 600 BTU	(1) 5,000/ 600 BTU			
All purpose sealed burners (Nat.)	(2) 9,500/ 850 BTU	(2) 9,500/ 850 BTU	(2) 9,500/ 850 BTU	(2) 9,500/ 850 BTU	(2) 9,500/ 850 BTU			
Oven controls	EasySet IV	EasySet IV	EasySet IV	Electronic Clock/Timer	Electronic Clock/Timer	Electronic Clock/Timer	Knob	Knob
Automatic oven timer	Electronic	Electronic	Electronic					
Porcelain-enamelled cooktop	Upswept	Upswept	Upswept	Upswept	Upswept	Upswept	●	●
Lift-up cooktop				●	●	●	●	●
Easy-clean subtop				●	●	●	●	●
Valves (degree of turn)	270°	270°	270°	270°	270°	140°	140°	140°
Removable drip pans	Black Porc.-Enam.	Grey Porc.-Enam. Black Porc.-Enam. Black Porc.-Enam.	Black Porc.-Enam.	Opt. Access.	Opt. Access.	Opt. Access.	Opt. Access.	Opt. Access.
Removable square grates	Black Heavy-steel	Grey Heavy-steel Black Heavy-steel Black Heavy-steel	Black Heavy-steel	Black	Grey Taupe	Grey	Black	Black
Ignition system	Electronic	Electronic	Electronic	Electronic	Electronic	Electronic Electronic	Electronic Pilot	Pilot
Oven shelves	2	2	2	2	2	2	2	2
Six embossed rack positions	●	●	●	●	●	●	●	●
Interior oven light	●	●	●	●	●	●	●	●
In-oven broiling	●	●	●	●	●	●	●	●
Slide-out broiler drawer				●	●	●	●	Drop down door
Removable storage drawer	●	●	●					
<b>Appearance</b>								
Color appearance*	Silver Metallic	WW BB WH/CT	WH/CT	Silver Metallic	WW CC	WW	WH/CT WH/CT	WH/CT WH/CT
Frameless oven door	Silver Metallic	White Glass Black Glass Black Glass	Black Glass	Silver Metallic	White Glass Bisque Glass	White Porc.-Enam.	Solid CM Porc.-Enam.	Solid CM Porc.-Enam.
Oven door with window	Big view	●		Big view	●	●		
Handle style	Designer-Style	Designer-Style	Designer-Style	Designer-Style	Designer-Style	Visor	Visor	Visor
Removable oven door		●	●		●	●	●	●
<b>Weights and Dimensions</b>								
Overall oven interior dimensions (WxHxD in inches)	← 24x18.5x19 →							
Approx. shipping weight (lbs.)	210	210	210	185	185	165	147	166
<b>Power/Ratings</b>								
Gas range electrical rating†	← 120V, 60 Hz, 5A →							
Top burners†† (000's BTU) NAT/LP	← (1)-12.0/11.0 (1)-5.0/5.0 (2)-9.5/9.5 →				← 9.1/8.0 →			
Oven/broiler burners†† (000's BTU)	← 16.0/16.0 - Oven 12.5/12.0 - Broil →			← 18.0/16.5 →				
<b>Accessories</b>								
LP conversion kit	●	●	●	●	●	●	●	●

\*WW=White with white door, CC=Bisque with bisque door, WH=White with black door, CT=Bisque with black door, CM=Indicates color of oven door matches range cooktop (either White or Bisque)

\*\*Available January 2005.

†Electrical rating not applicable to standing pilot models RGB524PPH/RGB508PPH

††Factory set for natural gas.

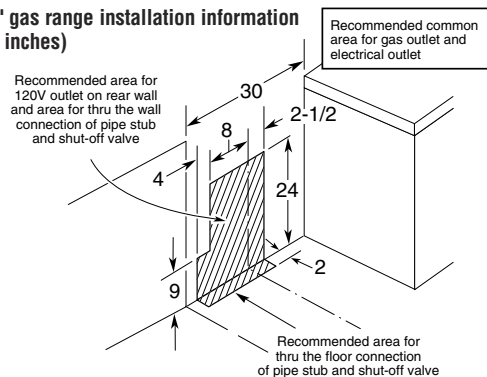


## 30" gas range dimensions (in inches)

Models	B Height	C* Depth	D Depth with door open
RGB790SEH	46-1/2	26-1/4	46-3/8
RGB745WEH/EEH/BEH	46-1/2	26-1/4	46-3/8
RGB740BEH	46-1/2	26-1/4	46-3/8
RGB540SEH	46-1/2	26-1/4	46-3/8
RGB533WEH/CEH	46-1/2	26-1/4	46-3/8
RGB528PEH	46-1/2	26-1/2	46-3/8
RGB524PEH/PPH	44	26-1/2	46-3/8
RGB508PEH/PPH	39-7/8	26-1/2	46-3/8

\*Depth from wall to front of closed oven door.

## 30" gas range installation information (in inches)



## Optional gas range accessory drip pans

(Available at additional cost)

To order these accessory drip pans, call toll-free 800-626-2002.

**Installation information:** Before installing, consult installation instructions packed with product for current dimensional data.



All Hotpoint ranges are equipped with an Anti-Tip device. The installation of this device is an important, required step in the installation of the range.





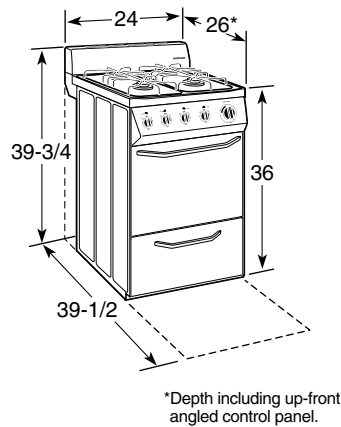
Hotpoint 24" and 20" Gas Ranges	24" range RGA624EF/PF	20" range RGA620EF/PF
<b>Features</b>		
Oven cleaning	Standard	Standard
Oven shelves	2	2
Recessed lift-up cooktop	●	●
Porcelain-enameled subtop	●	●
Rectangular grates	●	●
Ignition system	Electronic/Pilot	Electronic/Pilot
Push-to-turn controls	●	●
Broiler pan with grid	●	●
Separate broiler drawer (with tip down door)	●	●
<b>Appearance</b>		
Color appearance*	WH	WH
Porcelain-enameled oven door	Solid color-matched	Solid color-matched
Removable oven door	●	●
Four leveling legs	●	●
<b>Weights and Dimensions</b>		
Overall oven interior dimensions (WxHxD in inches)	19 x 14 x 19	14-7/8 x 16 x 19-1/2
Burner BTU:		
Top (Nat/LP)	9,000/8,000	9,000/8,000
Oven (Nat/LP)	18,000/18,000	18,000/18,000
Gas range electrical rating**	120V, 60 Hz, 5A	120V, 60 Hz, 5A
Approx. ship. wt. (lbs.)	140	129

\*WH=White with color-matched door

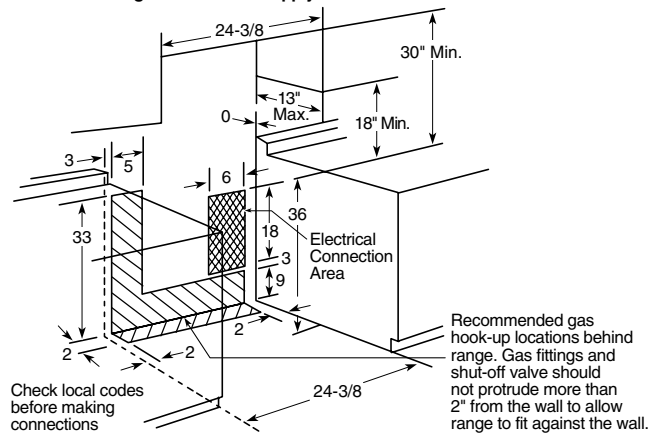
Factory set for natural gas. Can be converted to LP by a qualified technician. LP conversion kit is not required for RGA624 and RGA620 models.

\*\*Electrical rating not applicable to standing pilot model RGA624PF and RGA620PF.

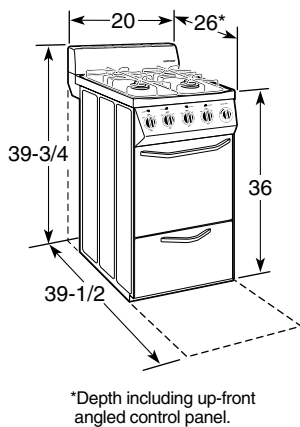
## 24" gas range dimensions and installation information (in inches)



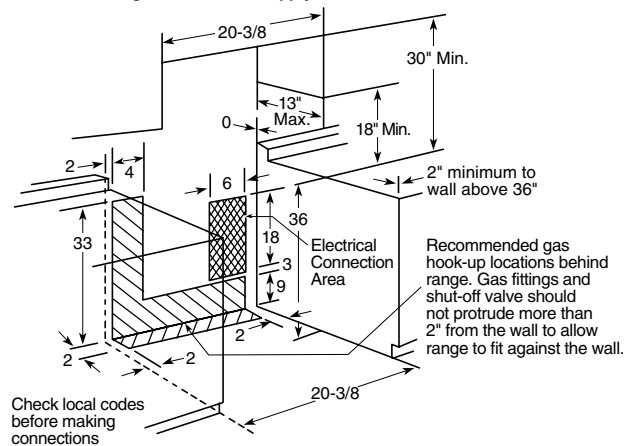
### Recommended gas and electric supply locations.



## 20" gas range dimensions and installation information (in inches)



### Recommended gas and electric supply locations.



All Hotpoint ranges are equipped with an Anti-Tip device. The installation of this device is an important, required step in the installation of the range.



## GE Profile™—High-Performance Hoods



- JV666H**
- 36" width
  - Stainless steel
  - Four-speed fan control
  - Two halogen cooktop lights (50 watts each)
  - Night-light setting
  - Vertical (round 410 CFM, rectangular 380 CFM) or rear (390 CFM) exhaust
  - 3-1/4" x 10" rectangular duct (convertible to 7" round duct)

- JV665H** (not shown)
- Same features and appearance as JV666H except available in White on white, Bisque on bisque or Black on black.



- JV635H**
- 30" width
  - Black on black (shown), Bisque on bisque or White on white
  - Four-speed fan control
  - Two halogen cooktop lights (50 watts each)
  - Night-light setting
  - Vertical (round 410 CFM, rectangular (380 CFM) or rear (390 CFM) exhaust

- JV636H** (not shown)
- Same features and appearance as JV635H except Stainless steel.

## GE Profile—Performance Hoods



- JV565H**
- 36" width
  - White on white (shown), Bisque on bisque or Black on black
  - Two-speed fan control
  - Vertical (round 250 CFM, rectangular 240 CFM) or rear (240 CFM) exhaust
  - Two halogen cooktop lights (50 watts each)
  - Convertible exhaust options (7" round, rectangular or non-vented)
  - Rectangular damper included

- JV566H** (not shown)
- 36" width
  - Same features and appearance as JV565H except Stainless steel

- JV535H** (not shown)
- 30" width.
  - Same features and appearance as JV565H except available in White on white, Bisque on bisque, or Black on black

- JV536H** (not shown)
- 30" width
  - Stainless steel

- JXDA22** Round damper accessory available at additional cost. (Models JV666/665/636/635/566/565/536/535)

## GE Deluxe Hoods



- JV367H**
- 36" width
  - White on white (shown), Bisque on bisque or Black on black
  - Rotary control
  - Three-speed fan
  - Convertible exhaust (shipped in non-vented configuration, convertible to 7" round or rectangular exhaust)
  - Rectangular damper included

- JV347H**
- 30" width
  - White on white, Bisque on bisque or Black on black

## GE Standard Hoods



- JV338H**
- 30" width
  - White on white, Bisque on bisque or Black on black
  - 3-1/4" x 10" rectangular duct
  - Rectangular damper included
  - Variable two-speed fan control
  - Cooktop light

- JN327H** (not shown)
- 30" width
  - White on white, Bisque on bisque or Black on black
  - Non-vented
  - Variable two-speed fan control
  - Cooktop light

JXDA22 round damper accessory, available at additional cost (Models JV367/347/338).

JXHC1 cord kit allows a receptacle in the cabinet over the range to accommodate either an over-the-range microwave oven or a standard hood.

Light bulbs not included

## Hotpoint Standard Hoods



- RN328H‡**
- 30" width
  - Silver metallic exterior
  - Non-vented
  - Variable two-speed fan control
  - Cooktop light
  - Removable grease filter

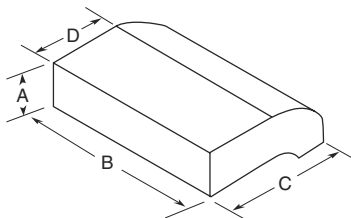
‡Available January 2005

Hoods	GE Profile						GE			Hotpoint	
	Width	High-Performance				Performance		Deluxe	Standard		Standard
		30"			JV636H	JV635H	JV536H	JV535H	JV347H	JV338H	JN327H
	36"	JV666H	JV665H			JV566H	JV565H	JV367H			
<b>Features</b>											
Two-speed fan control						•	•		•	•	•
Three-speed fan control								•			•
Four-speed fan control		•	•	•	•				•		
Damper included (rectangular)		•	•	•	•	•	•	•	•		
Optional damper accessory (round)	JXDA22	JXDA22	JXDA22	JXDA22	JXDA22	JXDA22	JXDA22	JXDA22	JXDA22		
CFM/Sone rating:											
Back rectangular	390/7.5	390/7.5	390/7.5	390/7.5	240/4.5	240/4.5	180/7.0	160/7.0			
Top round	410/7.0	410/7.0	410/7.0	410/7.0	250/4.5	250/4.5	200/6.0	170/5.5			
Top rectangular	380/7.5	380/7.5	380/7.5	380/7.5	240/5.0	240/5.0	200/6.0	170/5.5			
Removable grease filters	2†	2†	2†	2†	2††	2††	Disposable 1-Pc. Filter†††	1†††	Disposable 1-Pc. Filter†††	Disposable 1-Pc. Filter†††	Disposable 1-Pc. Filter†††
Filter size (sq. in.)	207	207	171	171	171/207	171/207	90	90	90	90	90
Cooktop light(s)*	2 Halogen (50 watt)	2 Halogen (50 watt)	2 Halogen (50 watt)	2 Halogen (50 watt)	2 Halogen (50 watt)	2 Halogen (50 watt)	1	1	1	1	1
Night light position on light switch	•	•	•	•	•	•					
3-1/4" x 10" rectangular duct	•	•	•	•	•	•	•	•	•		
7" round duct	•	•	•	•	•	•	•	•	•		
Non-vented					•	•				•	•
<b>Appearance</b>											
Color appearance**	SS	WW/CC/BB	SS	WW/CC/BB	SS	WW/CC/BB	WW/CC/BB	WW/CC/BB	WW/CC/BB	WW/CC/BB	Silver Metallic
<b>Weights &amp; Dimensions</b>											
Approx. shipping weight (lbs.)	35	35	30	30	30	30	20	17	19	19	19
<b>Power/Ratings</b>											
Current rating amps @ 120V	2.5	2.5	2.5	2.5	1.4	1.4	2.5	2.5	2.5	2.5	2.5

\*Light bulbs not furnished.  
 \*\*SS = Stainless steel, WW = White on white, CC = Bisque on bisque, BB = Black on black.  
 †WB02X11011 (30") or WB02X11012 (36") removable grease filter is available for additional cost. (Models JV666, 665, 636, 635).  
 ††WB02X10707 (30") or WB02X10708 (36") removable charcoal filter is available for additional cost. (Models JV566, 565, 536, 535).  
 †††WB02X9381 replacement grease filter and WB02X10700 replacement charcoal filter are available for additional cost. (Models JV367/347/338, JN327 and RN328).  
 Call toll-free 800.626.2002

**Dimensions (in inches)**

Model	A	B	C	D
JV666/JV665	4-3/4	35-7/8	20	12
JV636/JV635	4-3/4	29-7/8	20	12
JV536/JV535	4-3/4	29-7/8	20	12
JV566/JV565	4-3/4	35-7/8	20	12
JV367	5-1/2	35-7/8	17-1/2	12
JV347	5-1/2	29-7/8	17-1/2	12
JV338	5-1/2	29-7/8	17-1/2	12
JN327	5-1/2	29-7/8	17-1/2	12
RN328	5-1/2	29-7/8	17-1/2	12



**JXHC1 Cord Kit**

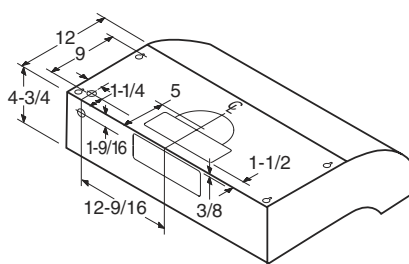
Allows a receptacle in the cabinet over the range to accommodate either an over-the-range microwave oven or a standard hood.

**Hood Dimensions (in inches)**

**1 Models JV666H, JV665H, JV636H, JV635H, JV536H, JV535H, JV566H and JV565H**

Exhaust outlet connects to 3-1/4" x 10" duct (vertically or horizontally) and 7" round (vertically). Includes rectangular damper and 7" round damper adapter.

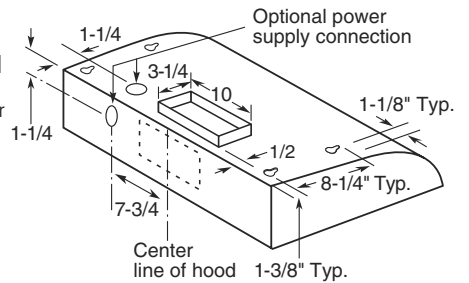
Round damper accessory, JXDA22 available at additional cost.



**2 Models JV367H\*, JV347H and JV338H**

\*JV367H, JV347H and JV338H—Refer to this drawing for rectangular exhaust option. Refer to drawing 3 for round exhaust option.

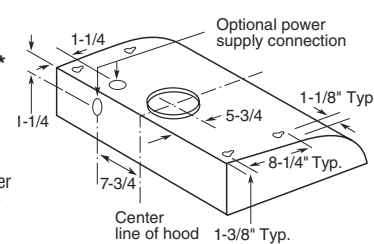
Exhaust outlet connects to 3-1/4" x 10" rectangular duct. Vent top or rear. Includes rectangular damper.



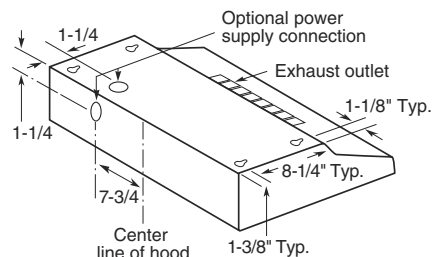
**3 Models JV367H, JV347H and JV338H\***

\*JV367H, JV347H and JV338H—Refer to this drawing for round exhaust option. Refer to drawing 2 for rectangular exhaust option.

Exhaust outlet connects to 7" diameter duct. Vent top only. Round damper accessory, JXDA22, available at additional cost.



**4 Model JN327H and RN328H**



(Models JV347, JV367, and JV338 only)



Listed by Underwriters Laboratories

**Installation Information:** Before installing, consult installation instructions packed with product for current dimensional data.

See page 83 for warranty information.

# Over-The-Range Microwave Ovens

## GE — The original Spacemaker®

For more than 25 years, the Spacemaker oven has been an indispensable part of the American kitchen. With its many innovative features and compact design, this award-winning oven saves precious time and space.



### Dual-Distribution cooking system

Circulates microwaves from the top and side of the oven for even heating and defrosting of food.



### 1-lb. Quick Defrost

Lets you thaw a pound of chicken, fish or meat up to 50% faster than our previous models. What used to take 6-1/2 minutes now defrosts in just 3 minutes.



### Sensor cooking controls

Built-in sensors measure food's moisture levels during cooking and automatically adjust time and power.



### Convenience cooking controls

Allow you to defrost, cook or reheat at the touch of a pad.



### Add 30 Seconds

Extend cooking time without the hassle of reprogramming.



### 300-CFM venting system

This powerful 300-CFM venting system quickly removes smoke and steam from your cooktop. 315-CFM venting is offered on model JVM2050.

# Hotpoint Counter Saver Plus™ Microwave Ovens

Installed over your range, a Counter Saver Plus microwave oven keeps your counter clear, while keeping up with the demands of your busy lifestyle. It has all the convenience features you need to quickly heat, reheat and defrost everyday foods, along with a built-in venting system, high-capacity exhaust fan and full-view cooktop lighting.



### Auto Defrost

Automatically sets defrosting time and power level for fast defrosting.



### Reheat

Offers the flexibility of automatically reheating a variety of popular foods.



### Popcorn

Maximizes popping without scorching pre-packaged popcorn.



### Turntable

Continually rotates food to ensure even cooking.

### Time Cook I & II

Allows you to set two time-controlled cooking functions within one program.

### Express Cook pads

A shortcut to set cook times from 1 to 6 minutes. Automatically cooks at full power with the touch of one pad.

### 10 power levels

Offer maximum cooking flexibility, from warming and reheating, to the full speed of microwave cooking at high power.

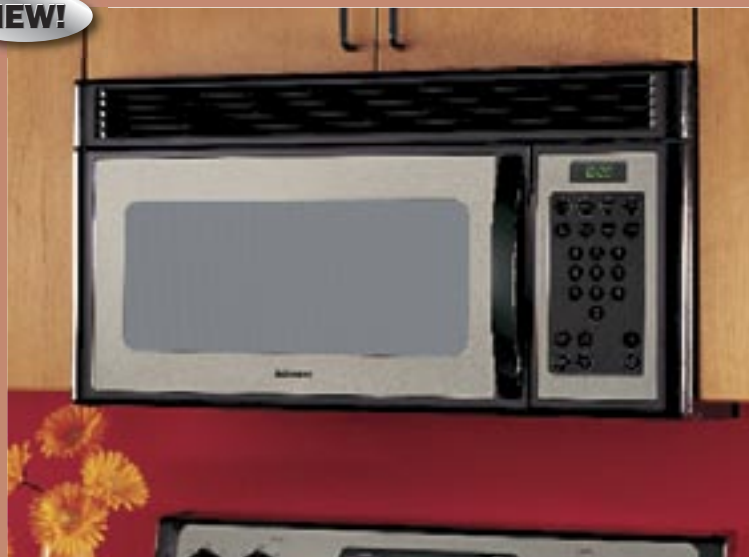
### Instant On controls

Allow quick, one-touch cooking and reheating.

### Full-View cooktop lighting

Provides better distribution of light over the entire cooking surface.

**NEW!**



### RVM1625SJ‡

- Silver metallic exterior
- 1.6 cu. ft. capacity—1000 watts\*
- Turntable
- Convenience cooking controls
- Auto and Time Defrost
- Time Cook I & II
- Full-view cooktop lighting

‡Available January 2005



\*IEC-705 Test Procedure  
Not all features available on all models.

For detailed specifications, installation information and color availability, refer to page 50.  
For warranty information, refer to page 83.



## Hotpoint Counter Saver Plus™ Microwave Ovens



### RVM1635BJ

- 1.6 cu. ft. cavity
- 1000 watts\*
- Black on black

### RVM1635WJ

- White on white (not shown)

### RVM1635CJ

- Bisque on bisque (not shown)



### RVM1435WJ

- 1.4 cu. ft. cavity
- 950 watts\*
- White on white

### RVM1435BJ

- Black on black (not shown)



## Hotpoint® Microwave Oven with Convenience Cooking

**NEW!**



Countertop Microwave Oven

### REM25SJ Silver metallic‡

- Silver metallic exterior • 1.0 cu. ft. capacity—800 watts\*
- Convenience cooking controls • Auto and Time Defrost • Optional hanging kit included • Child lock out
- Add 30 seconds

‡Available January 2005

\*IEC-705 Test Procedure  
Not all features available on all models.

For detailed specifications, installation information and color availability, refer to page 50. For warranty information, refer to page 83.

# GE Spacemaker® Over-The-Range Microwave Ovens

**These models feature** Electronic touch controls; SmartControl system with interactive display; Express Cook; Instant On controls; Add 30 Seconds; Auto/Time Defrost; 10 power levels; Turntable On/Off; Full-View cooktop lighting; Child lockout



## GE Spacemaker 2.0 Sensor Oven

### **JVM2050SJ** Stainless steel

- 2.0 cu. ft. cavity • 1100 watts\* • Dual-Distribution cooking system • Sensor cooking controls • 1-lb. Quick Defrost
- Large 14-1/4" recessed turntable • Powerful three-speed plus boost 315-CFM venting • Removable oven rack, two positions • Bilingual display (English/Spanish)

**JVM2050WH** White on white (not shown)

**JVM2050CH** Bisque on bisque (not shown)

**JVM2050BH** Black on black (not shown)



## GE Spacemaker XL1800 Sensor Oven

### **JVM1850SH** Stainless Steel

- 1.8 cu. ft. cavity • 1100 watts\* • Circuwave™ 1100 cooking system • Sensor cooking controls • Bilingual display (English/Spanish) • Powerful three-speed plus boost 300-CFM vortex venting • Removable oven rack, two positions

**JVM1850WH** White on white (not shown)

**JVM1850CH** Bisque on bisque (not shown)

**JVM1850BH** Black on black (not shown)

\*IEC-705 Test Procedure  
Not all features available on all models.

For detailed specifications, installation information and color availability, refer to page 51. For warranty information, refer to page 83.

# GE Spacemaker® Over-The-Range Microwave Ovens

**These models feature** Electronic touch controls; SmartControl system with interactive display; Express Cook; Instant On controls; Add 30 Seconds; Auto/Time Defrost; 10 power levels; Turntable On/Off; Full-View cooktop lighting; Child lockout



GE Spacemaker Sensor/Convenience Oven

**JVM1650SH** Stainless Steel

- 1.6 cu. ft. cavity • 1000 watts\* • CircuWave cooking system • Sensor and convenience cooking controls
- Turntable On/Off • Removable oven rack, two positions

**JVM1650WH** White on white (not shown)

**JVM1650CH** Bisque on bisque (not shown)

**JVM1650BH** Black on black (not shown)

**JVM1640SJ** Stainless Steel (not shown)

- Convenience cooking controls only
- Removable oven rack

**JVM1640WJ** White on white (not shown)

**JVM1640CJ** Bisque on bisque (not shown)

**JVM1640BJ** Black on black (not shown)



GE Spacemaker Convenience Oven

**JVM1440SH** Stainless steel

- 1.4 cu. ft. cavity • 950 watts\*
- Turntable On/Off • Removable oven rack

**JVM1440WH** White on white (not shown)

**JVM1440BH** Black on black (not shown)

**JVM1430WD** White on white (not shown)

- Turntable

**JVM1430BD** Black on black (not shown)

\*IEC-705 Test Procedure  
Not all features available on all models.

For detailed specifications, installation information and color availability, refer to page 51. For warranty information, refer to page 83.

# GE® Microwave Ovens with Sensor Cooking

These models feature Sensor cooking controls; Scrolling display; Auto/Time Defrost; Express Cook; Add 30 Seconds; Instant On controls; Timer On/Off; Turntable



GE Sensor Oven

**JE1860SH** Stainless steel

- Extra-large 1.8 cu. ft. cavity • 1100 watts\*
- Turntable on/off • Optional trim kit\*\*

**JE1860WH** White on white (not shown)

**JE1860CH** Bisque on bisque (not shown)

**JE1860BH** Black on black (not shown)



GE Sensor Oven

**JE1460BF** Black on black

- Family-size 1.4 cu. ft. cavity
- 1150 watts\* • Recessed turntable

**JE1460WF** White on white (not shown)



GE Sensor Oven

**JE1160WD** White on white

- Mid-size 1.1 cu. ft. cavity • 1100 watts\*

**JE1160BD** Black on black (not shown)

\*IEC-705 Test Procedure

\*\*Optional trim kit—Custom Trim Kits available in both 27" and 30" configurations at an additional cost.

For detailed specifications, installation information and color availability, refer to page 52. For warranty information, refer to page 83.

Not all features available on all models.



## GE® Microwave Ovens with Cooking Capability

These models feature Convenience cooking controls; Turntable; Auto/Time Defrost; Electronic touch controls; Electronic digital display with clock; Express Cook; Child lockout



GE Oven

**JES1384SF** Stainless steel

- 1.3 cu. ft. capacity, 1000 Watts\*
- Top browning capability
- Convenience cooking controls
- Auto and Time Defrost
- Instant On controls
- Timer On/Off
- Electronic touch controls



GE® Convection Oven

**JES1290WJ** White on white

- 1.2 cu. ft. capacity, 1000 Watts\*
- Combination convection/microwave cooking
- Double grill technology
- Removable oven rack
- Convenience cooking controls
- Auto and Time Defrost
- Add 30 Seconds

**JES1290BJ** Black on black (not shown)



GE Oven

**JES1288SH** Stainless steel

- 1.2 cu. ft. capacity, 1000 Watts\*
- Double grill technology
- Removable oven rack
- Convenience cooking controls
- Auto and Time Defrost
- Control dial
- Turntable

\*IEC-705 Test Procedure

\*\*Optional trim kit—Custom Trim Kits available in both 27" and 30" configurations at an additional cost.

For detailed specifications, installation information and color availability, refer to page 52. For warranty information, refer to page 83.

Not all features available on all models.



# GE Microwave Ovens with Convenience Cooking

**These models** feature cooking controls; Scrolling display; Auto/Time Defrost; Express Cook; Add 30 Seconds; Instant On controls; Timer On/Off; Turntable



GE Oven

- JES1142SJ** Stainless steel
- 1.1 cu. ft. capacity, 1100 Watts\*
  - Convenience cooking controls
  - Auto and Time Defrost • Instant On controls • Turntable • Child lockout
  - Delay Start



GE Oven

- JES1039WJ** White on white
- 1.0 cu. ft. capacity, 1100 Watts\* • Convenience cooking controls • Auto and Time Defrost • Instant On controls • Turntable • Child lockout • Add 30 Seconds
- JES1039BJ** Black on black (not shown)

\*IEC-705 Test Procedure

\*\*Optional trim kit—Custom Trim Kits available in both 27" and 30" configurations at an additional cost.

For detailed specifications, installation information and color availability, refer to pages 52. For warranty information, refer to page 83.

Not all features available on all models.

## GE® Microwave Ovens with Convenience Cooking

**These models** feature Convenience cooking controls; Turntable; Auto/Time Defrost; Electronic touch controls; Electronic digital display with clock; Express Cook; Child lockout; Optional undercabinet mounting kit†



Model shown with trim kit\*\*



GE Spacemaker II™ Oven

**JEM25WF** White on white

- Mid-size 1.0 cu. ft. cavity • 800 watts\*
- Turntable on/off • Optional trim kit\*\*

**JEM25BF** Black on black (not shown)



GE Convenience Oven

**JE740WH** White on white

- Compact .7 cu. ft. cavity • 700 watts\*
- Optional trim kit\*\*

**JE740BH** Black on black (not shown)

\*IEC-705 Test Procedure

\*\*Optional trim kit—Custom Trim Kits available in both 27" and 30" configurations at an additional cost.

†Optional undercabinet mounting kit available at an additional cost.

For detailed specifications, installation information and color availability, refer to page 53. For warranty information, refer to page 83.

Not all features available on all models.

# GE Microwave Oven Trim and Hanging Kits



## Deluxe Built-In Trim Kit for 1.8 cu. ft. Microwave Ovens

Trim kits allow installation of the 1.8 cu. ft. countertop microwave oven in a wall or cabinet alone, or over a GE 27" or 30" single electric wall oven as shown.

### 30" Deluxe Trim Kits for Models JE1860

JX1830SB—Stainless Steel, JX1830WB—White  
JX1830CB—Bisque, JX1830BB—Black

### 27" Deluxe Trim Kits for Models JE1860

JX1827SB—Stainless Steel, JX1827WB—White  
JX1827CB—Bisque, JX1827BB—Black



## Built-In Trim Kit for 1.0 cu. ft. Microwave Ovens

For a custom built-in appearance, this kit allows built-in installation of the Spacemaker® II microwave oven into a wall or cabinet alone.

### Trim Kits for Models JEM25

JX827WN—White  
JX827BN—Black



## Hanging Kit for .7 and 1.0 cu. ft. Microwave Ovens

This hanging kit allows installation under a cabinet, freeing up valuable counter space. A mounting template provides all the necessary measurements for installation on practically any wood or metal cabinet.

### Hanging Kit for Models JE740, JEM25, REM25

Pub. No. 4-A019

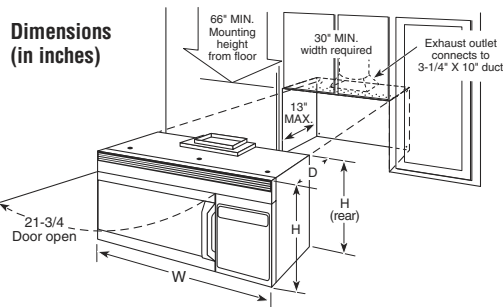
For warranty information, refer to page 83.

Not all features available on all models.

# Hotpoint® Microwave Oven Specifications

Counter Saver Plus™ microwave oven	Hotpoint		
	RVM1625SJ	RVM1635WJ RVM1635CJ RVM1635BJ	RVM1435WJ RVM1435BJ
<b>Capacity</b>			
Oven cavity (cu. ft.)	1.6	1.6	1.4
<b>Features</b>			
Watts (IEC-705 Test Procedure)	1000	1000	950
Power levels	10	10	10
Electronic touch controls	●	●	●
Interactive display system	●	●	●
Electronic scrolling digital display	●	●	●
Clock and AM/PM Pad	●	●	●
Variable scroll speed	●	●	●
Concurrent programming	●	●	●
Clock	●	●	●
Display On/Off	●	●	●
Turntable	●	●	●
Time Cook	I & II	I & II	I & II
Auto/Time Defrost	●	●	●
Convenience controls	●	●	●
Popcorn pad	●	●	●
Beverage pad	●	●	●
Reheat pad	●	●	●
Express cook pads (1-6 minutes)	●	●	●
Instant On controls	●	●	●
Add 30 seconds	●	●	●
Kitchen timer	●	●	●
Cooking complete reminder	●	●	●
Delay Start/Reminder	● / ●	● / -	● / -
Timer On/Off	●	●	●
Child lockout	●	●	●
Full-View cooktop lighting	●	●	●
High-capacity exhaust fan	300-CFM	200-CFM	200-CFM
Easy-mount installation	●	●	●
<b>Appearance</b>			
Door color	Silver Metallic	White/Bisque/Black	White/Black
Case color	Black	White/Bisque/Black	White/Black
<b>Weights &amp; Dimensions</b>			
Overall oven interior dimension	20-1/4 x 9-1/4 x 14-13/32	20 x 9-3/8 x 14-2/5	19-1/3 x 9-3/8 x 13-15/16
Approx. shipping weight (lbs.)	67	67	67
<b>Power/Ratings</b>			
2450 Frequency (MHz)	●	●	●
Electrical input			
Watts @120V	1480	1500	1500
Amps	15	13	13
<b>Accessories</b>			
Recirculating charcoal filter kit (optional)	JX81A	JX81J	JX81J
Filler panel kit (optional)	JX48BL		
<b>Warranty</b>			
Full one-year in-home warranty*	●	●	●
Limited four-year magnetron warranty* (5 years total)	●	●	●

\*See written warranty for details.



Model	Overall Exterior Dimensions (in inches)			
	W	D	H	H (Rear)
RVM1625	29-7/8	15-1/4	16	16-13/32
RVM1635	29-7/8	15-3/4	15-3/4	16-1/2
RVM1435	29-7/8	15-3/4	15-3/4	16-1/2

**Important:** When installing the Counter Saver Plus microwave oven over a range, allow minimum of 2" from bottom of Counter Saver Plus microwave oven to top of range backguard to allow for removal of light covers.

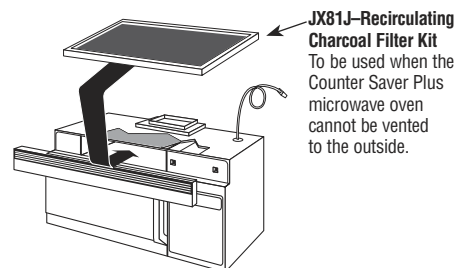
**Installation instructions:** Before installing, consult installation instructions packed with product for current dimensional data.

Hotpoint microwave oven	Hotpoint REM25SJ
<b>Capacity</b>	
Oven cavity (cu. ft.)	1.0
<b>Features</b>	
Watts (IEC-705 Test Procedure)	800
Electronic touch controls	●
Electronic digital display w/clock	●
Convenience controls	
Beverage	●
Cook	●
Popcorn	●
Reheat	●
Snacks	●
Express Cook	●
Instant On controls	●
Time cook I & II	●
Add 30 Seconds	●
Auto/Time Defrost	●
Power levels	10
Turntable On/Off	●
Kitchen timer	●
Cooking complete reminder	●
Delay Start/Reminder	●
Child lockout	●
<b>Appearance</b>	
Color appearance	Silver Metallic
Door color	Silver Metallic
Case color	Black
<b>Weights &amp; Dimensions</b>	
Approx. shipping weight (lbs.)	40
Cavity	16-1/2 x 8-1/16 x 12-15/32
WxHxD (in inches) Exterior **	23-25/32 x 11-3/16 x 12-9/32
<b>Power/Ratings</b>	
2450 Frequency (MHz)	●
Electrical input	
Watts @ 120V	1300
Amperage	11.5
<b>Accessory</b>	
Cooking guide label	●
Hanging kit (Pub. No. 4-A019)	Included
Right-angle plug	●
<b>Warranty</b>	
Full one-year warranty*	In-Home
Limited nine-year Magnetron warranty* (10 years total)	5-Year

\*See written warranty for details.

\*\*Exterior dimensions: height includes feet, depth does not include handle.

## Optional accessories (Available at additional cost)



## Ventilation options

The Counter Saver Plus microwave oven is designed for adaptation to the following three types of ventilation:

### Outside Exhaust (Vertical)

### Outside Exhaust (Horizontal)

### Recirculating (Non-vented ductless—Delivered from factory in the vertical exhaust position)

**Note:** Before installing, consult installation instructions for current dimensional data on these three types of ventilation.



See page 83 for warranty information.

# GE Spacemaker® Over-The-Range Microwave Oven Specifications

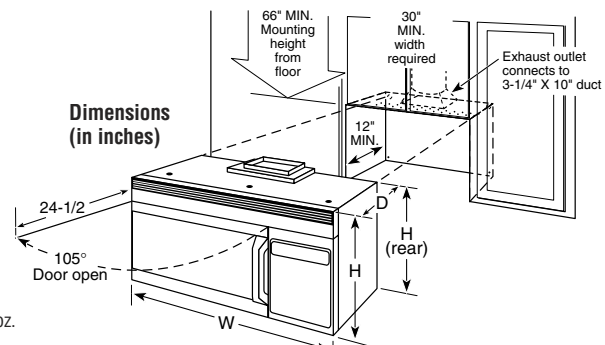
GE Spacemaker over-the-range microwave ovens	GE®					
	JVM2050SJ JVM2050WH JVM2050CH JVM2050BH	JVM1850SH JVM1850WH JVM1850CH JVM1850BH	JVM1650SH JVM1650WH JVM1650CH JVM1650BH	JVM1640SJ JVM1640WJ JVM1640CJ JVM1640BJ	JVM1440SH JVM1440WH JVM1440BH	JVM1430WD JVM1430BD
<b>Capacity</b>						
Oven cavity (cu. ft.)	2.0	1.8	1.6	1.6	1.4	1.4
<b>Features</b>						
Watts (IEC-705 Test Procedure)	1100	1100	1000	1000	950	950
Electronic touch controls	●	●	●	●	●	●
SmartControl system w/interactive display	●	●	●	●	●	●
Scrolling display	2-Line	2-Line	1-Line	1-Line	1-Line	
Clock and AM/PM pad	●	●	●	●	●	12 Hour, No AM/PM
Variable scroll speed	●	●	●	●	●	
Help pad	●	●	●	●	●	
Concurrent programming	●	●	●	●	●	●
Bilingual display (English/Spanish)	●	●	●	●	●	
Sensor controls						
Beverage	●	●	●			
Popcorn	●	●	●			
Potatoes	●	●	●			
Reheat	●	●	●			
Vegetables	●	●	●			
Convenience controls						
Beverage				●	●	●
Cook			●	●		
Popcorn				●	●	●
Reheat				●	●	●
Snacks						
Express Cook (1-6 min.)	●	●		●	●	●
Instant On controls	●	●	●	●	●	●
Time cook	I & II	I & II	I & II	I & II	I & II	I & II
Add 30 Seconds	●	●	●	●	●	●
Auto/Time Defrost	●/●	●/●	●/●	●/●	●/●	●/●
1-lb. Quick Defrost	●	●				
Power levels	10	10	10	10	10	10
Delay Start/Reminder	●	●	●	●	●	●
Cooking system	Dual-distribution	CircuWave™ 1100	CircuWave	CircuWave	CircuWave	CircuWave
Turntable	Recessed	Recessed				
Turntable On/Off	●	●	●	●	●	●
Interior lighting	Halogen	Halogen	●	●	●	●
Full-View cooktop lighting	Halogen		●	●	●	●
Night light	●	●	●	●	●	●
Programmable night light	●	●	●	●	●	●
Timer On/Off	●	●	●	●	●	●
Cooking complete reminder	●	●	●	●	●	●
Child lockout	●	●	●	●	●	●
300-CFM exhaust fan	3-Speed plus Boost 315-CFM	3-Speed plus Boost	2-Speed	2-Speed	2-Speed	2-Speed
<b>Appearance</b>						
Color appearance*	SS/WW/CC/BB	SS/WW/CC/BB	SS/WW/CC/BB	SS/WW/CC/BB	SS/WW/BB	WW/BB
Case color	Black/White/Bisque/Black	Black/White/Bisque/Black	Black/White/Bisque/Black	Black/White/Bisque/Black	Black/White/Black	White/Black
<b>Weights &amp; Dimensions</b>						
Overall oven WxHxD (in inches)	21-9/16 x 10-9/16 x 14-13/16	21-29/32 x 9-1/2 x 14-19/32	20-1/4 x 9-1/4 x 14-13/32	20-31/32 x 9-3/8 x 14-3/16	18-13/16 x 9-1/4 x 14-13/32	18-13/16 x 9-1/4 x 14-13/32
Approx. shipping weight (lbs.)	72	68	67	67	67	67
<b>Power/Ratings</b>						
2450 Frequency (MHz)	●	●	●	●	●	●
Electrical input						
Watts	1480	1480	1480	1600	1480	1480
@ 120V						
Amperage	15	15	15	15	15	15
<b>Accessories</b>						
Cooking guide label	●	●	●	●	●	●
Oven rack(s)	1 (2 positions)	1 (2 positions)	1 (2 positions)	1	1	
Recirculating charcoal filter kit (optional)	JX81H	JX81B	JX81A	JX81D	JX81A	JX81A
Filler panel kit (optional)	JX52BL/WH	JX52BL/WH	JX48BL/WH	JX48BL/WH	JX46BL/WH	JX46BL/WH
<b>Warranty</b>						
Full one-year in-home warranty†	●	●	●	●	●	●
Limited nine-year magnetron warranty† (10 years total)	●	●	●	●	●	●

\*SS = Stainless steel, WW = White on white, CC = Bisque on bisque, BB = Black on black.

\*\*Exterior dimensions: depth excludes handle.

†See warranty for details.

Model	Overall Exterior Dimensions (in inches)			
	W	D	H	H (Rear)
JVM2050	29-7/8	15-7/16	16-11/32	16-13/32
JVM1850	29-7/8	15-1/4	16	16-13/32
JVM1650	29-7/8	15-1/4	16	16-13/32
JVM1640	29-7/8	15-5/32	15-5/8	16-3/16
JVM1440	29-7/8	15-1/4	16	16-13/32
JVM1430	29-7/8	15-1/4	16	16-13/32



**Note:** Convenience popcorn pad designed for use with 3 package sizes—3.5, 3.0 and 1.75 oz.

See page 83 for warranty information.

**Installation instructions:** Before installing, consult installation instructions packed with product for current dimensional data.



# GE® Microwave Oven Specifications

GE microwave ovens		GE							
		Extra-Large		Family-Size					
		JE1860SH JE1860WH JE1860CH JE1860BH	JE1460WF JE1460BF	JES1384SF	JES1290WJ JES1290BJ	JES1288SH	JE1160WD JE1160BD	JES1142SJ	JES1039WJ JES1039BJ
<b>Capacity</b>		1.8	1.4	1.3	1.2	1.2	1.1	1.1	1.0
Oven cavity (cu. ft.)		1.8	1.4	1.3	1.2	1.2	1.1	1.1	1.0
<b>Features</b>									
Watts (IEC-705 Test Procedure)		1100	1150	1000	1000	1000	1100	1100	1100
Cooking element				Top-1100W Tactile Switches/Dial	Top-1200W; Bottom-400W	Top-1200W; Bottom-400W			
Electronic touch controls		●	●		●	●	●	●	●
Scrolling display		●	●		●	●			
Help Pad		●	●		●	●	●		
Demo mode		●							
Electronic digital display w/clock		●	●				●		
Display On/Off		●				●			
Convection Cook controls					●				
Combination Cook					MW & Convection				
Combination Roast					MW & Grill	Grill			
Grill controls					●	●			
Sensor controls									
Popcorn		●	●			●			
Beverage		●	●						
Reheat		●	●				●		
Vegetable		●	●				Fresh/Frozen		
Potato		●	●				●		
Chicken/Fish		●	●				-/●		
Convenience controls									
Popcorn				●	●		●	●	●
Beverage				●	●		●	●	●
Reheat				●	●		●	●	●
Cook				●			●	●	●
Pizza							●	●	●
Express Cook		1-6 min.	1-6 min.	30 sec.	1-6 min.	1-6 min.	30 sec.	Start pad	1-6 min.
Instant On controls		●	●	●	●	●	●	●	●
Time cook		I & II	I & II	●	I & II	●	I & II	I & II	I & II
Add 1 Minute		●	●	●	●	●	●	●	●
Add 30 Seconds		●	●	●	●	●	●	●	●
Auto/Time Defrost		●	●	●	●	●	●	●	●
Power levels		10	10	10	10	10	10	10	10
Turntable		On/Off	Recessed	●	●	●	●	●	●
Kitchen timer		Timer On/Off	Timer On/Off	●	Timer On/Off	●	●	●	●
Delay Start/Reminder		●	●	●	●	●	●	●	●
Cooking complete reminder		●	●	●	●	●	●	●	●
Child lockout		●	●	●	●	●	●	●	●
<b>Appearance</b>									
Color appearance*		SS/WW/CC/BB	WW/BB	SS	WW/BB	SS	WW/BB	SS	WW/BB
Case color		Black / White / Bisque / Black	White Black	Stainless steel	White Black	Stainless steel	White Black	Stainless steel	White Black
Door color		SS* / White Bisque / Black	White Black	Stainless steel	White Black	Stainless steel	White Black	Stainless steel	White Black
<b>Weights &amp; Dimensions</b>									
Approx. shipping weight (lbs.)		48	45	40	54	49	37	40	38
Cavity		17-1/16 x 9-3/4 x 18-5/16	14-13/16 x 9-7/8 x 16	15 x 9-11/16 x 15-1/4	14-1/2 x 9-5/8 x 15-5/8	14-1/2 x 9-5/8 x 15-5/8	13-11/16 x 8-1/2 x 14-15/16	14 x 9 x 14-11/16	14-3/16 x 9-3/8 x 15
WxHxD (in inches)		23-7/8 x 13-9/16 x 18-13/16	21-7/8 x 12-5/8 x 17-1/4	22-3/16 x 12-1/2 x 17-3/8	22 x 13-1/2 x 20-1/8	22 x 13-1/2 x 17-1/2	21-1/4 x 11-7/8 x 15-7/8	21-1/4 x 11-7/8 x 15-3/4	20-1/8 x 12 x 15-1/8
<b>Power/Ratings</b>									
2450 Frequency (MHz)		●	●	●	●	●	●	●	●
Electric input		1550	1600	1530	1500	1800	1500	1500	1560
@ 120V		13.6	13.5	13	13	15	13	13	14
<b>Accessories</b>									
Cooking guide label		●	●	●	●	●	●	●	●
Optional built-in kit		●							
Oven rack				●	●				
<b>Warranty</b>									
Full one-year warranty***		In-Home	Carry-In	In-Home	In-Home	In-Home	Carry-In	Carry-In	Carry-In
Limited nine-year magnetron warranty*** (10 years total)		●	●	5-Year	5-Year	5-Year	5-Year	5-Year	5-Year

\*SS = Stainless Steel, WW = White on white, CC = Bisque on bisque, BB = Black on black

\*\*Exterior dimensions: height includes feet, depth does not include handle.

\*\*\*See written warranty for details.

## 30" Deluxe Trim Kit for 1.8 cu. ft. Microwave Ovens

This trim kit allows for built-in installation of the 1.8 cu. ft. microwave oven in a wall or cabinet alone, or over a GE 30" single electric wall oven.

### 30" Deluxe Trim Kits for Models JE1860

- JX1830SB—Stainless Steel
- JX1830WB—White
- JX1830CB—Bisque
- JX1830BB—Black

Model	"A"	30" Deluxe Trim Kit
JE1860SH	29-3/4"	JX1830SB
JE1860WH	29-3/4"	JX1830WB
JE1860CH	29-3/4"	JX1830CB
JE1860BH	29-3/4"	JX1830BB

## 27" Deluxe Trim Kit for 1.8 cu. ft. Microwave Ovens

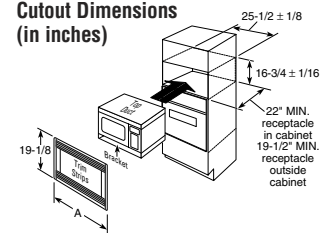
The 27" deluxe trim kit allows a 1.8 cu. ft. microwave oven to be built into a wall or cabinet alone, or over a GE 27" single electric wall oven for a complete one-piece, built-in, integrated appearance.

### 27" Deluxe Trim Kits for Models JE1860

- JX1827SB—Stainless Steel
- JX1827WB—White
- JX1827CB—Bisque
- JX1827BB—Black

Model	"A"	27" Deluxe Trim Kit
JE1860SH	26-7/8"	JX1827SB
JE1860WH	26-7/8"	JX1827WB
JE1860CH	26-7/8"	JX1827CB
JE1860BH	26-7/8"	JX1827BB

## Cutout Dimensions (in inches)



# GE Microwave Oven Specifications

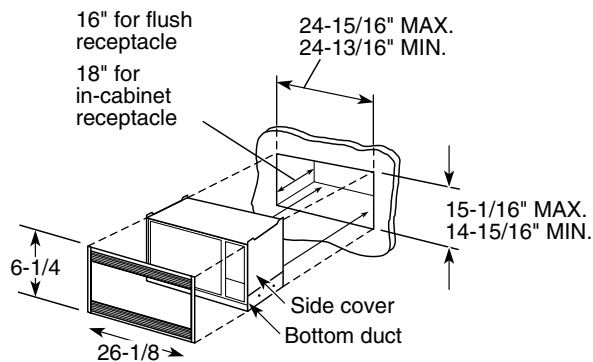
GE Spacemaker II™ microwave ovens		GE
		JEM25WF JEM25BF
<b>Capacity</b>		
Oven cavity (cu. ft.)		1.0
<b>Features</b>		
Watts (IEC-705 Test Procedure)		800
Electronic touch controls		●
Electronic digital display w/clock		●
Convenience controls	Beverage	●
	Cook	●
	Popcorn	●
	Reheat	●
	Snacks	●
Express Cook		●
Instant On controls		●
Time cook I & II		●
Add 30 Seconds		●
Auto/Time Defrost		●
Power levels		10
Turntable On/Off		●
Kitchen timer		●
Cooking complete reminder		●
Delay Start/Reminder		●
Child lockout		●
<b>Appearance</b>		
Color appearance		White on white Black on black
Door color		White Black
Case color		White Black
<b>Weights &amp; Dimensions</b>		
Approx. shipping weight. (lbs.)		40
	Cavity	16-1/2 x 8-1/16 x 12-15/32
WxHxD (in inches)	Exterior†	23-25/32 x 11-3/16 x 12-9/32
<b>Power/Ratings</b>		
2450 Frequency (MHz)		●
Electrical input	Watts	1300
@ 120V	Amperage	11.5
<b>Accessory</b>		
Cooking guide label		●
Hanging kit (Pub. No. 4-A019)*		Optional
Optional built-in kit		JX827WN JX827BN
Right-angle plug		●
<b>Warranty</b>		
Full one-year warranty**		In-Home
Limited nine-year Magnetron warranty** (10 years total)		●

\*Pub. No. 4-A019 is available at additional cost.

\*\*See written warranty for details.

†Exterior dimensions: height includes feet, depth does not include handle.

## Cut-Out Dimensions (in inches)



## Built-In Trim Kit For 1.0 Cu. Ft. Microwave Ovens

For a custom built-in appearance, this kit allows built-in installation of the Spacemaker II microwave oven into a wall or cabinet alone, and is U.L.-approved for installation over a GE single electric wall oven. This kit should not be installed over a gas wall oven.

## Trim Kits for Model JEM25

JX827WN—White, JX827BN—Black

See page 83 for warranty information.

GE microwave ovens		GE
		JE740WH JE740BH
<b>Capacity</b>		
Oven cavity (cu. ft.)		.7
<b>Features</b>		
Watts (IEC-705 Test Procedure)		700
Electronic touch controls		●
Electronic digital display w/clock (LED)		●
Convenience controls	Beverage	●
	Cook	●
	Popcorn	●
	Reheat	●
	Snacks	●
Express Cook		●
Instant On controls		●
Time cook		I & II
Add 30 Seconds		●
Auto/Time Defrost		●
Power levels		10
Turntable		●
Kitchen timer		●
Delay Start/Reminder		●
Cooking complete reminder		●
Child lockout		●
<b>Appearance</b>		
Color appearance		White on white Black on black
Door color		White Black
Case color		White Black
<b>Weights &amp; Dimensions</b>		
Approx. shipping weight (lbs.)		33
	Cavity	13 x 7-1/16 x 13
WxHxD (in inches)	Exterior*	19-1/4 x 10-13/16 x 13-9/16
<b>Power/Ratings</b>		
2450 Frequency (MHz)		●
Electrical input	Watts	1150
@ 120V	Amperage	10.5
<b>Accessory</b>		
Cooking guide label		●
Hanging kit (Pub. No. 4-A019)**		Optional
Right-angle plug		●
<b>Warranty</b>		
Full one-year warranty†		Carry-In
Four-year magnetron warranty† (Five years total)		Nine-Year (10 years total)

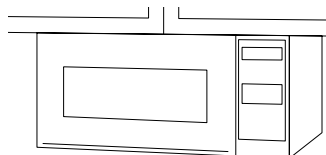
\*Exterior dimensions: height includes feet.

\*\*Pub. No. 4-A019 is available at additional cost.

†See written warranty for details.

## Undercabinet Mounting Kit Pub. No. 4-A019 For Spacemaker II and Microwave Oven Models JEM25 and JE740 (Available at additional cost)

Not to be used over a thermal oven.



## Undercabinet Installation

Install Spacemaker II and microwave ovens in just a few easy steps with the mounting template, which provides all the necessary measurements. These microwave ovens can be installed on practically any wood or metal cabinets. Installation may vary depending on cabinets.

**Note:** 120V, 60-cycle, grounded power receptacle location optional on back within cabinet opening.

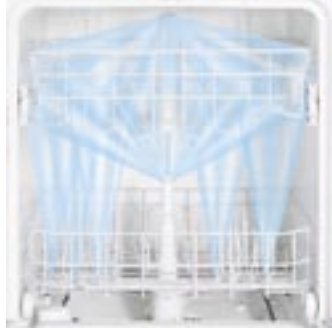
**Installation instructions:** Before installing, consult installation instructions packed with product for current dimensional data.

# Hotpoint Dishwashers

*Hotpoint dishwashers offer quiet performance, capacity and quality at an exceptional value*



**Hotpoint dishwashers deliver outstanding performance...quietly.** Wash performance, quiet operation and dependability make Hotpoint a great choice.



**Power Wash II system**  
Provides three-level wash action with powerful water jets to effectively remove food soils.



**ENERGY STAR®-qualified**  
Hotpoint dishwashers\* are certified to exceed ENERGY STAR guidelines for energy efficiency.  
\*Excluding HDA1000G



**Hot PreWash option**  
Preheats water before the main wash cycle for excellent performance time after time.



**Self-cleaning filter**  
Effectively traps and removes food soils. No hand-cleaning of any filter by consumer is necessary.



**QuietPower™ motor**  
Runs quietly and efficiently to keep the kitchen peaceful.

**NEW!**



- HDA3740GSA‡**
- Silver metallic exterior
  - Trimless door design
  - Power Wash II system
  - Hot PreWash option
  - QuietDesign™ sound package
  - TouchTap™ controls
  - 1-5-hour Delay Start
  - Super upper rack
  - Deluxe lower rack



‡Available January 2005

High quality features for performance and convenience



HDA3700GBB



**HDA3700GBB**

- Trimless door design
- Power Wash II system
- Hot PreWash option
- QuietDesign™ sound package
- TouchTap™ controls
- 1–5-hour Delay Start
- Super upper rack
- Deluxe lower rack
- 6 cycles/31 options
- Pots & Pans cycle
- Heavy Wash cycle
- Water Saver cycle
- Plate Warmer cycle
- Hi-Temp Wash
- Deluxe silverware basket

HDA3700GWW – White on white  
 HDA3700GCC – Bisque on bisque



HDA3400GBB



**HDA3400GBB**

- Trimless door design
- Power Wash II system
- Hot PreWash option
- QuietPower motor
- Pushbutton controls
- Super upper rack
- Deluxe lower rack
- 5 cycles/22 options
- Pots & Pans cycle
- Water Saver cycle
- Plate Warmer cycle
- Hi-Temp Wash
- Deluxe silverware basket

HDA3400GWW – White on white  
 HDA3400GCC – Bisque on bisque



HDA2000GBB



**HDA2000GBB**

- Trimless door design
- Deluxe lower rack
- Hot PreWash option
- QuietPower motor
- 4 cycles/9 options
- Heavy Wash cycle
- Water Saver cycle
- Rinse Only cycle
- Heated Dry
- Deluxe silverware basket

HDA2000GWW – White on white  
 HDA2000GCC – Bisque on bisque

Available for contract sales only.



HDA1000GWH

**HDA1000GWH**

- Trimless door design
- Deluxe lower rack
- Hot PreWash option
- QuietPower motor
- 1 cycle/4 options
- Durable tub and door liner
- Normal Wash cycle
- Heated Dry
- Deluxe silverware basket

White door with black control panel.

For detailed specifications, installation information and color availability, refer to page 58. For warranty information, refer to page 83.



## GE Spacemaker® Under-the-Sink Dishwashers



Installed under a single sink



Installed under a cooktop



GE Under-the-Sink Dishwasher

**GSM2100GWW** White on white

**GSM2100GCC** Bisque on bisque

**GSM2100GBB** Black on black (not shown)

- Trimless door design • 5 cycles/12 options • Two wash levels
- Pots & Pans cycle • Normal Wash cycle • Short Wash cycle (on dial)
- Plate Warmer cycle (on dial) • Rinse Only cycle (on dial) • HotStart™ option
- PermaTuf® tub • Spacemaker upper rack • Deluxe lower rack
- Deluxe silverware basket • QuietPower™ motor

Note: Under-the-sink dishwashers can be installed under GE cooktop models JP201C and JP202D. Refer to cooktop installation instructions.



## GE Spacemaker 18" Built-in Dishwasher with Stainless Interior



**GSM1800JBB** Black on black

**GSM1800JWW** White on white (not shown)

- Full-length, flat door • 7 cycles/12 options • Bright annealed stainless steel interior
- Removable upper rack • Pots & Pans cycle
- Heated Dry option • China/Crystal cycle • Plate Warmer cycle
- Nylon racks



## GE Nautilus™ Convertible Dishwashers

These models feature ENERGY STAR-qualified; PowerScrub™ wash system; Five wash levels; Piranha™ hard food disposer; Pots & Pans cycle; Normal Wash cycle; Short Wash cycle; Plate Warmer cycle; Rinse Only cycle; Heated Dry option; Hi-Temp Wash option; HotStart option; Super upper rack; Deluxe lower rack; QuietDesign™ sound package; QuietPower motor; Candlelight woodgrain laminate top; Trimless door design.



Portable now



Built-in later



**GSC3400JWW** White on white

**GSC3400JBB** Black on black (not shown)

- TouchTap™ controls • 7 cycles/39 options • China/Crystal cycle
- 1-6-hour Delay Start • Deluxe split silverware basket
- Rinse aid dispenser with indicator



**GSC3200JBB** Black on black

**GSC3200JWW** White on white (not shown)

- Pushbutton controls • 5 cycles/22 options
- Deluxe silverware basket



For detailed specifications, installation information and color availability, refer to pages 59-60. For warranty information, refer to page 83.



# GE Disposall®—Food Waste Disposers

These models feature stainless steel; dual-swivel; anti-jam grinding blades; Manual reset overload protector; Removable splash guard (continuous feed models only); Drain connector kit.



## Continuous feed disposers

### GFC1020F

- Heavy-duty 1 HP motor • 2800-RPM grinding action • Super capacity
- QuietPower III sound insulation package • EZ-Mount installation
- Stainless steel sink flange • Sink stopper • One-year full replacement plus six-year limited warranty\*

### GFC720F

- Heavy-duty 3/4 HP motor • 2700-RPM grinding action • Super capacity
- QuietPower II sound insulation package • EZ-Mount installation
- Stainless steel sink flange • Sink stopper • One-year full replacement plus four-year limited warranty\*

### GFC530F

- Heavy-duty 1/2 HP motor • 2600-RPM grinding action • Extra-large capacity • QuietPower I sound insulation package • EZ-Mount installation
- Stainless steel sink flange • Sink stopper • One-year full replacement plus two-year limited warranty\*

### GFC535F

Similar to GFC530 but has attached line cord

### GFC520F

- Heavy-duty 1/2 HP motor • 2600-RPM grinding action • Large capacity
- Standard sound insulation package • EZ-Mount installation • Stainless steel sink flange • Sink stopper • One-year full replacement plus one-year limited warranty\*

### GFC525F

Similar to GFC520 but has attached line cord

### GFC320F

- 1/3 HP motor • 1900-RPM grinding action • Large capacity • Standard sound insulation package • EZ-Mount installation • Stainless steel sink flange • Sink stopper • One-year full replacement warranty\*

### GFC325F

Similar to GFC320 but has attached line cord

## Batch feed disposer

### GFB760F

- Heavy-duty 3/4 HP motor • 2700-RPM grinding action • Super capacity
- QuietPower II sound insulation package • EZ-Mount installation
- Stainless steel sink flange • Sink stopper • One-year full replacement plus four-year limited warranty\*

\*See written warranty for details

## GE Profile™ Built-In Compactors



### GCG1540FSS Stainless steel

- Built-in only • 1.4 cu. ft. capacity
- 1/3-HP motor • Removable key lock
- Toe pedal opener • Rear wheels allow easy movement and installation
- Heave-gauge steel construction

### GCG1530FWW White on white (not shown)

### GCG1550FCC Bisque on bisque (not shown)

### GCG1520FBB Black on black (not shown)

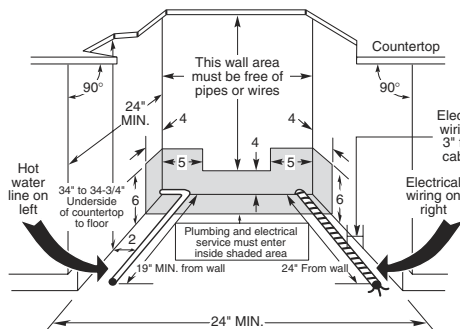
For detailed specifications, installation information and color availability, refer to page 61. For warranty information, refer to page 83.

# Dishwasher Specifications

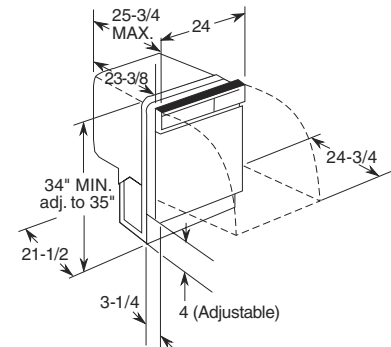
Built-in dishwashers	ENERGY STAR® HDA3740GSA HDA3700GWW HDA3700GCC HDA3700GBB	ENERGY STAR HDA3400GWW HDA3400GCC HDA3400GBB	ENERGY STAR Contract Only HDA2000GWW HDA2000GCC HDA2000GBB	HDA1000GWH
	<b>Features</b>			
Power Wash II system	●	●		
Self-cleaning filter	●	●		
Food disposer	●	●	●	●
Wash levels	3	3	2	2
Cycles/Options	6/31	5/22	4/9	1/4
Pots & Pans cycle	●	●		
Heavy Wash cycle	●		Dial	
Normal Wash cycle	●	●	Dial	Dial
Water Saver cycle	Dial	Dial	Dial	
Plate Warmer cycle	Dial	Dial		
Rinse Only cycle	Dial	Dial	Dial	
Delay Start	1-5-hour			
Heated Dry	●	●	Rocker	Rocker
Hi-Temp Wash	●	●		
Hot PreWash option	●	Dial	Dial	Dial
Control Type	TouchTap™ w/Dial	Pushbutton w/Dial	Dial w/Rocker	Dial w/Rocker
Touchpads	7			
Pushbuttons		6		
Cycle progress indicator	1 "cycle on"			
Rack System	Upper Lower	Super Deluxe	Standard Deluxe	Standard Deluxe
Silverware basket	Deluxe	Deluxe	Deluxe	Deluxe
Hard countertop installation	GPF65	GPF65	GPF65	GPF65
Rinse aid dispenser	●	●	●	●
Center throw door latch	●	●	●	●
<b>Quiet</b>				
Sound insulation package	QuietDesign™	Standard	Standard	
QuietPower™ motor	●	●	●	●
<b>Appearance</b>				
Colors available*	SA, WW, CC, BB	WW, CC, BB	WW, CC, BB	WH
Color panels	Door Access	Trimless Trimless	Trimless Trimless	Trimless Trimless
<b>Weights &amp; Dimensions</b>				
Height w/legs retracted (in.)	34	34	34	34
Overall width (in.)	24	24	24	24
Overall depth (in.)	25-3/4	25-3/4	25-3/4	25-3/4
Approx. shipping wt. (lbs.)	80	80	80	80
<b>Accessories</b>				
Requires kit for 1/4" panel capability (w/trim)	GPF425W/C/B	GPF325W/C/B	GPF325W/C/B	GPF325W
Requires kit for 3/4" panel capability (trimless)	GPF475	GPF375	GPF375	GPF375

\* Colors available: SA = Silver metallic, WW = White on white, CC = Bisque on bisque, BB = Black on black, WH = White door with black control panel.

## Dishwasher rough-in information (in inches)



## Dishwasher dimensions (in inches)



## Specifications and electrical rating

120 Volts AC, 60 Hertz, 6.2 Amps total connected load 500 Watt Calrod® heater. For use on adequately wired 120 volt, 15 amp circuit having two-wire service with a separate ground wire. This appliance must be grounded for safe operation. Dishwasher must not be installed more than 10 feet from sink for proper drainage. All plumbing and electrical work must be in accordance with local codes. Dishwasher includes drain hose and leveling legs.

**Note:** Before installing, consult installation instructions packed with product for current dimensional data.

## Dishwasher accessories

### Side panel for all models:

Contains one panel and adjustable toe kick for end cabinet installation of built-in model. Does not attach to dishwasher. Specify color: GPS5WW—White GPS5CC—Bisque

### Optional dishwasher accessories:

- GPF65—Brackets for under non-wood countertop installation
- GPF95—Stainless sink for Spacemaker® dishwasher single bowl 21-1/4" x 25" drain hole on right; elbow and strainer included
- GPF96—Stainless sink for Spacemaker dishwasher single bowl 21-1/4" x 25" drain hole on left; elbow and strainer included
- GPF97—Stainless sink for Spacemaker dishwasher double bowl 21-1/4" x 33" elbow and strainer included
- GPF100—Heavy spring kit for custom door panel weighing more than 4 lbs.

### Wood panel capability:

**Model: GSM1800**

GPF18W/B—1/4" panel trim kit

**Models: HDA3400, HDA2000, HDA1000, GSM2100, GSC3200**

GPF325W/C/B—1/4" panel trim kit (door and access)

GPF375—3/4" trimless panel trim kit (door and access [GPF100—heavy-duty spring kit included])

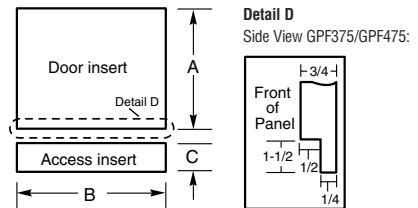
**Models: HDA3700, GSC3400**

GPF425W/C/B—1/4" panel trim (door and access)

GPF475—3/4" trimless panel kit (door and access [GPF100—heavy-duty spring kit included])

## Wood insert cutout dimensions (in inches)

Kits: GPF325, GPF375, GPF425 and GPF475



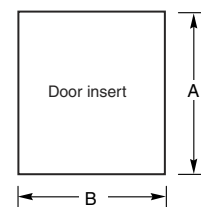
Kit	D - Panel			Thickness
	A	B	C	
GPF325	18-7/8	23-9/16	3-11/16	1/4
GPF375	18-15/16	23-5/8*	4-1/4 to 3-3/4**	3/4
GPF425	19-3/4	23-9/16	3-11/16	1/4
GPF475	19-7/8	23-5/8*	3-11/16 to 4-1/4**	3/4

\* Bottom of panel must be notched 1-1/2" x 1/2" to clear access panel. (See illustration above)

\*\* Adjustment required to match adjacent cabinet fronts due to leveling adjustment, 4" nominal.

## Wood insert cutout dimensions (in inches)

Kits: GPF18W/B



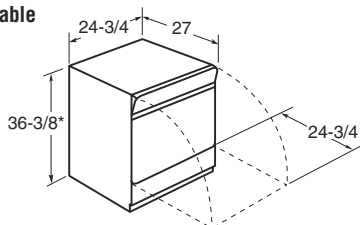
Kit	Panel		Thickness
	A	B	
GPF18W/B	22-3/16	17-3/16	1/4

GE Nautilus convertible dishwashers	GE	
	ENERGY STAR	ENERGY STAR
	GSC3400JWW GSC3400JBB	GSC3200JWW GSC3200JBB
<b>Features</b>		
Wash system	PowerScrub™	PowerScrub
Wash levels	5	5
Water filtration	Dual	Dual
Hard food disposer	Piranha™	Piranha
Cycles	7	5
Pots & Pans	●	●
Heavy Wash	●	●
Normal Wash	●	●
China/Crystal	●	●
Short Wash	Dial	Dial
Plate Warmer	Dial	Dial
Rinse Only	Dial	Dial
Options	39	22
Delay Start option	1-6-hour	
Heated Dry	●	●
Energy Saver	●	●
Hi-Temp Wash	●	●
HotStart™	●	Dial
Racks (upper/lower)	Super/Deluxe	Super/Deluxe
Silverware basket	Deluxe split w/2 cell covers	Deluxe
Cycle progress indicator	1 "Cycle On"	Dial
TouchTap controls	8	
Pushbuttons		6
Hard countertop installation	GPF65	GPF65
Rinse aid dispenser	w/Indicator	●
Center throw door latch	●	●
<b>Quiet</b>		
Sound insulation package	QuietDesign	QuietDesign
PermaTuf® tub and door liner	●	●
QuietPower motor	●	●
Sealed toe-kick	●	●
<b>Appearance</b>		
Colors available*	WW, BB	WW, BB
Color panels—door & access	Trimless	Trimless
Decorative wood laminate top	Woodgrain	Woodgrain
<b>Weights &amp; Dimensions</b>		
Overall height w/legs extended (in.)	36-3/8	36-3/8
Overall width (in.)	24-7/8	24-7/8
Overall depth (in.)	27	27
Approx. shipping weight (lbs.)	130	130
<b>Accessories</b>		
Requires kit for 1/4" panel capability with trim	GPF425W/B	GPF325W/B
Requires kit for trimless 3/4" panel capability	GPF475	GPF375

\*Colors available: WW = White on white, BB = Black on black.

## Convertible Dishwasher Dimensions (in inches)

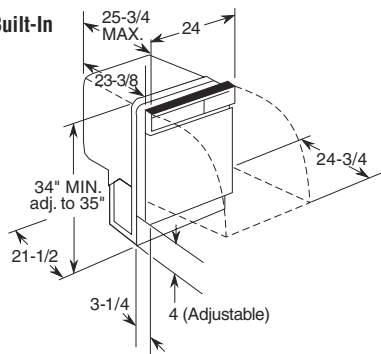
### Portable



\*Includes top and wheels

**Important Note:** GE kit number WD35M34 needed when adapting GE convertible dishwasher to a built-in installation. Contains built-in dishwasher water valve, hardware and complete instructions for changing a GE convertible dishwasher for under-the-counter installation.

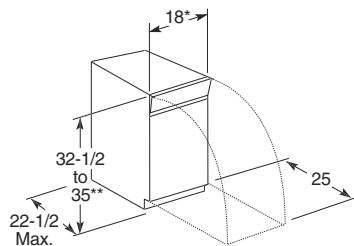
### Built-In



GE Spacemaker 18" built-in dishwasher	GE	
	ENERGY STAR	ENERGY STAR
	GSM1800JWW GSM1800JBB	GSM1800JBB
<b>Features</b>		
Tub and door liner	Stainless steel	
Wash levels	2	
Cycles	7	
Pots & Pans	Dial	
Heavy Wash	Dial	
Normal Wash	Dial	
Light Wash	Dial	
China/Crystal	Dial	
Plate Warmer	Dial	
Rinse Only	Dial	
Options	12	
Heated Dry	Rocker	
Nylon racks (upper/lower)	Standard	
Removable upper rack	●	
Utility shelves	●	
Silverware basket	Standard	
Control type	Turn-to-start	
Cycle progress indicator	Dial	
Hard countertop installation	N/A	
Rinse aid dispenser	w/adjustment	
120°F inlet water capability	●	
Leveling screws	●	
<b>Quiet</b>		
Tub insulation	Standard	
<b>Appearance</b>		
Colors available*	WW, BB	
<b>Weights &amp; Dimensions</b>		
Height w/legs retracted (in.)	32-1/2	
Overall width (in.)	18	
Overall depth (in.)	22-1/2	
Approx. shipping weight (lbs.)	100	
<b>Accessories</b>		
Requires kit for 1/4" panel capability with trim	GPF18W/B	

\*Colors available: WW = White on white, BB = Black on black.

## Spacemaker Built-In Dimensions GSM1800J (in inches)



\*Width adjustable from 17-5/8" to 18"

\*\*Meets ADA countertop height requirement of 34"

Figure 1

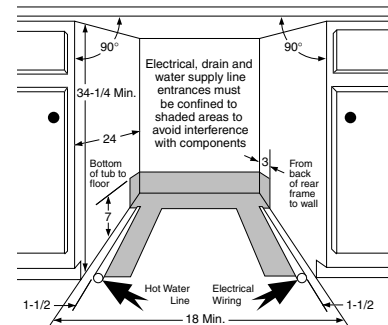
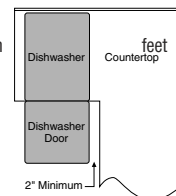


Figure 2



## Dishwasher Rough-In Information

**Note:** Dishwasher must not be installed more than ten feet from sink for proper drainage. All plumbing and electrical work must be in accordance with local codes.

Most of the installation work should be done before the dishwasher is moved into place. First, select a location as close to the sink as possible for ready access to water and drain lines. For proper operation and appearance of the dishwasher, the cabinet opening should be square and have dimensions as shown in Figure 1. If the dishwasher is to be installed in a corner, there must be sufficient clearance to open the door as shown in Figure 2. A minimum clearance of 2" is recommended.

Rough-in the water, electrical, and drain lines before proceeding with installation. The lines should run straight to their connections on the dishwasher.

**Note:** Make sure that the lines do not cross in front of the dishwasher motor or its legs.

# Dishwasher Specifications

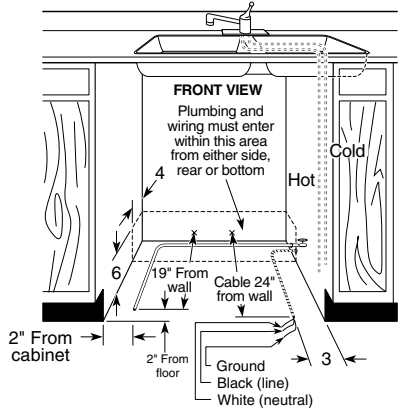
## GE Spacemaker® under-the-sink dishwasher

<b>ENERGY STAR®</b>
GSM2100GWW
GSM2100GCC
GSM2100GBB

Features	
Wash levels	2
Food disposer	•
Cycles	5
Pots & Pans	•
Normal Wash	•
Short Wash	Dial
Plate Warmer	Dial
Rinse Only	Dial
Options	12
Heated Dry	•
HotStart™	Dial
Racks, shelf & basket	
Upper rack	Spacemaker
Lower rack	Deluxe
Silverware basket	Deluxe
Control type	Turn-to-start
Cycle progress indicator	Dial
Pushbuttons	4
Hard countertop installation	GPF65
Optional heavy door spring	GPF100
Rinse aid dispenser	•
Center throw door latch	•
Quiet	
PermaTuf® tub and door liner	•
QuietPower™ motor	•
Appearance	
Colors available*	WW, CC, BB
Color panels—door & access	Trimless
Weights & Dimensions	
Height w/legs retracted (in.)	34
Overall width (in.)	24
Overall depth (in.)	25-3/4
Approx. shipping weight (lbs.)	72
Accessories	
Requires kit for 1/4" panel capability with trim	GPF325W/C/B
Requires kit for trimless 3/4" panel capability	GPF375

\*Colors available: WW = White on white, CC = Bisque on bisque, BB=Black on black.  
**Note:** Under-the-sink dishwashers can be installed under GE cooktop models JP201C and JP202D. Refer to cooktop installation instructions.

### Plumbing/Electrical Rough-In (in inches)



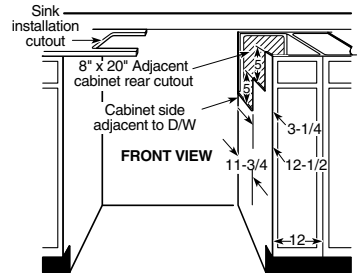
**Plumbing:** Hot Water Only: Use 3/8" O.D. copper tubing or 1/2" O.D. plastic tubing min. inlet line. Water valve has 3/8" internal threads. Hand cut-off valve is recommended.

**Electrical:** Fuse circuit with 15 amp or 20 amp standard fuse or circuit breaker. Total amp load is 6.2. Dishwasher operates on 120V, 60 Hz power. Two-wire cable (14 Ga. Min.) with ground must be installed.

**Note:** All rough-in, both plumbing and electrical, must be completed before the dishwasher is installed. All plumbing and electrical work must be in accordance with local codes.

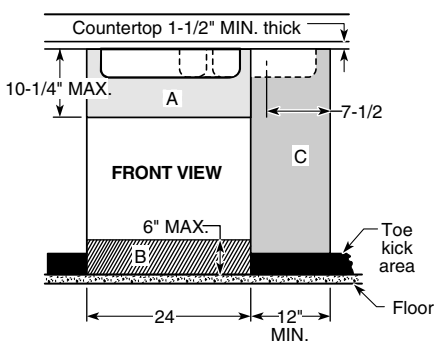
**Specifications:** Inlet Water Temperature Recommended: Minimum 120°F at dishwasher. Inlet Water Pressure Required: 15 to 120 lbs./sq. in.

### Cabinet Cutout for Sink (in inches)



Cabinet cutouts for offset single and double bowl sinks. Dishwasher not provided with complete enclosure. Enclosures for sides, top, bottom, and back must be provided by installer at time of installation.

### Cabinet Rough-In (in inches)



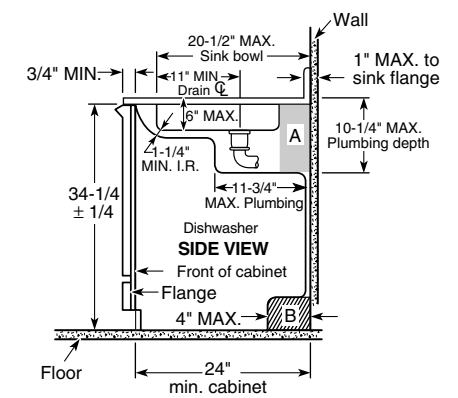
Either single- or double-bowl sink may be used, centered or offset, as shown in the front illustration above. The 20-1/2" max. dimension from wall to front of sink bowl must be accurate if dishwasher is to fit properly under sink. Water lines to sink faucet and drain from sink can be run through area "A." HOT WATER line to dishwasher is installed in area "B." Garbage disposer, water lines to faucet, trap, waste air gap and water cut-off valve are installed in 12" wide cabinet shown in area "C." Sink opening for garbage disposer must be dimensioned as shown in front view, area "C" above (7-1/2"). This will provide clearance for disposer and plumbing in cabinet "C" when using double bowl sink. If the sink bowl is more than 20-1/2" max. specified distance from the wall, or if the base cabinet is less than the 24" min. depth from the wall, a gap between the tub front flange and the front of the base cabinet may result.

### Stainless Steel Sinks Single- and Double-Bowl Models Dimensions (in inches)

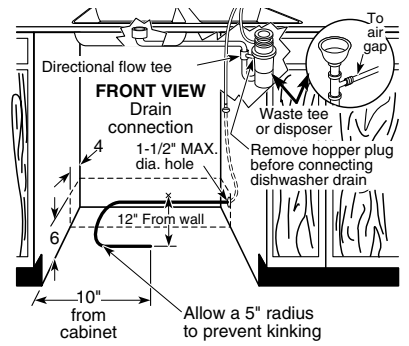
Model Number	Overall Size		Inside Each Compartment		
	L	W	L	W	D
GPF95 (Single Bowl, R)*	25	21-1/4	21	15-3/4	5-3/8
GPF96 (Single Bowl, L)*	25	21-1/4	21	15-3/4	5-3/8
GPF97 (Double Bowl)	33	21-1/4	14	15-3/4	5-3/8

Model Number	Cutout In Countertop 1-1/2" Radius Corners		No. Of 1-1/2" Dia. Faucet Holes	Ship. Wt. Lbs.
	L	W		
GPF95 (Single Bowl, R)*	24-3/8	20-5/8	3 or 4**	10
GPF96 (Single Bowl, L)*	24-3/8	20-5/8	3 or 4**	10
GPF97 (Double Bowl)	32-3/8	20-5/8	3 or 4**	12-1/2

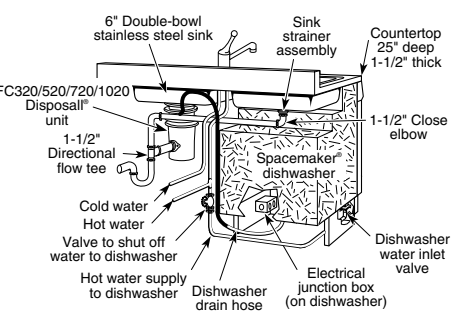
**Note:** Drain opening size is 3-1/2". Above models are fully sound deadened.  
 \*Suffix "L" or "R" means drain outlet is located in upper left or right corner of sink compartment.  
 \*\*All have four holes, but one hole has a removable plug.



### Rough-In for Installation with Disposer (in inches)



### Rear View Plumbing Arrangement (in inches)



A close-fitting elbow or special shallow sink strainer is necessary to provide clearance between sink drain and dishwasher. Dishwasher furnished with 1/2" I.D. drain hose, 78" long. If using copper tubing, 2" length of 1/2" I.D. rubber hose must be provided to connect copper tubing to pump outlet. Disposer should have 7/8" I.D. dishwasher drain connector.

# GE® Disposer and Built-In Compactor Specifications

GE Disposall® food waste disposers	GE Continuous Feed								Batch Feed
	GFC1020F	GFC720F	GFC530F	GFC535F	GFC520F	GFC525F	GFC320F	GFC325F	GFB760F
<b>Features</b>									
Motor horsepower	1	3/4	1/2	1/2	1/2	1/2	1/3	1/3	3/4
Control method	Wall switch	Wall switch	Wall switch	Wall switch	Wall switch	Wall switch	Wall switch	Wall switch	Stopper
Feed type	Continuous	Continuous	Continuous	Continuous	Continuous	Continuous	Continuous	Continuous	Batch
Power connection	Direct wire	Direct wire	Direct wire	Line cord	Direct wire	Line cord	Direct wire	Line cord	Direct wire
Impellers									
Dual-swivel	●	●	●	●	●	●	●	●	●
Jam resistant	●	●	●	●	●	●	●	●	●
Stainless steel	●	●	●	●	●	●	●	●	●
Armature shaft material	Cold-rolled carbon steel	Cold-rolled carbon steel	Cold-rolled carbon steel	Cold-rolled carbon steel	Cold-rolled carbon steel	Cold-rolled carbon steel	Cold-rolled carbon steel	Cold-rolled carbon steel	Cold-rolled carbon steel
Grinding speed (RPMs)	2,800	2,700	2,600	2,600	2,600	2,600	1,900	1,900	2,700
Capacity	Super	Super	Extra-large	Extra-large	Large	Large	Large	Large	Super
Mounting type	EZ-Mount	EZ-Mount	EZ-Mount	EZ-Mount	EZ-Mount	EZ-Mount	EZ-Mount	EZ-Mount	EZ-Mount
Turntable material	Stainless	Stainless	Stainless	Stainless	Galv. steel	Galv. steel	Galv. steel	Galv. steel	Stainless
Two-level precut	●	●	●	●	●	●	●	●	●
Stainless steel sink flange	●	●	●	●	●	●	●	●	●
Manual reset overload protector	●	●	●	●	●	●	●	●	●
Splash guard	●	●	●	●	●	●	●	●	●
Sink stopper	●	●	●	●	●	●	●	●	●
Dishwasher drain connector	●	●	●	●	●	●	●	●	●
Drain elbow	●	●	●	●	●	●	●	●	●
<b>Quiet</b>									
Sound insulation package	QuietPower III	QuietPower II	QuietPower I	QuietPower I	Standard	Standard	Standard	Standard	QuietPower II
<b>Weights &amp; Dimensions</b>									
Approx. shipping weight (lbs.)	14.9	12.45	9.6	9.9	8.8	9.1	8.4	8.7	13.75
Net weight (lbs.)	13.2	10.7	8.05	8.35	7.8	8.1	7.4	7.7	11
Dishwasher inlet diameter (in.)	1	1	1	1	1	1	1	1	1
Drain outlet diameter (in.)	1-1/2	1-1/2	1-1/2	1-1/2	1-1/2	1-1/2	1-1/2	1-1/2	1-1/2
<b>Power Ratings</b>									
Volts, Hertz, Amps	120; 60; 7.0	120; 60; 6.0	120; 60; 4.5	120; 60; 4.5	120; 60; 4.5	120; 60; 4.5	120; 60; 4.0	120; 60; 4.0	120; 60; 6.0
<b>Warranty*</b>									
One-year full replacement							●	●	
One-year full replacement plus One-year limited replacement					●	●			
One-year full replacement plus Two-year limited replacement			●	●					
One-year full replacement plus Four-year limited replacement		●							●
One-year full replacement plus Six-year limited replacement	●								

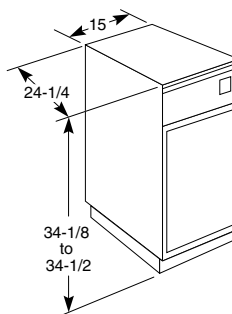
\*See written warranty for details.

GE Profile™ built-in compactors	GE Profile
	GCG1540FSS, GCG1530FWW, GCG1550FCC, GCG1520FBB
<b>Features</b>	
Cycle time	27 seconds max., 14 seconds min.
Drive system	2-Point
Motor horsepower	1/3
Compression ratio (average)	75% reduction of volume
Ram force (lb.) (max.)	2,300
Front level legs and rear wheels	●
Capacity	1.4 cu. ft.
Side release bin	●
Toe/foot pedal drawer opener	●
Lock/start control w/removable key	●
Automatic anti-jam	●
Slide-out drawer	●
<b>Appearance</b>	
Color appearance*	SS, WW, CC, BB
Color-matched	●
Heavy-gauge steel construction	●
1/4" panel capability	●
<b>Weights &amp; Dimensions</b>	
Total shipping weight (lbs.)	152
Total appliance weight (lbs.)	141
Overall height (in.)	34-1/8 to 34-1/2
Overall width (in.)	15
Overall depth (in.)	24-1/4
Cutout dimensions H x W x D (in.)	34-1/4 x 15-1/8 x 24-3/4
Clearance for drop-down drawer side	6" or more on right side
Drawer extension for removal	23" or more in front of appliance
Custom panel size H x W (in.)	23-15/16 x 14-5/8
<b>Accessories</b>	
Compactor bags (5 included)	WC60X5017
<b>Warranty</b>	
Full one-year warranty**	●

\*Colors available: SS = Stainless steel, WW = White on white, CC = Bisque on bisque, BB = Black on black

\*\*See written warranty for details.

## Compactor Dimensions (in inches)



## Disposer Accessories:

Colored sink flanges  
**GPF76**—White  
**GPF78**—Bisque

## Compactor Accessories:

New 1/4" panel trim kits (color-matched)  
**GPF82S**—Stainless steel  
**GPF82W**—White  
**GPF82C**—Bisque  
**GPF82B**—Black

See page 83 for warranty information.



# Hotpoint Washers

## Super and extra-large capacity washers

### VWSR4150D

- 3.2 cu. ft. super capacity plus washer
- Variable water levels
- 15 cycles
- 4 wash/spin speed combinations
- Extra Rinse
- Auto presoaks
- GentlePower™ Agitator
- Bleach dispenser
- Fabric softener dispenser

### VBSR3100D

- 3.2 cu. ft. super capacity washer
- 3 water levels
- 10 cycles
- 3 wash/spin speed combinations
- 3 wash/rinse temperature settings
- FlexCare™ Agitator
- Bleach dispenser

### VWSR1070D

- 3.2 cu. ft. super capacity washer
- 3 water levels
- 7 cycles
- 1 wash/spin speed combination
- 3 wash/rinse temperature settings
- FlexCare Agitator

### VBXR1090D

- 2.7 cu. ft. extra-large capacity washer
- 3 water levels
- 9 cycles
- 1 wash/spin speed combination
- 3 wash/rinse temperature settings
- FlexCare Agitator
- Bleach dispenser



VWSR4150D



VBSR3100D



VWSR1070D



VBXR1090D



VWSR4150D



### Extra Rinse option

Ideal for those with sensitive skin, this option removes excess detergent residue from fabric fibers.



### Automatic presoak cycle

This option soaks heavily soiled clothes for 15 or 30 minutes, then automatically goes into the cotton wash cycle. No need for a second trip to the washer!



### GentlePower agitator

This dual-action agitator maximizes wash performance with a rotating spiral and flexible fins. The upper spiral continually circulates the wash load, pulling clothes from the top and lifting them from the bottom. The bottom fins move back and forth to provide gentle, effective cleaning action.



### Delicate cycle

This extra-care setting uses gentle agitation to protect fine handwashables such as lingerie and sweaters.

All features may not be available on all models. For detailed specifications, installation information and color availability, refer to page 66. For warranty information, refer to page 83.

## Super and extra-large capacity dryers

### NWSR483EB (Electric) NWSR483GB (Gas)

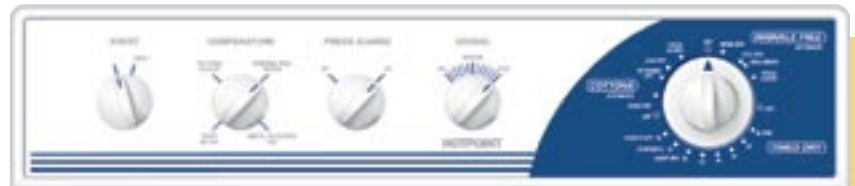
- 7.0 cu. ft. super capacity dryer
- Automatic dry control
- 8 cycles
- 4 heat selections
- Press Guard Wrinkle Care
- Upfront lint filter
- Variable end-of-cycle signal
- Dryer interior light
- Reversible door

### NBXR463EB (Electric) NBXR463GB (Gas)

- 6.0 cu. ft. extra-large capacity dryer
- Automatic dry control
- 6 cycles
- 4 heat selections
- Upfront lint filter
- Reversible door

### NVLR333EE (Electric) NVLR333GE (Gas)

- 5.8 cu. ft. extra-large capacity dryer
- Automatic dry control
- 3 cycles
- 3 heat selections
- Upfront lint filter
- Reversible door



NWSR483EB (Electric), NWSR483GB (Gas)



NBXR463EB (Electric), NBXR463GB (Gas)

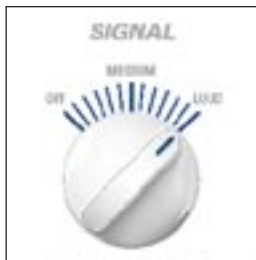


NVLR333EE (Electric), NVLR333GE (Gas)



#### Press Guard Wrinkle Care

This no-heat tumble cycle saves you the trouble of rushing to remove clothes by signaling every five minutes, for up to 20 minutes, after clothes are dry.



#### Variable end-of-cycle signal

Great when you're busy, this audible signal reminds you when clothes are dry. The signal volume can be adjusted according to your needs, whether your laundry room is next to the nursery or in the basement.



#### Automatic dry control

For each load, the dryer monitors the temperature with an automatic thermostat and ends the cycle when clothes are properly dried.



#### Dryer interior light

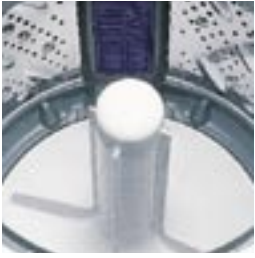
This brilliant light puts small items like socks and washcloths into clear view, making unloading faster and easier.



NWSR483EB/GB

All features may not be available on all models. For detailed specifications, installation information and color availability, refer to page 66. For warranty information, refer to page 83.

# GE Spacemaker®: Portable/Stationary Models



**Stainless steel tub**  
Extra-large 2.5 cu. ft. stainless steel tub with lint filter.



**Fabric softener dispenser**  
Easily accessible detergent/fabric softener dispenser.



- GE**  
120V Portable Topload Washer  
**WSLP1100DWW**  
White on white
- 24" 2.5 cu. ft. extra-large capacity
  - Stainless steel basket
  - 1 wash/spin speed
  - 10 cycles
  - 3 wash/rinse temperatures
  - 4 water levels
  - Load sensing
  - Electronic controls
  - Digital countdown
  - Bifold lid
  - Bleach dispenser
  - Fabric softener dispenser
  - Lint filters
  - Easy-roll rollers

120V Stationary Topload Washer  
**WLSL1100DWW** (not shown)  
White on white



- GE**  
240V Stationary Dryer  
**DSKS433EB**  
White on white or  
White with black controls
- 3.6 cu. ft. capacity
  - 3 drying cycles
  - 4 heat selections
- WMK-35 Wall-Mount Kit**  
(Available at additional cost, applies *only* to stationary models.)

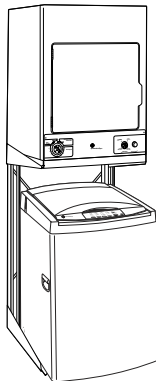


- GE**  
120V Stationary Dryer  
**DSKS333ECWW**  
White on white
- 3.6 cu. ft. capacity
  - 3 drying cycles
  - 3 heat selections
  - 15-amp dryer cord attached

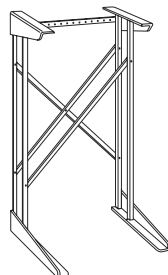
**WMK-35 Wall-Mount Kit**  
(Available at additional cost, applies *only* to stationary models.)



- GE**  
120V Portable Dryer  
**DSKP333ECWW** (not shown)  
White on white
- 3.6 cu. ft. capacity
  - 3 drying cycles
  - 3 heat selections
  - 15-amp dryer cord attached



DSDR24D shown with  
WLSL1100D Washer  
and DSKS433EB Dryer



- DSDR24D**  
Stack Rack White (only)  
(Available at additional cost)
- For use with portable or stationary Spacemaker washers and stationary dryers



- GE**  
Full Size 27" Unitized Washer/Dryer  
**WSM2700D Electric**  
**WSM2780D Gas**  
White on white  
(Electric model also available in  
Bisque on bisque)
- 2.7 cu. ft. extra-large capacity washer features 3 cycles, 3 wash/rinse temperature options, 3 water level selections
  - Dryer features Automatic dry control as well as 4 cycles



- GE**  
24" Unitized Washer/Dryer  
**WSM2420D Electric**  
**WSM2480D Gas**  
White on white  
(Electric model also available in  
Bisque on bisque)
- 1.9 cu. ft. large capacity washer features 3 cycles, 3 wash/rinse temperature options, 3 water level selections
  - Dryer features Automatic dry control as well as 4 cycles

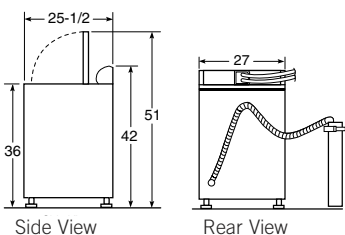
All features may not be available on all models. For detailed specifications, installation information and color availability, refer to page 68. For warranty information, refer to page 83.

# Washer and Dryer Specifications

Washers	VWSR4150D	VBSR3100D	VVSR1070D	VBXR1090D
<b>Capacity</b>				
Capacity cu. ft.	3.2 Super Plus	3.2 Super Plus	3.2 Super	2.7 Extra-large
<b>Controls</b>				
Rotary	●	●	●	●
Wash/rinse temps	3	3	3 timer	3
Water levels	Variable	3	3	3
<b>Wash system</b>				
Wash basket	ExtrAction™	ExtrAction	PermaTuf® II	PermaTuf II
Wash mechanism	GentlePower™ Agitator	GentlePower Agitator	FlexCare™ Agitator	FlexCare Agitator
Wash/spin combinations	4	3	1	1
<b>Drive system</b>				
Transmission	Steel	Steel	Steel	Steel
Maximum spin speed	630 RPM	630 RPM	630 RPM	630 RPM
<b>Dispensers</b>				
Bleach	●	●		●
Fabric softener	●			
<b>Wash cycles</b>				
Number of cycles	15	10	7	9
<b>Cottons regular</b>				
Auto soak (30 min.)	●		●	●
Auto soak (15 min.)	●			
Extra heavy soil		●		●
Heavy soil	●	●	●	●
Medium soil	●	●	Normal	●
Light soil	●	●	●	●
<b>Easy care</b>				
Wrinkle free	●	●	●	●
Auto soak (15 min.)	●			
Heavy soil	●	●		●
Medium soil	●	●	Normal	●
Light soil	●	●	●	●
Extra light soil				●
<b>Casuals-pulsed</b>				
Heavy soil				●
Medium soil				●
Light soil				●
<b>Delicate</b>				
Medium soil	●	●	Knits	
Light soil	●	●	●	
<b>Special cycles</b>				
2nd rinse	Cottons & easy care			
Rinse & spin (Quick rinse)	●	●		
Prewash	●			
Spin Only	●			
<b>Additional features</b>				
Quiet performance	Quiet-by-Design™	Quiet-by-Design™	Quiet-by-Design™	Quiet-by-Design™
Instructions/guides	Color lid instructions	Color lid instructions	Color lid instructions	Color lid instructions
<b>Appearance</b>				
Colors available*	WW	WW	WW	WW/CC
<b>Weights &amp; dimensions</b>				
Approx. shipping weight (lbs.)	160	160	160	160
H x W x D in inches	42 x 27 x 25-1/2	42 x 27 x 25-1/2	42 x 27 x 25-1/2	42 x 27 x 25-1/2

\*WW = White on white, CC = Bisque on bisque

## Washer Dimensions (in inches)



## Washer specifications:

**Electrical rating:** 115V, 60 Hz, 10 Amps

**Circuit requirements:** An individual properly grounded branch circuit, with a three-prong grounding-type receptacle protected by a 15- or 20-amp circuit breaker or time-delay fuse, is required.

**Washer Note:** Washer wall outlet must be located within 36" of service cord entry. Wall outlet must not be located behind dryer.

**Dryer Note:** Dryer wall outlet must be located within 36" of service cord entry and accessible when dryer is mounted in position.

See page 83 for warranty information.

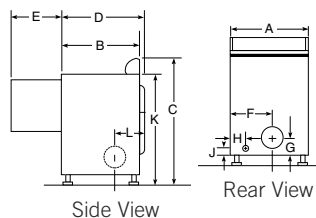
Dryers	Electric	NWSR483EB	NBXR463EB	NVLR333EE
	Gas	NWSR483GB	NBXR463GB	NVLR333GE
<b>Capacity</b>				
Capacity cu. ft.		7.0 Super	6.0 Extra-large	5.8 Extra-large
<b>Controls</b>				
Rotary		●	●	●
Heat selections		4	4	3
<b>Dry system</b>				
Temperature sensor		Thermostat	Thermostat	Thermostat
Dryer drum		DuraDrum™	DuraDrum™	DuraDrum™
Drum baffles		White	White	White
<b>Signal</b>				
End-of-cycle		Variable		
<b>Dry cycles</b>				
Number of cycles		8	6	3
<b>Cottons regular</b>				
Automatic dry cottons		●	●	●
Optional		●		
<b>Easy care</b>				
Automatic dry easy care		●	●	●
Wrinkle care		●		
<b>Timed dry</b>				
Maximum time available		80 Mins.	80 Mins.	70 Mins.
<b>Special cycles</b>				
Dewrinkle		●	●	
<b>Additional features</b>				
Quiet performance		Quiet-by-Design™	Quiet-by-Design™	Quiet-by-Design™
Dryer interior light		●		
<b>Appearance</b>				
Colors Available*		WW	WW	WW/CC
<b>Weights &amp; dimensions</b>				
Approx. shipping weight - elect.		119	112	112
Approx. shipping weight - gas		125	115	115
H x W x D in inches		42 x 27 x 25-1/2**	42 x 27 x 25-1/2**	42 x 27 x 25-1/2**

\*WW = White on white, CC = Bisque on bisque.

\*\*24-1/2" from the edge of the side panel to the front.

25-1/2" from front to edge of end caps.

## Dryer dimensions (in inches)



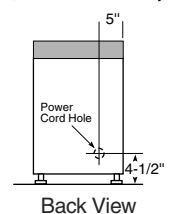
## Dryer Specifications

### Exhaust Options:

**Electric:** 4-way via rear, right, left and bottom.  
**Gas:** For 5.8, 6.0 and 7.0 cu. ft. dryers, when viewed from the front of the unit, exhaust 3-way via rear, left and bottom. Dryer is shipped exhausted to the rear. Alternate exhausting knockouts are supplied.

## Power Cord Locations

5.8, 6.0 and 7.0 cu. ft. Dryers



	Extra-Large 5.8 and 6.0 Capacity	Super 7.0 Capacity
A	27	27
B	25-1/2*	25-1/2*
C	42	42
D	25-3/4	28-1/4
E	23-1/2	23-1/2
F	11-1/2	11-1/2
G	3-1/2	3-1/2
H	2	2
J	2-1/2	2-1/2
K	36	36
L	5-1/4	8-1/2

\*24-1/2" from the edge of the side panel to the front.  
 25-1/2" from front to edge of end caps.

## Circuit requirements:

**Electric:** An individual properly grounded branch circuit protected by a 30-amp circuit breaker or time-delay fuse, is required.

**Gas:** An individual, properly grounded branch circuit with a three-prong grounding-type receptacle, protected by a 15- or 20-amp circuit breaker or time-delay fuse, is required.

**Gas (BTU/HR):** 22,000 for 5.8, 6.0 and 7.0 cu. ft. dryers. Factory-equipped for natural gas. Tested for LP gas. LP gas supply requires an optional conversion kit: 5.8, 6.0 and 7.0 cu. ft. model kit is WE25X0217. Have a qualified gas technician install a conversion kit. See dryer ducting information for proper installation.

## Electric dryer rating:

240V, 5600W, 24A, 60 Hz-5.8, 6.0, 7.0 cu. ft. dryers.  
 208V, 4400W, 22A, 60 Hz-5.8, 6.0, 7.0 cu. ft. dryers

## Gas dryer electric rating:

120V, 60 Hz, 6A



Listed by  
Underwriters  
Laboratories



## GE Spacemaker® Portable/Stationary Models

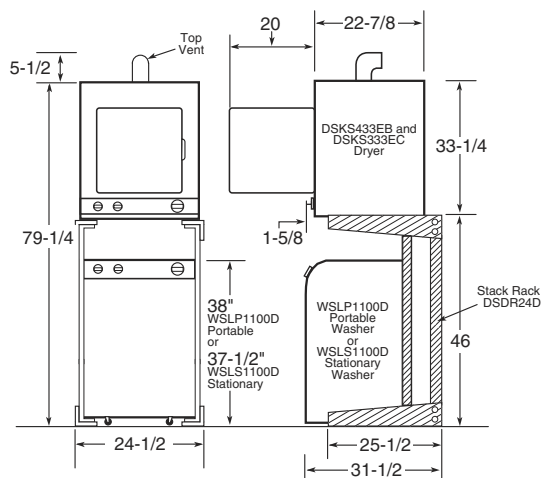
Individual Spacemaker® Washers	GE®	
	Stationary WLSL1100D	Portable WSLP1100D
<b>Capacity</b>		
Capacity (cu. ft.)	2.5 Extra-Large	2.5 Extra-Large
<b>Features</b>		
Wash/spin speed combinations	1	1
Wash/rinse temperatures	3	3
Water levels	4	4
Number of cycles	10	10
Cycle countdown	Digital	Digital
Regular		
Heavy Soil	●	●
Medium Soil	●	●
Perm. Press		
Medium Soil	●	●
Light Soil	●	●
Easy Care		
Delicates	●	●
Spin only	●	●
One touch load sensing	●	●
Automatic cool down	●	●
Bleach dispenser	●	●
Fabric softener dispenser	●	●
Automatic detergent dispenser	●	●
Lint filter	2 Removable	2 Removable
Washer lid type	Bi-fold	Bi-fold
Quiet pump	●	●
Easy-roll rollers		●
Unicouple connector		●
Basket material	Stainless Steel	Stainless Steel
<b>Appearance</b>		
Colors available*	WW	WW, WH
<b>Weights &amp; Dimensions</b>		
Circuit requirements	120V, 60 Hertz, 15 or 20 Amps	
Dimensions (HxWxD in inches)**	37-1/2† x 23-5/8 x 26	38 x 23-5/8 x 26
Approx. shipping wt. (lbs.)	114	116

\* Colors available: WW = White on white, WH = White with black controls.  
 \*\* Depth measured from front of control knob.  
 † With leveling legs extended.

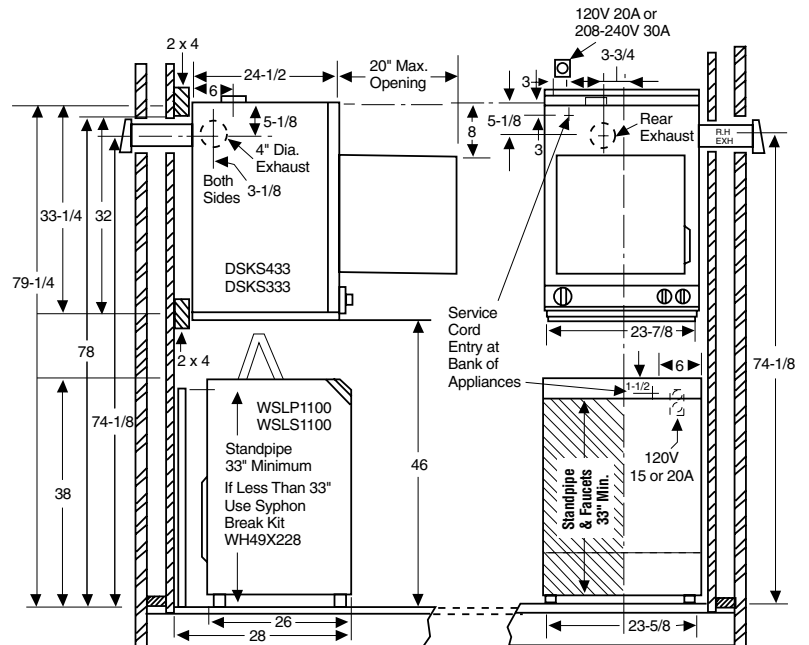
Individual Spacemaker® Dryers	GE	
	DSKS433EB	DSKP333EC* DSKS333EC
<b>Capacity</b>		
Capacity (cu. ft.)	3.6	3.6
<b>Features</b>		
Dry control	Automatic	Automatic
Heat selections	4	3 (timer)
Number of dry cycles	3	3
Auto. Perm. Press & Delicate	●	
Auto. Reg.	●	●
Timed Regular (min.)	140	150
Air Fluff (min.)	(Heat Selection)	30
Separate start switch	●	●
Control location	Mid-Band	Top Mid-Band
Lint filter	Upfront	Upfront
<b>Appearance</b>		
Colors available**	WW, WH	WW
<b>Weight &amp; Dimensions</b>		
Exhaust options***	4-Way	4 way – Rear, Bottom, Left, Right 4 way – Rear, Top, Left, Right
Circuit requirements	240/208V†, 60 Hertz, 30 Amp	120V, 60 Hertz, 15 Amp
Power cord	No Cord	6 feet
Dimensions (HxWxD in inches)	33-1/4 x 23-7/8 x 24-1/2	33-1/4 x 23-7/8 x 24-1/2
Wall-mount kit (available at additional cost)	WMK-35	WMK-35
Approx. shipping wt. (lbs.)	108	108

\* DSKP333EC dryer comes equipped with casters and stationary leveling legs.  
 \*\* Colors available: WW = White on white, WH = White with black controls.  
 \*\*\* DSKS433EB and DSKP333EC are shipped exhausted through the top.  
 † Rear-mounted outlet on DSKS433EB (120V, 60 Hertz, 10 Amp) DSKS433EB and DSKS333EC approved for use with washer/dryer stack rack DSDR24D.  
**Circuit Requirements:** An individual, properly grounded branch circuit of the proper voltage and frequency as specified on the rating plate, with no other appliances or fixtures in circuit, is required.

### Top Vent Installation Dimensions (in inches)



### Wall-Mount Installation Dimensions (in inches)



# GE® Washer and Dryer Specifications

## GE Unitized Spacemaker® washers and dryers

	GE®			
	WSM2700D		WSM2420D	
Electric	Washer		Dryer	
Gas	Washer		Dryer	
<b>Washer</b>				
<b>Capacity</b>				
Capacity	X-Large/2.7	X-Large/2.7	Compact/1.9	Compact/1.9
<b>Features</b>				
Wash/spin speed combinations	1		2	
Wash/rinse temperatures	3		3	
Water levels	3		3	
Number of wash cycles	3		3	
Regular	●		●	
Perm. Press	●		●	
Delicates	●		●	
Unbalanced load control	●		●	
Lint filter	●		●	

## Dryer

Features			
Automatic dry control		●	●
Number of dry cycles		4	4
Auto Regular		●	●
Auto Perm Press			●
Delicates		●	
Timed		●	●
Air Fluff		●	●
Control location		Mid-Band	Mid-Band
Exhaust options		Rear	Rear/Sides

## Appearance

Colors available†	WW, CC WW	WW, CC WW

## Weight & Dimensions

Dimensions (HxWxD in inches)	75-1/2 x 27 x 30-13/16*	71-3/4 x 23-7/8 x 27-1/4*
Approx. shipping wt. (lbs.)	300	238

\*Depth dimension assumes water hook-up is recessed in the wall.  
†WW = White on white, CC = Bisque on bisque

**Note:** The third prong on the WSM2780W plug configuration is a flat spade type rather than a typical round probe. It requires a matching wall outlet.

## Electrical requirements

**WSM2700D: Electric dryer**—This appliance should be connected to an individual, properly-grounded branch circuit with 120/240V or 120/208V single-phase 60 Hz electrical service and should be protected by 30-amp time-delay fuses or circuit breakers. This appliance is manufactured with neutral connected to the frame. Power cord should be purchased separately.

**WSM2420D: Electric dryer**—This appliance should be connected to an individual, properly-grounded branch circuit with 120/240V or 120/208V single-phase 60 Hz electrical service and should be protected by 30-amp time-delay fuses or circuit breakers. This appliance is manufactured with neutral connected to the frame. Power cord should be purchased separately.

**NOTE: THESE APPLIANCES ARE NOT APPROVED FOR 120-VOLT OPERATION.**

**WSM2480D: Gas dryer**—This appliance should be connected to an individual, properly-grounded branch circuit with a three-prong grounding-type receptacle and 120-volt single-phase 60 Hz electrical service and should be protected by 15 or 20-amp time-delay fuses or circuit breakers. This appliance is equipped with a 6-foot long flexible U.L. listed 20-amp power cord to match a 15-amp receptacle.

**Gas rated** input 10,500 BTU/HR. Factory equipped for natural gas. Tested for LP gas.

**WSM2780D: Gas dryer**—This appliance should be connected to an individual branch circuit with 120-volt single-phase 60 Hz electrical service and should be protected by 20-amp time-delay fuses or circuit breakers. This appliance is equipped with a 4-foot long flexible U.L. listed 20-amp power cord to match a 20-amp receptacle.

**WSM2780D Gas Rated** input 20,000 BTU/HR. Factory equipped for natural gas.

**LP gas supply requires a conversion kit.**

Kits:  
WSM2780D-WE25X10017  
WSM2480D-WE25X0219

Have a qualified gas technician install a conversion kit before use.

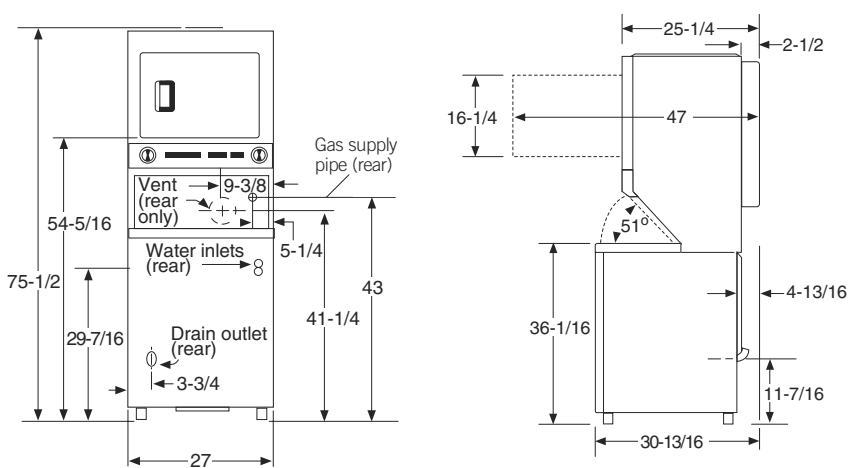
## Exhaust information

See "Dryer Exhausting Information" on page 69.

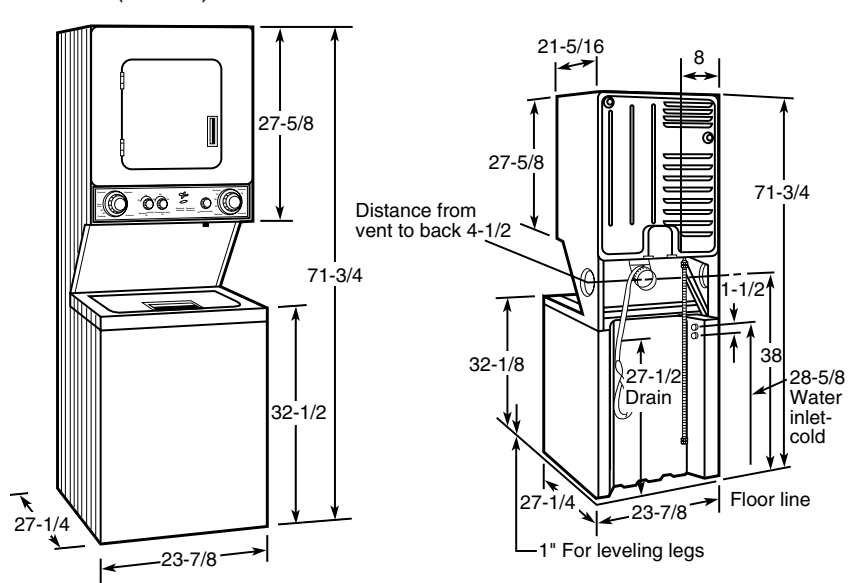
For complete information see installation instructions packed with the product.

See page 83 for warranty information.

## Models WSM2700D and WSM2780D Dimensions (in inches)



## Models WSM2420D and WSM2480D Dimensions (in inches)



## Dryer exhausting information

For complete information see installation instructions packed with dryer.

### Important note:

GE Kit Number 14-A018 needed when converting rear exhaust to bottom or side.  
(On Extra-large (5.7) capacity models only.)

### Ducting materials

For best performance, this dryer should be vented with 4" diameter all rigid metal exhaust duct. If "all rigid metal" duct cannot be used, then "flexible all metal" venting can be used, but it will reduce the maximum recommended duct length. The following kit or parts are available from your local service organization.

Kit WX8X75—7' aluminum duct and 4' hood, short tail.

(OR individual parts):

WX8X65 7' aluminum flex duct only

WX8X58 4' clamps (2)

WX8X67 4' exhaust hood

See installation instructions for complete information.

### Exhaust length calculation:

1. Determine the number of 90° turns needed for your installation. If you exhaust to the side or bottom of dryer, add one turn.

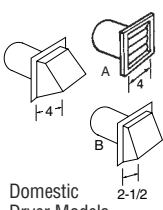
2. The maximum length of 4" rigid (aluminum or galvanized) duct which can be tolerated is shown in the table. The maximum lengths for flexible ducts are less than for rigid duct. See table in installation instructions. A turn of 45° or less may be ignored. Two 45° turns within the duct length should be treated as a 90° elbow. A turn over 45° should be treated as a 90° elbow.

**Exhausting the dryer to the outside is strongly recommended** to prevent large amounts of moisture and lint from being blown into the room. Gas dryers or any dryer located in a closet must be exhausted to the outside.

**Caution:** For personal safety do not terminate exhaust into a chimney, under any enclosed house floor (crawl space), or into an attic, since the accumulated lint could create a fire hazard or moisture could cause damage. Never terminate the exhaust into a common duct or plenum with a kitchen exhaust, since the combination of lint and grease could create a fire hazard.

Exhaust ducts should be terminated in a dampered wall cap to prevent back drafts, bird nesting, etc. The wall cap must also be located at least 12" above the ground or any other obstruction with the opening pointed down. Other terminations, such as louvered wall boxes, are acceptable provided they are equivalent to a 4" opening dampered wall cap.

## Dryer Exhausting Information—Use Metal Duct Only Vertical and Horizontal Ducting



	Number of 90° Turns	Best Performance			
		Maximum Length of 4" Dia. Rigid Metal Duct Exhaust Hood Type		Maximum Length of 4" Dia. Flexible Metal Duct Exhaust Hood Type	
		A 4" Opening	B 2-1/2" Opening	A 4" Opening	B 2-1/2" Opening
Domestic Dryer Models	0	90 ft.	60 ft.	55 ft.	45 ft.
7.0, 6.0 and 5.8 Capacity Models all Electric Dryers	1	60 ft.	45 ft.	40 ft.	30 ft.
	2	45 ft.	35 ft.	30 ft.	20 ft.
	3	35 ft.	25 ft.	20 ft.	15 ft.
	4	25 ft.	15 ft.	15 ft.	10 ft.
7.0, 6.0 and 5.8 Capacity Models all Gas Dryers	0	90 ft.	60 ft.	55 ft.	45 ft.
	1	60 ft.	45 ft.	40 ft.	30 ft.
	2	45 ft.	35 ft.	30 ft.	20 ft.
	3	35 ft.	25 ft.	20 ft.	15 ft.
Spacemaker® Models DSKS433EB DSKS333EC DSKP333EC WSM2780D	0	46 ft.	37 ft.	30 ft.	24 ft.
	1	38 ft.	30 ft.	25 ft.	20 ft.
	2	31 ft.	22 ft.	20 ft.	14 ft.
	3	24 ft.	15 ft.	16 ft.	10 ft.
Spacemaker Model WSM2700D	0	56 ft.	42 ft.	30 ft.	22 ft.
	1	46 ft.	36 ft.	22 ft.	14 ft.
	2	34 ft.	28 ft.	16 ft.	10 ft.
Spacemaker Models WSM2420D WSM2480D	3	32 ft.	18 ft.	10 ft.	5 ft.
	0	43 ft.	36 ft.	30 ft.	24 ft.
	1	33 ft.	26 ft.	24 ft.	18 ft.
	2	23 ft.	16 ft.	16 ft.	10 ft.



Listed by  
Underwriters  
Laboratories

## Special installation requirements

### Alcove or closet installation:

- If your dryer is approved for installation in an alcove or closet, it will be stated on a label on the dryer back.
- The dryer **MUST** be exhausted to the outdoors. See EXHAUST INFORMATION above and installation instructions.
- Minimum clearances between dryer cabinet and adjacent walls or other surfaces are:  
0" either side  
3" front and rear
- Minimum vertical space from floor to overhead cabinets, ceilings, etc. is 52".
- Closet doors must be louvered or otherwise ventilated and must contain a minimum of 60 sq. in. of open area equally distributed. If this closet contains both a washer and a dryer, doors must contain a minimum of 120 sq. in. of open area equally distributed.
- The closet should be vented to the outdoors to prevent gas pocketing in case of a gas leak in the supply line.
- No other fuel-burning appliance shall be installed in the same closet with the dryer.

### Bathroom or bedroom installation:

- The dryer **MUST** be exhausted to the outdoors. See installation instructions.
- The installation must conform with the local codes, or in the absence of local codes, with the National Fuel Gas Code, ANSI Z223.

### Minimum clearances other than alcove or closet installations

- Minimum clearances to combustible surfaces:  
0" both sides  
3" rear

For more information on venting kits and accessories, please call 1-800-GE-CARES.

# GE® Air Conditioning

## GE ENERGY STAR®-Qualified Electronic Room Air Conditioners

**These models** feature ENERGY STAR-qualified; 3 cool/3 fan speeds; electronic thermostat with remote control; 24-hour timer; Energy Saver feature; EZ Mount window kit; Power interruption restart



### ASM24DE

- 24,000/23,500 BTU, 9.4/9.4 EER, 230/208 Volts
- Auto Circulaire™



### AGM18DC

- 17,800/17,300 BTU, 10.7/10.7 EER, 230/208 Volts
- Auto Circulaire



### AGM14AC

- 13,800 BTU, 10.8 EER, 115 Volts
- Auto Circulaire

### AGM12AC

- 12,000 BTU, 10.8 EER, 115 Volts
- Auto Circulaire

### AGM10AC

- 10,000 BTU, 10.8 EER, 115 Volts
- Auto Circulaire



### AGM08FD

- 8,000 BTU, 10.8 EER, 115 Volts
- Auto Circulaire



### AGM06LC

- 5,950 BTU, 10.8 EER, 115 Volts
- Auto Circulaire



### ASM05LB

- 5,400 BTU, 10.8 EER, 115 Volts



Not all features available on all models.  
For additional features, specifications and color availability, refer to page 78.  
For warranty information, refer to page 83.

## GE Electronic Room Air Conditioners

These models feature 3 cool/3 fan speeds; electronic thermostat with remote control; EZ Mount window kit; Power interruption restart



### ASQ24DA

- 23,700/23,100 BTU, 8.8/8.8 EER, 230/208 Volts
- 24-hour timer
- Auto Circulaire
- Energy Saver feature



### AGQ18DC

- 18,000/17,500 BTU, 9.7/9.7 EER, 230/208 Volts
- 12-hour timer
- Auto Circulaire
- Energy Saver feature

### ADQ14AA

- 13,800 BTU, 10.0 EER, 115 Volts
- 12-hour timer
- Auto Circulaire
- Energy Saver feature

### ADQ12AA

- 12,000 BTU, 9.8 EER, 115 Volts
- 12-hour timer



### AGQ12DC

- 12,000/11,500 BTU, 9.8/9.8 EER, 230/208 Volts
- 12-hour timer

### AGQ10AC

- 10,000 BTU, 9.8 EER, 115 Volts
- 12-hour timer



### AGQ08FB

- 8,000 BTU, 9.8 EER, 115 Volts
- 12-hour timer



### AGQ06LB

- 6,000 BTU, 9.7 EER, 115 Volts
- 12-hour timer



### ASQ05LA

- 5,200 BTU, 9.8 EER, 115 Volts
- 12-hour timer

Not all features available on all models. For additional features, specifications and color availability, refer to page 78. For warranty information, refer to page 83.



# GE® Air Conditioning

## GE ENERGY STAR®-Qualified Mechanical Room Air Conditioners

These models feature ENERGY STAR-qualified; 3 cool/2 fan speeds; 8-position thermostat; EZ Mount window kit



### ASF24DB

- 24,000/23,500 BTU, 9.4/9.4 EER, 230/208 Volts
- Auto Circulaire™
- Energy Saver feature
- Slide-out chassis



### AGF18DB

- 17,800/17,300 BTU, 10.7/10.7 EER, 230/208 Volts
- Auto Circulaire
- Energy Saver feature
- Slide-out chassis



### AGF14AB

- 13,800 BTU, 10.8 EER, 115 Volts
- Auto Circulaire
- Energy Saver feature
- Slide-out chassis

### AGF12AB

- 12,000 BTU, 10.8 EER, 115 Volts
- Slide-out chassis

### AGF10AB

- 10,000 BTU, 10.8 EER, 115 Volts
- Slide-out chassis



### AGF08FB

- 8,000 BTU, 10.8 EER, 115 Volts

### AGF06LB

- 5,950 BTU, 10.8 EER, 115 Volts



### ASF05LA

- 5,400 BTU, 10.8 EER, 115 Volts



Not all features available on all models.  
For additional features, specifications and color availability, refer to page 79.  
For warranty information, refer to page 83.

## GE Mechanical Room Air Conditioners

These models feature 3 cool/2 fan speeds; 8-position thermostat; EZ Mount window kit



### ASV24DB

- 23,700/23,100 BTU, 8.8/8.8 EER, 230/208 Volts
- Auto Circulaire
- Energy Saver feature
- Slide-out chassis



### AGV18DF

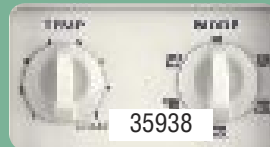
- 18,000/17,500 BTU, 9.7/9.7 EER, 230/208 Volts
- Auto Circulaire
- Energy Saver feature
- Slide-out chassis

### ADV14AA

- 14,000 BTU, 9.7 EER, 115 Volts
- Auto Circulaire
- Energy Saver feature
- Slide-out chassis

### ADV12AA

- 12,000 BTU, 9.8 EER, 115 Volts
- Slide-out chassis



### AGV10AE

- 10,000 BTU, 9.8 EER, 115 Volts
- Slide-out chassis



### AGV08FC

- 8,000 BTU, 9.8 EER, 115 Volts
- Slide-out chassis



### AGV06LA

- 6,000 BTU, 9.7 EER, 115 Volts
- Slide-out chassis



### ASV05LD

- 5,200 BTU, 9.8 EER, 115 Volts
- Fixed chassis

Not all features available on all models.  
For additional features, specifications and color availability, refer to page 79.  
For warranty information, refer to page 83.

# GE® Air Conditioning

## GE Built-In Room Air Conditioners

**These models** feature ENERGY STAR®-qualified; electronic control with remote; electronic digital thermostat; four-way air direction; upfront, washable air filter; 3 cool/3 fan speeds; power interruption



### Standard-Mount Cool Only Models

- AJCQ06LCB**  
• 6,000 BTU, 10.0 EER, 115 Volts
- AJCQ08ACB**  
• 8,000 BTU, 9.5 EER, 115 Volts
- AJCQ10ACB**  
• 9,900 BTU, 9.5 EER, 115 Volts
- AJCQ10DCB**  
• 9,900/9,700 BTU, 9.5/9.5 EER, 230/208 Volts
- AJCQ12DCB**  
• 11,600/11,400 BTU, 9.5/9.5 EER, 230/208 Volts

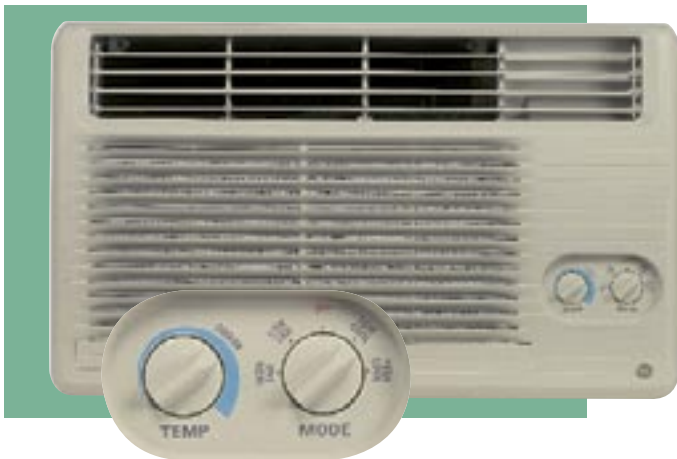
**These models** feature ENERGY STAR-qualified; mechanical controls; variable position thermostat; four-way air direction; upfront, washable air filter; 2 cool/2 fan speeds



### Standard-Mount Cool Only Models

- AJCS06LCB**  
• 6,000 BTU, 10.0 EER, 115 Volts
- AJCS08ACB**  
• 8,000 BTU, 9.5 EER, 115 Volts
- AJCS10ACB**  
• 9,900 BTU, 9.5 EER, 115 Volts
- AJCS09DCB**  
• 8,900/8,700 BTU, 9.5/9.5 EER, 230/208 Volts

- AJCS10DCB**  
• 9,900/9,700 BTU, 9.5/9.5 EER, 230/208 Volts
- AJCS12DCB**  
• 11,600/11,400 BTU, 9.5/9.5 EER, 230/208 Volts



### High-Mount Cool Only Models

- AJCH08ACB**  
• 8,000 BTU, 9.5 EER, 115 Volts
- AJCH10ACB**  
• 9,900 BTU, 9.5 EER, 115 Volts
- AJCH10DCB**  
• 9,900/9,700 BTU, 9.5/9.5 EER, 230/208 Volts
- AJCH12DCB**  
• 11,600/11,400 BTU, 9.5/9.5 EER, 230/208 Volts

Not all features available on all models.  
For additional features, specifications and color availability, refer to page 80.  
For warranty information, refer to page 83.

**These models** feature mechanical controls; variable position thermostat; four-way air direction; upfront, washable air filter; 2 cool/2 heat/2 fan only speeds



### Standard-Mount Heat/Cool Models

#### AJES06LSB

- 6,000 BTU cool, 4,100 BTU heat, 10.0 EER rating, 115 Volts

#### AJES08ASB

- 8,000 BTU cool, 4,100 BTU heat, 9.5 EER, 115 Volts

#### AJES10DSB

- 9,900/9,700 BTU cool, 11,600/9,500 BTU heat, 9.5/9.5 EER, 230/208 Volts

#### AJES09DCB

- 8,900/8,700 BTU cool, 11,600/9,500 BTU heat, 9.5/9.5 EER, 230/208 Volts

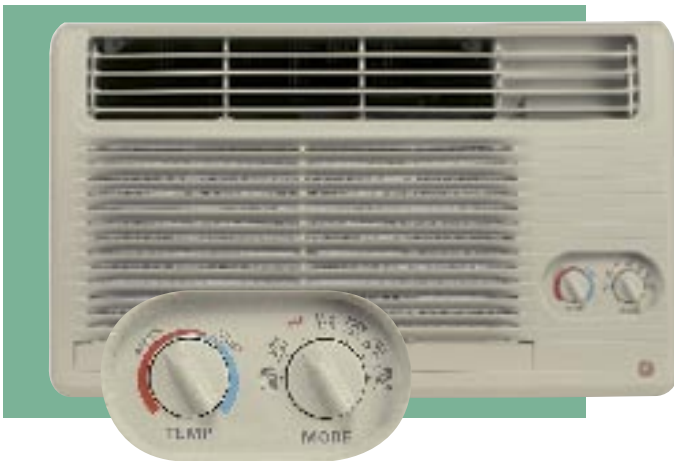
#### AJES10DCB

- 9,900/9,700 BTU cool, 11,600/9,500 BTU heat, 9.5/9.5 EER, 230/208 Volts

#### AJES12DCB

- 11,600/11,400 BTU cool, 11,600/9,500 BTU heat, 9.5/9.5 EER, 230/208 Volts

**These models** feature mechanical controls; variable position thermostat; four-way air direction; upfront, washable air filter; 2 cool/2 heat/2 fan only speeds



### High-Mount Heat/Cool Model

#### AJEH12DCB

- 11,600/11,400 BTU cool, 11,600/9,500 BTU heat, 9.5/9.5 EER, 230/208 Volts



### Heat Pump Models

#### AJHS08ASB

- 8,000 BTU cool, 7,700 BTU pump, 4,100 BTU heat, 9.5 EER, 115 Volts

#### AJHS08DCB

- 8,000/7,800 BTU cool, 7,700/7,500 BTU pump, 11,600/9,500 BTU heat, 9.5/9.5 EER, 230/208 Volts

#### AJHS10DCB

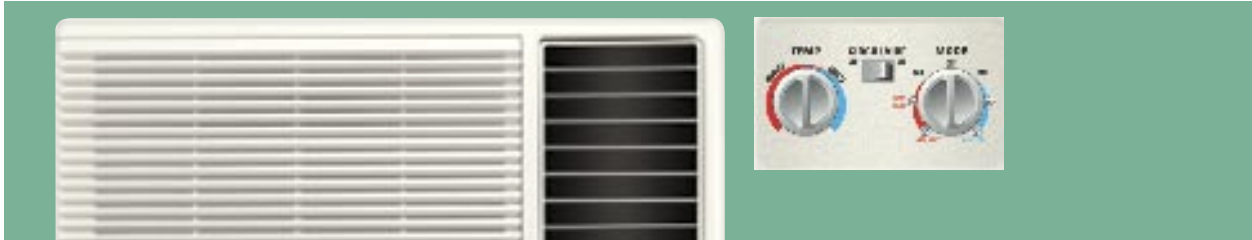
- 9,900/9,700 BTU cool, 9,700/9,500 BTU pump, 11,600/9,500 BTU heat, 9.5/9.5 EER, 230/208 Volts

Not all features available on all models.  
For additional features, specifications and color availability, refer to page 80.  
For warranty information, refer to page 83.

# GE® Air Conditioning

## GE Heat/Cool Series

**These models** feature multiple cooling/heating speeds; vent/exhaust; adjustable thermostat; Auto Circulaire™; four-way adjustable air discharge; easy access filter



### AGE21DA

- 21,000/20,500 BTU, 8.5/8.5 EER, 11,600/9,400 BTU Heat, 230/208 Volts

### AGE14DA

- 14,000/13,500 BTU, 9.7/9.7 EER, 11,600/9,400 BTU Heat, 230/208 Volts

### AGE18DA

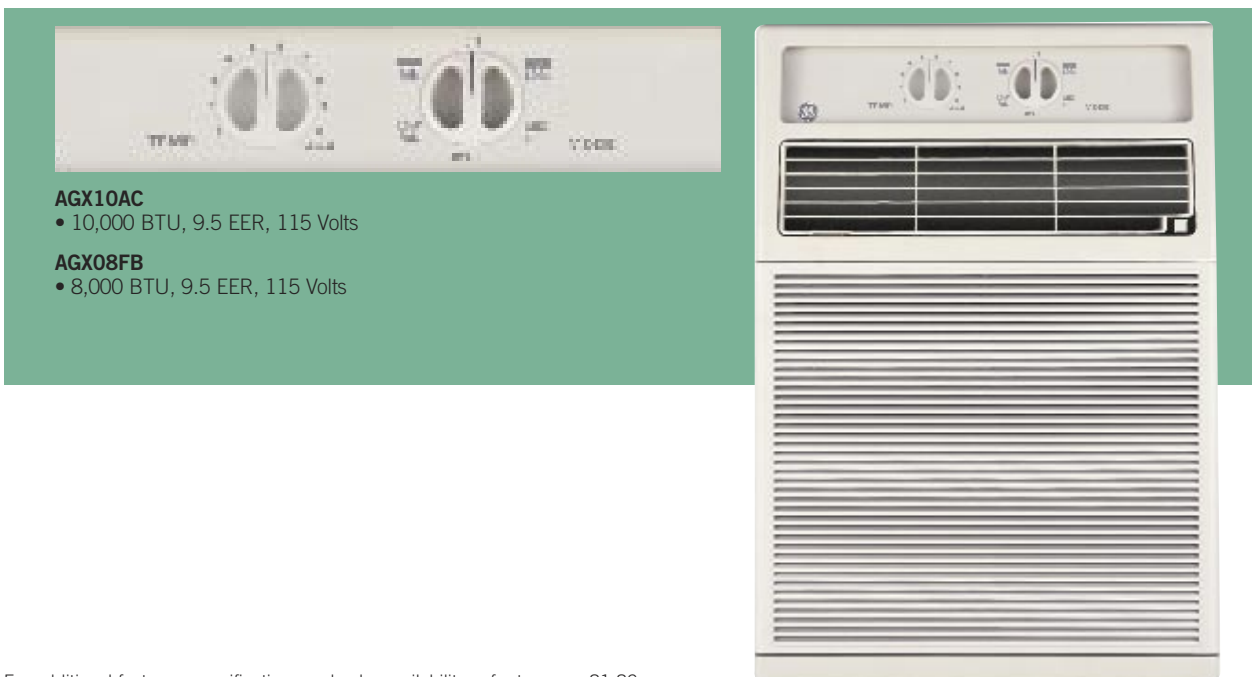
- 18,000/17,500 BTU, 9.7/9.7 EER, 11,600/9,400 BTU Heat, 230/208 Volts

### AGE12DB

- 12,000/11,500 BTU, 9.8/9.8 EER, 11,200/9,200 BTU Heat, 230/208 Volts  
(This model does not include Auto Circulaire™)

## GE Slide-Aire

**These models** feature 10-position thermostat; vertical slider kit panel; multiple cooling and fan speeds; four-way adjustable air discharge



### AGX10AC

- 10,000 BTU, 9.5 EER, 115 Volts

### AGX08FB

- 8,000 BTU, 9.5 EER, 115 Volts

For additional features, specifications and color availability, refer to pages 81-82.  
For warranty information, refer to page 83.



## GE Portable

**These models** feature contemporary design; electronic controls; digital temperature readout; 3 cool/3 fan speeds; 24-hour timer; Auto Circulaire; easy roll casters; adjustable exhaust hose

**APN10AA**

- 10,000 BTU, 120 Volts

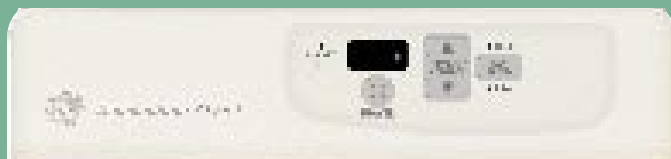
**APN08AA**

- 8,000 BTU, 120 Volts)



## GE Dehumidifiers

**These models** feature ENERGY STAR®-qualified; automatic humidistat control; electronic controls; automatic shut-off; easy roll casters; external drain connector; automatic defrost control



**AHG50LE**

- 50 pints per day

**AHG40LE**

- 40 pints per day

**AHG30LF**

- 30 pints per day  
(Not an ENERGY STAR® model)



For additional features, specifications and color availability, refer to page 82. For warranty information, refer to page 83.

# GE® ENERGY STAR®-Qualified Electronic Room Air Conditioners Specifications

	Deluxe 230 Volt		Deluxe 115 Volt						
	ASM24DE	AGM18DC	AGM14AC	AGM12AC	AGM10AC	AGM08FD	AGM06LC	ASM05LB	
<b>Features</b>									
BTUH	24,000/23,500	17,800/17,300	13,800	12,000	10,000	8,000	5,950	5,400	
Voltage	230/208	230/208	115	115	115	115	115	115	
E.E.R. (BTUH/Watt)	9.4/9.4	10.7/10.7	10.8	10.8	10.8	10.8	10.8	10.8	
Amps	11.5/12.4	7.4/7.9	12.0	10.2	8.5	6.8	5.0	4.5	
Watts	2,560/2,500	1,660/1,620	1,280	1,110	920	740	550	500	
Plug Type	Perpendicular	Tandem/Right Angle	Parallel/Right Angle	Parallel/Right Angle	Parallel/Right Angle	Parallel/Right Angle	Parallel/Right Angle	Parallel/Right Angle	
Energy Saver Feature	●	●	●	●	●	●	●	●	
Dehumidification (pints/hr.)	5.5	4.6	4.8	3.3	3.3	2.3	1.8	1.5	
Auto Circulaire™	●	●	●	●	●	●	●	●	
ENERGY STAR	●	●	●	●	●	●	●	●	
Fan Speeds (Cool/Fan Only)	3/3	3/3	3/3	3/3	3/3	3/3	3/3	3/3	
CFM (High Shown) (Indoor)	510	445	350	300	270	240	210	140	
Vent/exhaust	Exhaust	Exhaust	Exhaust	Exhaust	Exhaust	Exhaust	Exhaust	Exhaust	
Thermostat	Electronic	Electronic	Electronic	Electronic	Electronic	Electronic	Electronic	Electronic	
Filter Type	One Touch Lift-Out	Rigid Frame/Slide-Out	Rigid Frame/Slide-Out	Rigid Frame/Slide-Out	Rigid Frame/Slide-Out	Rigid Frame/Slide-Out	Rigid Frame/Slide-Out	Rigid Frame/Slide-Out	
Chassis	Slide-Out	Slide-Out	Slide-Out	Slide-Out	Slide-Out	Slide-Out	Slide-Out	Fixed	
Window Mounting	EZ Mount	EZ Mount	EZ Mount	EZ Mount	EZ Mount	EZ Mount	EZ Mount	EZ Mount	
Window Opening Height (min. in inches)	17-3/8	18	16	16	16	14	14	12-7/8	
Window Opening Width (in inches) min.	28-2/5	29	27	27	27	22	22	22	
max.	39-2/5	41	39	39	39	36	36	36	
Warranty* (Entire Unit)	Full 1-Yr.	Full 1-Yr.	Full 1-Yr.	Full 1-Yr.	Full 1-Yr.	Full 1-Yr.	Full 1-Yr.	Full 1-Yr.	
Warranty* (Sealed Ref. System)	Full 5-Yr.	Full 5-Yr.	Full 5-Yr.	Full 5-Yr.	Full 5-Yr.	Full 5-Yr.	Full 5-Yr.	Full 5-Yr.	
<b>Case Dimensions</b>									
Height (in inches) A	16-3/4	16-27/32	15	15	15	13-7/8	13-7/8	12-7/32	
Width (in inches) B	24-2/5	26	23-5/8	23-5/8	23-5/8	18-9/16	18-9/16	16-11/16	
Depth (in inches) C	23-2/3	24-15/16	20-9/32	20-9/32	20-9/32	19-5/32	19-5/32	12-7/16	
Depth to louvers (in inches) D	9-1/4	10-5/16	8-5/8	8-5/8	8-5/8	8-1/4	8-1/4	4-1/4	
Net Weight (lbs.)	130.1	124	88	80	79	62	57	41	
Approx. Shipping Weight (lbs.)	144.4	134	96	89	87	68	63	45.2	

## GE Electronic Room Air Conditioners Specifications

	230 Volt			115 Volt					
	ASQ24DA	AGQ18DC	AGQ12DC	ADQ14AA	ADQ12AA	AGQ10AC	AGQ08FB	AGQ06LB	ASQ05LA
<b>Features</b>									
BTUH	23,700/23,100	18,000/17,500	12,000/11,500	14,000	12,000	10,000	8,000	6,000	5,200
Voltage	230/208	230/208	230/208	115	115	115	115	115	115
E.E.R. (BTUH/Watt)	8.8/8.8	9.7/9.7	9.8/9.8	9.7	9.8	9.8	9.8	9.7	9.8
Amps	12.0/12.9	8.2/8.9	5.5/5.8	13.6	11.6	9.2	7.6	5.8	4.8
Watts	2,700/2,630	1,850/1,800	1,220/1,170	1,443	1,224	1,020	820	620	530
Plug Type	Perpendicular	Tandem	Tandem	Parallel/Right Angle	Parallel/Right Angle	Parallel/Right Angle	Parallel/Right Angle	Parallel/Right Angle	Parallel/Right Angle
Energy Saver Feature	●	●	●	●	●	●	●	●	●
Dehumidification (pints/hr.)	5.5	5.5	3.3	2.1	1.7	3.0	2.3	1.5	1.5
Auto Circulaire	●	●	●	●	●	●	●	●	●
Fan Speeds (Cool/Fan Only)	3/3	3/3	3/3	3/3	3/3	3/3	3/3	3/3	3/3
CFM (High Shown) (Indoor)	510	440	280	423	294	250	230	140	140
Vent/exhaust	Exhaust	Exhaust	Exhaust	Exhaust	Exhaust	Exhaust	Exhaust	Exhaust	Exhaust
Thermostat	Electronic	Electronic	Electronic	Electronic	Electronic	Electronic	Electronic	Electronic	Electronic
Filter Type	One Touch Lift-Out	Rigid Frame/Slide-Out	Rigid Frame/Slide-Out	Rigid Frame/Slide-Out	Rigid Frame/Slide-Out	Rigid Frame/Slide-Out	Rigid Frame/Slide-Out	Rigid Frame/Slide-Out	Rigid Frame/Slide-Out
Chassis	Slide-Out	Slide-Out	Slide-Out	Slide-Out	Slide-Out	Slide-Out	Slide-Out	Fixed	Fixed
Window Mounting	EZ Mount	EZ Mount	EZ Mount	EZ Mount	EZ Mount	EZ Mount	EZ Mount	EZ Mount	EZ Mount
Window Opening Height (min. in inches)	17-3/8	18	16	19	19	14	14	13	12-7/8
Window Opening Width (in inches) min.	28-2/5	29	27	30	30	22	22	22	22
max.	39-2/5	41	39	42	42	36	36	36	36
Warranty* (Entire Unit)	Full 1-Yr.	Full 1-Yr.	Full 1-Yr.	Full 1-Yr.	Full 1-Yr.	Full 1-Yr.	Full 1-Yr.	Full 1-Yr.	Full 1-Yr.
Warranty* (Sealed Ref. System)	Full 5-Yr.	Full 5-Yr.	Full 5-Yr.	Full 5-Yr.	Full 5-Yr.	Full 5-Yr.	Full 5-Yr.	Full 5-Yr.	Full 5-Yr.
<b>Case Dimensions</b>									
Height (in inches) A	16-3/4	16-27/32	15	17-1/8	17-1/8	13-7/8	13-7/8	12-9/32	12-7/32
Width (in inches) B	24-2/5	26	23-5/8	26	26	18-7/16	18-7/16	16-11/16	16-11/16
Depth (in inches) C	23-2/3	24-15/16	20-9/32	24-5/8	24-5/8	19-5/32	19-5/32	12-7/16	12-7/16
Depth to louvers (in inches) D	9-1/4	10-5/16	8-5/8	8-9/32	8-9/32	8-1/4	8-1/4	6-1/4	4-1/4
Net Weight (lbs.)	124.6	117	80	122	116	69	60	46	41
Approx. Shipping Weight (lbs.)	138.9	127	89	149	144	75	66	50	45.2

\*See written warranty for details.

# GE ENERGY STAR-Qualified Mechanical Room Air Conditioners Specifications

Features	Deluxe 230 Volt		Deluxe 115 Volt					
	ASF24DB	AGF18DB	AGF14AB	AGF12AB	AGF10AB	AGF08FB	AGF06LB	ASF05LA
BTUH	24,000/23,500	17,800/17,300	13,800	12,000	10,000	8,000	5,950	5,400
Voltage	230/208	230/208	115	115	115	115	115	115
E.E.R. (BTUH/Watt)	9.4/9.4	10.7/10.7	10.8	10.8	10.8	10.8	10.8	10.8
Amps	11.5/12.4	7.4/7.9	12.0	10.2	8.5	6.8	5.0	4.5
Watts	2,520/2,460	1,660/1,620	1,280	1,110	920	740	550	530
Plug Type	Perpendicular	Tandem	Parallel	Parallel	Parallel	Parallel	Parallel	Parallel
Energy Saver Feature	●	●	●					
Dehumidification (pints/hr.)	5.5	4.6	4.6	3.3	3.3	2.3	1.8	1.5
Auto Circulaire	●	●	●					
ENERGY STAR	●	●	●	●	●	●	●	●
Fan Speeds (Cool/Fan Only)	3/2	3/2	3/2	3/2	3/2	3/2	3/2	3/2
CFM (High Shown) (Indoor)	510	445	350	300	270	240	210	140
Vent/exhaust	Exhaust	Exhaust	Exhaust	Exhaust	Exhaust	Exhaust	Exhaust	Exhaust
Thermostat	8-Position	8-Position	8-Position	8-Position	8-Position	8-Position	8-Position	8-Position
Filter Type	One Touch Lift-Out	Rigid Frame/Slide-Out	Rigid Frame/Slide-Out	Rigid Frame/Slide-Out	Rigid Frame/Slide-Out	Rigid Frame/Slide-Out	Rigid Frame/Slide-Out	Rigid Frame/Slide-Out
Chassis	Slide-Out	Slide-Out	Slide-Out	Slide-Out	Slide-Out	Slide-Out	Slide-Out	Fixed
Window Mounting	EZ Mount	EZ Mount	EZ Mount	EZ Mount	EZ Mount	EZ Mount	EZ Mount	EZ Mount
Window Opening Height (min. in inches)	17-3/8	18	16	16	16	14	14	12-7/8
Window Opening Width (in inches) min.	28-2/5	29	27	27	27	22	22	22
max.	39-2/5	41	39	39	39	36	36	36
Warranty* (Entire Unit)	Full 1-Yr.	Full 1-Yr.	Full 1-Yr.	Full 1-Yr.	Full 1-Yr.	Full 1-Yr.	Full 1-Yr.	Full 1-Yr.
Warranty* (Sealed Ref. System)	Full 5-Yr.	Full 5-Yr.	Full 5-Yr.	Full 5-Yr.	Full 5-Yr.	Full 5-Yr.	Full 5-Yr.	Full 5-Yr.
<b>Case Dimensions</b>								
Height (in inches) A	16-3/4	16-27/32	15	15	15	13-7/8	13-7/8	12-7/32
Width (in inches) B	24-2/5	26	23-5/8	23-5/8	23-5/8	18-9/16	18-9/16	16-11/16
Depth (in inches) C	23-2/3	24-15/16	20-9/32	20-9/32	20-9/32	19-5/32	19-5/32	12-7/16
Depth to louvers (in inches) D	9-1/4	10-5/16	8-5/8	8-5/8	8-5/8	8-1/4	8-1/4	4-1/4
Net Weight (lbs.)	130.1	124	88	80	79	62	57	41
Approx. Shipping Weight (lbs.)	144.4	134	96	89	87	68	63	45.2

# GE Mechanical Room Air Conditioners Specifications

Features	230 Volt		115 Volt					
	ASV24DB	AGV18DF	ADV14AA	ADV12AA	AGV10AE	AGV08FC	AGV06LA	ASV05LD
BTUH	23,700/23,100	18,000/17,500	14,000	12,000	10,000	8,000	6,000	5,200
Voltage	230/208	230/208	115	115	115	115	115	115
E.E.R. (BTUH/Watt)	8.8/8.8	9.7/9.7	9.7	9.8	9.8	9.8	9.7	9.8
Amps	12.0/12.9	8.2/8.9	13.6	11.6	9.2	7.6	5.8	4.8
Watts	2,700/2,630	1,850/1,800	1,443	1,224	1,020	820	620	530
Plug Type	Perpendicular	Tandem	Parallel	Parallel	Parallel	Parallel	Parallel	Parallel
Energy Saver Feature	●	●	●					
Dehumidification (pints/hr.)	5.5	5.5	2.1	1.7	3.0	2.3	1.5	1.5
Auto Circulaire	●	●	●					
Fan Speeds (Cool/Fan Only)	3/2	3/2	3/2	3/2	3/2	3/2	3/2	3/2
CFM (High Shown) (Indoor)	510	440	423	294	250	230	140	140
Vent/exhaust	Exhaust	Exhaust	Exhaust	Exhaust	Exhaust	Exhaust	Exhaust	Exhaust
Thermostat	8-Position	8-Position	8-Position	8-Position	8-Position	8-Position	8-Position	8-Position
Filter Type	One Touch Lift-Out	Rigid Frame/Slide-Out	Rigid Frame/Slide-Out	Rigid Frame/Slide-Out	Rigid Frame/Slide-Out	Rigid Frame/Slide-Out	Rigid Frame/Slide-Out	Rigid Frame/Slide-Out
Chassis	Slide-Out	Slide-Out	Slide-Out	Slide-Out	Slide-Out	Slide-Out	Fixed	Fixed
Window Mounting	EZ Mount	EZ Mount	EZ Mount	EZ Mount	EZ Mount	EZ Mount	EZ Mount	EZ Mount
Window Opening Height (min. in inches)	17-3/8	18	19	19	14	14	13	12-7/8
Window Opening Width (in inches) min.	28-2/5	29	30	30	22	22	22	22
max.	39-2/5	41	42	42	36	36	36	36
Warranty* (Entire Unit)	Full 1-Yr.	Full 1-Yr.	Full 1-Yr.	Full 1-Yr.	Full 1-Yr.	Full 1-Yr.	Full 1-Yr.	Full 1-Yr.
Warranty* (Sealed Ref. System)	Full 5-Yr.	Full 5-Yr.	Full 5-Yr.	Full 5-Yr.	Full 5-Yr.	Full 5-Yr.	Full 5-Yr.	Full 5-Yr.
<b>Case Dimensions</b>								
Height (in inches) A	16-3/4	16-27/32	17-1/8	17-1/8	13-7/8	13-7/8	12-9/32	12-7/32
Width (in inches) B	24-2/5	26	26	26	18-9/16	18-7/16	18-9/16	16-11/16
Depth (in inches) C	23-2/3	24-15/16	24-5/8	24-5/8	19-5/32	19-5/32	13-27/32	12-7/16
Depth to louvers (in inches) D	9-1/4	10-5/16	8-9/32	8-9/32	8-1/4	8-1/4	6-1/4	4-1/4
Net Weight (lbs.)	124.6	117	122	116	69	60	46	41
Approx. Shipping Weight (lbs.)	138.9	127	149	144	75	66	50	45.2

\*See written warranty for details.

See page 83 for warranty information.

# GE® Built-In “J” Series Cool Only Specifications

GE															
Models	Electronic Units					Mechanical Units						High-Mount Units			
	AJQC06LCB	AJQC08ACB	AJQC10ACB	AJQC10DCB	AJQC12DCB	AJCS06LCB	AJCS08ACB	AJCS10ACB	AJCS09DCB	AJCS10DCB	AJCS12DCB	AJCH08ACB	AJCH10ACB	AJCH10DCB	AJCH12DCB
ENERGY STAR®	•	•	•	•	•	•	•	•	•	•	•	•	•	•	•
<b>Voltage</b>	115	115	115	230/208	230/208	115	115	115	230/208	230/208	230/208	115	115	230/208	230/208
<b>Cooling Capacity</b>															
BTUH-AHAM	6000	8000	9900	9900/9700	11600/11400	6000	8000	9900	8900/8700	9900/9700	11600/11400	8000	9900	9900/9700	11600/11400
Amps-AHAM	5.7	7.9	9.7	4.9/5.3	5.8/6.3	5.7	7.9	9.7	4.2/4.6	4.9/5.3	5.8/6.3	7.9	9.7	4.9/5.3	5.8/6.3
Watts Input	600	840	1040	1040/1020	1220/1200	600	840	1040	935/915	1040/1020	1220/1200	840	1040	1040/1020	1220/1200
EER	10.0	9.5	9.5	9.5/9.5	9.5/9.5	10.0	9.5	9.5	9.5/9.5	9.5/9.5	9.5/9.5	9.5	9.5	9.5/9.5	9.5/9.5
Dehumidification (Pts./Hr.)	1.4	2.1	2.9	2.9	3.4	1.4	2.1	2.9	2.5	2.9	3.4	2.1	2.9	2.9	3.4
<b>Features</b>															
Line Cord Plug	Parallel	Parallel	Parallel	Tandem	Tandem	Parallel	Parallel	Parallel	Tandem	Tandem	Tandem	Parallel	Parallel	Tandem	Tandem
Recommended Circuit Protection (Time Delay)	15 Amps	15 Amps	15 Amps	15 Amps	15 Amps	15 Amps	15 Amps	15 Amps	15 Amps	15 Amps	15 Amps	15 Amps	15 Amps	15 Amps	15 Amps
Fan Speeds	3	3	3	3	3	2	2	2	2	2	2	2	2	2	2
Fan Only Setting	3	3	3	3	3	2	2	2	2	2	2	2	2	2	2
Air Flow (CFM) Roomside Hi/Low	212/184	240/212	282/254	282/254	304/279	212/184	240/212	282/254	282/254	282/254	304/279	240/212	282/254	282/254	304/279
Air Exchange Exhaust	•	•	•	•	•	•	•	•	•	•	•	•	•	•	•
Fan Cycle Switch	•	•	•	•	•	•	•	•	•	•	•	•	•	•	•
Rotary Compressor	•	•	•	•	•	•	•	•	•	•	•	•	•	•	•
Slide-Out Chassis	•	•	•	•	•	•	•	•	•	•	•	•	•	•	•
Installation	In Wall	In Wall	In Wall	In Wall	In Wall	In Wall	In Wall	In Wall	In Wall	In Wall	In Wall	In Wall	In Wall	In Wall	In Wall
Wall Case Required	RAB46/47/48	RAB46/47/48	RAB46/47/48	RAB46/47/48	RAB46/47/48	RAB46/47/48	RAB46/47/48	RAB46/47/48	RAB46/47/48	RAB46/47/48	RAB46/47/48	RAB46/47/48	RAB46/47/48	RAB46/47/48	RAB46/47/48
Approximate Net Weight (lbs.)	63	68	77	77	79	63	68	77	69	77	79	69	78	78	80
Approximate Shipping Wt. (lbs.)	72	77	86	86	88	72	77	86	79	86	88	78	87	87	89

# GE Built-In “J” Series Heat/Cool and Heat Pumps Specifications

GE											
Model	Heat/Cool Units						High-Mount	Heat Pumps			
	AJES06LSB*	AJES08ASB*	AJES10DSB	AJES09DCB	AJES10DCB	AJES12DCB	AJEH12DCB	AJHS08ASB*	AJHS08DCB	AJHS10DCB	
<b>Voltage</b>	115	115	230/208	230/208	230/208	230/208	230/208	115	230/208	230/208	
<b>Cooling Capacity</b>											
BTUH-AHAM	6000	8000	9900/9700	8900/8700	9900/9700	11600/11400	11600/11400	8000	8000/7800	9900/9700	
Amps-AHAM	5.7	7.9	4.9/5.3	4.2/4.6	4.9/5.3	5.8/6.3	5.8/6.3	7.9	4.0/4.3	4.9/5.3	
Watts Input	600	840	1040/1020	935/915	1040/1020	1220/1200	1220/1200	840	840/820	1040/1020	
EER	10.0	9.5	9.5/9.5	9.5/9.5	9.5/9.5	9.5/9.5	9.5/9.5	9.5	9.5/9.5	9.5/9.5	
Dehumidification (Pts./Hr.)	1.4	2.1	2.9	2.5	2.9	3.4	3.4	2.1	2.1	2.9	
<b>Reverse Cycle Heating</b>											
BTU-AHAM								7700	7700/7500	9700/9500	
C.O.P. at 47°F								3.0	3.0/3.0	3.0/3.0	
Amps-AHAM								6.8	3.4/3.7	4.3/4.7	
Watts Input								750	750/730	950/930	
<b>Electric Resistance Heating</b>											
BTUH	4100	4100	11600/9500	11600/9500	11600/9500	11600/9500	11600/9500	4100	11600/9500	11600/9500	
Amps	12.0	12.0	16.0	16.0	16.0	16.0	16.0	12.0	16.0	16.0	
Watts Input @ 230V	1380	1380	3670/3010	3670/3010	3670/3010	3680/3020	3680/3020	1380	3660/3000	3680/3020	
<b>Features</b>											
Line Cord Plug	Parallel	Parallel	Perp.	Perp.	Perp.	Perp.	Perp.	Parallel	Perp.	Perp.	
Recommended Circuit Protection (Time Delay)	15 Amps	15 Amps	20 Amps	20 Amps	20 Amps	20 Amps	20 Amps	15 Amps	20 Amps	20 Amps	
Fan Cycle Switch	•	•	•	•	•	•	•	•	•	•	
Fan Speeds, Heating/Cooling	2/2	2/2	2/2	2/2	2/2	2/2	2/2	2/2	2/2	2/2	
Fan Only Setting	2	2	2	2	2	2	2	2	2	2	
Air Flow (CFM) Roomside Hi/Low	212/184	240/212	282/254	282/254	282/254	304/279	304/279	237/212	237/212	304/279	
Air Exchange Exhaust	•	•	•	•	•	•	•	•	•	•	
Rotary Compressor	•	•	•	•	•	•	•	•	•	•	
Slide-Out Chassis	•	•	•	•	•	•	•	•	•	•	
Installation	Window/Wall	Window/Wall	Window/Wall	In Wall	In Wall	In Wall	In Wall	Window/Wall	In Wall	In Wall	
Wall Case Required	Included	Included	Included	RAB46/47/48	RAB46/47/48	RAB46/47/48	RAB46/47/48	Included	RAB46/47/48	RAB46/47/48	
Window Installation Kit	Std. Mount	Std. Mount	Std. Mount	Optional	Optional	Optional	Optional	Std. Mount	Optional	Optional	
Approximate Net Weight (Lbs.)	82	87	96	71	78	80	81	TBD	TBD	TBD	
Approximate Shipping Wt. (Lbs.)	97	102	111	80	88	90	90	TBD	TBD	TBD	

All cooling with electric heat models and heat pumps are corrosion treated. Specifications and design subject to change without notice. \*These units are not intended to be the primary source of heat.

## Air Conditioner Tips

**Air Flow** – Keep air filters clean. Do not block air flow areas.

**Roomside View** – J-models feature concealed power cord storage, this eliminates excessive cord exposure when receptacle is located close to unit.

See page 83 for warranty information.

## Accessories

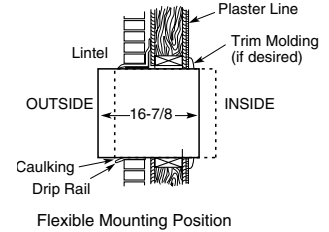
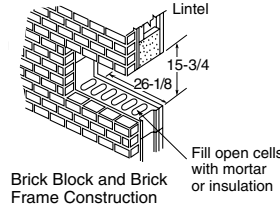
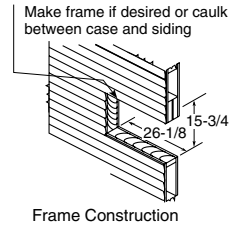
Other accessories are available, they include: Fedders and Whirlpool sleeve adapters. Drain kits and Chassis adapters for old Hotpoint cases.

# Built-In Room Air Conditioners Specifications

## Wall opening for RAB46/47/48 Cases

A finished opening of 26-1/8" x 15-3/4", clear of intrusions, is required. Keep clearance of 4" from side walls. Brick veneer or frame walls should have wood studding surrounding case to provide firm anchoring with screws. Case can be fastened directly to brick or block walls with screws sunk in lead expansion shields.

**Note:** Units should be caulked on all four sides of case to the building exterior to assure building integrity.

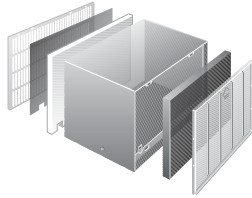


## Two Wall Cases for Tenant Option Installation

When the air conditioner is offered as a tenant option, these wall cases provide protection against outside elements.

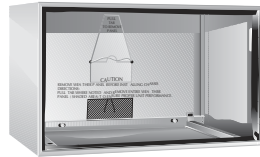
**RAB47**—includes wall case, exterior grille and steel closure panels.

**RAB48**—includes wall case, exterior grille, steel closure panel and two layers of insulation.



## Standard Wall Case RAB46

Solid-sided wall case fabricated of galvanized steel with baked enamel finish. Welded areas are coated with a sealing compound to help resist rust and corrosion. Polymer gasket surrounds opening to assure tight weather seal. Aluminum grille (RAG13) is included. Panels on interior and between case and grille provide weather protection prior to installation of chassis.



**Parallel**  
115V.  
15 Amp.



**Tandem**  
230/208V.  
15 Amp.



**Perpendicular**  
230/208V.  
20 Amp.

## Wall Outlets

All wiring, including installation of receptacle, must be made in accordance with local electrical codes and regulations. Electrical outlet should be in reach of line cord.

**Note:** Aluminum wiring may pose special problems—consult a qualified electrician.

**Note:** Some models may not be available in your area due to local legislation. Contact your local dealer.

**Note:** When installing slide out chassis units in through-the-wall applications, keep louvers free. Do not restrict air flow areas. Fixed chassis units are not suitable for through-the-wall applications.



Total capacity and E.E.R. ratings are calculated based on the Association of Home Appliance Manufacturers' standards.

# Heat/Cool Specifications

GE				
Heat/Cool Units				
Model	AGE12DB	AGE14DA	AGE18DA	AGE21DA
<b>Voltage</b>	230/208	230/208	230/208	230/208
<b>Cooling Capacity</b>				
BTUH-AHAM	12,000/11,500	14,000/13,500	18,000/17,500	21,000/20,500
Amps-AHAM	5.5/5.8	6.4/6.8	8.3/9.0	10.8/11.8
Watts Input	1,220/1,170	1,440/1,390	1,850/1,800	2,470/2,410
EER	9.8/9.8	9.7/9.7	9.7/9.7	8.5/8.5
Dehumidification (Pts./Hr.)	3.3	4.6	5.5	6.3
<b>Electric Resistance Heating</b>				
BTUH	11,200/9,200	11,600/9,400	11,600/9,400	11,600/9,400
Amps	15.3/14	16/15	16/15	16/15
Watts Input @ 230V	3,500/2,900	3,670/3,100	3,670/3,100	3,720/3,150
<b>Features</b>				
Line Cord Plug	Perp.	Perp.	Perp.	Perp.
Recommended Circuit Protection (Time Delay)	20 Amps	20 Amps	20 Amps	20 Amps
Fan Speeds, Heating/Cooling	2/2	2/2	2/2	2/2
Fan Only Setting	1	1	1	1
Air Flow (CFM) Roomside Hi/Low	300	434	425	405
Air Exchange Exhaust	•	•	•	•
Rotary Compressor	•	•	•	•
Slide-Out Chassis	•	•	•	•
Window Installation Kit	EZ Mount	EZ Mount	EZ Mount	EZ Mount
Approximate Net Weight (Lbs.)	90	112	120	135
Approximate Shipping Wt. (Lbs.)	96	125	133	143

See page 83 for warranty information.



## GE® Slide Aire Specifications

	GE	
	AGX10AC	AGX08FB
<b>Features</b>		
BTUH	10,000	8,000
Voltage	115	115
E.E.R. (BTUH/Watt)	9.5	9.5
Amps	9.6	7.7
Watts	1,050	840
Plug Type	Parallel	Parallel
Dehumidification (pints/hr.)	3.5	2.3
Fan Speeds (Cool/Fan Only)	3/2	3/2
CFM (High Shown) (Indoor)	280	250
Vent/exhaust	Exhaust	Exhaust
Thermostat	10-Position	10-Position
Filter Type	Rigid frame/ Slide-out	Rigid frame/ Slide-out
Chassis	Fixed	Fixed
Window Mounting	V-Std. Mount	V-Std. Mount
Window Opening Height	min. 21-1/2 max. 40-1/2	21-1/2 40-1/2
Window Opening Width (in inches) min.	15-1/2	15-1/2
Warranty* (Entire Unit)	Full 1-Yr.	Full 1-Yr.
Warranty* (Sealed Ref. System)	Full 5-Yr.	Full 5-Yr.
<b>Case Dimensions</b>		
Height (in inches) <b>A</b>	20-1/2	20-1/2
Width (in inches) <b>B</b>	14-1/2	14-1/2
Depth (in inches) <b>C</b>	23	23
Depth to louvers (in inches) <b>D</b>	9	9
Net Weight (lbs.)	76-1/4	64
Approx. Shipping Weight (lbs.)	88.5	76.3

## GE Portable Specifications

	GE	
	APN10AA	APN08AA
<b>Features</b>		
BTUH	10,000	8,000
Voltage	120	120
Amps	11.6	10.5
Plug Type	Parallel	Parallel
Dehumidification (pints/hr.)	4.0	3.2
Timer	24-Hour	24-Hour
Fan Speeds (Cool/Fan Only)	3/3	3/3
Vent/exhaust	Exhaust	Exhaust
Thermostat	Electronic	Electronic
Filter Type	Rigid frame/ Slide-out	Rigid frame/ Slide-out
Window Mounting	V-Std. Mount	V-Std. Mount
Window Opening Height (min./max. in inches)	40-1/2	40-1/2
Window Opening Width (min. in inches)	28-2/5	28-2/5
Warranty* (Entire Unit)	Full 1-Yr.	Full 1-Yr.
Warranty* (Sealed Ref. System)	Full 5-Yr.	Full 5-Yr.
<b>Case Dimensions</b>		
Height (in inches)	33.3	33.3
Width (in inches)	17.7	17.7
Depth (in inches)	18.6	18.6
Net Weight (lbs.)	85.7	81.8
Approx. Shipping Weight (lbs.)	100.8	97

\*See written warranty for details.

## GE Dehumidifier Specifications

	GE		
	ENERGY STAR®	ENERGY STAR	
	AHG50LE	AHG40LE	AHG30LF
<b>Features</b>			
Dehumidification (pints/day)	50	40	30
Dry Airflow (CFM)	125/115	125/115	140/127
Color	Cameo White	Cameo White	Cameo White
Auto Shut Off	●	●	●
Automatic Defrost	●	●	●
Water Full Indicator	●	●	●
Fan speeds	2	2	2
Removable bucket	●	●	●
Bucket capacity (pints)	21	21	21
External drain connector	●	●	●
Casters - 4 movable	●	●	●
Voltage	115	115	115
Watts	600	580	480
Amps	6.0	5.4	5.8
Circuit size (Amps)	15	15	15
Plug type	Parallel	Parallel	Parallel
<b>Case Dimensions</b>			
Height (in inches)	20-7/8	20-7/8	20-7/8
Width (in inches)	12-5/8	12-5/8	12-5/8
Depth (in inches)	17-1/8	17-1/8	17-1/8
Shipping weight (lbs.)	43.2	40.1	52.6
Net weight (lbs.)	39.5	36.14	48.7



**Parallel**  
115V.  
15 Amp.



**Perpendicular**  
230/208V.  
20 Amp.



**Tandem**  
230/208V.  
15 Amp.



**Large Tandem**  
230/208V.  
30 Amp.

**Note:** When installing slide-out chassis units in through-the-wall applications, keep louvers free. Do not restrict air flow areas. Fixed chassis units are not suitable for through-the-wall applications.

**Note:** Some models may not be available in your area due to local legislation. Contact your local dealer.

### Wall Outlets

All wiring, including installation of receptacle, must be made in accordance with local electrical codes and regulations. Electrical outlet should be in reach of line cord.

**Note:** Aluminum building wiring may pose special problems—consult a qualified electrician.

## Warranties at a glance

The condensed list below is a convenient overview of the written warranties offered on various Hotpoint and GE® appliances described in this catalog. For complete warranty details on a specific appliance model, contact your nearest Hotpoint/GE appliance dealer, or call GE Factory Service, toll-free, 800-GE-CARES (800-432-2737).

Appliance	Length	Type	Warranty Covers	Parts Or Labor	Where Serviced*
Refrigerators (All models except GMR02BAN, GMR04AAM and GMR06AAP)	1-Year	Full	Entire Appliance	Both	In-Home
	Additional 4-Year (5 years total)	Limited	Sealed Refrig. System Compressor	Both	In-Home
Refrigerators (Models GMR02BAN, GMR04AAM, GMR06AAP)	1-Year	Limited	Entire Appliance	Both	Carry-In**
	Additional 4-Year (5 years total)	Limited	Compressor	Part	Carry-In**
Freezers (Upright and Chest)	1-Year	Limited	Entire Appliance	Both	In-Home
	Additional 4-Year (5 years total)	Full	Sealed Refrig. System	Both	In-Home
	1-Year/5-Year††	Full	Food Spoilage†	N/A	N/A
Washers	1-Year	Full	Entire Appliance	Both	In-Home
	Additional 4-Year (5 years total)	Limited	Transmission	Parts	In-Home***
	Additional 19-Year (20 years total)	Limited	Tuf Tub™ basket	Parts	In-Home***
GE Spacemaker® Washers	1-Year	Full	Entire Appliance	Both	In-Home
	Additional 4-Year (5 years total)	Limited	Transmission	Parts	In-Home***
Dryers	1-Year	Full	Entire Appliance	Both	In-Home
Ranges	1-Year	Full	Entire Appliance	Both	In-Home
	Additional 4-Year (5 years total)	Limited	Ceramic cooktop, Pattern, Radiant elements	Parts	In-Home***
Hoods	1-Year	Full	Entire Appliance	Both	In-Home
GE Spacemaker® Over-the-Range Microwave Ovens	1-Year	Full	Entire Appliance	Both	In-Home
	Additional 9-Year (10 years total)	Limited	Magnetron Tube	Part	In-Home
Counter Saver Plus™ Over-the-Range Microwave Ovens	1-Year	Full	Entire Appliance	Both	In-Home
	Additional 4-Year (5 years total)	Limited	Magnetron Tube	Part	In-Home***
Microwave Ovens (Models JE1860 and JEM25)	1-Year	Limited	Entire Appliance	Both	In-Home
	Additional 9-Year (10 years total)	Limited	Magnetron Tube	Part	In-Home
Microwave Ovens (Models JE1460, JE1160 and JE740)	1-Year	Limited	Entire Appliance	Both	Carry-In**
	Additional 9-Year (10 years total)	Limited	Magnetron Tube	Part	Carry-In**
Microwave Ovens (Models JES1384, JES1290 and JES1288)	1-Year	Limited	Entire Appliance	Both	Carry-In**
	Additional 4-Year (5 years total)	Limited	Magnetron Tube	Part	Carry-In**
Dishwashers (Models HDA3740GSA, HDA3700GWW/CC/BB, HDA3400GWW/CC/BB, HDA2000GWW/CC/BB)	1-Year	Full	Entire Appliance	Both	In-Home
	Additional 9-Year (10 years total)	Full	Polypropylene Tub and Door Liner	Both	In-Home
Dishwashers (Models HDA1000GWH and GSM1800JWW/BB)	1-Year	Full	Entire Appliance	Both	In-Home
Dishwashers (Models GSC3400JWW/BB, GSC3200JWW/BB, GSM2100GWW/CC/BB)	1 Year	Full	Entire Appliance	Both	In-Home
	Additional 1-Year (2 years total)	Limited	Water Distrib. System	Parts	In-Home***
	Additional 9-Year (10 years total)	Full	PermaTuf® Tub and Door Liner	Both	In-Home
Disposers (Models GFC320F, GFC325F, GFC520F, GFC525F, GF530F, GFC535F, GFC720F, GFB760F, GFC1020F)	1-Year	Full	Entire Appliance	Both	In-Home
Disposers (Models GFC520F, GFC525F)	Additional 1-Year (2 years total)	Limited	Entire Appliance	Parts	In-Home***
Disposers (Models GFC530F, GFC535F)	Additional 2-Years (3 years total)	Limited	Entire Appliance	Parts	In-Home***
Disposers (Models GFC720F, GFB760F)	Additional 4-Years (5 years total)	Limited	Entire Appliance	Parts	In-Home***
Disposers (Model GFC1020F)	Additional 6-Years (7 years total)	Limited	Entire Appliance	Parts	In-Home***
Compactors	1-Year	Full	Entire Appliance	Both	In-Home
Room Air Conditioners (Window, Window Built-In)	1-Year	Full	Entire Appliance	Both	In-Home
	Additional 4-Year (5 years total)	Full	Sealed Refrig. System	Both	In-Home
Dehumidifiers	1-Year	Full	Entire Appliance	Both	In-Home
	Additional 4-Year (5 years total)	Full	Sealed Refrig. System	Both	In-Home

\*See warranty for details.

\*\*In-Home service available at additional cost.

\*\*\*Does not include trip charge to home or other service costs.

†Cumulative limits: \$100—14.9 cu. ft. and smaller; \$150—15.0 cu. ft. and larger.

††One year on spoilage from any part failure. Five years on spoilage from sealed refrigerant system failure.

## Consumer Services

Visit us at [hotpoint.com](http://hotpoint.com)



### We're surfer-friendly!

Completely comprehensive, this site provides you with virtually everything you need to know about Hotpoint® appliances, parts, accessories and service. And, it's also surfer-friendly, so your searches won't be endless—they'll be effortless!

Industry leading support—



### The GE Answer Center® Information Service 800.626.2000. (GEAppliances.com)

Questions? Call any time.

Before or after you buy any GE or Hotpoint appliance, ask us about the features, product comparisons, pricing and where to find it. Call us any time.

We never close.

### GE Genuine Parts 800.626.2002.

Enhance, upgrade or fix it. Check out our accessories!

Accessories can make great GE or Hotpoint products even better. Replacement parts for GE, Hotpoint and most other brands, too. Fast delivery, convenient, direct.

### GE Appliance Service 800.432.2737 (800.GE.CARES) Same day or next day service.

If you ever need product service, we'll come where and when you want—at your convenience. We're the largest manufacturer-owned service organization in the appliance industry. Same or next day service in most cases.

Hotpoint has a policy of continuous improvement on its products and reserves the right to change materials and specifications without notice.

# HOTPOINT®

For now. For the long run.