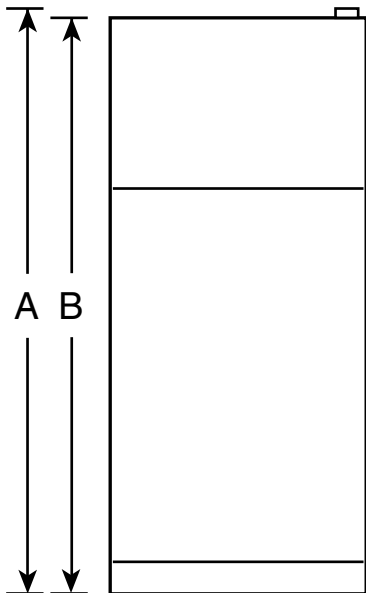


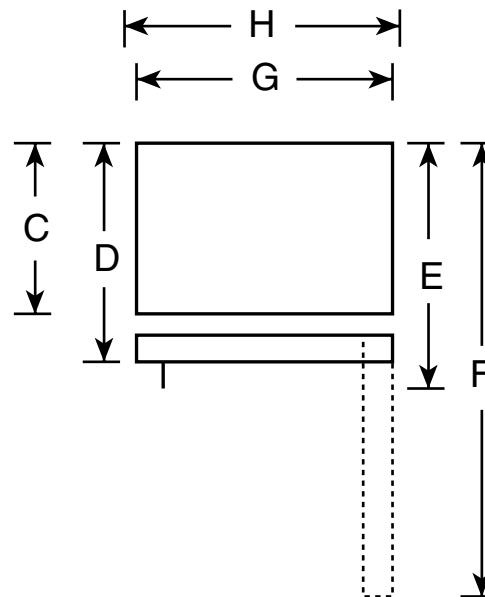
# HOTPOINT®

## HTS16HBR – Hotpoint 15.6 Cu. Ft. Top-Freezer Refrigerator

Front View



Top View



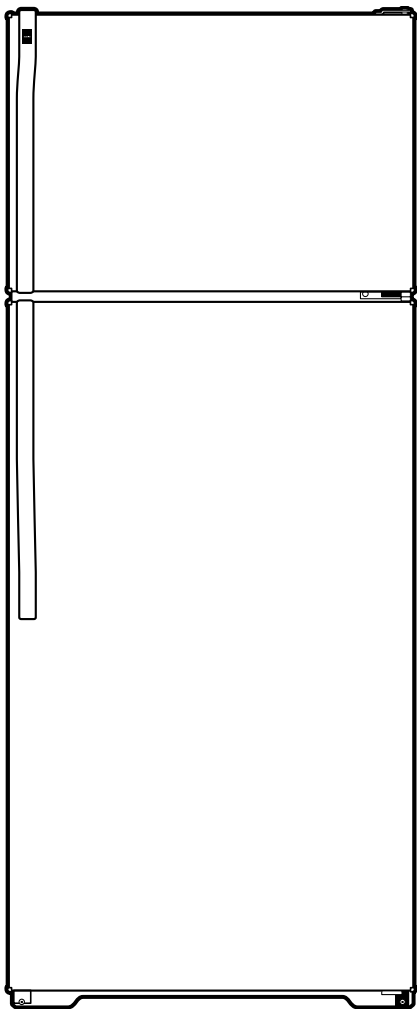
Overall Dimensions	Height with hinge (in.) <b>A</b>	<b>64-3/4</b>
	Height without hinge (in.) <b>B</b>	<b>64-1/4</b>
	Depth without Doors (in.) <b>C</b>	<b>25-7/8</b>
	Depth with Doors (in.) <b>D</b>	<b>29-1/8</b>
	Depth plus Handle with Doors Closed (in.) <b>E</b>	<b>31</b>
	Depth with Doors open 90° (in.) <b>F</b>	<b>54-7/8</b>
	Width with Doors Closed (in.) <b>G</b>	<b>28</b>
	Width with Doors open 90° Less Door Handles (in.) <b>H</b>	<b>28-5/8</b>
Air Clearances	Each side (in.)	<b>3/4</b>
	Top (in.)	<b>1</b>
	Back (in.)	<b>1</b>

**Note:** Before installing, consult installation instructions packed with product for current dimensional data.





## HTS16HBR – Hotpoint 15.6 Cu. Ft. Top-Freezer Refrigerator



### Features and Benefits

- 15.6 cu. ft. Capacity (Fresh Food 11.69 cu. ft./Freezer 3.86 cu. ft.)
- Equipped for Optional Automatic Icemaker
- 2 Vegetable/Fruit Crispers
- Snack Pan
- 2 Split, 1 Full-Width (Adjustable) Glass Fresh Food Cabinet Shelves
- 2 Fixed Fresh Food Door Shelves with Gallon Storage
- Dairy Compartment
- Utility Bin
- Step Shelf
- 2 Fixed Freezer Door Shelves
- 2 Ice 'n Easy Trays
- Deluxe Quiet Design
- Color-Matched Door Handles
- Model HTS16HBRWW – White on white
- Model HTS16HBRCC – Bisque on bisque