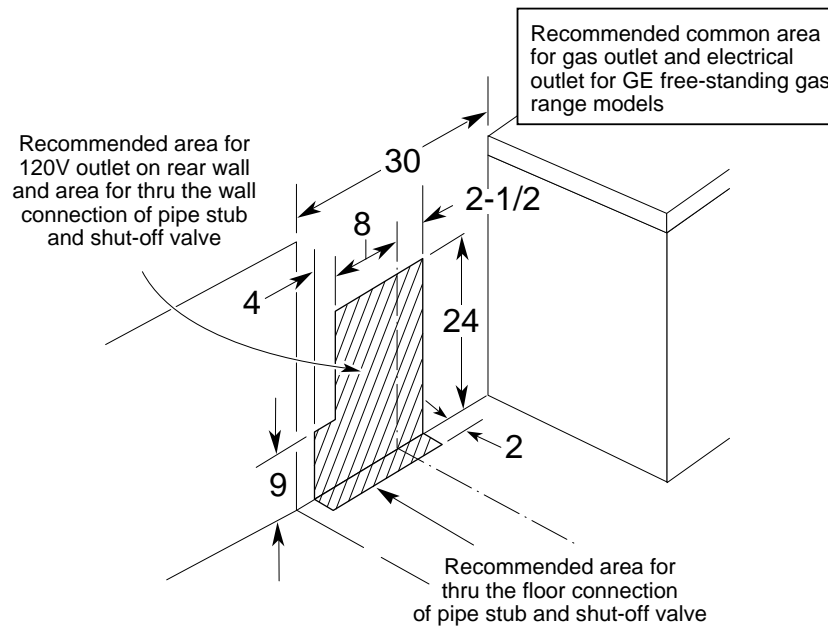
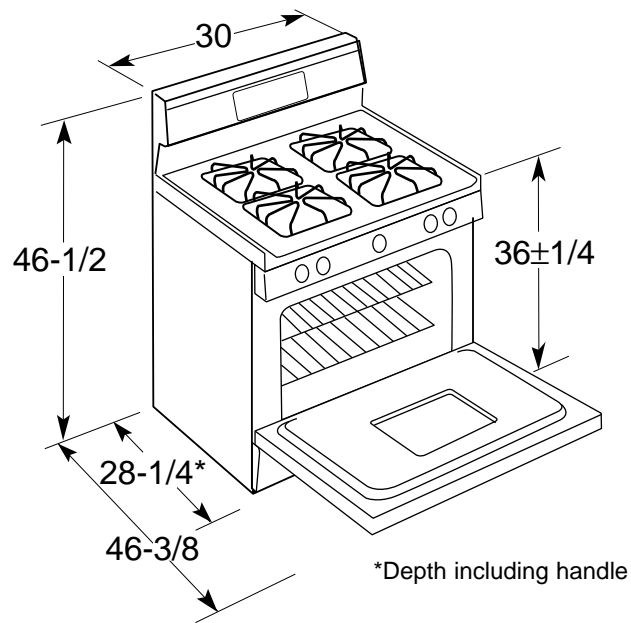


HOTPOINT

RGB532BEW—30" Gas Range

Dimensions (in inches)



Electrical Rating: 120V, 60Hz, 5A

Installation Information:

Dimensions shown here are the same as those shown on the installation instructions at the time this sheet was printed. Before proceeding with installation, see your Hotpoint supplier for latest detailed preparation and installation instructions or install from the instructions packed with each unit.

For answers to your GE Monogram™, GE Profile™, GE, Hotpoint and RCA appliance questions, call GE Answer Center® service, 800.626.2000.

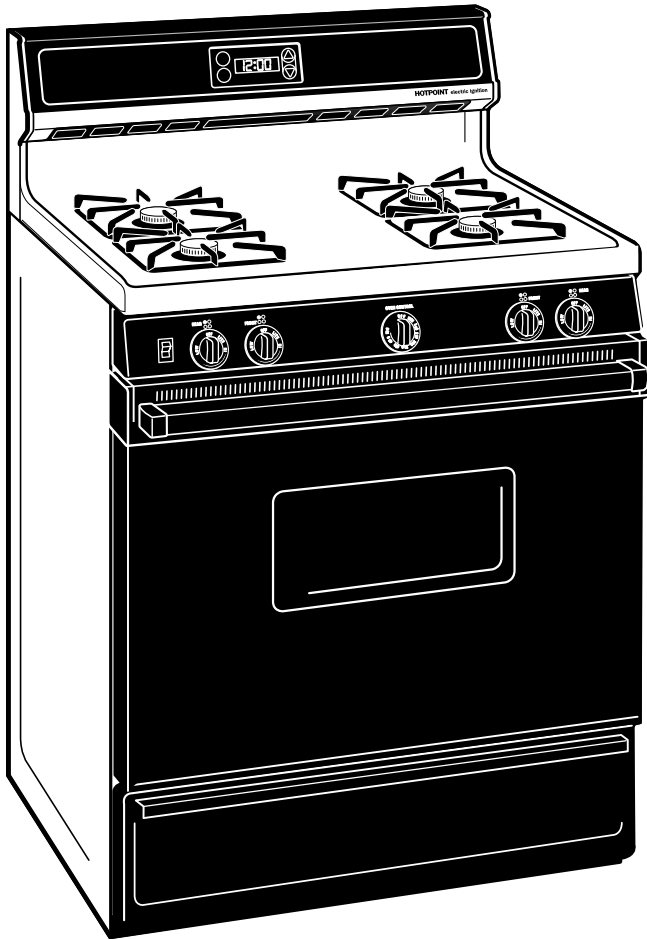


All GE ranges are equipped with an Anti-Tip device. The installation of this device is an important, required step in the installation of the range.



HOTPOINT

RGB532BEW—30" Free-Standing Gas Range



Features and Benefits

- Available In White or Almond
- Upswept Porcelain-Enameled Cooktop
- Sealed Cooktop Burners
 - (1) 12,000/1,000 BTU Performance Plus Burner
 - (1) 5,000/600 BTU Simmer Burner
 - (2) 9,500/850 BTU All-Purpose Burner
- Removable Black Square Grates
- Extra-Large Standard Cleaning Oven
- Electronic Ignition System
- Electronic Clock and Oven Timer
- Slide-Out Broiler Drawer
- 2 Oven Shelves/6 Embossed Rack Positions
- Frameless Black Glass Oven Door With Window
- Visor-Style Handle