

# GE10P08BAR

## GE® 10 Gallon Electric Point of Use Water Heater

### DIMENSIONS AND INSTALLATION INFORMATION (IN INCHES)

#### LOCAL INSTALLATION REGULATIONS:

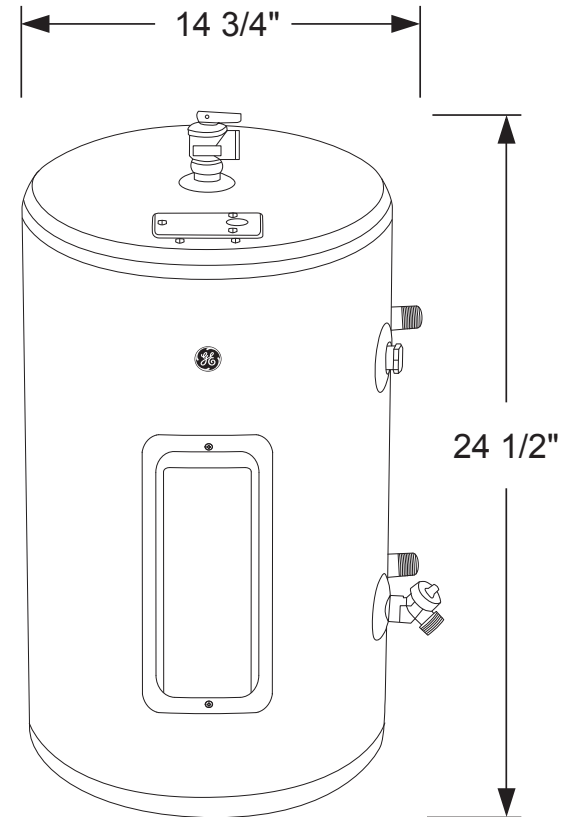
This water heater must be installed in accordance with these instructions, local codes, utility codes, utility company requirements or, in the absence of local codes, the latest edition of the National Electrical Code. It is available from some local libraries or can be purchased from the National Fire Preventions Association, Batterymarch park, Quincy, MA 02169 as booklet ANSI/NFPA 70.

**INSTALLATION INFORMATION:** For complete information, see installation instruction packed with your water heater.

**POWER REQUIREMENTS:** Check the markings on the rating plate of the water heater to be certain the power supply corresponds to the water heater requirements.

**LOCATION:** Locate the water heater in a clean dry area as near as practical to the area of the greatest heated water demand. Long uninsulated hot water lines can waste energy and water.

**REQUIRED CLEARANCES:** There must be sufficient clearance between any object and the top, rear and sides of the water heater in the event service is needed. The controls and drain at front of unit must have clear access for operation and service. Installations that require minimal clearance on the sides or rear of the water heater for earthquake straps are also acceptable. In these cases, additional clearance should be provided on the opposite side of the unit to allow for service access



Above illustration intended for dimensional reference only. Refer to photograph for actual product appearance



For answers to your GE Profile™ or GE Appliances product questions, visit our website at [geappliances.com](http://geappliances.com) or call GE Answer Center® Service, 800.626.2000.



Certified to  
NSF/ANSI 372

See [http://info.nsf.org/Certified/Lead\\_Content/](http://info.nsf.org/Certified/Lead_Content/)  
for specific model listing



Listed by  
Underwriters  
Laboratories

Specification Revised 9/21

# GE10P08BAR

## *GE® 10 Gallon Electric Point of Use Water Heater*

### **FEATURES AND BENEFITS**

Point of Use – Installs on-location for hot water where you need it

Compact Design – Ideal in limited spaces like kitchens, bathrooms, laundry rooms, cabins, RVs, garages, sheds, etc

120 Volt – Connects into any 120-Volt supply

Hot Water Booster – Works as a standalone unit, or inline with another water heater to boost long pipe runs or washing machines

Stainless Steel Heating Element – Provides reliable heat with ultra-durable design that resists rust and corrosion

Anode Rod – Durable design extends the life of your water heater with long-lasting protection against corrosion

Drain Valve – Rust-proof construction can be counted on to provide long-lasting service

Built-To-Last warranty – 8-year tank and parts and 1-year labor

Easy Installation – Uses standard 3/4-in NPT water connections for simple installation

Adjustable Thermostat – Change temperature to your desired setting

Model GE10P08BAR – Gray

