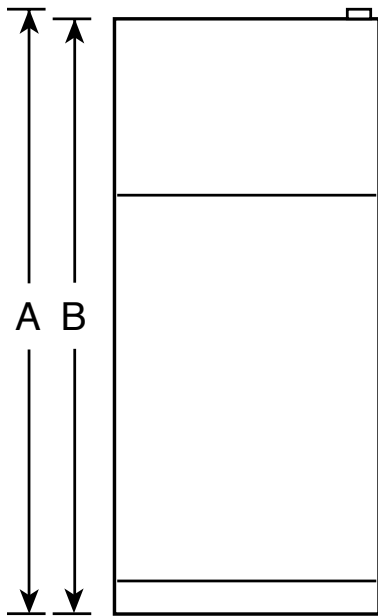


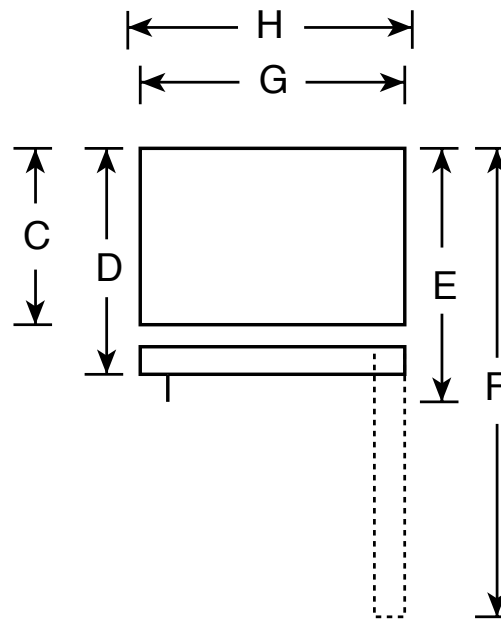
HOTPOINT®

HTS18IBS – Hotpoint® 17.9 Cu. Ft. Top-Freezer Refrigerator

Front View



Top View



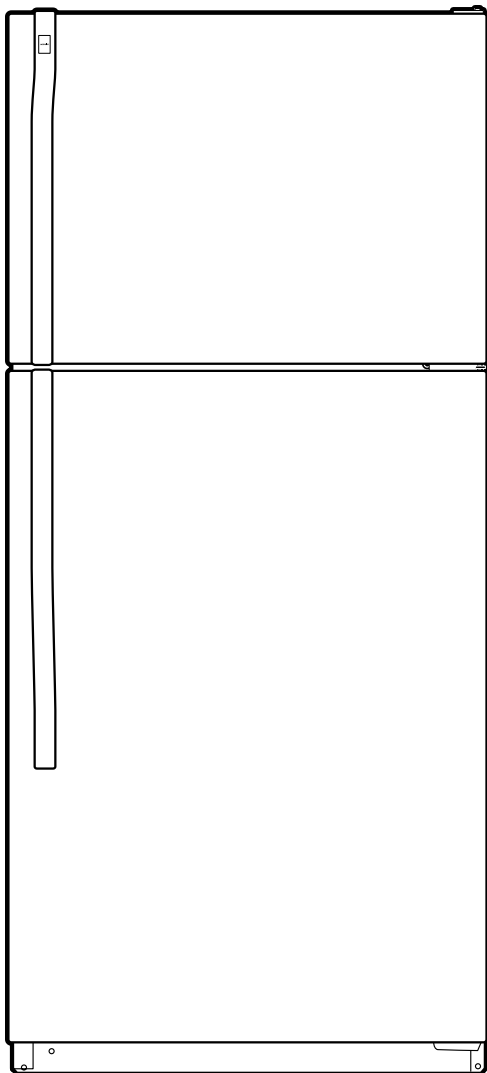
| | | |
|--------------------|--|---------------|
| Overall Dimensions | Height to top of hinge (in.) A | 66-5/8 |
| | Height to top of case (in.) B | 66-1/8 |
| | Case depth without door (in.) C | 27-1/2 |
| | Case depth less door handle (in.) D | 30-1/4 |
| | Case depth with door handle (in.) E | 32-1/8 |
| | Depth with fresh food door open 90° (in.) F | 58-1/8 |
| | Width (in.) G | 29-1/2 |
| | Width with door open 90° with door handle (in.) H | 32 |
| Air Clearances | Each side (in.) | 1/8 |
| | Top (in.) | 1 |
| | Back (in.) | 1 |

Note: Before installing, consult installation instructions packed with product for current dimensional data.



HOTPOINT®

HTS18IBS – Hotpoint® 17.9 Cu. Ft. Top-Freezer Refrigerator



Features and Benefits

- Illuminated upfront slimline temperature controls – Offer maximum style and convenience
- Adjustable glass shelves – Lets consumers maximize usable storage space
- Vegetable/Fruit crispers – For easy storage of your fruits and vegetables
- Gallon door storage – Makes room for milk and any other gallon size containers
- Rounded doors – Offers the signature rounded look that's seen in today's freshest kitchens
- NeverClean™ condenser – Condenser coils are encased, so they don't require cleaning in normal operating environments
- Deluxe quiet design – Significantly reduces operating noise
- Model HTS18IBSWW – White on white
- Model HTS18IBSCC – Bisque on bisque
- Model HTS18IBSBB – Black on black