

# HOTPOINT®

2003 Gas Ranges



For now. For the long run.

# Gas Ranges

Hotpoint Capacity Plus™ gas ranges feature an extra-large oven capacity and are available in self-clean or standard-clean ovens. Select models feature sealed burners that provide both simmer capability and high output, an extra-large broiler pan and grid, six embossed rack positions and porcelain-enameled upswept cooktop.



### Sealed gas burners

Special burner design helps contain spills and boiling-over liquids from dripping beneath cooktop for easy clean-up.



### Simmer 600 burner

Offers true simmer capability with a low (600 BTU) setting. Provides low, even heat distribution for delicate foods and sauces.



### Performance Plus burner

Provides high output (12,000 BTU) for faster boiling and to heat foods quickly.



### EasySet clock and oven timer

Easy-to-use electronic touch pad controls and delayed baking function make cooking simple.



### Capacity Plus™ gas ranges

Extra-large capacity with a sixth embossed rack position increases cooking flexibility.



### One-piece upswept cooktop

Free from cracks or crevices that trap dirt. The porcelain enamel-on-steel surface wipes clean easily.



### Extra-large broiler pan

Porcelain-enameled broiler pan and grid are extra large and allow for additional broiling space.



### Lift-up cooktop with easy-clean subtop

Standard burner models have a cooktop that lifts up for easy access to porcelain-enameled subtop. Twin rod supports allow cooktop to lift and lock into place. Free from pipes or wires that interfere with clean-up.

All features may not be available on all models.

## CAPACITY PLUS™ 30" Free-Standing Gas Ranges

These models feature more usable oven capacity than any other leading manufacturers' brand; a sixth embossed rack position; extra-large broiler pan; porcelain-enameled upswept cooktop; interior oven light and electronic pilotless ignition.

### RGB745WEH

- White on white model
- Extra-large, self-clean oven
- Sealed cooktop burners
- Simmer 600 burner
- Performance Plus burner
- Heavy-steel grates
- In-oven broiling
- Frameless white glass oven door with window
- EasySet IV clock and oven timer
- Removable grey porcelain-enameled drip pans
- Removable storage drawer

### RGB745BEH

- White or Bisque model
- Same features as RGB745WEH, except has black control panel and black glass oven door.

### RGB533WEH

- White on white model
- Extra-large standard-clean oven
- Sealed cooktop burners
- Simmer 600 burner
- Performance Plus burner
- Frameless glass oven door with window
- Electronic clock/timer

### RGB533CEH

- Bisque on bisque model
- Same features as RGB533WEH



RGB745WEH  
CAPACITY PLUS™



RGB745BEH  
CAPACITY PLUS™



RGB533WEH  
CAPACITY PLUS™

# 30" Gas Ranges

## CAPACITY PLUS™ 30" Free-Standing Gas Ranges

These models feature an extra-large standard oven; six embossed rack positions; twin cooktop burners and lift-up cooktop.

### RGB528PEH

- White on white model
- Extra-large standard-clean oven
- White porcelain-enameled oven door with window
- Electronic clock/timer
- Twin cooktop burners
- Lift-up cooktop

### RGB524PEH

- White or Bisque model
- Extra-large standard-clean oven
- Solid color-matched porcelain-enameled oven door
- Slide-out broiler drawer
- Electronic pilotless ignition

### RGB524PPH

- White or Bisque model
- Same features as RGB524PEA, except with standing pilot ignition system.

### RGB508PEH

- White or Bisque model
- Extra-large standard-clean oven
- Solid color-matched porcelain-enameled oven door
- Drop-down broiler door
- Electronic pilotless ignition

### RGB508PPH

- White or Almond model
- Same features as RGB508PEH, except with standing pilot ignition system.



RGB528PEH  
CAPACITY PLUS™



RGB524PEH/PPH  
CAPACITY PLUS™



RGB508PEH/PPH  
CAPACITY PLUS™

## 24" Compact Gas Ranges



**RGA624EF/PF**

**RGA624EF**

- White model
- Standard-clean oven
- Electronic pilotless ignition
- Porcelain-enameled oven door
- Recessed, lift-up cooktop
- Rectangular burner grates
- Push-to-turn controls
- 2 oven shelves
- Broiler drawer
- Broiler pan with grid

**RGA624PF**

- White model
- Same features as RGA624EF, except with standing-pilot ignition system.

## 20" Compact Gas Ranges



**RGA620EF/PF**

**RGA620EF**

- White model
- Standard-clean oven
- Electronic pilotless ignition
- Porcelain-enameled oven door
- Recessed, lift-up cooktop
- Rectangular burner grates
- Push-to-turn controls
- 2 oven shelves
- Broiler drawer
- Broiler pan with grid

**RGA620PF**

- White model
- Same features as RGA620EF, except with standing-pilot ignition system.



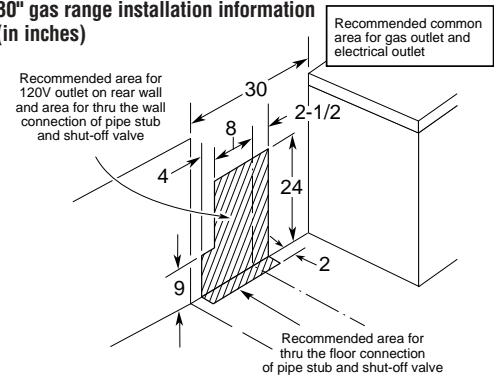
# Gas Range Specifications

## 30" CAPACITY PLUS™ Gas Ranges

	RGB745WEH RGB745BEH	RGB533WEH RGB533CEH	RGB528PEH	RGB524PEH RGB524PPH	RGB508PEH RGB508PPH
<b>Features</b>					
Extra-large oven	Self-clean	Standard-Clean	Standard-Clean	Standard-Clean	Standard-Clean
Cooktop burners	Sealed	Sealed	Twin	Twin	Twin
Performance Plus burner (Nat.)	(1) 12,000/1,000 BTU	(1) 12,000/1,000 BTU			
Simmer 600 burner (Nat.)	(1) 5,000/600 BTU	(1) 5,000/600 BTU			
All purpose sealed burners (Nat.)	(2) 9,500/850 BTU	(2) 9,500/850 BTU			
Oven controls	EasySet IV	Electronic Clock/Timer	Electronic Clock/Timer	Knob	Knob
Automatic oven timer	Electronic				
Porcelain-enameled cooktop	Upswept	Upswept	Upswept	●	●
Lift-up cooktop			●	●	●
Easy-clean subtop			●	●	●
Valves (degree of turn)	270°	270°	140°	140°	140°
Removable drip pans	Grey Porc.-Enam. Black Porc.-Enam.	Opt. Access.	Opt. Access.	Opt. Access.	Opt. Access.
Removable square grates	Grey Heavy-steel Black Heavy-steel	Grey Taupe	Grey	Black Electronic	Black Electronic
Ignition system	Electronic	Electronic	Electronic	Pilot	Pilot
Oven shelves	2	2	2	2	2
Six embossed rack positions	●	●	●	●	●
Interior oven light	●	●	●		
In-oven broiling	●				
Slide-out broiler drawer		●	●	●	Drop down door
Removable storage drawer	●				
<b>Appearance</b>					
Color appearance*	WW WH/CT	WW CC	WW	WH/CT WH/CT	WH/CT WH/AD
Frameless oven door	White Glass Black Glass	White Glass Bisque Glass	White Porc.-Enam.	Solid CM Porc.-Enam.	Solid CM Porc.-Enam.
Oven door with window	●	●	●		
Handle style	Designer-style	Designer-style	Visor	Visor	Visor
Removable oven door	●	●	●	●	●
<b>Weights and Dimensions</b>					
Overall oven interior dimensions (WxHxD in inches)	← 24x18.5x19 →				
Approx. shipping weight (lbs.)	185	185	165	147	166
<b>Power/Ratings</b>					
Gas range electrical rating**	120V, 60 Hz, 9A	← 120V, 60 Hz, 5A →			
Top burners† (000's BTU)	← (1)-12.0/9.5 (1)-5.0/3.5 →		← 9.1/8.0 →		
NAT/LP	(2)-9.5/7.0				
Oven/broiler burners† (000's BTU)	16.0/16.0 - Oven 12.5/12.0 - Broil	← 18.0/16.5 →			
<b>Accessories</b>					
LP conversion kit	●	●	●	●	●

\*WW=White with white door, CC=Bisque with bisque door, WH=White with black door, CT=Bisque with black door, AD=Almond with black door, CM=Indicates color of oven door matches range cooktop (either White, Almond or Bisque)  
 \*\*Electrical rating not applicable to standing pilot models RGB524PPH/RGB508PPH  
 †Factory set for natural gas.

### 30" gas range installation information (in inches)



### 30" gas range dimensions (in inches)

Models	B Height	C* Depth	D Depth with door open
RGB745WEH	46-1/2	26-1/4	46-3/8
RGB745BEH	46-1/2	26-1/4	46-3/8
RGB533WEH	46-1/2	26-1/4	46-3/8
RGB533CEH	46-1/2	26-1/4	46-3/8
RGB528PEH	46-1/2	26-1/2	46-3/8
RGB524PEH/PPH	44	26-1/2	46-3/8
RGB508PEH/PPH	39-7/8	26-1/2	46-3/8

\*Depth from wall to front of closed oven door.

### Optional gas range accessory drip pans (Available at additional cost)

To order these accessory drip pans, call toll-free 800-626-2002.

**Installation information:** Before installing, consult installation instructions packed with product for current dimensional data.



All Hotpoint ranges are equipped with an Anti-Tip device. The installation of this device is an important, required step in the installation of the range.



# Gas Range Specifications

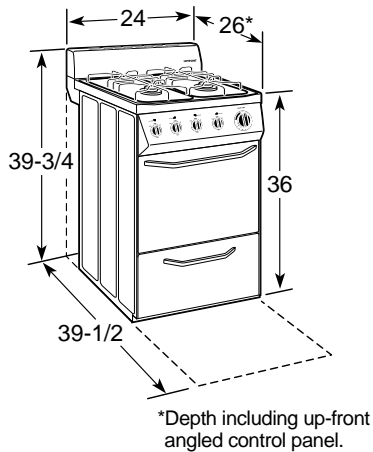
Hotpoint 24" and 20" Gas Ranges	24" range RGA624EF/PF	20" range RGA620EF/PF
<b>Features</b>		
Oven cleaning	Standard	Standard
Oven shelves	2	2
Recessed lift-up cooktop	•	•
Porcelain-enameled subtop	•	•
Rectangular grates	•	•
Ignition system	Electronic/Pilot	Electronic/Pilot
Push-to-turn controls	•	•
Broiler pan with grid	•	•
Separate broiler drawer (with tip down door)	•	•
<b>Appearance</b>		
Color appearance*	WH	WH
Porcelain-enameled oven door	Solid color-matched	Solid color-matched
Removable oven door	•	•
Four leveling legs	•	•
<b>Weights and Dimensions</b>		
Overall oven interior dimensions (WxHxD in inches)	19 x 14 x 19	14-7/8 x 16 x 19-1/2
Burner BTU:		
Top (Nat/LP)	9,000/8,000	9,000/8,000
Oven (Nat/LP)	18,000/18,000	18,000/18,000
Gas range electrical rating**	120V, 60 Hz, 5A	120V, 60 Hz, 5A
Approx. ship. wt. (lbs.)	140	129

\*WH=White with color-matched door

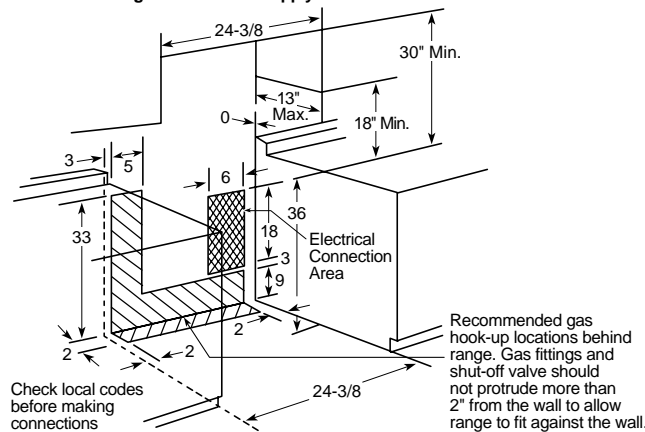
Factory set for natural gas. Can be converted to LP by a qualified technician.

\*\*Electrical rating not applicable to standing pilot model RGA624PW and RGA620PW.

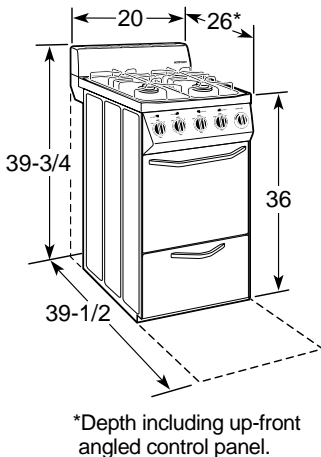
## 24" gas range dimensions and installation information (in inches)



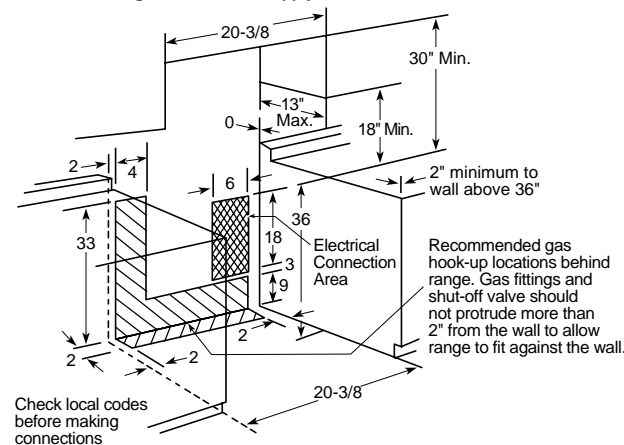
### Recommended gas and electric supply locations.



## 20" gas range dimensions and installation information (in inches)



### Recommended gas and electric supply locations.



All Hotpoint ranges are equipped with an Anti-Tip device. The installation of this device is an important, required step in the installation of the range.



**Installation information:** Before installing, consult installation instructions packed with product for current dimensional data.

## Consumer Services

*Hotpoint offers performance, versatility and cleanability features to meet your every need.*



### Performance Plus burner

Provides high output (12,000 BTU) for faster boiling and quicker heat-up times.



### Capacity Plus™ gas ranges

Sixth embossed rack position increases cooking flexibility.



### Sealed gas burners

Special burner design helps contain spills and boiling-over liquids from dripping beneath cooktop. Makes clean-up easy!

Not all features available on all models

*Visit us at [hotpoint.com](http://hotpoint.com)*



### We're surfer-friendly!

Our comprehensive Web Site provides you with virtually everything you need to know about Hotpoint® appliances, parts, accessories and service. And, it's also surfer-friendly, so your searches won't be endless—they'll be effortless!



### The GE Answer Center® Information Service 800.626.2000 (GEAppliances.com)

Questions? Call any time.

Before or after you buy any GE or Hotpoint product, ask us about the features, product comparisons, pricing and where to find it. Call us any time. We never close.

### Industry-leading support—

#### GE Genuine Parts 800.626.2002

Enhance, upgrade or fix it. Check out our accessories!

Accessories can make great GE or Hotpoint products even better. Replacement parts for GE, Hotpoint and most other brands, too. Fast delivery, convenient, direct.

#### GE Appliance Service 800.432.2737 (800.GE.CARES)

#### Same day or next day service.

If you ever need product service, we'll come where and when you want—at your convenience. We're the largest manufacturer-owned service organization in the appliance industry. Same or next day service in most cases.

# HOTPOINT®