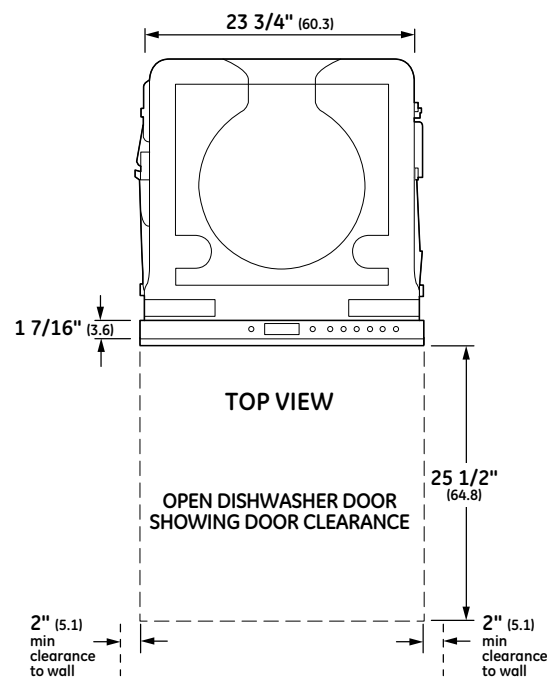
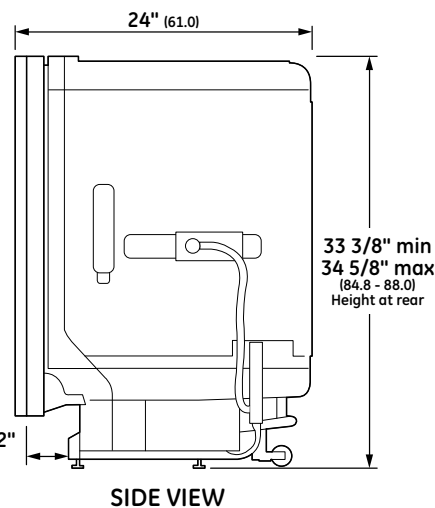
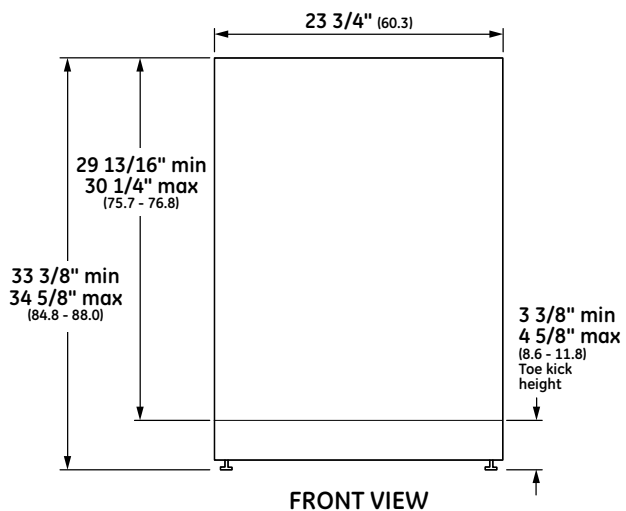


OVERALL DIMENSIONS



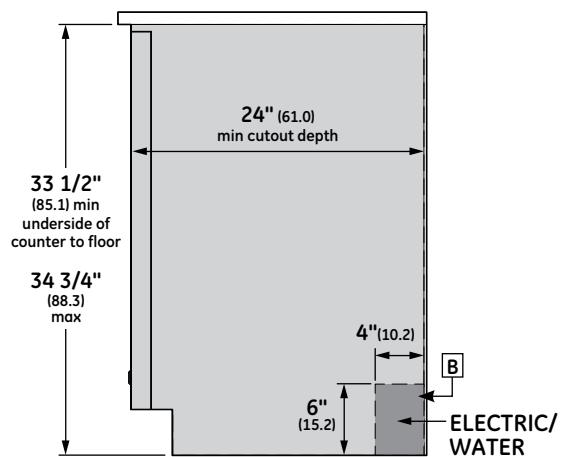
Dimensions in parentheses are in centimeters unless otherwise noted.

SPECIFICATIONS

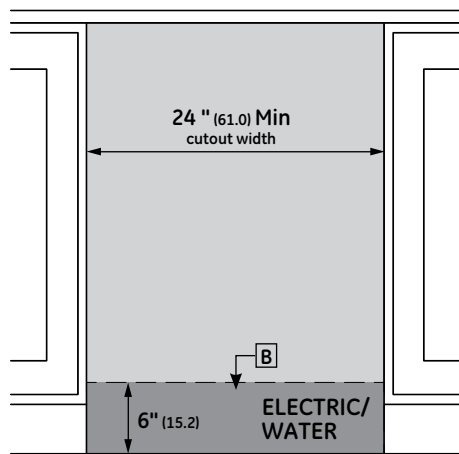
Overall Width	23 3/4" (60.3 cm)
Overall Height	33 3/8" (84.8 cm) Min 34 5/8" (88.0 cm) Max
Overall Depth	24" (61 cm)
Door Clearance	25 1/2" (64.8 cm)
Overall Dishwasher Capacity	16 Place Settings
Minimum Cabinet Width	24" (61 cm)
Minimum Cabinet Depth	24" (61 cm)
Cutout Width	24" (61 cm)
Cutout Height	33 1/2" (85.1 cm) Min 34 3/4" (88.3 cm) Max
Electrical Requirements	9.0 A
Hose Length	No more than 12' (3.7 m)
Voltz/Hertz/Amps	115 V, 60 Hz, 15 or 20 amp circuit
Shipping Weight	119 lb (54 kg)



INSTALLATION

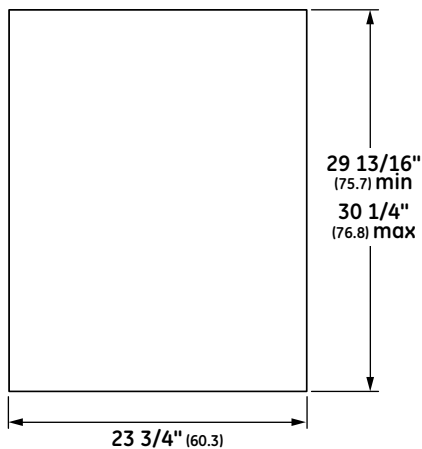


FLUSH CUTOUT INSTALLATION



INSTALLATION CUTOUT FRONT VIEW

CUSTOM PANEL



D

NOTES

- A The dishwasher drain hose must be no more than 12 feet in length for proper drainage.
- B Electrical connections are at the right front of the dishwasher and water connections are on the left. The hot water line should extend forward 30" to 40" from the rear wall. The electrical must extend forward at least 24" to reach the junction box.
- C To prevent siphoning, an air gap or high drain loop must be used.
- D A custom panel installation template (Pub. No. 31-31511-2) is available from GE Parts and Accessories (US 800.626.2002, Canada 800.561.3344).

CUSTOM DISHWASHER DOOR PANEL TEMPLATE GE PUB. NO. 31-31511-2

SPECIAL NOTES

The custom panel and custom handle of your choice should be secured to the dishwasher before installation begins. A template with instructions and installation hardware is provided.

For planning purposes, you may order the template in advance by calling 1.800.GE.CARES (1.800.423.2737) or by visiting our website at GEAppliances.com in the United States.

In Canada, call 1.800.561.3344 or visit www.GEAppliances.ca. Order Pub. No. 31-31511-2. Complete panel installation instructions are included on the template.

Maximum panel weight is 20 LBS (9.1 kg).

**3/4" Thick Custom Panel
Template Instructions for
Top Control Integrated GE
Dishwasher Models**

The custom panel should be sized to your installation situation. See Step 1. It is highly recommended that the custom panel be attached before installing the dishwasher. Use this template to locate mounting screws and spacers on the custom panel.

IMPORTANT

- A custom handle must be installed onto the custom panel. Install the custom handle 4-1/2" max. from the top of the panel.

PARTS INCLUDED:

- (4) Spacers
- (2) #8 x 5/8" Phillips truss head stainless steel screws
- (4) #8 x 7/8" Phillips truss head stainless steel wood screws
- (2) Heavy duty springs

STEP 1 CUSTOM PANEL SIZE REQUIREMENTS

HEIGHT
Panel height must be between 29-13/16" and 30-1/16".

- If the panel height is more than 30-1/16", it will prevent the door from fitting under the cabinet.
- If the panel height is less than 29-13/16" it will not cover the dishwasher door frame.

WIDTH
Panel width must be 23-3/4".

- If the panel width is less than 23-3/4" it will not cover the dishwasher door frame.

IMPORTANT: To ensure optimum door balance performance, the custom panel must not weigh more than 20 lbs.

STEP 2 DRAW CENTERLINE

- Place the custom panel on a flat surface with appearance side down.
- Locate the vertical center of the panel at the top.
- Use a carpenter's square to draw a centerline from top to bottom.

STEP 3 ALIGN TEMPLATE TO PANEL

- Trim template on the dotted line along all sides.
- For Panel sizes 29-13/16" up to 30-1/16", place template on the panel aligned with the **top edge** and the centerline. Use tape to hold in place.
- For Panel sizes over 30-1/16" up to 30-1/4", place template on the panel aligned with the **bottom edge** and the centerline. Use tape to hold in place.

IMPORTANT: If the template is not aligned properly with the panel, the panel may hit the toe kick and the door will not fully open. Longer panels should overhang at the top of the door. Make sure after installation, to maintain a minimum 3/8" gap to the counter-top from the custom panel.

- Use an oval to mark the screw hole locations indicated on the template. Remove the template.

STEP 4 INSTALL MOUNTING SCREWS AND SPACERS

- If the panel is less than 3/4" thick, shorter screws must be used. Use #8 x 3/4" screws for 1/2" thick panels (not supplied).
- Use a 3/32" drill bit to drill pilot holes 3/32" deep in the marked locations. Make sure not to drill the way through the panel.
- Note:** The custom panel is secured to the dishwasher door with the spacers and screws provided. The 4 spacers will slip into the keyhole slots on the dishwasher door.
- Drive the supplied #8 x 7/8" screws through the spacer and into the panel.
- Install remaining spacers and screws as indicated in the marked locations.

STEP 5 INSTALL CUSTOM HANDLE

- A custom handle must be installed onto the panel before the panel is secured to the dishwasher door.
- The handle should be installed so that it aligns with adjacent drawer handles, or 4-1/2" max. from the top of the panel. Secure the handle in the same manner as cabinet handles. Screws must be countersunk into the panel.

STEP 6 INSTALL ASSEMBLED PANEL

- Secure the panel to the door by inserting the top and bottom spacers into the matching keyhole slots.
- Make sure all 4 spacers engage the keyhole slots.
- Press the panel against the door and push downward until the spacers are fully engaged into the keyhole slots. The panel should align evenly with the top and sides.

STEP 6 INSTALL ASSEMBLED PANEL - (CONTINUED)

Due to the location of the screw holes and very limited space it will be very helpful to attach the screws to the driving bit with tape to keep the screw from falling off inside the door while inserting down inside. Read and follow the steps below.

- Insert one of the supplied #8 x 5/8" truss head screws through a piece of masking tape.
- Insert a minimum 2" long bit into head and wrap tape around end of bit. If 1 square drive preferred.
- Use a bit extension with a max. 3/8" diameter shank and a minimum 2-3/4" length.

CAUTION: It is extremely important that the 2 screws are driven into the wood panel through the metal door assembly. This locks the vertical motion of the custom panel and if not secured the panel can come off the unit during door opening/closing causing personal injury and damage to the panel.

4. Carefully open the door because door will likely be unbalanced.

Start insertion of driver at approximately 45° angle to clear the screw head past the hinge components, once the screw head is clear rock the driver forward to a vertical position. Proceed to drive the screw. Repeat procedure for the opposite side.

NOTE: Do not overtighten screws. Excessive tightening of the screws could damage door edges.

PRINGS

Panel being used, additional springs may be needed to balance the door during being attached to the cable. The spring hook should be inserted into the middle hole of the spring should be hooked over the lowest screw on the rear tub bracket as shown below:

On each side to balance the door, the spring hooks should be inserted into the top and bottom below:

- The bottom spring opposite end should be hooked over the lowest screw on the rear tub bracket. The top spring hooks into the first available hole above the screw in the same rear tub bracket. See illustrations below.
- The following table may be used as a guideline regarding which springs to use, depending on the weight of the panel being added. However, spring combinations may be adjusted based on personal preferences regarding door feel.

Note: For combinations requiring two different strength springs, the side used is unimportant and the table headings below are for reference only. For example, a panel weighing 8 lbs would require two (2) gray springs and one (1) blue spring. The gray springs may be installed on the left side and the blue spring on the right side, or the two gray springs may be installed on the right side and the blue spring on the left.

Panel Weight (lbs)	Left Side Springs	Right Side Springs
0-5	Blue	Blue
5-10	Gray x 2	Blue
10-15	Blue x 2	Black
15-20	Blue x 2	Black x 2

Spring Strength	
KG	Lbs
B	M
B	H
B	D

• Close and latch the door.

• Check door balance after custom panel is installed. If the door drops open too fast, you may swap any of the springs with the next heaviest spring as shown in the table.

• Remove the rear screw-style leveling feet because of spring interference.

TIP: If the door does not open easily or falls too quickly, check spring cable routing. The cable is held in place by "straps" on the pulley. Check to be sure the cable has not slipped over the pulley shoulders.

IMPORTANT: Adjust both balance springs to the same amount of tension to prevent excessive door twisting during use.

FOR REFERENCE ONLY - NOT TO SCALE

Pub. no. 31-31511-2
03-14 GE

CALL 1-800-626-2000

For a full-size panel template with complete panel installation instructions.



FEATURES AND BENEFITS

GE's most advanced wash system with 102 cleaning jets - Achieve the ultimate clean from an industry-leading number of jets that deliver complete washing coverage to every corner of the dishwasher

LED lighting - Illuminate the entire interior, leaving no question as to whether or not dishes have been cleaned

42 dBA with LED status indicator on door - A dishwasher this quiet has a status indicator to tell you if the dishwasher is Washing, Drying or Clean

Bottle Wash Jets - Hard-to-reach areas inside tall items get completely clean with four dedicated jets integrated into the upper rack that shower water deep inside for the ultimate clean

Cabinet Depth Installation - Customize this appearance with a panel to match the décor of your kitchen

Top control LCD display - User-friendly controls combined with a LCD screen complement the sleek stainless look

Easy Touch Adjustable Upper Rack with 2 Stem Safe wine glass holders - Quickly adjust the upper rack 2 inches up or down to accommodate tall glassware and 10 1/2" plates with plenty of room in the bottom rack for large platters and cookie sheets

Wash Zones - Wash a true half-load in either the upper or lower rack without sacrificing options and cycles available on a full wash

Reversing Blade Wash Arm - Dishes come out impressively clean thanks to this revolutionary lower wash arm, with 25 spray jets reversing direction to hit items from every angle



Residential

