

HOTPOINT®

2004 Microwave Ovens



For now. For the long run.

Counter Saver Plus™ Microwave Ovens

Microwave convenience with no loss of usable countertop space

Installed over your range, a Counter Saver Plus microwave oven keeps your counter clear, while keeping up with the demands of your busy lifestyle. It has all the convenience features you need to quickly heat, reheat and defrost everyday foods, along with a built-in venting system and full-view cooktop lighting.



Auto Defrost

Automatically sets defrosting time and power level for fast defrosting.



Reheat

Offers the flexibility of automatically reheating a variety of popular foods.



Popcorn

Maximizes popping without scorching pre-packaged popcorn.



Turntable

Continually rotates food to ensure even cooking.

Time Cook I & II

Allows you to set two time-controlled cooking functions within one program.

Express Cook pads

A shortcut to set cook times from 1 to 6 minutes. Automatically cooks at full power with the touch of one pad.

10 power levels

Offer maximum cooking flexibility, from warming and reheating, to the full speed of microwave cooking at high power.

Instant On controls

Allow quick, one-touch cooking and reheating.

Full-View cooktop lighting

Provides better distribution of light over the entire cooking surface.

RVM1635BJ

- 1.6 cu. ft. cavity
- 1000 watts*
- Black on black

RVM1635WJ

- White on white (on cover)

RVM1635CJ

- Bisque on bisque (not shown)

RVM1435WJ

- 1.4 cu. ft. cavity
- 950 watts*
- White on white

RVM1435BJ

- Black on black (not shown)

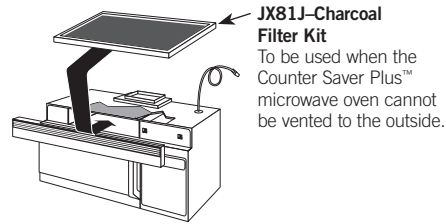
*IEC-705 Test Procedure

Counter Saver Plus Microwave Ovens

| Counter Saver Plus microwave ovens | RVM1635WJ RVM1635CJ RVM1635BJ | RVM1435WJ RVM1435BJ |
|---|-------------------------------------|---------------------------|
| Capacity | | |
| Oven cavity (cu. ft.) | 1.6 | 1.4 |
| Features | | |
| Watts (IEC-705 Test Procedure) | 1000 | 950 |
| Power levels | 10 | 10 |
| Electronic touch controls | ● | ● |
| Clock | ● | ● |
| Display On/Off | ● | ● |
| Turntable | ● | ● |
| Time Cook | I & II | I & II |
| Auto/Time Defrost | ● | ● |
| Convenience controls | ● | ● |
| Popcorn | ● | ● |
| Beverage | ● | ● |
| Reheat | ● | ● |
| Express Cook (1-6 minutes) | ● | ● |
| Instant On controls | ● | ● |
| Add 30 seconds | ● | ● |
| Kitchen timer | ● | ● |
| Cooking complete reminder | ● | ● |
| Delay Start | ● | ● |
| Child lockout | ● | ● |
| Full-View cooktop lighting | ● | ● |
| High-capacity exhaust fan | 200-CFM | 200-CFM |
| Easy-mount installation | ● | ● |
| Appearance | | |
| Door color | White Bisque Black | White Black |
| Case color | White Bisque Black | White Black |
| Weights & Dimensions | | |
| Overall oven interior dimension | 20 x 9-3/8 x 14-2/5 | 19-1/3 x 9-3/8 x 13-15/16 |
| Approx. shipping weight (lbs.) | 67 | 67 |
| Power/Ratings | | |
| 2450 Frequency (MHz) | ● | ● |
| Electrical input | Watts | 1500 |
| @120V | Amps | 13 |
| Accessories | | |
| Charcoal filter kit (optional) | JX81J | JX81J |
| Warranty | | |
| Full one-year in-home warranty* | ● | ● |
| Limited four-year magnetron warranty* (5 years total) | ● | ● |

*See written warranty for details.

Optional accessories (Available at additional cost)

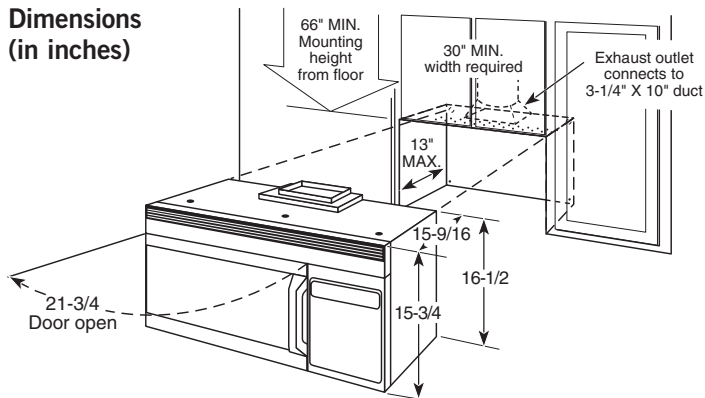


Ventilation options

The Counter Saver Plus™ microwave oven is designed for adaptation to the following three types of ventilation:

- Outside Exhaust (Vertical)
- Outside Exhaust (Horizontal)
- Recirculating (Non-vented ductless—Delivered from factory non-vented)

Dimensions (in inches)



Important: When installing the Counter Saver Plus microwave oven over a range, allow minimum of 2" from bottom of Counter Saver Plus microwave oven to top of range backguard to allow for removal of light covers.

This information is not intended to be used for installing unit described. Before installing, consult installation instructions packed with product/kit for current dimensional data.

Not all features available on all models.



Consumer Services

Hotpoint® microwave ovens combine the convenience of one-touch cooking with spacesaving design.



Popcorn

Designed for today's popular prepackaged popcorn, this setting maximizes popping without scorching. Now for use with three sizes: 3.5 oz., 3.0 oz. and 1.75 oz.



200-CFM venting system

Powerful 200-CFM venting system quickly removes smoke and steam from your cooktop.



Auto/Time Defrost

Time and power levels are preset according to food type and weight allowing faster defrosting.

Not all features available on all models.

Visit us at hotpoint.com



We're surfer-friendly!

Completely comprehensive, this site provides you with virtually everything you need to know about Hotpoint® appliances, parts, accessories and service. And, it's also surfer-friendly, so your searches won't be endless—they'll be effortless!

Hotpoint has a policy of continuous improvement on its products and reserves the right to change materials and specifications without notice.



The GE Answer Center® Information Service 800.626.2000. (GEAppliances.com)

Questions? Call any time.

Before or after you buy any GE or Hotpoint appliance, ask us about the features, product comparisons, pricing and where to find it. Call us any time. We never close.

Industry-leading support—

GE Genuine Parts 800.626.2002.

Enhance, upgrade or fix it. Check out our accessories!

Accessories can make great GE or Hotpoint products even better. Replacement parts for GE, Hotpoint and most other brands, too. Fast delivery, convenient, direct.

GE Appliance Service 800.432.2737 (800.GE.CARES)

Same day or next day service.

If you ever need product service, we'll come where and when you want—at your convenience. We're the largest manufacturer-owned service organization in the appliance industry. Same or next day service in most cases.

HOTPOINT®

Appliance Park, Louisville, Kentucky 40225