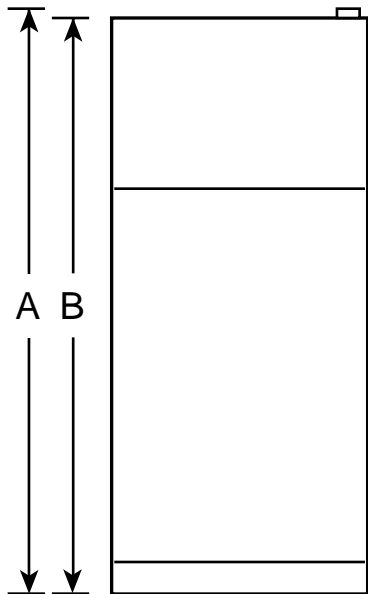


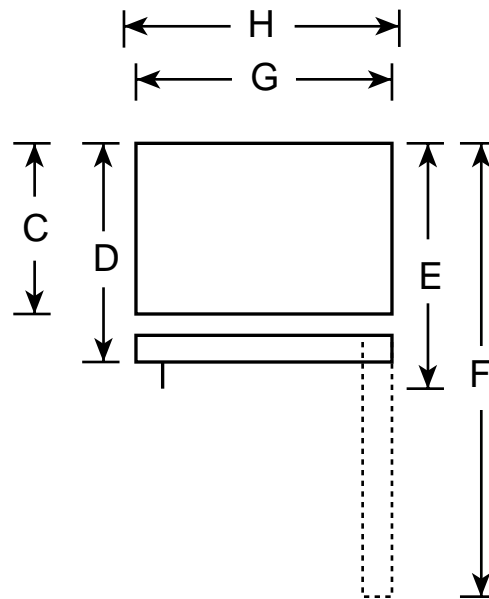
HOTPOINT

HTH15BBM—Hotpoint 14.6 Cu. Ft. Capacity Top-Freezer Refrigerator

Front View



Top View



Overall Dimensions	Height with hinge (in.) A	61-3/4
	Height without hinge (in.) B	61-1/4
	Depth without Doors (in.) C	25-7/8
	Depth with Doors (in.) D	29-1/8
	Depth plus Handle with Doors Closed (in.) E	31
	Depth with Doors open 90° (in.) F	54-7/8
	Width with Doors Closed (in.) G	28
	Width with Doors open 90° Less Door Handles (in.) H	28-5/8
Air Clearances	Each side (in.)	3/4
	Top (in.)	1
	Back (in.)	1

Note: Before installing, consult installation instructions packed with product for current dimensional data.



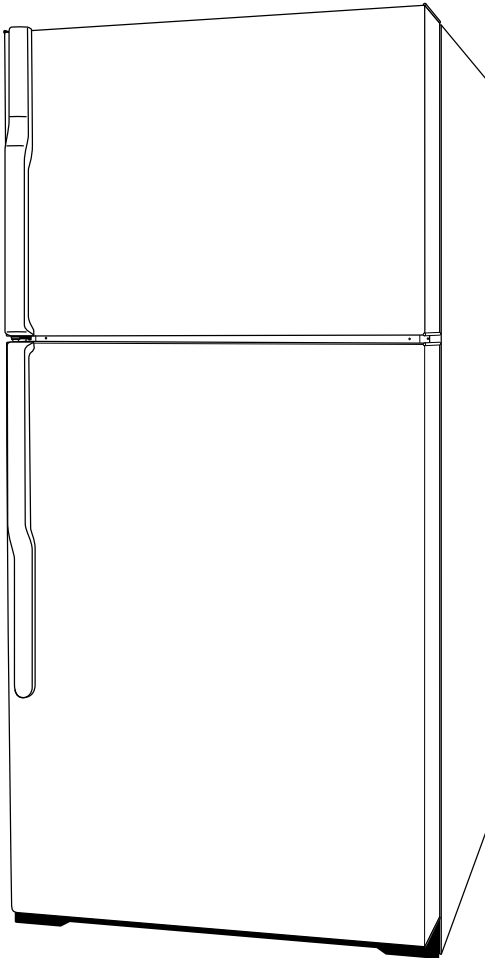
Total volume and shelf area are calculated by the Association of Home Appliance Manufacturers' standards.



Listed by Underwriters Laboratories

HOTPOINT

HTH15BBM—Hotpoint 14.6 Cu. Ft. Capacity Top-Freezer Refrigerator



Features and Benefits

- 14.6 cu. ft. Capacity (Fresh Food 10.77 cu. ft. / Freezer 3.86 cu. ft.)
- Energy Star Qualified
- Upfront Temperature Controls
- NeverClean™ Condenser
- 2 Adjustable Full-Width Wire Everwhite Fresh Food Cabinet Shelves
- 2 Fresh Food Door Shelves with Tall Bottle Storage
- Deluxe Quiet Design
- 2 Vegetable/Fruit Crispers
- 2 Ice 'N Easy Trays with Ice Tray Shelf
- Color-Matched Door Handles
- Model HTH15BBMWW—White on white
- Model HTH15BBMAA—Almond on almond