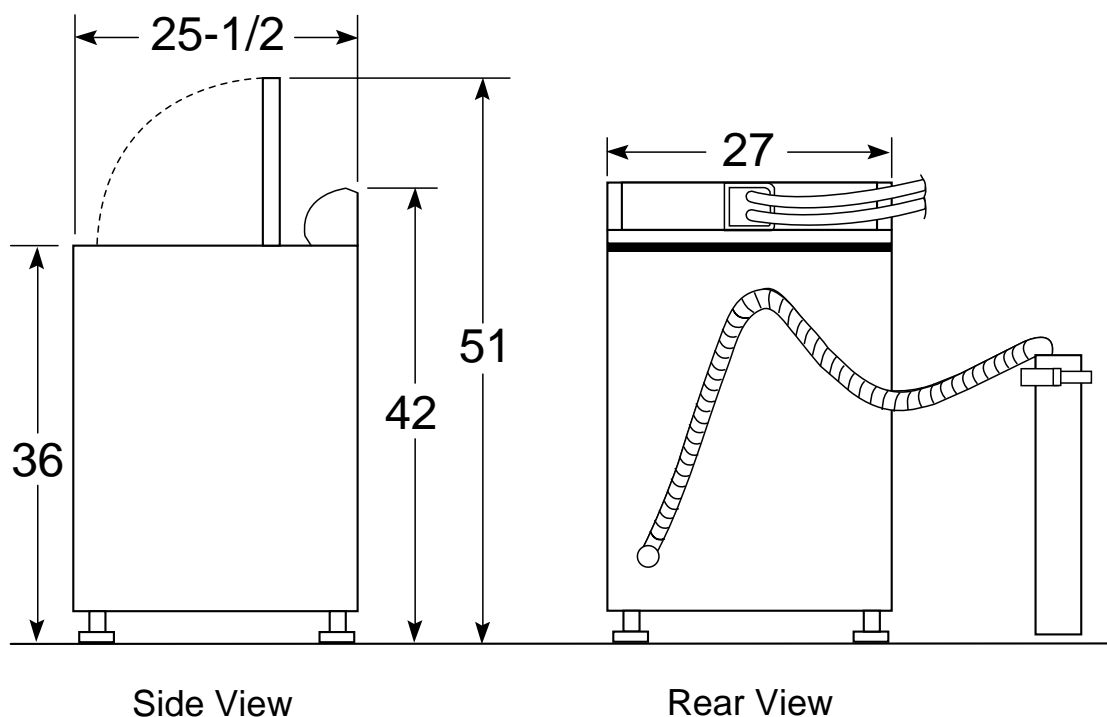




VWSR4150DWW – Hotpoint 3.2 Cu. Ft. Super Capacity Washer

Washer Dimensions (in inches)



Circuit Requirements: An individual, properly-grounded branch circuit, with a three-prong grounding-type receptacle, protected by a 15 or 20 amp circuit breaker or a time-delay fuse, is required.

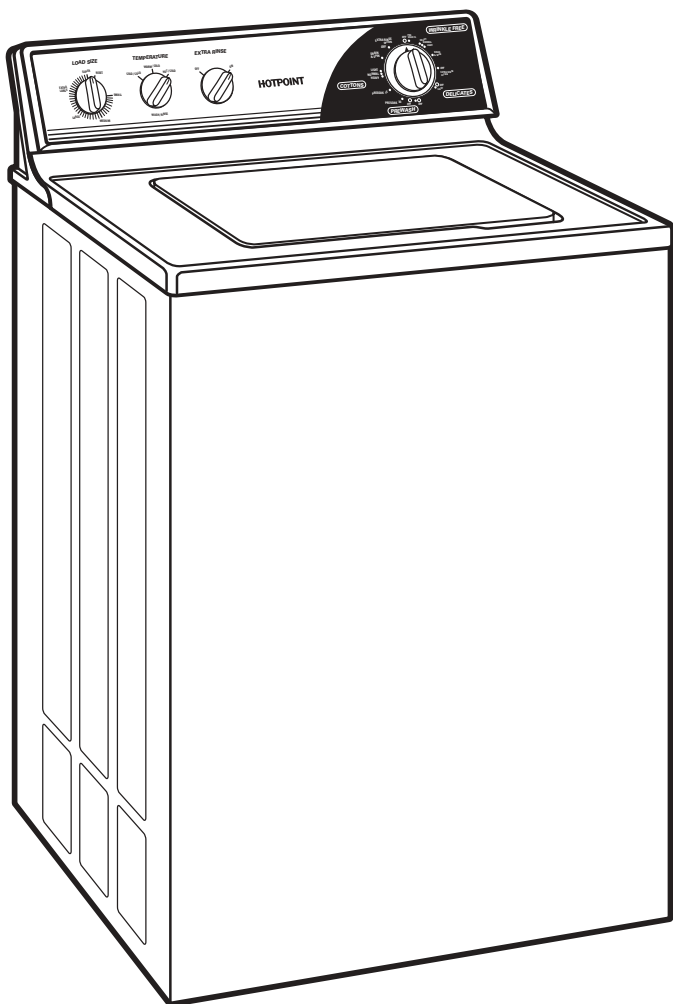
Electrical Rating: 115V, 60Hz, 10 Amps

Installation Information: Before installing, consult installation instructions packed with product for current dimensional data.

Washer Note: Washer wall outlet must be located within 36" of service cord entry. Wall outlet must not be located behind dryer.

HOTPOINT®

VWSR4150DWW – Hotpoint 3.2 Cu. Ft. Super Capacity Washer



Features and Benefits

- Rotary electromechanical controls – Allow fast, easy cycle selection.
- Four wash/spin speed combinations – Speeds vary according to fabric type for better clothes care.
- Bleach and fabric softener dispensers – Solutions are automatically mixed with wash water for bright, soft-to-the-touch results.
- Variable water levels – Automatically matches water levels to load size for greater water/energy savings.
- GentlePower™ Agitator – Moves clothes gently through water to reduce wear and tear.
- Auto Soak (Locked) – Soaks dirty clothes for 15 or 30 minutes before the wash cycle, so there's no need for an extra cycle.
- Presoak cycle – Saturates clothes before the wash cycle to help remove stubborn stains.
- Auto 2nd Rinse – Helps protect delicate fabrics and sensitive skin.
- Model VWSR4150DWW – White on white