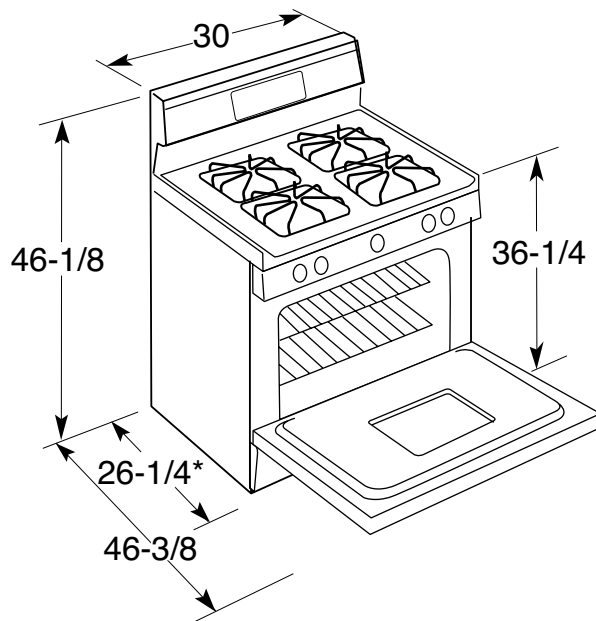


HOTPOINT®

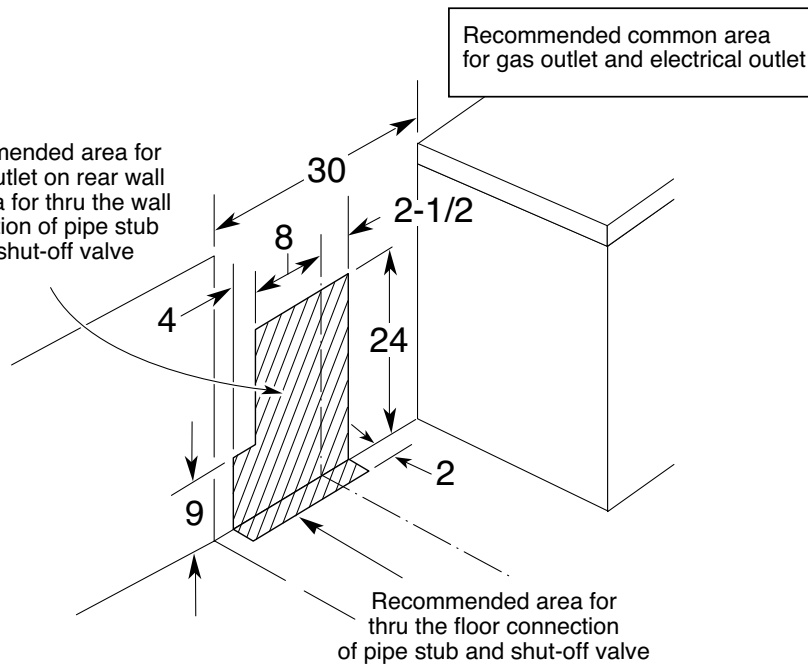
RGB528PEP – Hotpoint 30" Free-Standing Gas Range

Dimensions (in inches)



*Depth from wall to front of closed oven door.

Recommended area for 120V outlet on rear wall and area for thru the wall connection of pipe stub and shut-off valve



Installation Information: Before installing, consult installation instructions packed with product for current dimensional data.

Optional gas range accessory drip pans:
(Available at additional cost)
To order these accessory drip pans, call toll-free 800-626-2002.

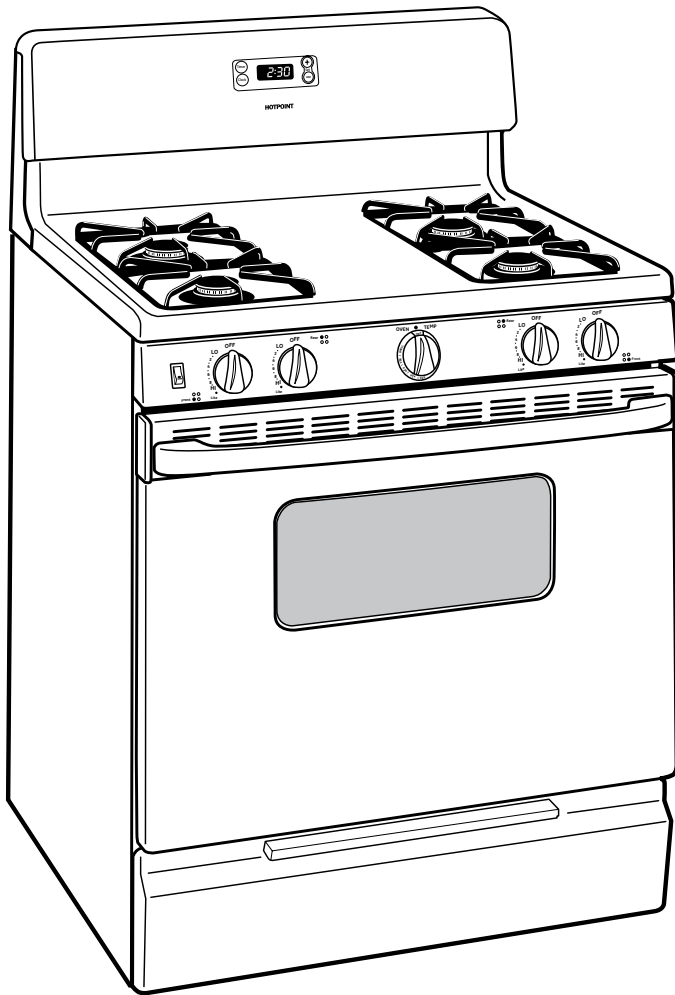


All Hotpoint ranges are equipped with an Anti-Tip device. The installation of this device is an important, required step in the installation of the range.



HOTPOINT®

RGB528PEP – Hotpoint 30" Free-Standing Gas Range



Features and Benefits

- Extra-Large Oven Capacity - Provides a large oven interior ideal for cooking more items at once
- All Purpose Burners - Deliver a wide range of heat output ideal for most cooking requirements
- Electronic Clock And Timer - Features a convenient digital clock and easy-to-use timer with an audible signal to help coordinate cooking times in the kitchen
- Standard Grates - Provide a sturdy and convenient cookware surface for everyday cooking
- Porcelain Upswept Cooktop - Features raised edges to help contain spills and make clean-up easy
- Lift-Up Cooktop - Cooktop lifts up for easy access to porcelain-enameled subtop
- Porcelain Oven Door - Offers a scratch-resistant porcelain coating for easy cleaning
- Standard Window - Provides a convenient viewing area to check the progress of food
- Easy Clean Subtop - Porcelain enameled subtop collects spills and messes for easy cleaning
- Model RGB528PEPBB – Black on black
- Model RGB528PEPWW – White on white