

Design Guide with
**Installation
Instructions**

36" Built-In Bottom Freezer
Refrigerators

Pub. No. 49-60706-1
Part No. 224D3735P001

03-14 GE

monogram.com



Safety Information

BEFORE YOU BEGIN

Read these instructions completely and carefully.

- **IMPORTANT** – Save these instructions for local inspector's use. Observe all governing codes and ordinances.
- **Note to Installer** – Be sure to leave these instructions with the Consumer.
- **Note to Consumer** – Keep these instructions with your Owner's Manual for future reference.

WARNING:

This appliance must be properly grounded. See "Grounding the Refrigerator," page 9.

AVERTISSEMENT

Cet appareil doit être correctement mis à la terre. Consulter « Mise à la terre du réfrigérateur », page 9.

If you received a damaged refrigerator, you should immediately contact your dealer or builder.

CAUTION:

Due to the weight and size of this refrigerator, and to reduce the risk of personal injury or damage to the product—THREE PEOPLE ARE REQUIRED FOR PROPER INSTALLATION.

PRUDENCE

À cause du poids et de la taille de ce réfrigérateur et pour réduire le risque de blessure et de dommages, IL FAUT TROIS PERSONNES POUR FAIRE L'INSTALLATION CORRECTEMENT.

Skill Level – Installation of this refrigerator requires basic mechanical, carpentry and plumbing skills. Proper installation is the responsibility of the installer. Product failure due to improper installation is not covered under the GE Appliance Warranty. See the Owner's Manual for warranty information.

WARNING:

- These refrigerators are top-heavy and must be secured to prevent the possibility of tipping forward. Anti-Tip protection is required. See page 11 for details.
- Use this appliance only for its intended purpose.
- Immediately repair or replace electric service cords that become frayed or damaged.
- Unplug the refrigerator before cleaning or making repairs.
- Repairs should be made by a qualified service technician.

AVERTISSEMENT

- Ces réfrigérateurs sont lourds en haut et il faut les arrimer pour éviter leur basculement. Il faut avoir un système de protection contre le renversement. Voir les détails page 11.
- Il ne faut utiliser cet appareil que pour l'utilisation appropriée.
- Réparer ou remplacer immédiatement tout cordon électrique effiloché ou endommagé.
- Il faut débrancher le réfrigérateur avant le nettoyage ou toute intervention.
- Les réparations doivent être faites par un technicien qualifié.

For Monogram local service in your area, call 1.800.444.1845.

For Monogram service in Canada, call 1.800.561.3344

For Monogram Parts and Accessories, call 1.800.626.2002.

www.monogram.com

CONTENTS

Planning Guide

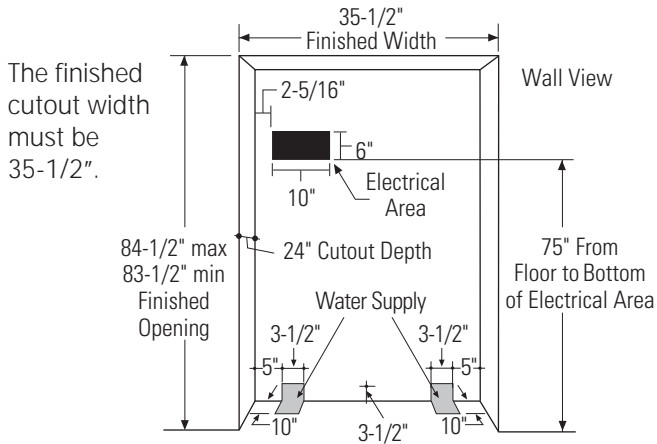
The Installation Space.....	3
Dimensions and Clearances.....	3
130° Door Swing.....	4
90° Door Swing.....	5
Customization Basics.....	6
Panel Dimensions.....	7
Side Panels.....	8
ZUG2 Grille Panel Dimensions.....	8

Installation Instructions

Tools, Hardware, Materials.....	9	Step 8, Install Grille Panel.....	14
Grounding the Refrigerator.....	9	Step 9, Install Framed Panels.....	15
Step 1, Remove Packaging.....	10	Step 9A, Install Overlay Panels.....	16
Step 2, Install Water Line.....	10	Step 10, Connect Water Supply.....	17
Step 2A, RO Water Line.....	11	Step 11, Connect Power.....	17
Step 3, Install Side Panels.....	11	Step 12, Start Icemaker.....	17
Step 4, Install Anti-Tip Brackets.....	11	Step 13, Install Toekick.....	18
Step 5, Level Refrigerator.....	13		
Step 6, Secure Refrigerator to Cabinetry.....	13		
Step 7, Adjust Door Swing.....	14		

Design Guide

THE INSTALLATION SPACE



Water And Electrical Locations

Electrical and water supply must be located as shown.

The cutout depth must be 24"

The refrigerator will project forward, slightly beyond adjacent cabinetry, depending on your installation. Allow minimum 1/8" air gap between case back & wall.

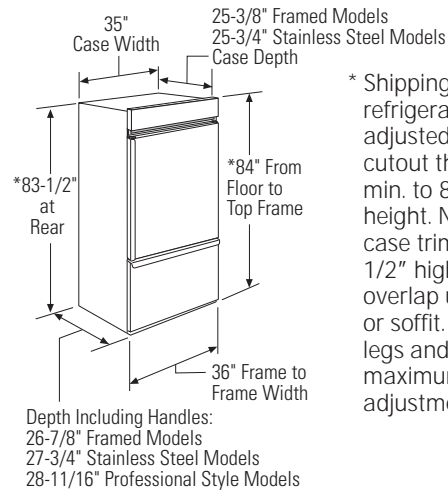
Cutout depth beneath a soffit:

When installed beneath a soffit, the soffit cannot exceed the 24" installation depth shown. The top case trim overlaps the bottom of the soffit.

Additional Specifications

- A 115 volt 60Hz., 15 or 20 amp power supply is required. An individual properly grounded branch circuit or circuit breaker is recommended. Install a properly grounded 3-prong electrical receptacle recessed into the back wall. Electrical must be located on rear wall as shown.
- Note: GFI (ground fault interrupter) is not recommended.
- Water line can enter the opening through the floor or back wall. Route GE SmartConnect™ kit or 1/4" O.D. copper tubing between the cold water line and the water connection location. The tubing should be long enough to extend to the front of the refrigerator. Installation of an easily accessible shut-off valve in the water line is required.

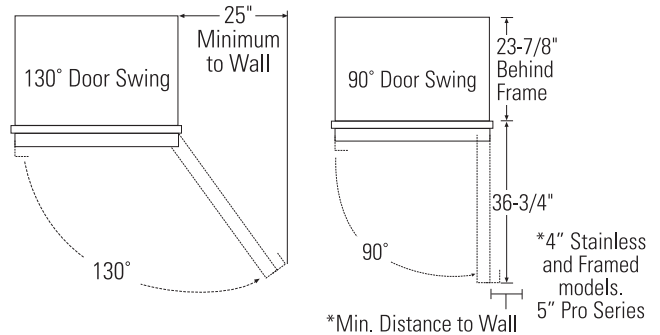
DIMENSIONS AND CLEARANCES



* Shipping height. The refrigerator can be adjusted to fit into a cutout that is 83-1/2" min. to 84-1/2" max. height. Note that the top case trim at the front is 1/2" higher and will overlap upper cabinetry or soffit. Use leveling legs and wheels for a maximum 1" height adjustment.

Product Clearances

These refrigerators are equipped with a 2-position door stop. The factory set 130° door swing can be adjusted to 90° if clearance to adjacent cabinets or walls is restricted.



Allow 25" minimum clearance for a full 130° door swing. Allow 15" for pan removal.

For a 90° door swing, allow 4" min. clearance to a wall, for framed and stainless steel models. Allow 5" min. clearance for professional style models. If the 90° door stop position is used, pan access is maintained, but pan removal is restricted.

See illustrations pages 4 and 5 to determine door swing interaction with adjacent cabinets or countertops.

ZUG2, ZUGSS2 Unified Grille Panel Kit

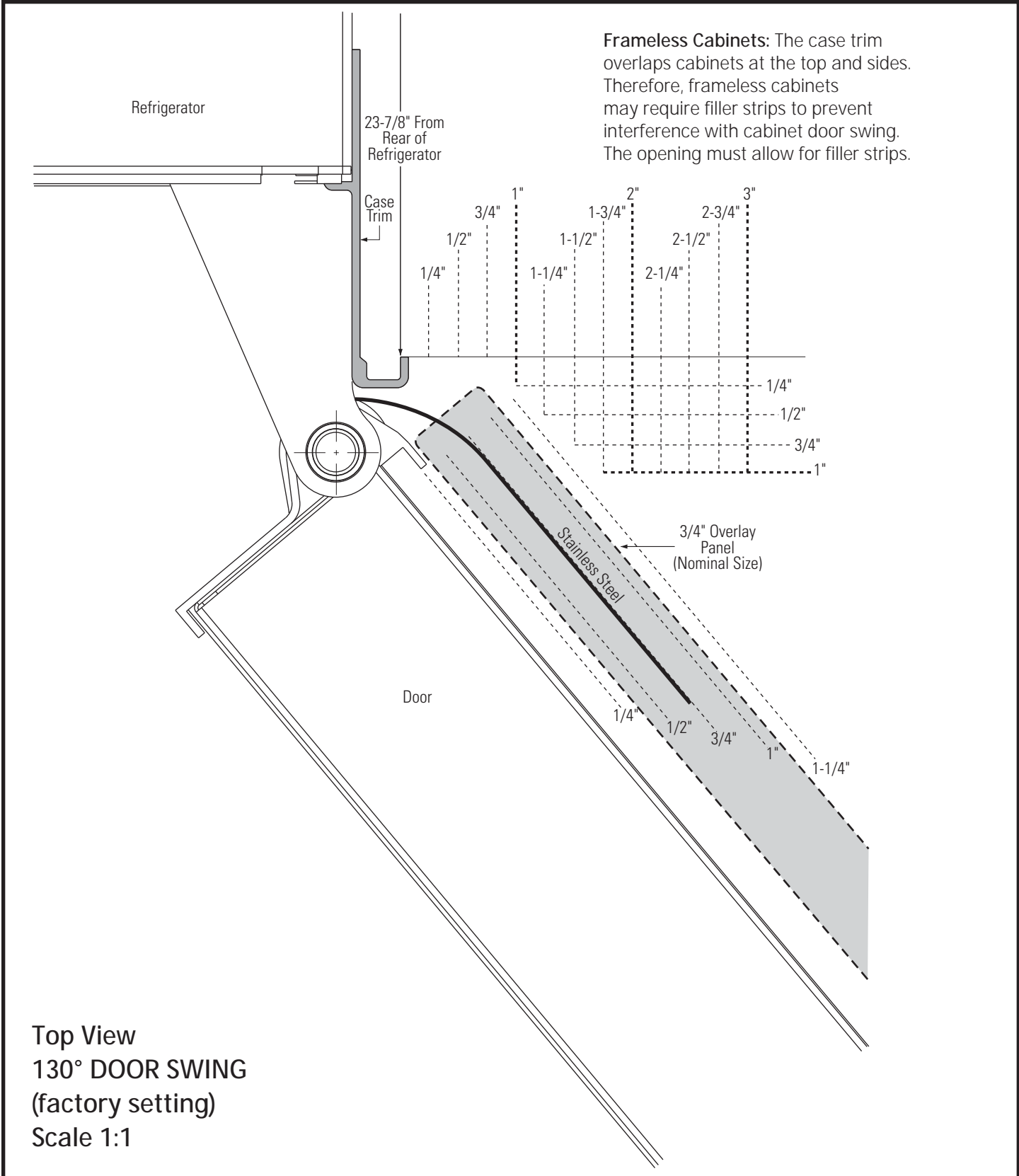
- If you are installing two refrigerators, side by side, the installation space must be 71-1/2" wide.

Note: Additional cutout width may be required when side panels are used. Add side panel thickness to the finished cutout to calculate rough-in width.

- The water and electrical locations for each product must be located as shown.
- A separate 115V, 60Hz., 15 or 20 amp power supply is recommended for each product.

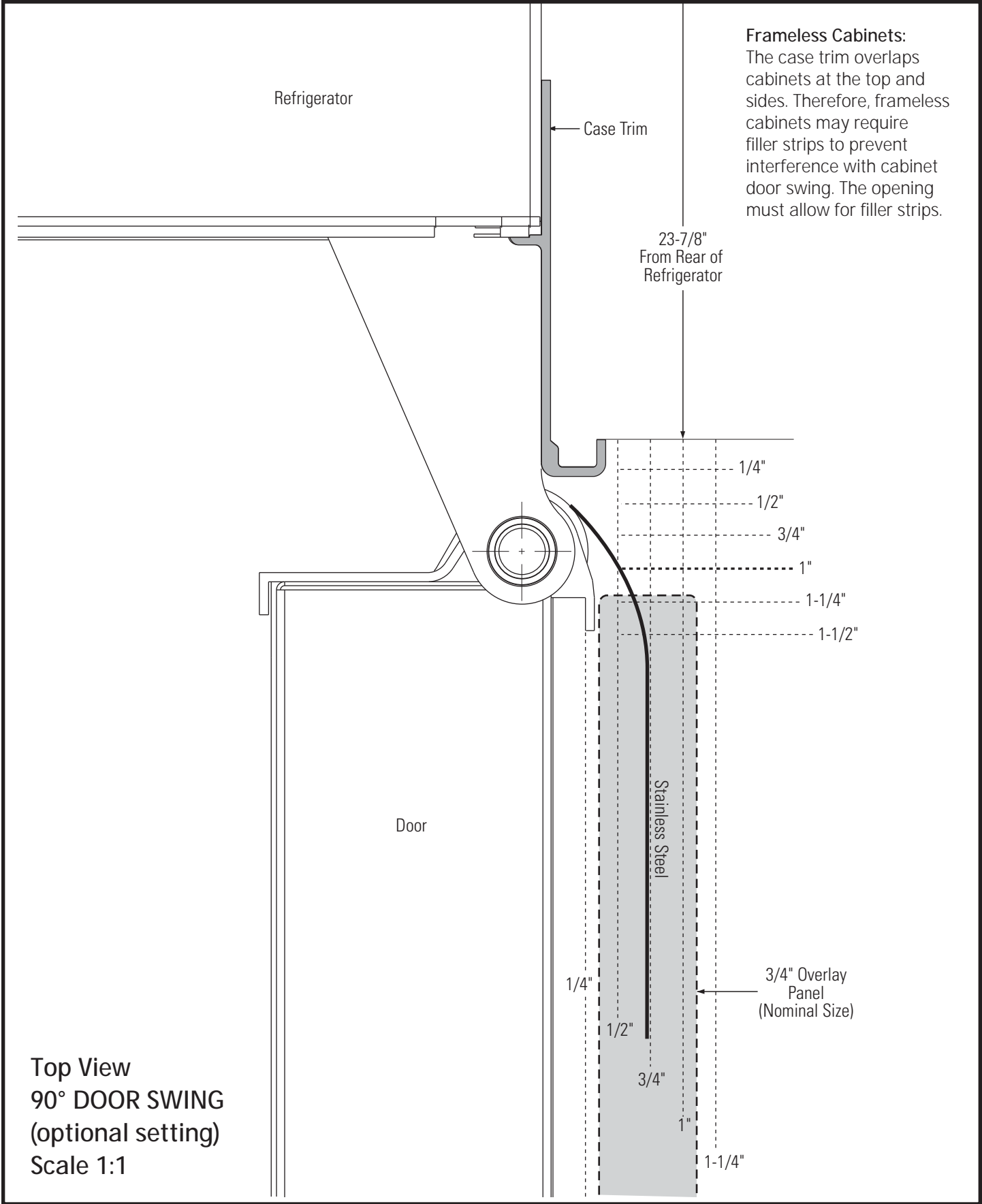


Design Guide



Top View
 130° DOOR SWING
 (factory setting)
 Scale 1:1

Design Guide



Top View
90° DOOR SWING
(optional setting)
Scale 1:1

Design Guide

CUSTOMIZATION BASICS:

Framed Or Overlay Panels, Custom Handles and Accessory Kits

Professional Style Stainless Steel Refrigerators

Stainless steel wrapped refrigerators with beveled edges and professional style handles. These models are shipped ready for installation.

Stainless Steel Wrapped Refrigerators

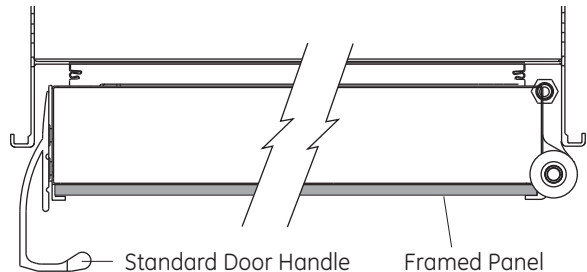
Stainless steel wrapped refrigerators with beveled edges and tubular stainless steel handles that coordinate with other Monogram appliances. These models are shipped ready for installation.

Trimmed Refrigerators

Trimmed refrigerators are designed to be customized with decorative panels. Field installed custom door and grille panels are required.

Framed panels

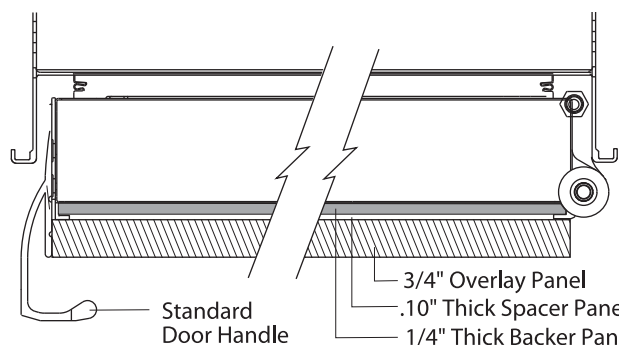
You may install 1/4" thick custom panels from your cabinet manufacturer. The decorative panel slides into the factory installed trim. Or, order black, white and stainless steel accessory panels from your Monogram dealer.



Standard supplied handles shown in 1/4" panel position.

Overlay panels

You may also choose to install custom overlay panels from your cabinet manufacturer. This design provides a seamless appearance which integrates smoothly with surrounding cabinetry.



Standard supplied handles shown in 3/4" overlay panel position.

Door and Drawer Handles

The standard supplied handles can be adjusted to accommodate both framed or overlay panels. Custom handles of your choice, supplied by your cabinet maker can also be installed on overlay panels. If desired, you may order ZKHCS2 Monogram stainless steel tubular handle kit for 3/4" overlay panels.

Side Panels

Side panels must be used whenever the sides of the refrigerator will be exposed.

Optional Accessory Kits

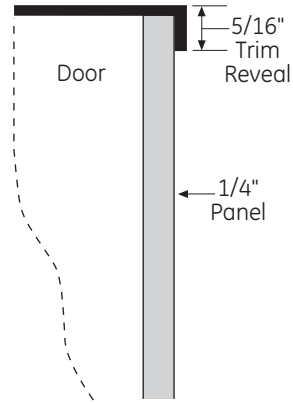
- ZKHCS2: Monogram Tubular Stainless Steel handles designed to fit 3/4" overlay panels. This kit also includes a handle side trim for custom handles.
- ZKHPSS1: Professional Tubular Stainless Steel Handle designed to fit 3/4" overlay panels. Kit includes one handle. Order 2 kits for bottom-freezer refrigerators from your Monogram supplier.
- ZUG2: For side-by-side installation of two trimmed bottom-freezer refrigerators. This kit provides for the installation of a unified custom grille panel to span the width of two units using a framed or overlay panel.
- ZUGPP2: For side-by-side installation of two professional-style bottom-freezer refrigerators. This kit provides a unified stainless steel grille panel to span the width of two units.
- ZUGSS2: For side-by-side installation of two stainless steel wrapped bottom-freezer refrigerators. This kit provides a unified stainless steel grille panel to span the width of two units.
- ZKHCT: Handle side trim for left-hand and right-hand doors. For use on 3/4" custom panels when using a custom handle.

Design Guide

1/4" FRAMED PANEL DIMENSIONS

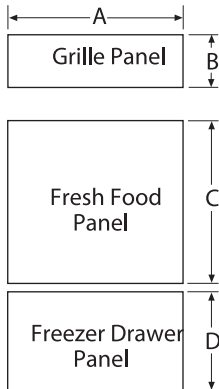
If you choose to install framed panels, they must be cut to the dimensions shown. The panels will slide into the frame on the door, drawer and grille.

If the custom panel is less than 1/4" thick and if it fits loosely in the door frame, it can be backed up with a piece of filler material or foam tape to improve the fit.



IMPORTANT NOTE: Maximum total panel weight:

- Fresh food door panel – 58 lbs.
- Freezer drawer panel – 28 lbs.
- Grille Panel – 11 lbs.



Framed Panel Dimensions

	A (Width)	B (Grille Height)	C (FF Height)	D (FZ Height)
1/4" Framed Panel	33-7/8"	8-7/8"	46-1/16"	21-7/8"

Overlay Panel Dimensions

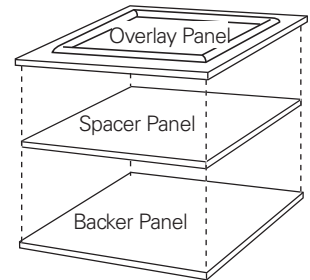
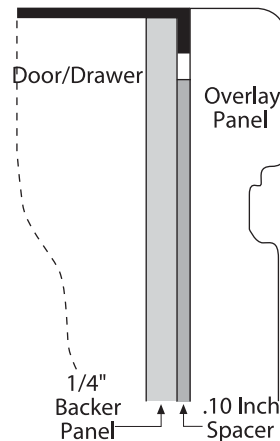
	A (Width)	B (Grille Height)	C (FF Height)	D (FZ Height)
1/4" Backer Panel	33-7/8"	8-7/8"	46-1/16"	21-7/8"
0.10" Spacer Panel	32-1/2"	7-5/8"	44-11/16"	20-1/2"
3/4" Overlay Panel	34-1/8"	9"	46-5/16"	22"

3/4" OVERLAY PANEL DIMENSIONS

For a more custom appearance, overlay panels may be installed on trimmed models. The overlay panel must be secured to a 1/4" thick backer panel which slides into the trim. A spacer panel 0.10" thick must be placed between the overlay and backer panel.

Assemble the panels with glue and screws.

- Center the spacer panel on the backer panel, left to right and top to bottom. Secure the panels with glue.
- Center the spacer and backer panel on the overlay panel and secure with glue and screws. Screws must be countersunk into the backer panel.



IMPORTANT NOTE: Maximum total weight for the assembled panels:

- Fresh food door panel – 58 lbs.
- Freezer drawer panel – 28 lbs.
- Grille Panel – 11 lbs.

NOTE: Left-to-right offset is not always equal to top-to-bottom offset.

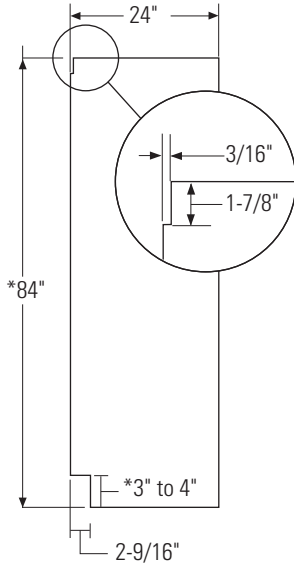
Design Guide

SIDE PANELS

Side panels must be used whenever the sides of the refrigerator will be exposed. The 1/4" side panels will slip into the side case trim. Secure the panels to the refrigerator with stick-on hook and loop fastener strips. Order the side panels from the cabinet manufacturer.

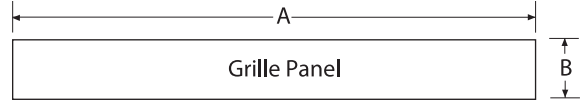
- Cut a notch in the top front corner as shown to allow clearance for corner keys in the front side trim.

* Depending on installation height.



ZUG2 GRILLE PANEL DIMENSIONS

The ZUG2 unified grille panel kit provides for the installation of a framed or overlay grille panel.

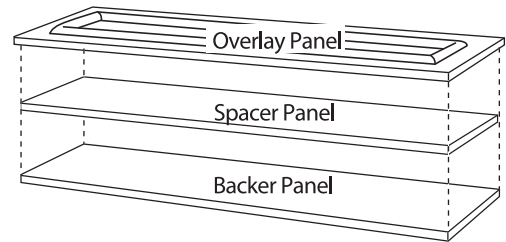


Framed Panel Dimensions

	A (Width)	B (Height)
1/4" Framed Panel	69-7/8"	8-7/8"

Overlay Panel Dimensions

	A (Width)	B (Height)
1/4" Backer Panel	69-7/8"	8-7/8"
0.10" Spacer Panel	68-1/2"	7-5/8"
3/4" Overlay Panel	70-1/8"	9"



Assemble the overlay panels in the same manner as the door and drawer panels.

Installation Instructions

TOOLS REQUIRED

- Tinsnips to cut banding
- Stepladder
- Bucket
- Level
- Appliance Hand Truck
- Tubing cutter
- 7/16" open-end wrench
- #2 Phillips screwdriver
- Drill and appropriate bits
- 5/16", 7/16" socket
- Safety glasses
- 1-1/4" open end wrench
- Pliers
- 1/4" ratchet

HARDWARE SUPPLIED

- Water filter bypass plug
- Anti-Tip brackets
- 1/4" nut and ferrule

MATERIALS REQUIRED

- 35" long 2x4 for Anti-Tip support
- 1/4" copper water line tubing or GE SmartConnect™ Refrigerator Tubing kits
- Water shut-off valve
- Custom panels for fresh food door, freezer drawer and grille panel
- Screws to secure refrigerator to cabinetry.
- Stick-on hook and loop fastener strips for 1/4" side panels

FLOORING

For proper installation, this refrigerator must be placed on a level surface of hard material that is at the same height as the rest of the flooring. This surface should be strong enough to support a fully loaded refrigerator, or approximately 1,200 lbs.

NOTE: Protect the finish of the flooring. Cut a large section of the cardboard carton and place under the refrigerator where you are working.

GROUNDING THE REFRIGERATOR

IMPORTANT—(Please read carefully)

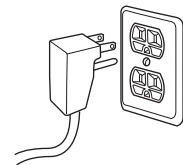
FOR PERSONAL SAFETY, THIS APPLIANCE MUST BE PROPERLY GROUNDED.

The power cord of this appliance is equipped with a 3-prong (grounding) plug which mates with a standard three-prong (grounding) wall receptacle to minimize the possibility of electric shock hazard from this appliance.

Have the wall outlet and circuit checked by a qualified electrician to make sure the outlet is properly grounded.

Where a standard 2-prong wall outlet is encountered, it is your personal responsibility and obligation to have it replaced with a properly grounded 3-prong wall outlet.

DO NOT, UNDER ANY CIRCUMSTANCES, CUT OR REMOVE THE THIRD (GROUND) PRONG FROM THE POWER CORD.



DO NOT USE AN ADAPTER PLUG TO CONNECT THE REFRIGERATOR TO A 2-PRONG OUTLET.

DO NOT USE AN EXTENSION CORD WITH THIS APPLIANCE.

Installation Instructions

STEP 1 REMOVE PACKAGING

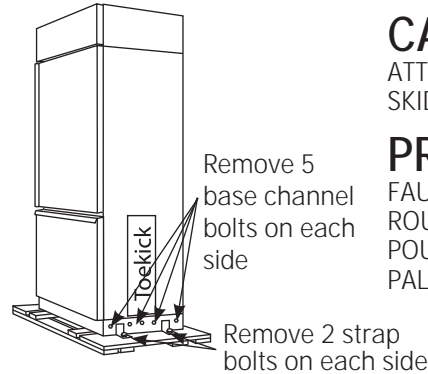
CAUTION: Refrigerator is much heavier at the top than at the bottom—be careful when moving. When using a hand truck, handle from side only.

PRUDENCE: Le réfrigérateur est beaucoup plus lourd en haut qu'en bas. Il faut être prudent lors des déplacements. Si un diable est utilisé, il faut soulever le réfrigérateur sur le côté seulement.

- Carefully cut banding at the top and bottom, remove outer carton.
- Slide out back corner posts (2).
- Slide carton off top of cabinet.

NOTE: IT IS NOT NECESSARY TO LAY CABINET DOWN IN ORDER TO REMOVE SKID!

- The unit is secured to the skid with 2 full-length tie-down straps. Remove the ten 5/16" bolts from the base channels in the tie-downs.



CAUTION: DO NOT ATTEMPT TO ROLL UNIT OFF SKID.

PRUDENCE: IL NE FAUT PAS ESSAYER DE FAIRE ROULER LE RÉFRIGÉRATEUR POUR L'ENLEVER DE LA PALETTE.

- Remove the four 7/16" bolts securing the straps to the skid.
- Support blocks on the bottom of the refrigeration case must be removed before the refrigerator is taken off the skid or damage will occur. Carefully, tilt refrigerator and slide blocks out from beneath.
- Remove toekick. Set aside for final installation.
- Lift the refrigerator off the skid with an appliance dolly. Handle from the sides.

STEP 2 INSTALL WATER LINE

- A cold water supply is required for automatic icemaker operation. The water pressure must be between 40 and 120 p.s.i.
- Route 1/4" OD copper or GE SmartConnect™ plastic tubing between house cold water line and the water connection location.
- Tubing should be long enough to extend to the front of the refrigerator. Allow enough tubing to accommodate bend leading into the water line connection.

NOTE: The only GE-approved plastic tubing is supplied in the GE SmartConnect™ Refrigerator Tubing kits. Do not use any other plastic water supply line because the line is under pressure at all times. Other types of plastic may crack or rupture with age and cause water damage to your home.

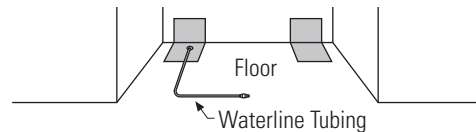
GE SmartConnect™ Refrigerator Tubing Kits are available in the following lengths:

2' (.6 m)	WX08X10002	6' (1.8 m)	WX08X10006
15' (4.6 m)	WX08X10015	25' (7.6 m)	WX08X10025

Shut off the main water supply.

Turn on the nearest faucet long enough to clear the line of water.

- Install a shut-off valve between the icemaker water valve and cold water pipe in a basement or cabinet. The shut-off valve should be located where it will be easily accessible.



- Turn on the main water supply and flush debris. Run about a quart of water through the tubing into a bucket. Shut off water supply at the shut-off valve.

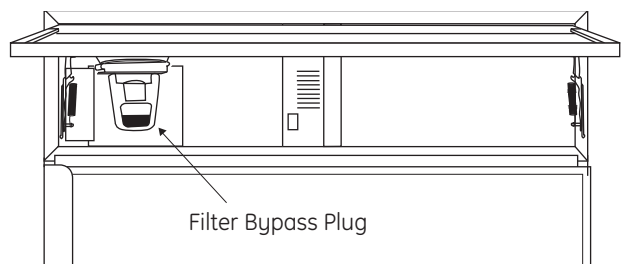
NOTE: Saddle type shut-off valves are included in many water supply kits, but are not recommended for this application.

NOTE: Commonwealth of Massachusetts Plumbing Codes 248CMR shall be adhered to. Saddle valves are illegal and use is not permitted in Massachusetts. Consult with your licensed plumber.

STEP 2A WATER LINE INSTALLATION WITH A REVERSE OSMOSIS SYSTEM

Skip this step when not using an RO System

If the water supply to the refrigerator is from a Reverse Osmosis Water System, use the refrigerator's filter bypass plug. Using the refrigerator's water filtration cartridge with the RO filter can result in hollow ice cubes.



Installation Instructions

STEP 3 INSTALL SIDE PANELS

Skip this step when not using side panels

If you are using 1/4" side panels, they should be inserted into the case trim. Fasten the panels to the refrigerator with stick-on hook and loop fastener strips before setting refrigerator in place.

STEP 4 INSTALL ANTI-TIP BRACKET

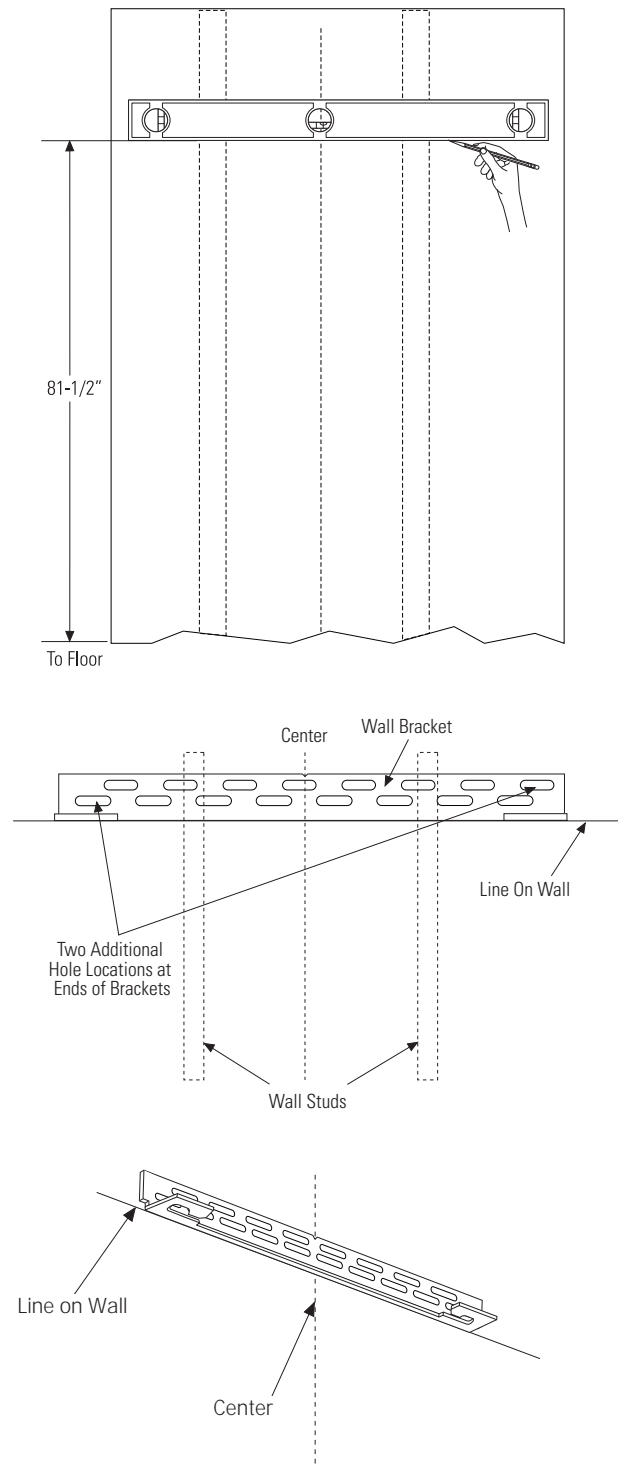
⚠ WARNING: ANTI-TIP PRECAUTIONS

The unit is top-heavy and must be secured to prevent the possibility of tipping forward.

⚠ AVERTISSEMENT : PRECAUTIONS CONTRE LES BASCULEMENTS

L'appareil ménager est beaucoup plus lourd en haut et il faut le maintenir en place pour éviter la possibilité de son basculement vers l'avant.

- The kit supplied with the unit contains 2 lag bolts and 4 toggles with bolts. The wall bracket will be attached to the wall in 4 places.
- Measure the opening where the unit is to be installed. Mark the center with a vertical line.
- Measure up 81 1/2" from the floor. Mark this point on the wall.
- Using a level, draw a horizontal line on the wall at this height.
- Locate at least 2 studs on the back wall. Mark these points on the horizontal line.
- Place the bottom of the wall bracket with tabs on the horizontal line. Align the center notch on the bracket with the center line on the wall.
- The anti-tip wall bracket has a series of holes. Select 2 holes that match with the located studs. Make sure the holes selected are on the center of the studs. Mark the wall at these points.
- Mark an additional hole at each end of the bracket. If one of the studs is closer to the end of the bracket, mark an additional hole towards the center of the bracket.
- Drill 1/2" holes into the wall board at the locations marked for the toggles to be mounted (not the stud markings).
- Drill 3/16" holes into wooden studs where marked. If steel stud construction, drill 1/2" holes into the studs where marked. You will use 2 toggles with the metal studs.



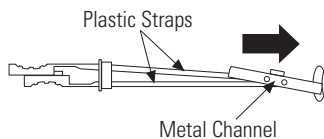
Installation Instructions

STEP 4 INSTALL ANTI-TIP BRACKET (cont.)

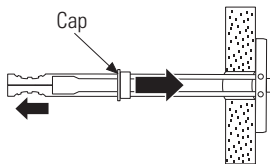
Install Wall Toggles:

The wall toggles and bolts can be ordered as Service Kit #WR49X10193. Wall toggles are installed in the drywall and metal studs for stability. Install the wall toggles as follows:

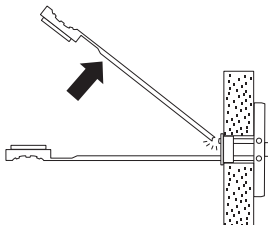
- Drill 1/2" holes at the wall markings made in the holes at the ends of the wall bracket.
- Hold the metal channel flat against the plastic straps and slide the channel through the hole.



- Gently pull back at the ends of the plastic straps to make the channel rest flush behind the wall.
- Hold the ends of the straps in one hand and slide the plastic cap along the straps until the flange of the cap is flush with the wall.

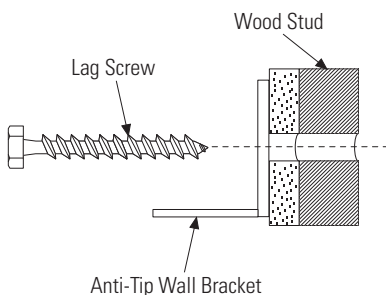


- Place your thumb between the plastic straps and bend up and down to snap the straps off at the wall.

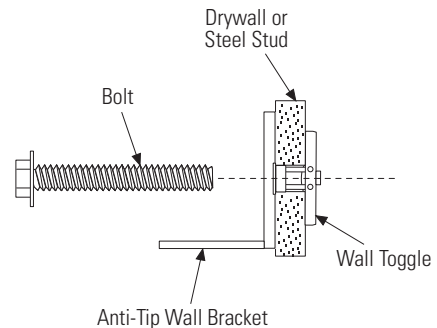


Install Screws and Bolts:

- Have someone hold the wall bracket centered in place with each of the holes aligned with the correct opening in the bracket and level with the horizontal line.
- Insert the lag screws through the bracket and into the stud. Tighten with a wrench.

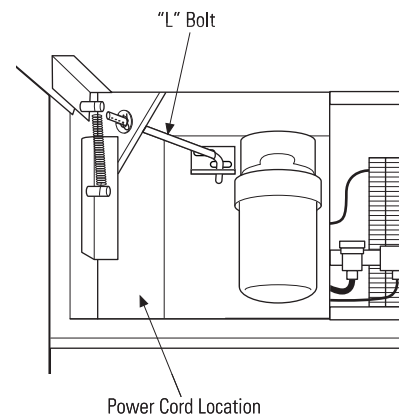


- Insert the bolts into the toggle by hand until snug. Tighten with a wrench.



Power Cord

Locate the power cord inside the left cavity. If it has not been adjusted so the plug is easily accessible, do so now.



Move Unit into Final Position

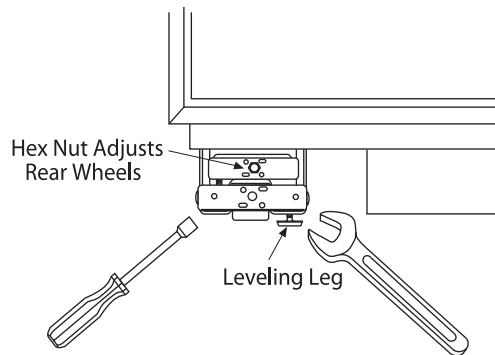
- Open the access panel.
- Move refrigerator toward its final installed location. Align the tabs on the wall bracket with the openings in the back of the unit.
- The unit has an "L" bolt in the upper left corner inside of the access compartment. This bolt will interlock with the wall bracket and secure the unit using the washers and hair pin cotter in the hardware kit once the unit has been leveled and is in the final position.

Installation Instructions

STEP 5 LEVEL REFRIGERATOR

All models have 4-point leveling. The front is supported by leveling legs, the rear is supported by adjustable wheels. Both are accessible from the front of the refrigerator.

- To level the back of the refrigerator, turn the 7/16" hex nut located above the front wheels. Turn clockwise to raise or counterclockwise to lower the refrigerator.
- For front leveling, use a 1-1/4" open-end wrench.
- Adjust height of refrigerator to match installation cutout opening 83-1/2 to 84-1/2". The refrigerator should be level and plumb with cabinetry.



CAUTION:

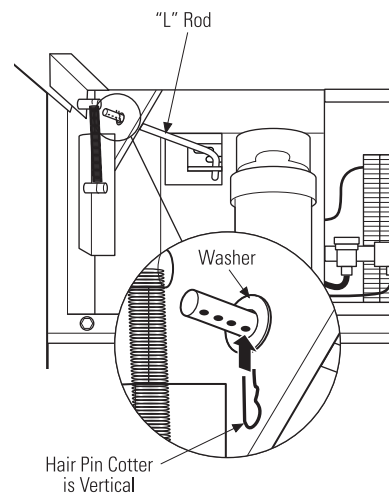
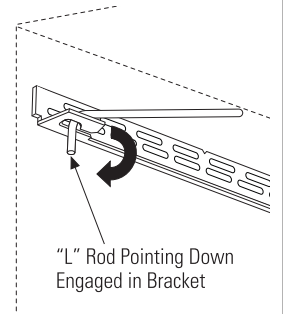
The rear leveling wheels and front leveling legs are limited to a maximum height adjustment of 1". If the installation requires more than 84-1/2" height, the installer should elevate the refrigerator on a sheet of plywood or runners. Cabinetry trim could also be added across the top of the opening to shorten the opening. If you attempt to raise the refrigerator more than 1", you will damage the front leveling legs and the rear leveling wheels.

PRUDENCE

Les roues de nivellement arrière et les pattes de nivellement avant permettent un réglage maximal de 25 mm (1 po). Si l'ouverture pour le réfrigérateur a une hauteur supérieure à 2,15 m (84-1/2 po), l'installateur doit élever le réfrigérateur sur une feuille de contre-plaqué ou des glissières. Il est également possible d'ajouter des baguettes de finition des placards sur le haut de l'ouverture afin de la réduire. Lever le réfrigérateur de plus de 25 mm (1 po) endommage les pattes de nivellement avant et les roues de nivellement arrière.

STEP 6 SECURE UNIT TO WALL

- The "L" rod can be found in the upper left corner of the unit in the access compartment. Look through the access compartment to make sure the rod lines up with the anti-tip bracket.
- There are 2 washers and a hair pin cotter with the rod. Remove the washers and hair pin cotter from the end of the rod.
- Rotate and move the "L" rod into the slot in the anti-tip bracket. Once it is in the slot, rotate the "L" rod so the hook portion is pointing down. The holes at the front end of the rod should be in a vertical position.
- Pull out on the end of the rod to make sure it is secure in the bracket.
- Locate the hole on the rod that is closest to the unit. A hair pin cotter will be put through this hole to secure the rod. If this hole appears to be too far away for a snug fit against the unit, add the washers one at a time until the pin will fit tightly into the hole.
- Align the straight section of the pin with the hole from the underside of the rod. Push the pin up until it snaps into position. Pliers may be used. **NOTE:** The hair pin cotter must be vertical when this step is completed to ensure the "L" rod is engaged in the bracket.
- Check the rod for tightness by pulling forward. If the rod moves, remove the hair pin cotter and place another washer on the rod. Reinsert the pin.

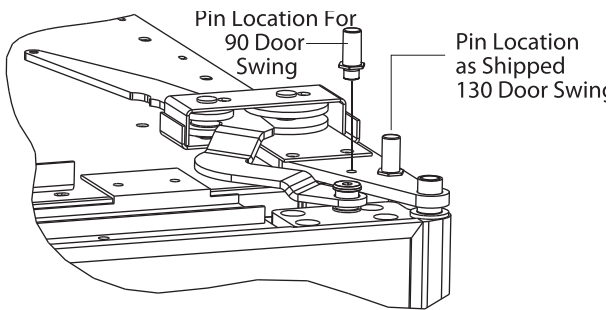
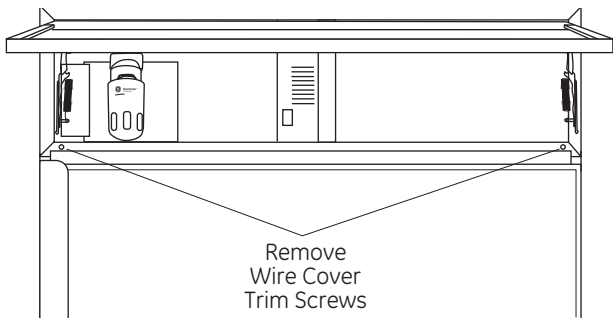


Installation Instructions

STEP 7 ADJUST DOOR SWING

NOTE: This refrigerator has a 2-position door stop. When space does not allow the door to swing open fully to 130°, you may change the door swing to a 90° opening. **Skip this step if door opening is satisfactory for your installation situation.**

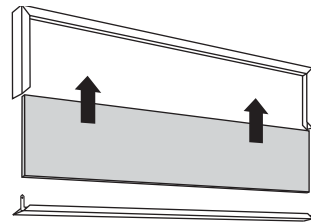
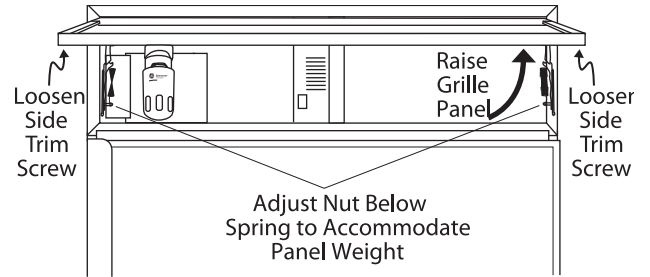
- Lift the grille panel to access the wire cover trim.
- Remove screws on both sides of the wire cover trim and rotate off.
- Use pliers to unscrew door stop and reinstall into the 90° position.



- Reinstall the wire cover trim.

STEP 8 INSTALL GRILLE PANEL

- Raise the grille panel to stop position.

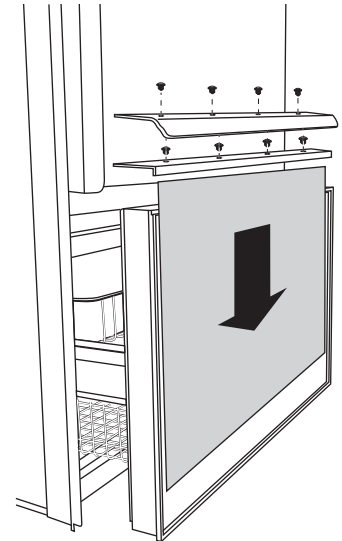
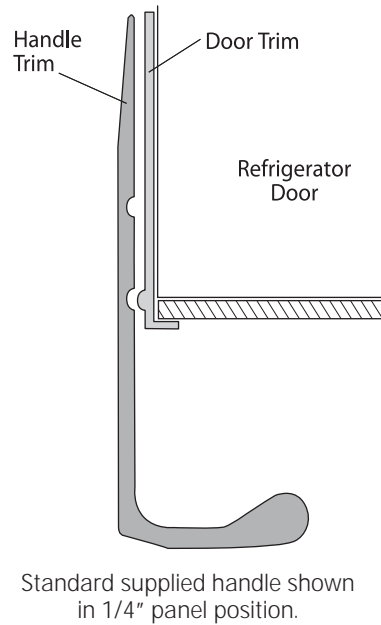
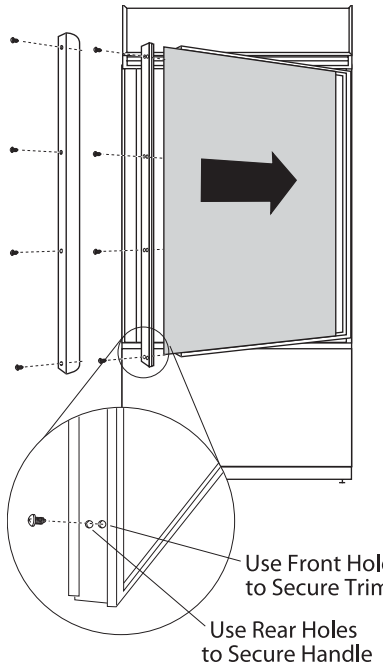


- Loosen screws on side trim behind frame. Remove bottom trim.
- Slide panel over the metal backer panel and into the trim.
- If necessary, tap with a wood block until panel slips under the top trim piece.
- Reassemble bottom trim. Tighten screws.
- Adjust the hinge spring to accommodate the panel weight, if necessary.

Installation Instructions

STEP 9 INSTALL 1/4" FRAMED PANELS

Right hand models shown. Use the same instructions for left hand models.
IF YOU ARE INSTALLING OVERLAY PANELS, GO TO STEP 9A.



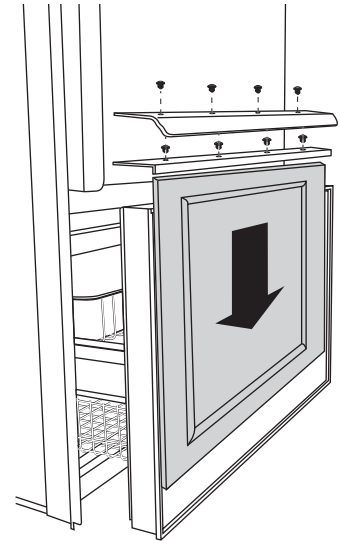
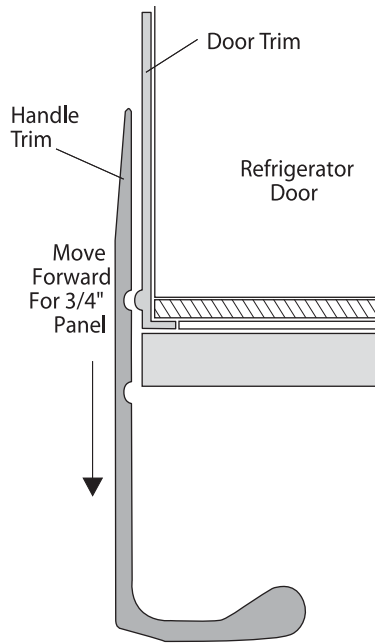
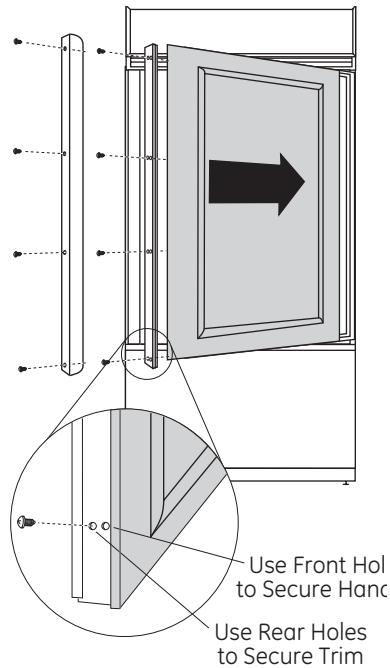
Install door and drawer panels:

- Open door to 90°. Remove the 4 Phillips head screws from the door handle.
- Remove handle. Retain all screws.
- Remove 4 screws holding trim, lift off trim. Retain screws.
- Slide framed panel into the door trim.
- There are two sets of holes in the handle side trim. Replace handle side trim by installing the original screws in the FRONT screw holes.
- Secure the handle to the door using the REAR screw holes.
- Follow the same procedures to install the drawer panel.

Installation Instructions

STEP 9A INSTALL OVERLAY PANELS

Right hand models shown. Use the same instructions for left hand models.



Supplied handle shown in the overlay panel position.

Install door and drawer panels:

- Open door to 90°. Remove the 4 Phillips head screws from the door handle.
- Remove handle. Retain all screws.
- Remove 4 screws holding trim, lift off trim. Retain screws.
- Slide overlay panel into the door trim.
- There are two sets of holes in the handle side trim. Replace handle side trim by installing the original screws in the REAR screw holes.
- Secure the handle to the door using the FRONT screw holes.
- Follow the same procedures to install the drawer panel.

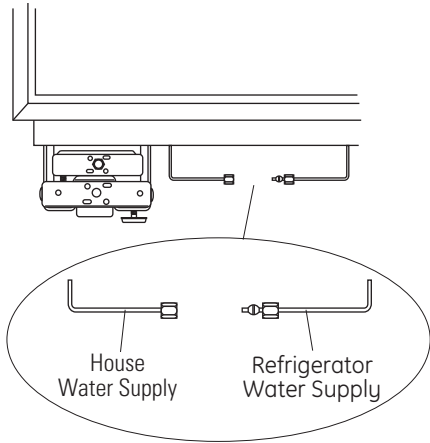
Custom handles

If you are using custom handles, the handle must be properly secured to the panel before sliding the panel into the trim.

- The cabinet manufacturer will supply the custom handle and hardware.
- Secure the door/drawer trim using both the FRONT and REAR screw holes. Discard supplied handle.

Installation Instructions

STEP 10 CONNECT WATER SUPPLY



- Locate and bring tubing to the front of the cabinet.
- Turn the water on to flush debris from line. Run about a quart of water through tubing into a bucket, then shut off water.

Copper Tubing:

- Slip a 1/4" nut and ferrule (provided) over both ends of the copper tubing. Insert tube into the union fitting on the unit and tighten nut to union.
- Turn on the water to check for leaks.

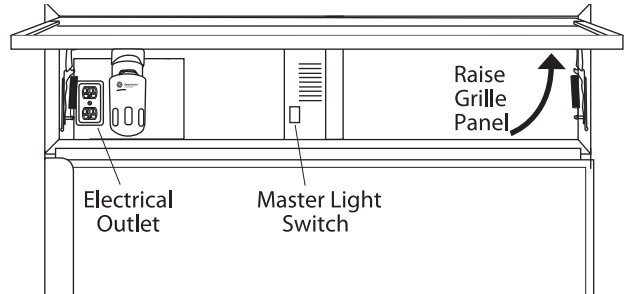
GE SmartConnect™ Tubing:

- Insert the molded end of the tubing into the refrigerator connection. Tighten the compression nut until it is just hand tight.
- Tighten one additional turn with a wrench. Overtightening can cause leaks!
- Turn on the water to check for leaks.

Note: Make sure excess tubing length does not interfere with drawer closing or toekick installation.

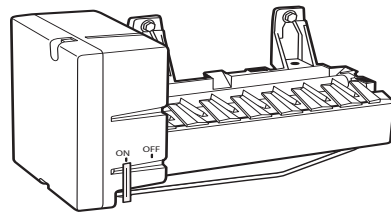
STEP 11 CONNECT POWER

- Check to be sure the power cord is plugged into the receptacle.



- Check to make sure power to refrigerator is on by opening refrigerator door to see if interior lights are on.
- The temperature controls are preset at 37°F for the fresh food section and 0°F for the freezer.
- Allow 24 hours to stabilize before making adjustments.

STEP 12 START ICEMAKER

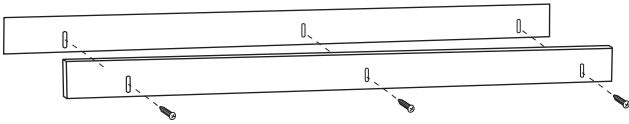


- Flip the switch to I (ON). The icemaker will begin operation automatically.
- Be sure nothing interferes with the sweep of the feeler arm.
- Discard the first full bucket of ice cubes.
- To turn the icemaker off, set the switch to O (OFF).

Installation Instructions

STEP 13 INSTALL TOEKICK

- Locate the supplied toekick (shipped taped to the side of the refrigerator). Install the toekick assembly with the 3 screws provided, adjust to the desired height and tighten the screws.



- A custom toekick can be installed to match or complement the surrounding cabinetry. Use the supplied toekick as a template to cut the shape.

IMPORTANT: The gap between the bottom of the refrigerator cabinet and the top of the toekick must remain unobstructed for proper air circulation.

Notes

NOTE: While performing installations described in this book, safety glasses or goggles should be worn.

For Monogram® local service in your area, call 1.800.444.1845.

NOTE: Product improvement is a continuing endeavor at General Electric. Therefore, materials, appearance and specifications are subject to change without notice.

Pub. No. 49-60706-1
Part No. 224D3735P001

03-14 GE



GE Consumer & Industrial
Appliances
General Electric Company
Louisville, KY 40225
GEAppliances.com