

# Installation Instructions

## ZKHCT Handle Side Trim (for Use with Custom Handles)

Before you begin – Read these instructions completely and carefully.

Note to Installer: Be sure to leave these instructions with the Consumer.

Note to Consumer: Keep these instructions with your Owner's Manual for future reference.

Right hand door swing models are illustrated in these instructions. Follow these same instructions for left hand models.

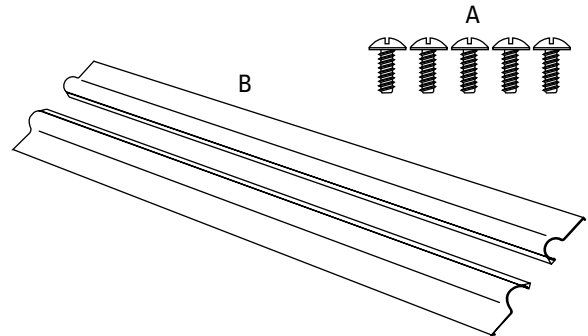
This handle side trim should be installed on 3/4" overlay panels when using custom handles.

### Tools and materials required:

- #2 Phillips screwdriver
- Drill and 7/32", 1/8" bits and 7/8" spade bit
- Custom door panels
- Safety glasses
- Center punch
- Hammer
- Pencil

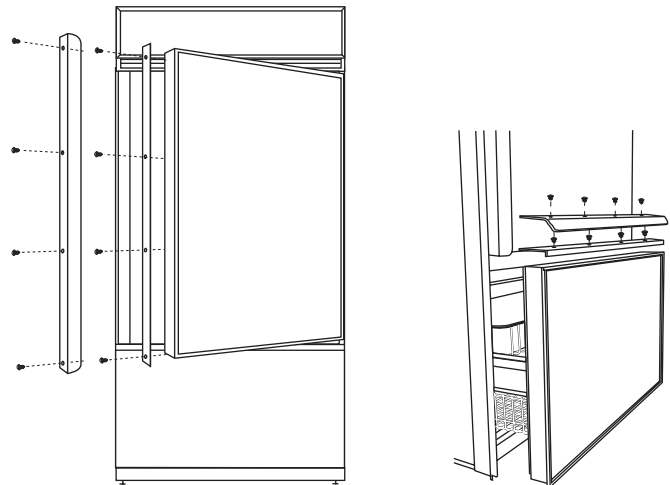
### Parts List:

- A. 5 Trim screws (4 required, one extra) 8665
- B. Handle side trim for LH models (75468), trim for RH models (75469)

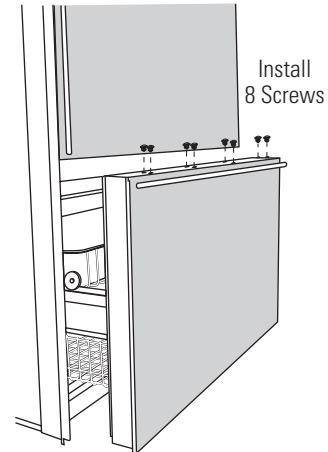
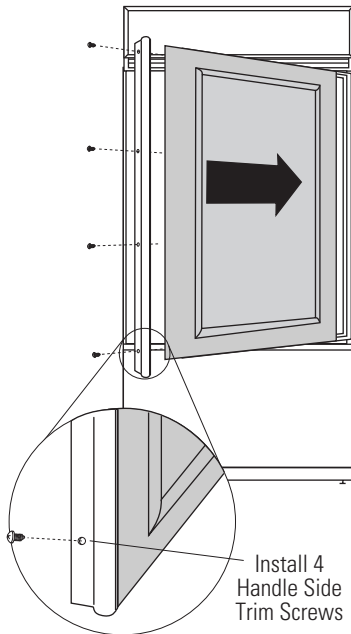


## STEP 1 REMOVE DOOR AND DRAWER HANDLES

- Open refrigerator door to 90°. Remove the 4 screws holding the handle to the door.
- Remove 4 screws holding handle side trim. Discard all screws and trim. Discard handle.
- Open freezer drawer to access handle and trim. Remove and discard handle, **retain screws and trim.**

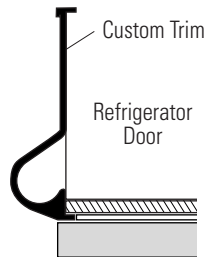


## STEP 2 INSTALL ASSEMBLED PANELS



- Slide assembled panel into the drawer trim.
- Secure the original drawer trim using original round head trim screws.

- Install custom handles according to the manufacturer's instructions.
- Slide assembled door panel into the trim.
- Determine the correct trim for your model (for left or right door swing). Place trim against the side of the refrigerator door, aligned top to bottom. The holes in the trim should align to the holes in the door. Discard the other trim piece.
- Remove trim. Use a 1/8" bit to drill the semi-punched holes in the refrigerator door.
- Secure the new custom handle side trim using the supplied screws.



**Trim to Panel Fit**

**Note:** While performing installations described in this book, safety glasses or goggles should be worn.

For Monogram® local service in your area, call 1.800.444.1845.

**Note:** Product improvement is a continuing endeavor at General Electric. Therefore, materials, appearance and specifications are subject to change without notice.



**Monogram®**

GE Consumer & Industrial  
GE Appliances  
General Electric Company  
Louisville, KY 40225  
ge.com

©2006 GE Company

Pub. No. 31-46194

Dwg. No. 224D1559P001

11-06 JR