

JP930TK/KK/BK

GE Profile™ 30" Built-In CleanDesign Electric Cooktop

Dimensions and Installation Information

KW Rating	
240V	8.1
208V	6.1
Breaker Size	
240V	40 Amps†
208V	30 Amps†

†**Note:** Check local codes for required breaker size

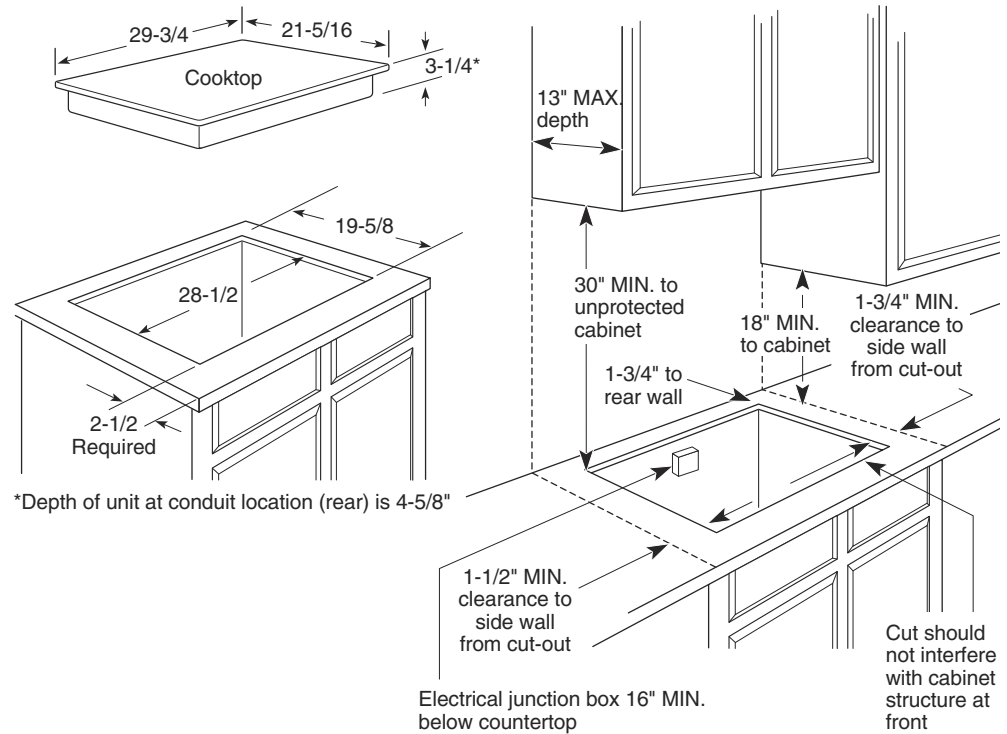
Important: Requires a 5" free area between the bottom of the cooktop to any combustible material, i.e., shelving. Free area not required when installing wall oven underneath cooktop. Refer to installation instructions. Requires an 18" minimum from cooktop to adjacent overhead cabinets. Units are furnished with a 48" flexible armored cable.

Note: 30" Ribbon cooktops are approved for use over select GE 27" and GE 30" Single Wall Ovens and Warming Drawers. Refer to cooktop and wall oven/warming drawer installation instructions packed with product for current dimensional data. If installed with a GE Profile™ Telescopic Downdraft System, consult both the cooktop and downdraft installation instructions packed with product before installing. Cooktop gas/electric supply may need to be re-routed to install downdraft. Consult cabinet and countertop manufacturer's specs for flush mount installation prior to install. **Before installing, consult installation instructions packed with product for current dimensional data.**

Filler Trim Kit: When replacing an old GE 30" cooktop (with larger opening) use the following one-piece trim kit to fill in the over-size hole. Available at additional cost. JXTR32W (True White) JXTR32B (Black glass with black, white or bisque pattern)

Flush Mount Installation Kit : Accommodates both 30" and 36" installations. Not for use with stainless steel models. JXFLM2TW (True White) JXFLM2CC (True Bisque) JXFLM2BB (Black – use with black glass cooktops with a white, bisque or black pattern)

For answers to your Monogram®, GE Profile™ or GE® appliance questions, visit our website at ge.com or call GE Answer Center® service, 800.626.2000.



Dimension and installation information are shown in inches.



imagination at work



Specification Created 12/04

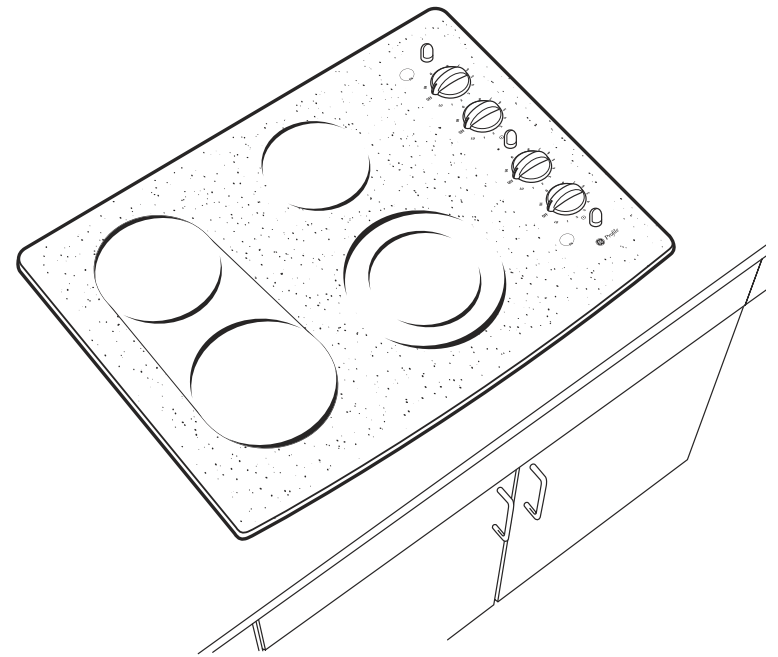
220555

JP930TK/KK/BK

GE Profile™ 30" Built-In CleanDesign Electric Cooktop

Features and Benefits

- Ceramic glass cooktop - A smooth cooktop surface makes cleaning quick and easy
- Ribbon heating elements - Provide powerful heat beneath a smooth glass surface to ensure even heat and fast warm-up times
- Bridge element - Combines three cooktop elements into one large cooking area, ideal for oversized cooking pans
- Dual size ribbon element - Offers a convenient choice of using a 6" or 9" heating element, depending on the size of the pan
- Frameless design - A smooth and seamless cooktop surface makes cleaning quick and easy
- Hot surface indicator lights - Illuminate when the cooking surface is active and hot, adding convenience and safe caution
- Control lock capability - Provides the ability to lock the cooktop's controls, helping protect from unintended activation
- Heating element "On" light - Illuminates when the cooking surface is activated
- Model JP930TKWW - True white
- Model JP930KKCC - True bisque
- Model JP930BKBB - Black on black



imagination at work