

ADT521PGF

GE Artistry™ Series Dishwasher with Top Controls

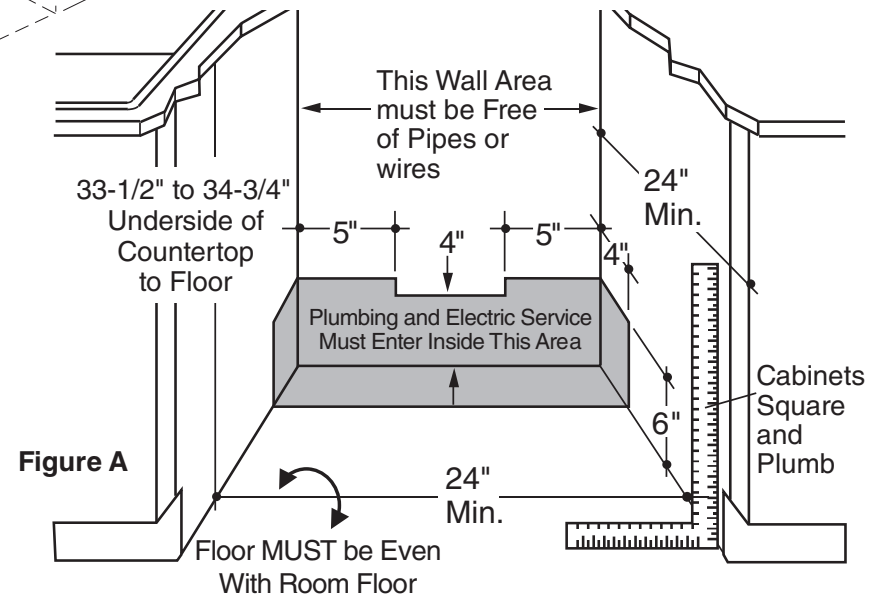
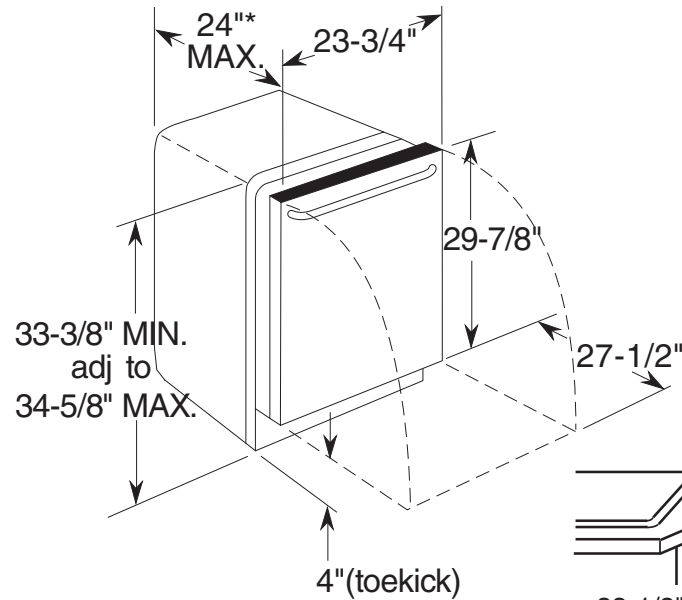
Dimensions and Installation Information (in inches)

Electrical Rating

Voltage AC.....	120
Hertz.....	60
Total connected load amperage.....	7.1
Calrod® heater watts.....	415/800

For use on adequately wired 120-volt, 15-amp circuit having 2-wire service with a separate ground wire. This appliance must be grounded for safe operation.

Installation Information: Before installing, consult installation instructions packed with product for current dimensional data.



For answers to your Monogram® Cafe™ Series, Profile™ Series or GE® appliance questions, visit our website at geappliances.com or call GE Answer Center® service, 800.626.2000.



Listed by Underwriters Laboratories



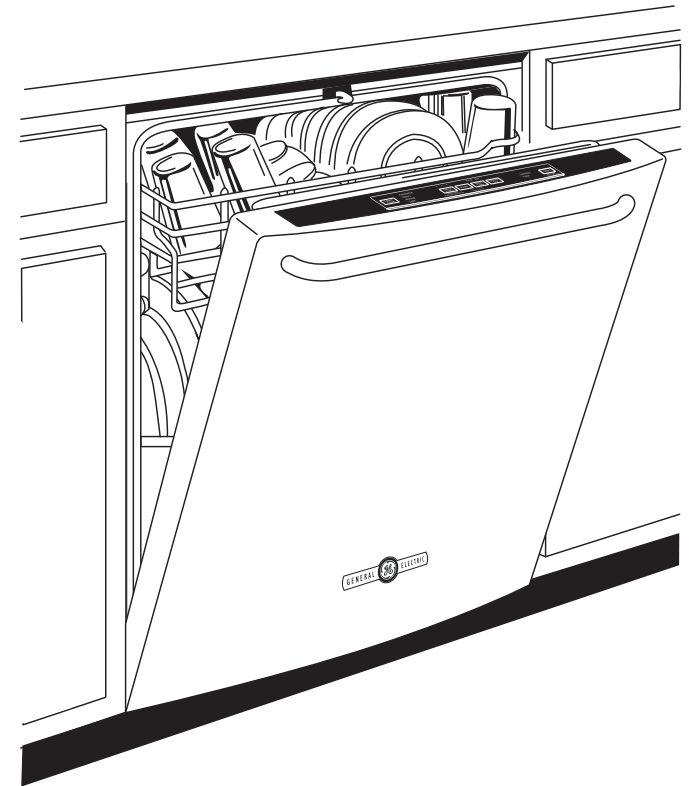
As an ENERGY STAR® partner, GE has determined that this product meets the ENERGY STAR guidelines for energy efficiency.

ADT521PGF

GE Artistry™ Series Dishwasher with Top Controls

Features and Benefits

- GE's most advanced wash system - Consistently clean and dry dishes are ensured with GE's most advanced wash system, featuring 65% more wash power.*
- *Wash power delivered to each rack. Compared to previous GE models.
- Piranha™ Hard Food Disposer with Removable Filter - To ensure consistently clean items, this stainless steel blade rotates at 3,600 RPM to pulverize food particles and helps to prevent large particles from clogging the wash arms
- Steam PreWash - Loosens tough soils before any cycle virtually eliminating the need for soaking or pre-rinsing dishes
- Sanitize option (NSF Residential) - High-temperature rinse sanitizes and reduces 99.99% of bacteria found on dishes
- SpaceMaker® Silverware Basket - Enjoy table-ready silverware and loading flexibility with this unique basket that can be placed on the rack or onto the door
- Pearlescent dark gray racks with ball tip tines - Offer durability and secure dishes
- 2/4/8-Hour Delay Start - Wash dishes at your convenience
- Model ADT521PGFWS - White
- Model ADT521PGFBS - Black



imagination at work