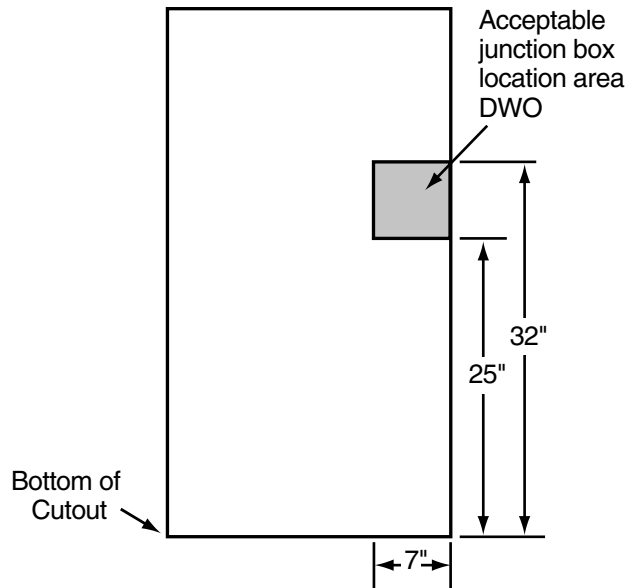
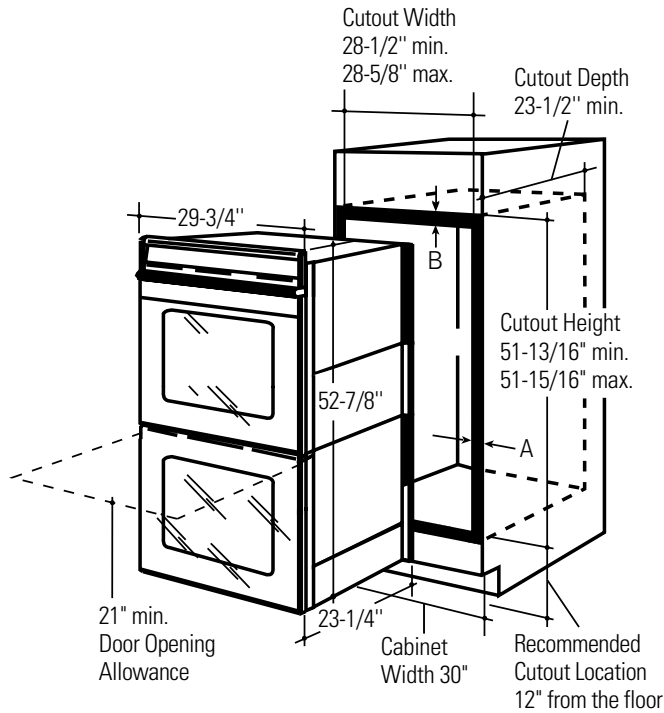




Monogram®

ZET3058SH/WH/BH – GE Monogram 30" Built-In Double Oven with Trivection™ Technology

Dimensions (in inches)



Note: Most 30" wall cabinets can be used with this unit. The opening between the inside walls must be at least 28-1/2" wide.

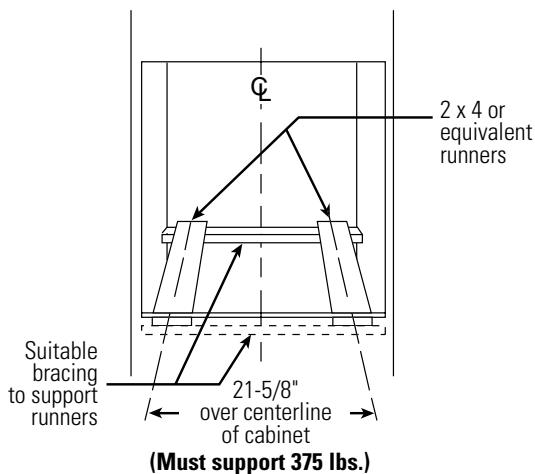
A = Allow 11/16" - 3/4" for overlap of oven over side edges of cutout.
B = Allow 1" overlap of oven over top and 1-1/4" overlap at the bottom edges of cutout.

| KW Rating | |
|--------------|---------|
| 240V | 8.9 |
| 208V | 6.7 |
| Breaker Size | |
| 240V | 40 Amps |
| 208V | 40 Amps |

Electric wall ovens are not approved for installation with a plug and receptacle. They must be hard wired in accordance with installation instructions.

Note: Cabinets installed adjacent to wall ovens must have an adhesion spec of at least a 194°F temperature rating.

Installation Information: Before installing, consult installation instructions packed with product for current dimensional data.



For answers to your Monogram®, GE Profile™ or GE® appliance questions, visit our website at GEAppliances.com or call GE Answer Center® service, 800.626.2000.

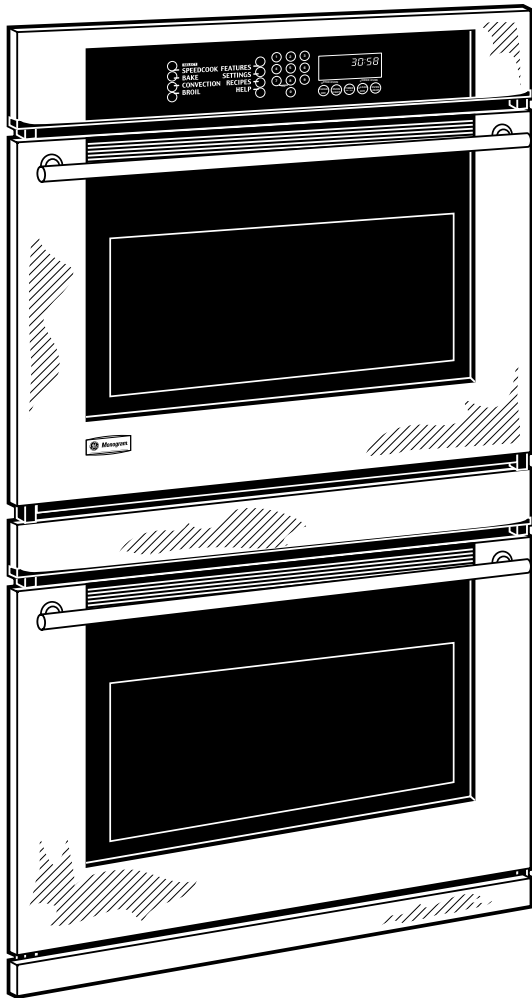
Specification Revised 6/04

130313



Monogram®

ZET3058SH/WH/BH – GE Monogram 30" Built-In Double Oven with Trivection™ Technology



Features and Benefits

- Trivection technology – Combines thermal, convection and microwave energies to produce quality food remarkably fast
- Sophisticated styling
- Cooking versatility
- Full-size oven capacity
- Glass touch electronic controls
- Halogen interior light
- Model ZET3058SHSS – Stainless steel
- Model ZET3058WHWW – White
- Model ZET3058BHBB – Black