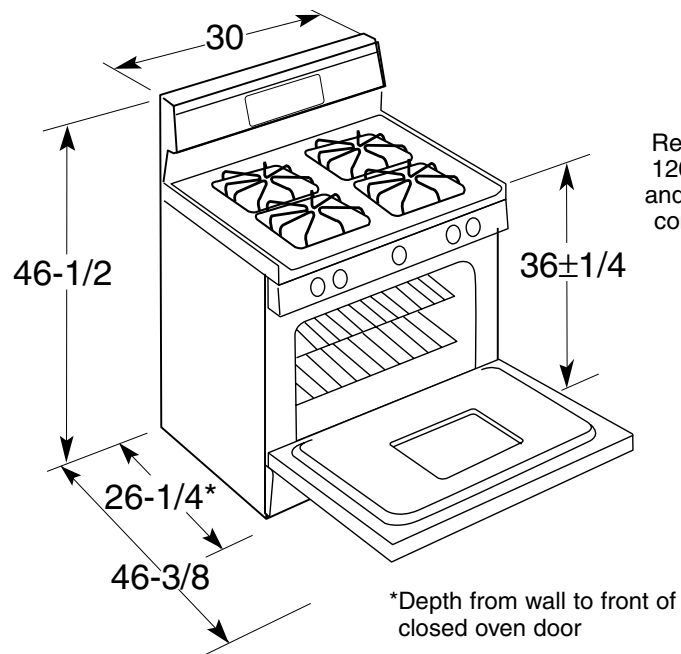


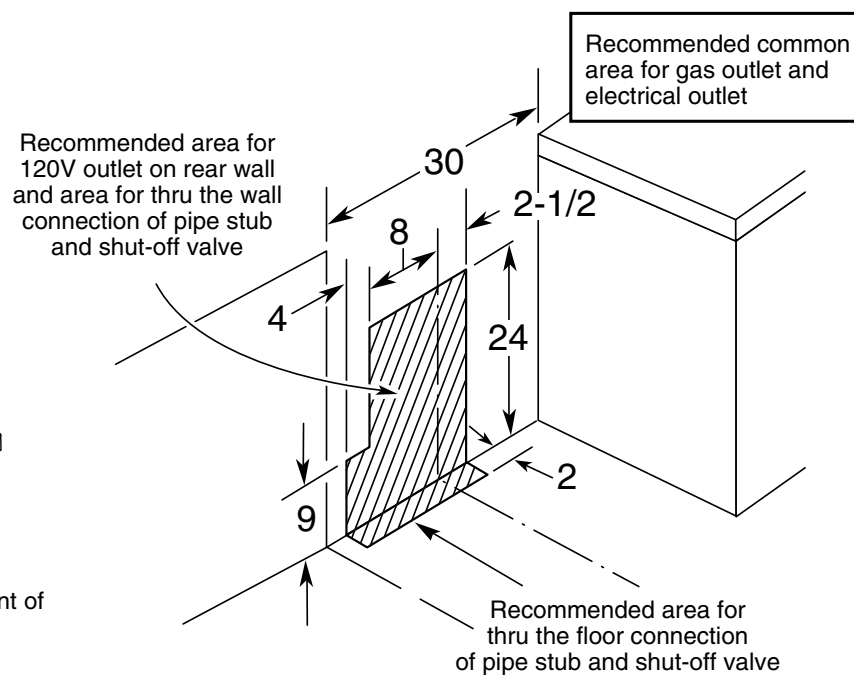
HOTPOINT®

RGB540SEH – Hotpoint 30" Free-Standing Gas Range

Dimensions (in inches)



30" Gas Range Installation Information (in inches)



Installation Information: Before installation, consult installation instructions packed with product for current dimensional data.

Optional gas range accessory drip pans:
(Available at additional cost)
To order these accessory drip pans, call toll-free 800-626-2002.

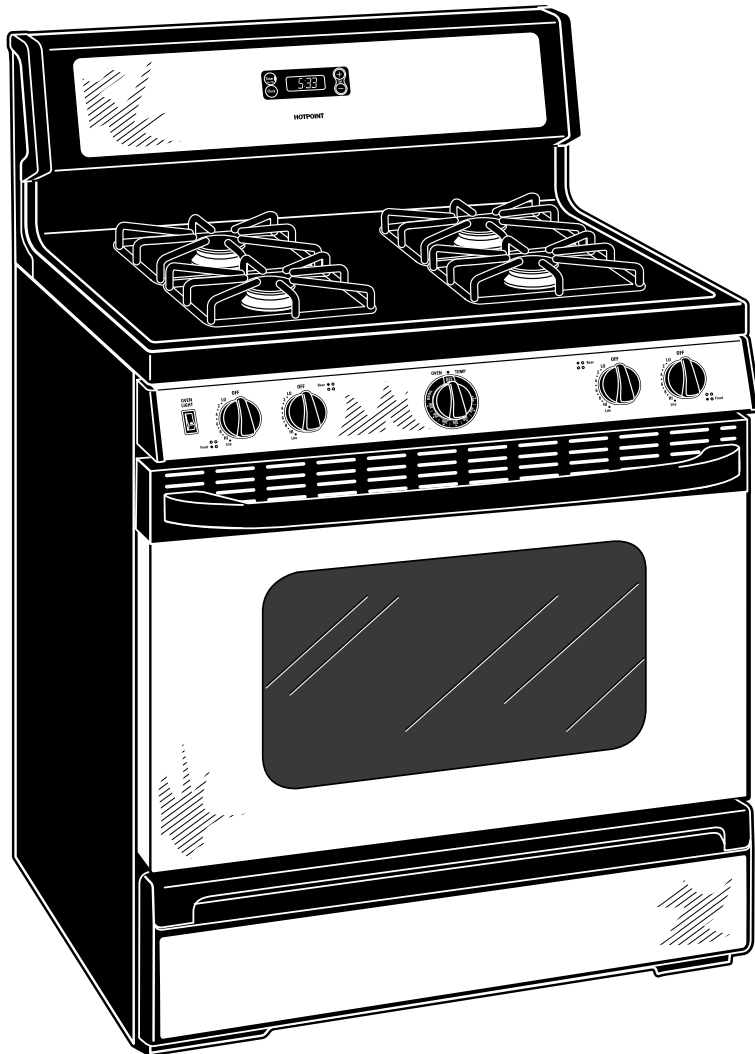


All Hotpoint ranges are equipped with an Anti-Tip device. The installation of this device is an important, required step in the installation of the range.



HOTPOINT®

RGB540SEH – Hotpoint 30" Free-Standing Gas Range



Features and Benefits

- Extra-Large Oven Capacity – Provides a large oven interior ideal for cooking more items at once.
- Sealed Cooktop Burners – Eliminate the space between the burners and the cooktop to help contain spills and boil over liquids, ensuring easy cleanup.
- Performance Plus Burner – Provides a maximum output of 12,000 BTUs for fast heat-up and boiling.
- Simmer Burner – Provides low, even heat distribution for delicate foods and sauces.
- All Purpose Burners – Deliver a wide range of heat output ideal for most cooking requirements.
- Electronic Clock and Timer – Features a convenient digital clock and easy-to-use timer with an audible signal to help coordinate cooking times in the kitchen.
- Standard Grates – Provide a sturdy and convenient cookware surface for everyday cooking.
- Model RGB540SEHSA – Silver metallic