

GTW860SSJ/SPJ

GE® 5.1 DOE cu. ft. capacity washer with stainless steel basket

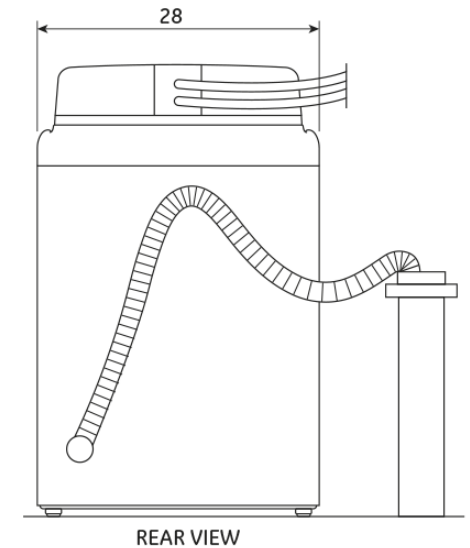
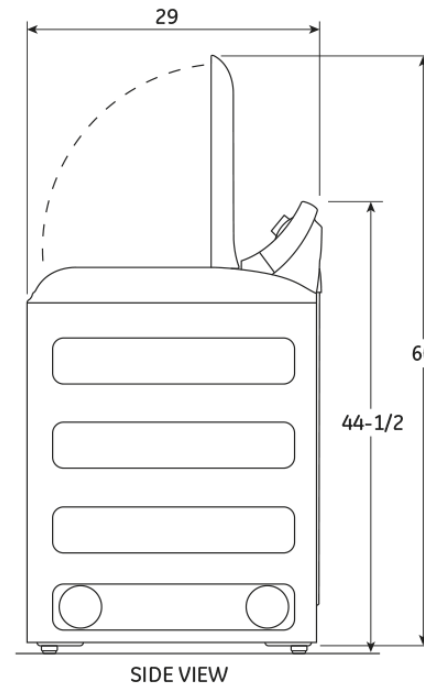
DIMENSIONS AND INSTALLATION INFORMATION (IN INCHES)

CIRCUIT REQUIREMENTS: An individual, properly-grounded branch circuit, with a three-prong grounding-type receptacle, protected by a 15 or 20 amp circuit breaker or a time-delay fuse, is required.

ELECTRICAL RATING: 120V, 60Hz, 10A

NOTE: Washer wall outlet must be located within 36" of service code entry. Wall outlet must not be located behind dryer.

INSTALLATION INFORMATION: Before installing, consult installation instructions packed with product for current dimensional data.



GE APPLIANCES

For answers to your Monogram, GE Café™ Series, GE Profile™ Series or GE® Series appliance questions, visit our website at geappliances.com or call GE Answer Center® service, 800.626.2000.



Listed by
Underwriters
Laboratories

Specification Revised 12/15

GTW860SSJ/SPJ

GE® 5.1 DOE cu. ft. capacity washer with stainless steel basket

FEATURES AND BENEFITS

WiFi Connect – Check washer progress from your smartphone with an app that lets you monitor cycles and settings, download custom specialty cycles and receive alerts when clothes haven't been removed

SmartDispense™ technology – The washer can hold about a two-month supply of detergent and fabric softener and automatically dispense the right amount for each load

Sanitize with Oxi – Remove 99.9% of bacteria with a dedicated cycle that uses an Oxi additive to boost your detergent's cleaning power, while keeping fabrics looking and feeling their best

Time Saver – An option that will reduce overall wash time on most cycles by at least 20% without sacrificing wash performance

Wash action waterfall – Loads receive thorough coverage with this waterfall that combines with a recirculation pump to move water and detergent through clothes

Stain Removal Guide – Clean 5 of the most common stains with preprogrammed settings that modify any cycle to help remove blood, tomato, wine, dirt and grass

Soft-close glass lid – Engineered with hydraulic suspension, so the lid always closes gently

LED washer basket light – Find every last sock with a bright LED light that effectively lights the wash basket

Clean Speak Communication System – Perfect drying performance is achievable thanks to the ability of the washer to communicate with the dryer to preset the dry cycle

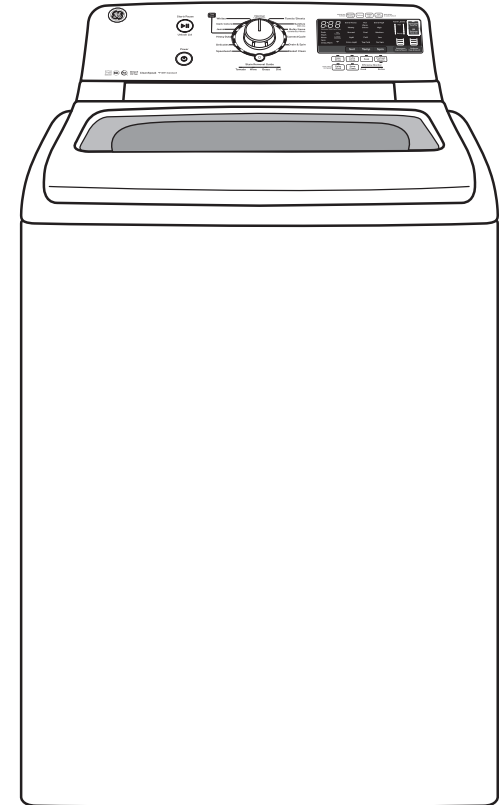
ENERGY STAR® qualified – Meets or exceeds federal guidelines for energy efficiency for year-round energy and money savings

Quietpack - Enjoy a powerful clean that you won't hear thanks to noise-dampening material that holds in sound for a quieter cycle

5.1 DOE cu. ft. capacity washer – Handles large-size items and family size loads

Model GTW860SSJWS – White

Model GTW860SPJMC – Metallic Carbon



Modified Energy Factor (iMEF)	2.76
Water Factor (iWF)	3.5



GE APPLIANCES

