

Installation Instructions

30" and 36" Vent Hood

PVW1030, PVW1036

If you have questions, call GE Appliances at 800.GE.CARES (800.432.2737)
or visit our website at: GEAppliances.com

BEFORE YOU BEGIN

Read these instructions carefully and completely.

- **IMPORTANT** – Save these instructions for local inspector's use.
- **IMPORTANT** – Observe all governing codes and ordinances.
- **Note to Installer** – Be sure to leave these instructions with Consumer.
- **Note to Consumer** – Keep these instructions for future reference.
- **Skill level** – Installation of this appliance requires a qualified installer or electrician.
- **Completion time** – Approximately 1 to 3 hours
- Proper installation is the responsibility of the installer.
- Product failure due to improper installation is not covered under Warranty.

▲ CAUTION

Due to the weight and size of these vent hoods and to reduce the risk of personal injury or damage to the product, **TWO PEOPLE ARE REQUIRED FOR PROPER INSTALLATION.**

▲ WARNING

To reduce the risk of fire or electrical shock, do not use this range hood with any external solid-state speed control device. Any such alteration from original factory wiring could result in damage to the unit and/or create an electrical safety hazard.

TO REDUCE THE RISK OF FIRE, USE ONLY METAL DUCTWORK.

▲ WARNING

TO REDUCE THE RISK OF FIRE, ELECTRICAL SHOCK OR INJURY TO PERSONS, OBSERVE THE FOLLOWING:

- A. Use this unit only in the manner intended by the manufacturer. If you have any questions, contact the manufacturer.
- B. Before servicing or cleaning the unit, switch the power off at the service panel and lock the service disconnecting means to prevent the power from being switched on accidentally. When the service disconnecting means cannot be locked, securely fasten a prominent warning device, such as a tag, to the service panel.

▲ CAUTION

FOR GENERAL VENTILATING USE ONLY. DO NOT USE TO EXHAUST HAZARDOUS MATERIALS, EXPLOSIVE MATERIALS OR VAPORS.

Safety Information

▲WARNING TO REDUCE THE RISK OF FIRE, ELECTRICAL SHOCK OR INJURY TO PERSONS, OBSERVE THE FOLLOWING:

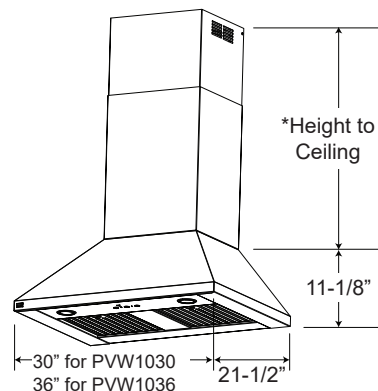
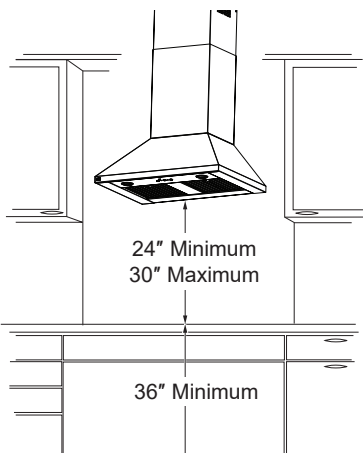
- Installation work and electrical wiring must be done by qualified person(s) in accordance with all applicable codes and standards, including fire-rated construction.
- Sufficient air is needed for proper combustion and exhausting of gases through the flue (chimney) of fuel burning equipment to prevent back-drafting. Follow the heating equipment manufacturer's guidelines and safety standards, such as those published by the National Fire Protection Association (NFPA), the American Society for Heating, Refrigeration and Air Conditioning Engineers (ASHRAE) and the local code authorities. When applicable, install any makeup (replacement) air system in accordance with local building code requirements. Visit GEAppliances.com for available makeup air solutions.
- When cutting or drilling into walls or ceilings, do not damage electrical wiring and other hidden utilities.
- Ducted systems must always be vented to the outdoors.
- Local codes vary. Installation of electrical connections and grounding must comply with applicable codes. In the absence of local codes, the vent should be installed in accordance with National Electrical Code ANSI/NFPA 70-1990 or latest edition.

▲CAUTION To reduce risk of fire and to properly exhaust air, be sure to duct air outside—do not vent exhaust air into spaces within walls or ceilings or into attics, crawl spaces or garages.

PRODUCT DIMENSIONS AND CLEARANCES

The vent hood must be installed 24" minimum, and 30" maximum above the cooking surface.

NOTE: Installation height should be measured from the cooking surface to the lowest part of the hood.



PX8DC1SWSS Duct Cover Accessory

This accessory is available for installations with ceiling heights above 9' to 10' and higher. See the table on page 8.

The duct cover accessory must be on-site with the hood at the time of installation.

READ AND SAVE THESE INSTRUCTIONS

Installation Preparation

DUCTWORK PLANNING

- This hood is designed to be vented vertically through the ceiling. Use locally supplied elbows to vent horizontally through the rear wall.
- Determine the exact location of the vent hood.
- Plan the route for venting exhaust to the outdoors.
- Use the shortest and straightest duct route possible. For satisfactory performance, duct run should not exceed 150' equivalent length for any duct configurations.
- Refer to "Duct Fittings" chart to compute the maximum permissible length for duct runs to the outdoors.
- Use rigid metal ductwork only.
- This vent hood must use a 8" round duct.
- Install the house duct to run horizontally between ceiling joists or straight up through the roof.
- Install a wall or roof cap with damper at the exterior opening. Order the wall or roof cap and any transition and length of duct needed in advance.
- When applicable, install any makeup (replacement) air system in accordance with local building code requirements. Visit GEAppliances.com for available makeup air solutions.

▲WARNING TO REDUCE THE RISK OF FIRE,
USE ONLY RIGID METAL DUCTWORK.

WALL FRAMING FOR ADEQUATE SUPPORT

- This vent hood is heavy. Adequate structural support must be provided. The hood must be secured to a vertical stud in the wall. See page 9 or 14.
- We strongly recommend that the vent hood with duct cover be on site before final framing and wall finishing. This will also help to accurately locate the ductwork and electrical service.
- Installation will be easier if the vent hood is installed before the cooktop and countertop are installed.

ADVANCE PLANNING

A duct cover accessory may be required for your hood installation depending on ceiling height.

Installation Preparation

POWER SUPPLY

IMPORTANT – (Please read carefully)

▲WARNING FOR PERSONAL SAFETY, THIS APPLIANCE MUST BE PROPERLY GROUNDED.

Remove house fuse or open circuit breaker before beginning installation.

Do not use an extension cord or adapter plug with this appliance. Follow National Electrical Code or prevailing local codes and ordinances.

Electrical supply

This vent hood must be supplied with 120V, 60Hz, and connected to an individual, properly grounded branch circuit, and protected by a 15- or 20-amp circuit breaker or time-delay fuse.

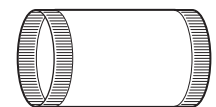
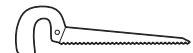
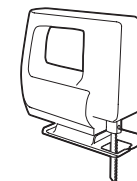
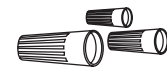
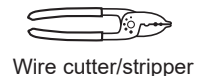
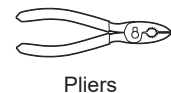
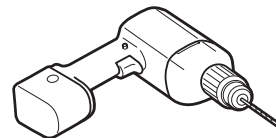
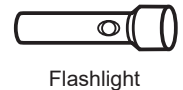
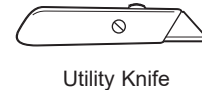
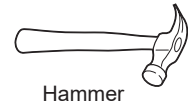
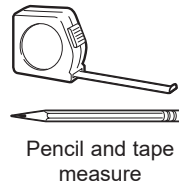
- Wiring must be 2-wire with ground.
- If the electrical supply does not meet the above requirements, call a licensed electrician before proceeding.
- Route house wiring as close to the installation location as possible. Wiring can enter from the ceiling or rear wall. Route additional length from the ceiling or wall to reach the junction box.
- Connect the wiring to the house wiring in accordance with local codes.

Grounding instructions

The grounding conductor must be connected to a ground metal, permanent wiring system, or an equipment-grounding terminal or lead on the hood.

▲WARNING The improper connection of the equipment-grounding conductor can result in a risk of electric shock. Check with a qualified electrician or service representative if you are in doubt whether the appliance is properly grounded.

TOOLS AND MATERIALS REQUIRED (Not Supplied)



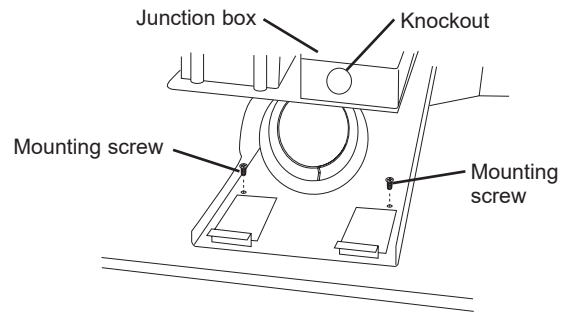
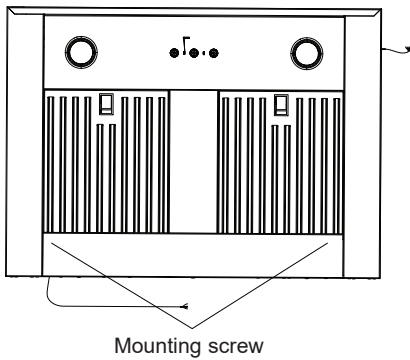
120V 60Hz. 15- or 20-Amp, 2-wire with ground, properly grounded branch circuit

Installation Preparation

REMOVE THE PACKAGING

CAUTION Wear gloves to protect against sharp edges.

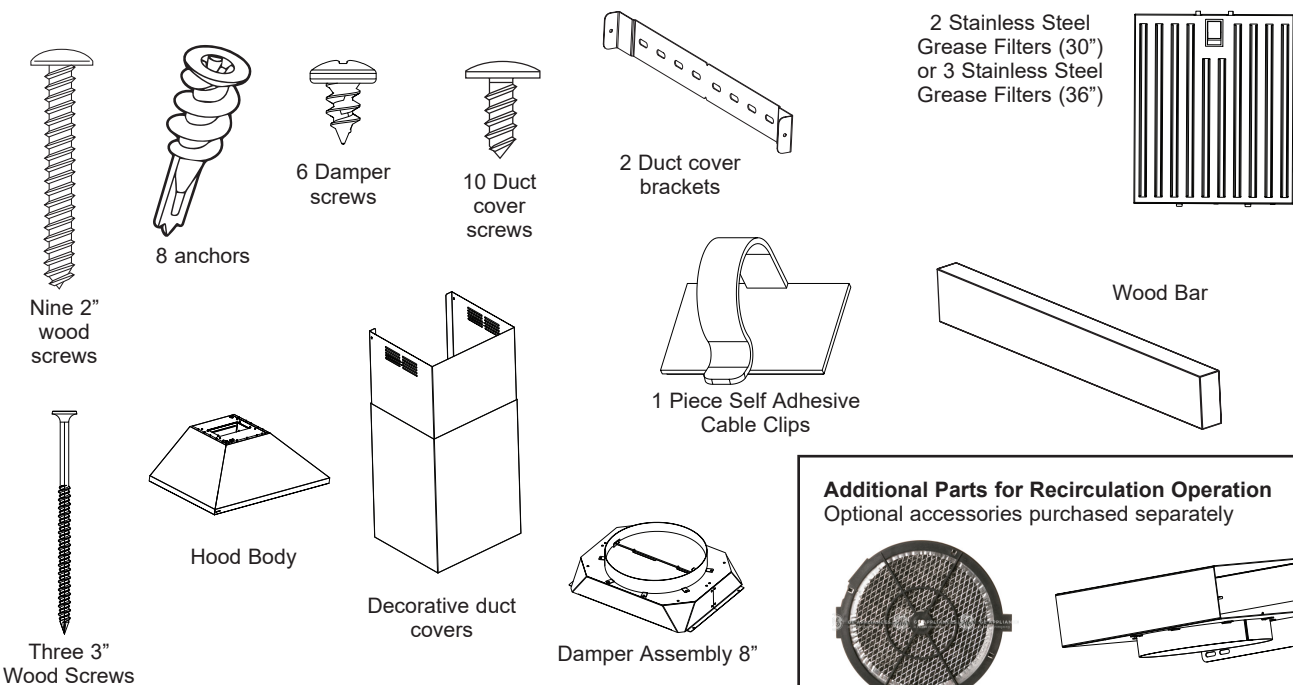
- Remove the duct cover, parts box and foam packaging.
- Lift the hood out of the box.
- Remove and properly discard the plastic wrapping.
- Remove metal grease filters and side bar packaging.



- Remove junction box cover.
- Remove knockout from junction box.
- Install strain relief onto junction box.

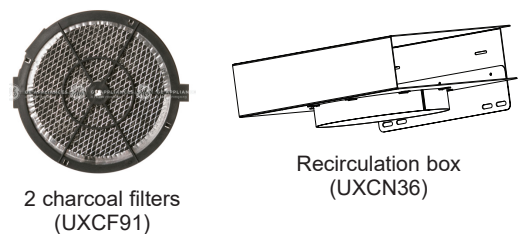
CHECK INSTALLATION HARDWARE

Locate the hardware accessory box packed with the hood and check contents.



Additional Parts for Recirculation Operation

Optional accessories purchased separately



NOTE: Additional tools, materials and hardware are required to construct your wall framing support.

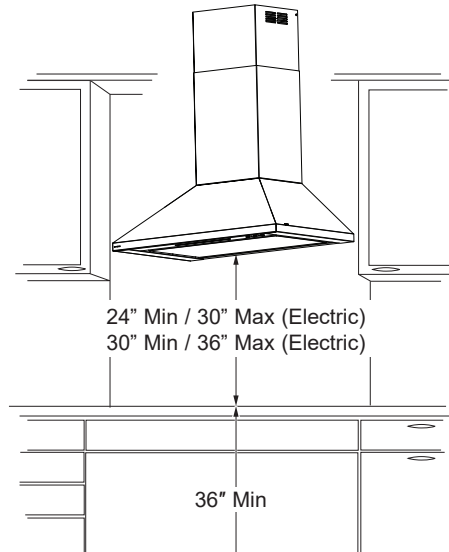
Installation Preparation

DETERMINE INSTALLATION HEIGHT

- A 10' ceiling height telescopic duct cover accessory is included to conceal the ductwork running to the ceiling. 8', 12', or 14' ceiling heights can be accommodated with the optional accessories.
- This hood can be installed for vented or recirculating (36" width model only) operation.

NOTE: Installation height should be measured from the cooking surface to the bottom of the hood.

The vent hood must be installed above the cooking surface 24" min to 30" max for electric and 30" min to 36" max for gas. The hood installation height, from the cooking surface to the bottom of the hood, also depends upon ceiling height and duct cover limitations.



Installation Preparation

Included Accessory				
High Ceiling Duct Cover up to 10 ft				
Upper		Lower		
25.56"H x 13.67"W x 11.83"D		19.50"H x 13.81"W x 11.94"D		
Installation over Electric Range		Installation over Gas Range		
Ceiling Height (ft./in.)	Vented Installation Height	Recirc Installation Height	Vented Installation Height	Recirc Installation Height
7' 7"	24			
7' 8"	24 - 25			
7' 9"	24 - 26			
7' 10"	24 - 27			
7' 11"	24 - 28			
8' 0"	24 - 29			
8' 1"	24 - 30	24		
8' 2"	24 - 31	24 - 25		
8' 3"	24 - 32	24 - 26	30	
8' 4"	24 - 33	24 - 27	30 - 31	
8' 5"	24 - 34	24 - 28	30 - 32	
8' 6"	24 - 35	24 - 29	30 - 33	
8' 7"		24 - 30	30 - 34	
8' 8"		24 - 31	30 - 35	
8' 9"		24 - 32		30
8' 10"		24 - 33		30 - 31
8' 11"		24 - 34		30 - 32
9' 0"	24 - 36	24 - 35		30 - 33
9' 1"				30 - 34
9' 2"				30 - 35
9' 3"				
9' 4"				
9' 5"		24 - 36	30 - 36	
9' 6"	25 - 36			
9' 7"	26 - 36			
9' 8"	27 - 36			
9' 9"	28 - 26	25 - 36		30 - 36
9' 10"	29 - 36	26 - 36		
9' 11"	30 - 36	27 - 36		
10' 0"	31 - 36	28 - 26		
10' 1"	32 - 36	29 - 36		
10' 2"	33 - 36	30 - 36	31 - 36	
10' 3"	34 - 36	31 - 36	32 - 36	
10' 4"	35 - 36	32 - 36	33 - 36	
10' 5"	36	33 - 36	34 - 36	31 - 36
10' 6"		34 - 36	35 - 36	32 - 36
10' 7"		35 - 36	36	33 - 36
10' 8"		36		34 - 36
10' 9"				35 - 36
10' 10"				36

Optional Accessory PX8DC1SWSS				
High Ceiling Duct Cover up to 8 ft				
Upper		Lower		
22.06"H x 13.67"W x 11.83"D		16.00"H x 13.81"W x 11.94"D		
Installation over Electric Range		Installation over Gas Range		
Ceiling Height (ft./in.)	Vented Installation Height	Recirc Installation Height	Vented Installation Height	Recirc Installation Height
7' 4"	24			
7' 5"	24 - 25			
7' 6"	24 - 26			
7' 7"	24 - 27			
7' 8"	24 - 28			
7' 9"	24 - 29			
7' 10"	24 - 30	24		
7' 11"	24 - 31	24 - 25		
8' 0"	24 - 32	24 - 26	30	
8' 1"	24 - 33	24 - 27	30 - 31	
8' 2"	24 - 34	24 - 28	30 - 32	
8' 3"	24 - 35	24 - 29	30 - 33	
8' 4"		24 - 30	30 - 34	
8' 5"		24 - 31	30 - 35	
8' 6"		24 - 32		30
8' 7"	24 - 36	24 - 33		30 - 31
8' 8"		24 - 34		30 - 32
8' 9"		24 - 35		30 - 33
8' 10"				30 - 34
8' 11"	25 - 36			30 - 35
9' 0"	26 - 36			
9' 1"	27 - 36			
9' 2"	28 - 26	25 - 36		30 - 36
9' 3"	29 - 36	26 - 36		
9' 4"	30 - 36	27 - 36		
9' 5"	31 - 36	28 - 26		
9' 6"	32 - 36	29 - 36		
9' 7"	33 - 36	30 - 36	31 - 36	
9' 8"	34 - 36	31 - 36	32 - 36	
9' 9"	35 - 36	32 - 36	33 - 36	
9' 10"	36	33 - 36	34 - 36	31 - 36
9' 11"		34 - 36	35 - 36	32 - 36
10' 0"		35 - 36	36	33 - 36
10' 1"		36		34 - 36
10' 2"				35 - 36
10' 3"				36

Installation Preparation

Optional Accessory PX12DC1SWSS				
High Ceiling Duct Cover up to 12 ft				
Upper			Lower	
34.56"H x 13.67"W x 11.83"D			28.44"H x 13.81"W x 11.94"D	
Installation over Electric Range			Installation over Gas Range	
Ceiling Height (ft./in.)	Vented Installation Height	Recirc Installation Height	Vented Installation Height	Recirc Installation Height
8' 4"	24			
8' 5"	24 - 25			
8' 6"	24 - 26			
8' 7"	24 - 27			
8' 8"	24 - 28			
8' 9"	24 - 29			
8' 10"	24 - 30	24		
8' 11"	24 - 31	24 - 25		
9' 0"	24 - 32	24 - 26	30	
9' 1"	24 - 33	24 - 27	30 - 31	
9' 2"	24 - 34	24 - 28	30 - 32	
9' 3"	24 - 35	24 - 29	30 - 33	
9' 4"	24 - 36	24 - 30	30 - 34	
9' 5"		24 - 31	30 - 35	
9' 6"		24 - 32		30
9' 7"		24 - 33		30 - 31
9' 8"		24 - 34		30 - 32
9' 9"		24 - 35		30 - 33
9' 10"				30 - 34
9' 11"				30 - 35
10' 0"				
10' 1"				
10' 2"				
10' 3"				
10' 4"				
10' 5"				
10' 6"		24 - 36	30 - 36	
10' 7"				
10' 8"				
10' 9"				
10' 10"				
10' 11"				30 - 36
11' 0"	25 - 36			
11' 1"	26 - 36			
11' 2"	27 - 36			
11' 3"	28 - 26	25 - 36		
11' 4"	29 - 36	26 - 36		
11' 5"	30 - 36	27 - 36		
11' 6"	31 - 36	28 - 26		
11' 7"	32 - 36	29 - 36		
11' 8"	33 - 36	30 - 36	31 - 36	
11' 9"	34 - 36	31 - 36	32 - 36	
11' 10"	35 - 36	32 - 36	33 - 36	
11' 11"	36	33 - 36	34 - 36	31 - 36
12' 0"		34 - 36	35 - 36	32 - 36
12' 1"		35 - 36	36	33 - 36
12' 2"		36		34 - 36
12' 3"				35 - 36
12' 4"				36

Optional Accessory PX14DC1SWSS				
High Ceiling Duct Cover up to 14 ft				
Upper			Lower	
46.56"H x 13.67"W x 11.83"D			40.5"H x 13.81"W x 11.94"D	
Installation over Electric Range			Installation over Gas Range	
Ceiling Height (ft./in.)	Vented Installation Height	Recirc Installation Height	Vented Installation Height	Recirc Installation Height
9' 4"	24			
9' 5"	24 - 25			
9' 6"	24 - 26			
9' 7"	24 - 27			
9' 8"	24 - 28			
9' 9"	24 - 29			
9' 10"	24 - 30	24		
9' 11"	24 - 31	24 - 25		
10' 0"	24 - 32	24 - 26	30	
10' 1"	24 - 33	24 - 27	30 - 31	
10' 2"	24 - 34	24 - 28	30 - 32	
10' 3"	24 - 35	24 - 29	30 - 33	
10' 4"	24 - 36	24 - 30	30 - 34	
10' 5"		24 - 31	30 - 35	
10' 6"		24 - 32		30
10' 7"		24 - 33		30 - 31
10' 8"		24 - 34		30 - 32
10' 9"		24 - 35		30 - 33
10' 10"				30 - 34
10' 11"				30 - 35
11' 0"				
11' 1"				
11' 2"				
11' 3"				
11' 4"				
11' 5"				
11' 6"				
11' 7"				
11' 8"				
11' 9"				
11' 10"				
11' 11"				
12' 0"		24 - 36	30 - 36	
12' 1"				
12' 2"				
12' 3"				
12' 4"				
12' 5"				30 - 36
12' 6"				
12' 7"				
12' 8"				
12' 9"				
12' 10"				
12' 11"				
13' 0"	25 - 36			
13' 1"	26 - 36			
13' 2"	27 - 36			
13' 3"	28 - 26	25 - 36		
13' 4"	29 - 36	26 - 36		
13' 5"	30 - 36	27 - 36		
13' 6"	31 - 36	28 - 26		
13' 7"	32 - 36	29 - 36		
13' 8"	33 - 36	30 - 36	31 - 36	
13' 9"	34 - 36	31 - 36	32 - 36	
13' 10"	35 - 36	32 - 36	33 - 36	
13' 11"	36	33 - 36	34 - 36	31 - 36
14' 0"		34 - 36	35 - 36	32 - 36
14' 1"		35 - 36	36	33 - 36
14' 2"		36		34 - 36
14' 3"				35 - 36
14' 4"				36

Installation Preparation

DETERMINE HOOD, DUCTWORK AND WIRING LOCATIONS

- This hood can be installed onto the wall or underneath the soffit.
- For installing the hood to soffit, refer to page 12 for alternate mounting method.
- Measure desired distance from the bottom of the hood to the cooking surface, 24" minimum over electric range or 30" minimum over gas range and 36" recommended maximum.
- Use a level to draw the cooktop centerline location.
- Measure 8" up from the horizontal line indicating the bottom of the hood. Draw another horizontal line to indicate the bottom of the installation bar.
- Use a level to draw the cooktop or range centeline location.

For Ceiling Ducting:

- If venting out the ceiling, extend the centerline forward on the ceiling to the back wall.
 - Measure 6-1/4" from back wall to mark center point.
 - Cut 8" dia. duct hole from center point on the ceiling.

Venting Through a Soffit:

- Follow the same procedure for ceiling ducting to cut the hole through the top of the soffit.

House Wiring Location:

- The junction box is located inside the hood body on the left side. See Illustrations for hood knockout locations.

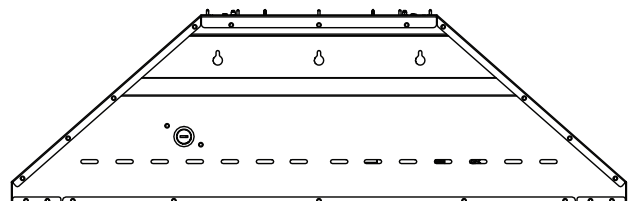
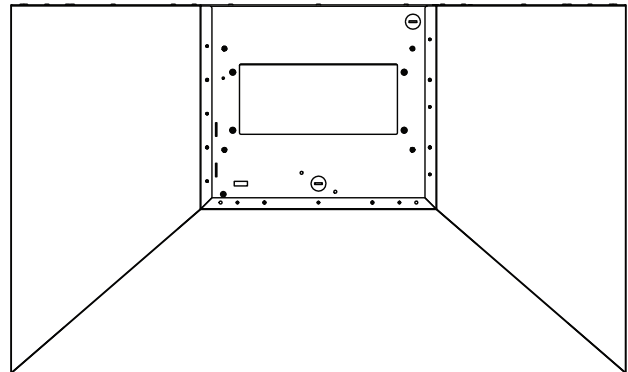
House wiring may enter the junction box from the rear or the top of the hood on the left side.

To route house wiring through the ceiling or soffit:

- The wiring can be routed through a knockout on the back right or front center.

To route house wiring through the wall:

- Measure 4" from the bottom of the hood and mark location
- Cut a hole approximately 1-1/4" dia. at the marked location at a distance 7-7/8" to the right of the centerline based on table below.
- Remove top or rear knockout depending on your installation.

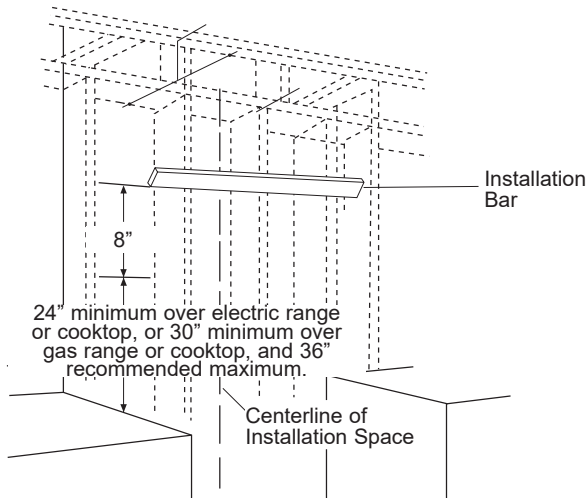


Installation

1 INSTALL HOOD SUPPORT

IMPORTANT: Framing must be capable of supporting 100 lbs.

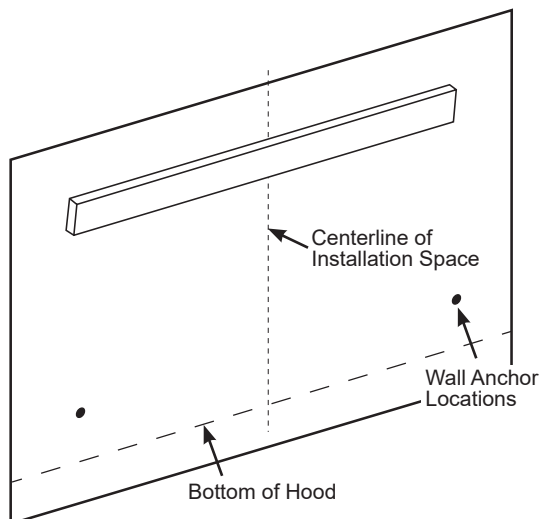
1. Locate a minimum of 1 vertical stud for the installation bar by tapping drywall with a hammer or use a stud finder.
2. Level the installation bar and center left to right above the marked line. Hold bar against the wall.



3. Drill 1/8" pilot holes at the 1 vertical stud locations through holes in the installation bracket. Secure the installation bar with supplied screws (A) as shown above.

Drill Bottom Mounting Hole Locations:

1. Hang hood on installation bar to mark anchor locations. Mark hole locations through the back of the hood.
2. If installing to the cabinet, hold the hood flush to the cabinet to mark screw hole locations
3. Remove the hood and drill 5/16" clearance holes centered at the marks you made.



1 INSTALL HOOD SUPPORT (Cont.)

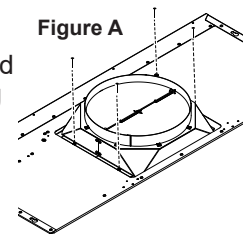
- Install wall anchors (C) by tapping the anchors with a hammer to seat the teeth of the flanges into the wall. This keeps anchor from rotating.
- Drive the anchor screws until the barrels crimp against the inside of the wall.
- Remove the screws from the wall anchors before installing the hood.

2 INSTALL DAMPER

IMPORTANT: Remove shipping tape from damper and check that damper moves freely.

Install Top Damper:

- Install the top damper to the hood body as shown in Figure A using screws (B) from top of hood.

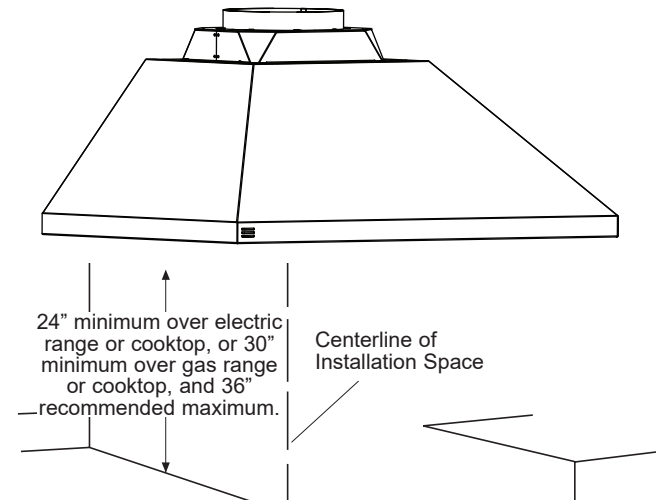


3 INSTALL HOOD ONTO WALL

CAUTION

2 people are required to lift and position the hood onto the mounting bracket.

- Pull house wiring through knockout at the back or top of the hood.
- Lift the hood and place over the hooks on the installation bar. Allow the hood to slide down into position.
- Check to be sure the hood is level and centered.
- Tighten wall anchor screws (C) to finish hood body installation to the wall.
- Remove cover from junction box inside the hood.



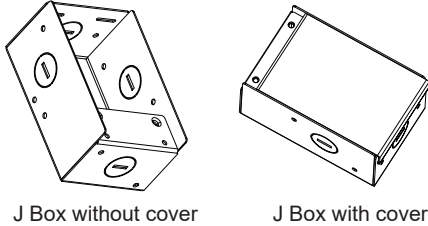
Installation

4 CONNECT ELECTRICAL

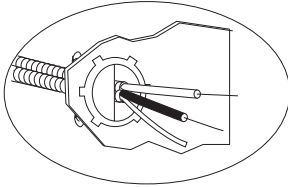
Verify that power is turned off at the source.

⚠ WARNING If house wiring is not 2-wire with a ground wire, a ground must be provided by the installer. When house wiring is aluminum, be sure to use UL approved anti-oxidant compound and aluminum-to-copper connectors.

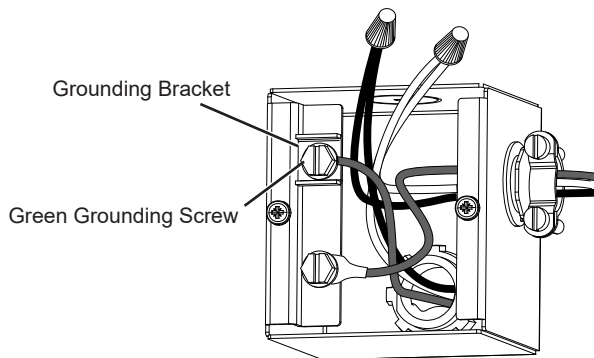
1. Remove junction box cover.



2. Pull the house wiring through the knockout at the top or back of the hood and secure with the strain relief.



3. Use UL listed wire nuts to connect incoming white to white, and black to black wires.
4. Loosen the green grounding screw (with grounding bracket) in the junction box. Loop solid copper house wire clockwise around the green grounding screw and above the bracket. Firmly tighten the screw over the loop.

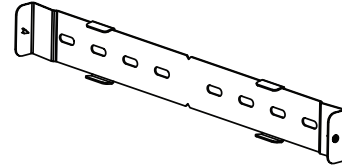


5. Replace junction box cover and ensure wires are not pinched.

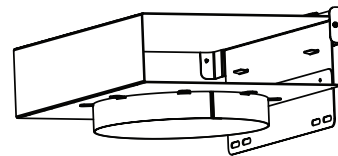
NOTE: For corded installation:
Use only with rangehood cord-connection kits that have been investigated and found acceptable for use with this model rangehood.

5 INSTALL RECIRCULATION BOX (IF APPLICABLE)

1. Install the top bracket where the upper portion of the cover stops using the provided anchors and wood screws, aligning the center notch with the existing drawn centerline. Make sure the bracket is level.

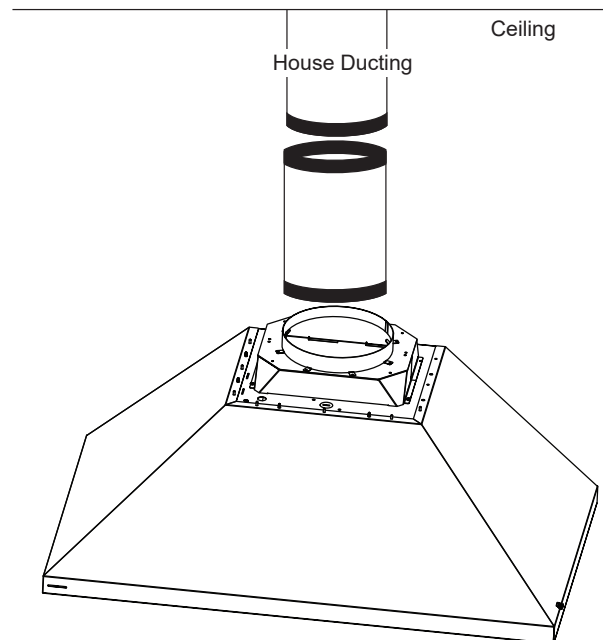


2. Using the tabs of the bracket, install the recirculation box on the tabs.



6 CONNECT DUCTWORK

1. Connect duct from the bottom of the recirculation box or connect the vented house ducting to the top of the damper as shown.
2. Seal all connections with duct tape.



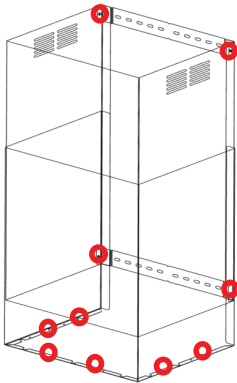
⚠ CAUTION Do not use sheet metal screws at the transition to ductwork connection. Doing so will prevent proper damper operations. Seal connection with tape only.

Installation

7 INSTALL DUCT COVERS

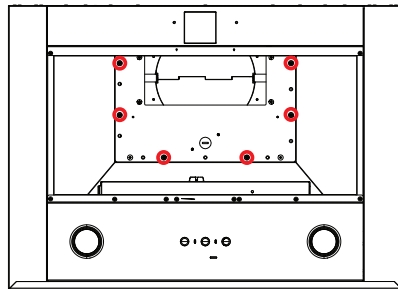
NOTES: Each duct cover bracket is 1.575" wide and has a notch at the center. The purpose of the slots is intended to allow one to use a stud if available along with a wall anchor.

1. Install the top bracket where the upper portion of the cover stops using the provided anchors and wood screws, aligning the center notch with the existing drawn centerline. Make sure the bracket is level.
2. Depending on what length of duct cover is used, draw a level horizontal line located at the bottom of the top cover. (See page 7 for the upper cover height.) Align the bottom edge of the lower bracket with the line and the center notch with the centerline and mount the bracket with the screws and anchors.
3. Orient the upper duct cover based on the respective venting configuration (louvers up for recirculate and down for vented). Secure the upper cover to the brackets with the provided machine screws.
4. Install the lower cover by wrapping it around the lower cover and then securing it with six machine screws from underneath the top of the hood to the bottom flange.



Duct Cover Assembly

Decorative machine screw attachment locations are circled.

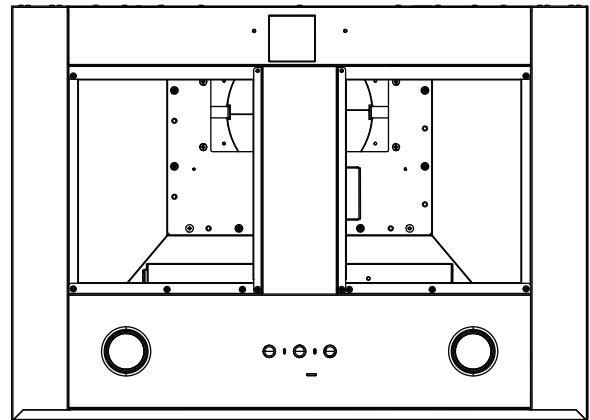
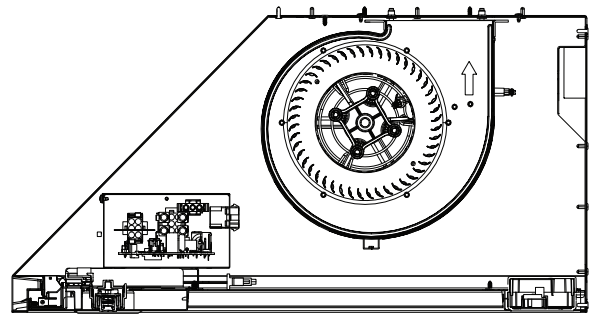


Bottom View

8 INSTALL BLOWER

NOTES: The blower has four through holes for securing by machine screws to the hood body; two of which are key holes.

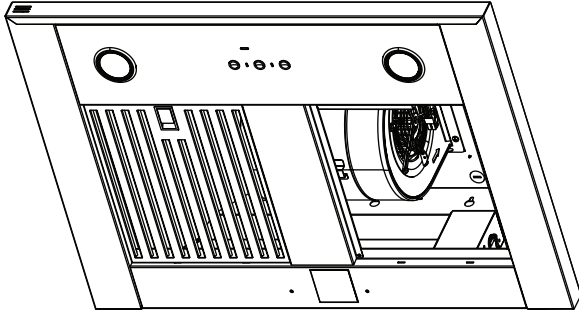
1. For the 30", the center decorative trim piece will need to be removed.
2. Noting which holes are key holes, pre-install the relevant screws to the body.
3. Install the blower by inserting and sliding the keyholes over the screws.
4. Install the remaining screws through the regular holes of the blower to the hood body.
5. Tighten all screws.
6. Install the blower wire harness connector to the control box connector.
7. For the 30" reinstall the decorative trim piece.



Installation

9 INSTALL GREASE FILTERS

1. Remove protective film.
2. Insert the two back tabs of each filter into the back edge of the hood body.
3. Push the button on the latch to open the latch.
4. Install the front edge of the filter into the front edge of the hood body.
5. Release the latch, making sure it is fully engaged by hearing a click of the latch and the button is fully released.



Charcoal Filter (for recirculation installation only)

NOTE: DO NOT rinse, or put charcoal filter in an automatic dishwasher.

The charcoal filter is **NOT** included with the unit. Order charcoal filter UXCF91. It cannot be cleaned; it must be replaced. It is recommended that the charcoal filter be replaced every 6 months or if it is noticeably dirty or discolored.

To reduce the risk of fire and shock, when used in recirculation mode, use only charcoal filter UXCF91.

To inquire about purchasing replacement charcoal filters or to find the location of a dealer nearest you, please call our toll-free number:

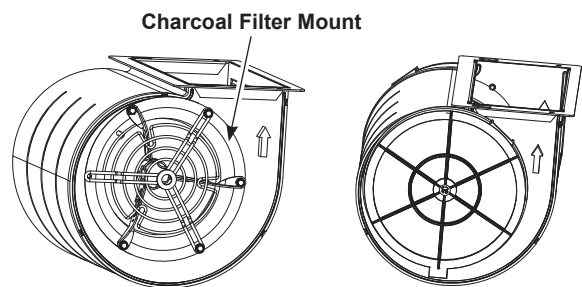
National Parts Center 800.626.2002

To Install

1. Remove the grease filters. See Filters section.
2. Install the charcoal filter mounts to either side of the motor using three screws per side.
3. Insert the tab on the charcoal filter into the triangular slot on the mount.
4. Clip the charcoal filter in until it is locked
5. Repeat with second filter on the other side of the motor.
6. Reattach the metal filters. See Filters section.

To Remove

1. Remove grease filters-See Filters section
2. Unclip the charcoal filter by pressing the release clip.
3. Carefully remove charcoal filter from tab.



Installation

MAKE UP AIR TECHNOLOGY

This operation must be performed by a qualified technician or installer.

Note to Installers and Inspectors: This product comes equipped with a simple installation feature that limits maximum CFM levels in order to comply with certain local codes or regulations. This installation method may not be necessary for all installations, please refer to your local codes for further guidelines.

This makeup air feature applies to single motor models only.

⚠ CAUTION

Hood must be disconnected from main power prior performing the conversion instructions listed below. Failure to do so could result in personal injury or damage to the product.

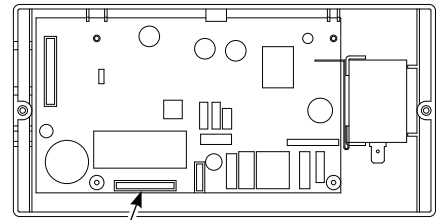
To modify unit (if needed for local codes):

390CFM

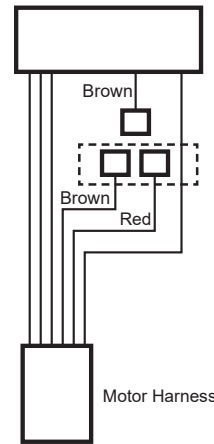
By design, the maximum blower speed is greater than 400 CFM. For local codes requiring reduced CFM, modify the wiring as described below:

1. Remove the Baffle filters.
2. Disconnect all the harnesses from the top of control box on right side of motor
3. Loosen the screws on top of control box and slide out to remove it from the hood
4. Uninstall the control box cover
5. For a maximum of 390 CFM Unit can operate with 4 speeds (Low, Medium, High, Boost).
 - i. Disconnect connectors of the **BROWN** wire.
 - ii. Remove the cap attached to the connector of the **RED** wire.
 - iii. Connect the mating connector of the **BROWN** wire and the **RED** wire.
 - iv. Attach the cap to the open **BROWN** wire connector.
6. Reinstall control box cover and secure control box to the bracket in the hood using the two screws
7. Connect all harnesses on top of the control box
8. Reinstall filters.

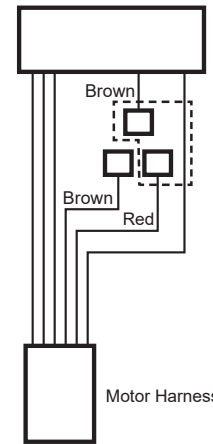
Note to Inspectors: To verify this product installation, check motor wiring connections as described above.



Motor Harness Connector



Factory Installed Wiring Setup



Max 390 CFM Boost Wiring Setup

Instrucciones de instalación

30" and 36"
Vent Hood

PVW1030, PVW1036

? Ante cualquier duda, llame a GE Appliances al 800.GE.CARES (800.432.2737) o visite nuestro sitio Web en: GEAppliances.com

ANTES DE COMENZAR

Lea estas instrucciones por completo y con detenimiento.

- **IMPORTANTE** – Guarde estas instrucciones para el uso de inspectores locales.
- **IMPORTANTE** – Cumpla con todos los códigos y ordenanzas vigentes.
- **Nota al instalador** – Asegúrese de dejar estas instrucciones con el Consumidor.
- **Nota al consumidor** – Conserve estas instrucciones para referencia futura.
- **Nivel de capacidad** – La instalación de esta campana de ventilación requiere capacidades mecánicas y eléctricas básicas..
- **Tiempo de finalización** – Aproximadamente de 1 a 3 horas.
- El instalador tiene la responsabilidad de efectuar una instalación adecuada.
- La Garantía no cubre las fallas del producto debido a una instalación incorrecta.

⚠ PRECAUCIÓN

Debido al peso y tamaño de estas campanas de ventilación y para reducir el riesgo de lesiones personales o daños al producto, **SE NECESITAN DOS PERSONAS PARA REALIZAR UNA INSTALACIÓN CORRECTA.**

⚠ PRECAUCIÓN

Debido al peso y tamaño de estas campanas de ventilación y para reducir el riesgo de lesiones personales o daños al producto, **SE NECESITAN DOS PERSONAS PARA REALIZAR UNA INSTALACIÓN CORRECTA.**

⚠ ADVERTENCIA

Para reducir el riesgo de incendio o descarga eléctrica, no utilice esta campana para estufa con ningún dispositivo de control de velocidad externo de estado sólido. Cualquier clase de modificación del cableado original de fábrica podría provocar daños a la unidad y/o crear un peligro de seguridad eléctrico.

PARA REDUCIR EL RIESGO DE INCENDIO, SÓLO UTILICE CONDUCTOS DE METAL.

⚠ ADVERTENCIA

PARA REDUCIR EL RIESGO DE INCENDIO, DESCARGA ELÉCTRICA O LESIONES A PERSONAS, CUMPLA CON LOS SIGUIENTES PUNTOS:

- Utilice esta unidad sólo de la manera concebida por el fabricante. Si tiene alguna pregunta, comuníquese con el fabricante.
- Antes de realizar reparaciones o limpiar la unidad, desconecte la energía del panel de servicio y bloquee los medios de desconexión para evitar el accionamiento de la energía de manera accidental. Cuando los medios de desconexión de servicio no pueden bloquearse, coloque sobre el panel de servicio un dispositivo de advertencia bien visible, como una etiqueta.

⚠ PRECAUCIÓN

SÓLO PARA USO DE VENTILACIÓN GENERAL. NO LO UTILICE PARA VENTILAR MATERIALES PELIGROSOS NI MATERIALES O VAPORES EXPLOSIVOS.

Safety Information

⚠️ ADVERTENCIA PARA REDUCIR EL RIESGO DE INCENDIO, DESCARGA ELÉCTRICA O LESIONES A PERSONAS, CUMPLA CON LOS SIGUIENTES PUNTOS:

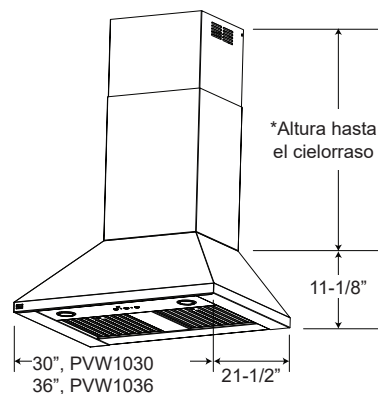
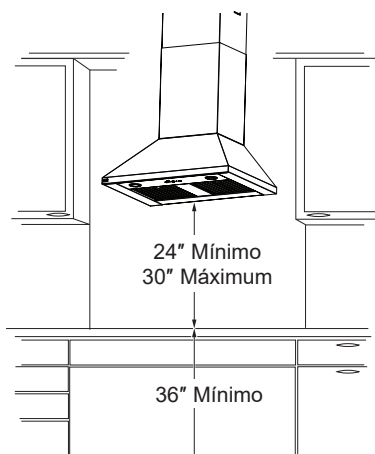
- El trabajo de instalación y el cableado eléctrico deben realizarlo personas calificadas en cumplimiento con todos los códigos y normas aplicables, incluyendo construcción con clasificación para incendios.
- Se necesita suficiente aire para una combustión y escape de gases adecuados a través de la ventilación (chimenea) de equipamiento de combustión de combustible para evitar la contracorriente. Siga las pautas y normas de seguridad de fabricante del equipamiento de calefacción, tales como las publicadas por la Asociación Nacional de Protección contra Incendios (NFPA), la Sociedad Estadounidense de Ingenieros en Calefacción, Refrigeración y Aire Acondicionado (ASHRAE) y las autoridades de códigos locales. Cuando corresponda, instale un sistema de reposición (reemplazo) de aire de acuerdo con los requisitos del código local de construcción. Para acceder a soluciones de aire disponibles, visite **GEAppliances.com**.
- Cuando realice cortes o perforaciones dentro de paredes o cielorrasos, no dañe el cableado eléctrico ni otros servicios públicos ocultos.
- Los sistemas de conductos siempre deben contar con una salida al exterior.
- Los códigos locales pueden variar. La instalación de conexiones eléctricas y a tierra debe cumplir con los códigos aplicables. Si no existieran códigos locales, la ventilación deberá instalarse en cumplimiento con el Código Eléctrico Nacional ANSI/NFPA 70-1990 o la última edición.

⚠️ PRECAUCIÓN Para reducir el riesgo de incendio o para que el aire se ventile de manera adecuada, asegúrese de que el aire salga al exterior; no ventile aire de escape en espacios dentro de paredes o cielorrasos o dentro de áticos, huecos sanitarios o garajes.

DIMENSIONES Y MARJENS DEL PRODUCTO

La campana de ventilación debe instalarse a un mín. de 24" y un máx. de 30" sobre la superficie de cocción.

NOTA: La altura de instalación debe medirse desde la superficie de cocción hasta la parte más baja de la campana.



PX8DC1SWSS Accesorio de cubierta de conducto

Este accesorio se encuentra disponible para instalaciones con cielorrasos de una altura de 9' a 10' o más. Ver la tabla de la página 43.

El accesorio de cubierta de conducto debe encontrarse en el sitio con la campana en el momento de la instalación.

READ AND SAVE THESE INSTRUCTIONS

Preparación para la instalación

PLANIFICACIÓN DE LOS CONDUCTOS

- Esta campana está diseñada para ventilarse en forma vertical a través del cielorraso. Utilice codos suministrados en forma local para ventilación horizontal a través de la pared trasera.
- Determine la ubicación exacta de la campana de ventilación.
- Planifique el recorrido de la salida de ventilación hacia el exterior.
- Utilice el recorrido de conductos más corto y más recto posible. Para un desempeño satisfactorio, el recorrido de los conductos no debe superar una longitud equivalente a los 150' para ninguna configuración de conductos.
- Consulte la tabla "Accesorios de conductos" para calcular la longitud máxima permisible para recorridos de conductos hacia el exterior.
- Sólo use conductos de metal rígidos.
- Esta campana de ventilación debe utilizar un conducto redondo de 8".
- Instale el conducto doméstico para que corra en forma horizontal entre las vigas del cielorraso o en forma recta a través del techo.
- Instale una cubierta de pared o casquete de techo con un regulador de tiro en la abertura exterior. Solicite por adelantado la cubierta de pared o el casquete de techo y cualquier transición o longitud de conducto necesarios.
- Cuando corresponda, instale un sistema de reposición (reemplazo) de aire de acuerdo con los requisitos del código local de construcción. Para acceder a soluciones de aire disponibles, visite GEAppliances.com.

⚠ ADVERTENCIA PARA REDUCIR EL RIESGO DE INCENDIO, SÓLO UTILICE CONDUCTOS DE METAL RÍGIDOS.

ARMAZONES DE PARED PARA UN SOPORTE ADECUADO

- Esta campana de ventilación es pesada. Debe contarse con un soporte estructural adecuado. Esta campana debe fijarse a columnas verticales de la pared. Ver página 44 o 49.
- Recomendamos enfáticamente que la campana de ventilación con cubierta de conducto se encuentre en el lugar antes de colocar los armazones y efectuar el acabado de la pared. Esto también ayudará a ubicar con precisión los conductos y el servicio eléctrico.
- La instalación resultará más fácil si la campana de ventilación se instala antes que la estufa y el mostrador de encimera.

PLANIFICACIÓN PREVIA

Su instalación de campana puede necesitar un accesorio de cubierta de conductos dependiendo de la altura del cielorraso.

Preparación para la instalación

SUMINISTRO DE ENERGÍA

IMPORTANTE – (Tenga a bien leer cuidadosamente)

⚠ WARNING PARA SEGURIDAD PERSONAL, ESTE APARATO DEBE CONECTARSE A TIERRA DE MANERA ADECUADA.

Quite el fusible o abra el interruptor de circuitos antes de comenzar la instalación.

No utilice un cable de extensión o un enchufe adaptador con este artefacto. Siga el Código Eléctrico Nacional o los códigos y ordenanzas locales vigentes.

Suministro eléctrico

Esta campana de ventilación deben contar con un suministro de 120V, 60Hz, y debe estar conectada a un circuito derivado individual con una adecuada conexión a tierra y debe contar con la protección de un interruptor de circuito o un fusible con retraso de 15 o 20 amperios.

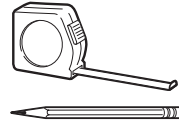
- El cableado debe ser de 2 hilos con conexión a tierra.
- Si el suministro eléctrico no cumple con los requisitos anteriores, llame a un electricista con licencia antes de continuar.
- Dirija el cableado doméstico lo más cercano a la instalación posible. El cableado puede ingresar desde el cielorraso o la pared trasera. Dirija la longitud adicional desde el cielorraso o la pared para alcanzar la caja de conexiones.
- Conecte el cableado al cableado doméstico en cumplimiento con los códigos locales.

Instrucciones de conexión a tierra

El conductor a tierra debe conectarse a un metal con conexión a tierra, un sistema de cableado permanente o una terminal o conductor de conexión a tierra en la campana.

⚠ ADVERTENCIA Una conexión inadecuada del conductor de conexión a tierra del equipamiento puede provocar un riesgo de descarga eléctrica. Consulte a un electricista calificado o representante de servicio técnico si tiene dudas sobre la correcta conexión a tierra del aparato.

HERRAMIENTAS Y MATERIALES REQUERIDOS (No Suministrados)



Lápiz y cinta métrica



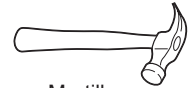
Gafas de seguridad



Guantes



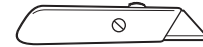
Nivel de burbuja de aire



Martillo



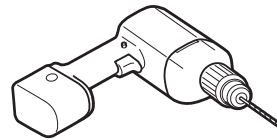
Destornillador de estrella



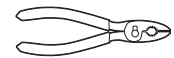
Cuchillo de uso general



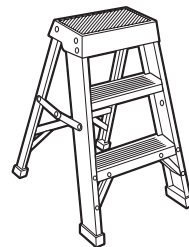
Linterna



Perforadora eléctrica con brocas de 1/8", de estrella N° 2 y cabeza plana y T20 torx extensión de destornillador de 6"



Alicates



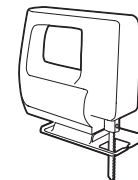
Escalera



Cinta adhesiva



Alicate pelacables



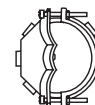
Sierra sable o serrucho de calar



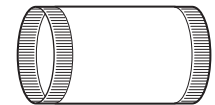
Tapones de alambre aprobados por UL



Cinta aislante de aluminio



Alivio de tensión para la caja de conexiones



Conducto de metal redondo de 8" longitud suficiente para la instalación



Cable de 120V, 60Hz, 15 o 20 amperios de 2 hilos con circuito derivado con conexión a tierra

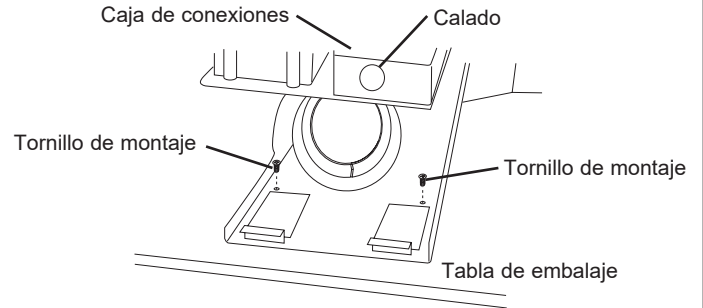
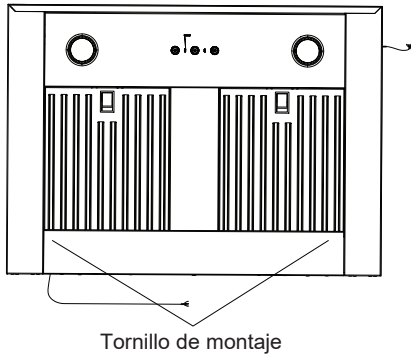
Preparación para la instalación

QUITE EL ENVOLTORIO

⚠ PRECAUCIÓN

Use guantes para protegerse de lados afilados.

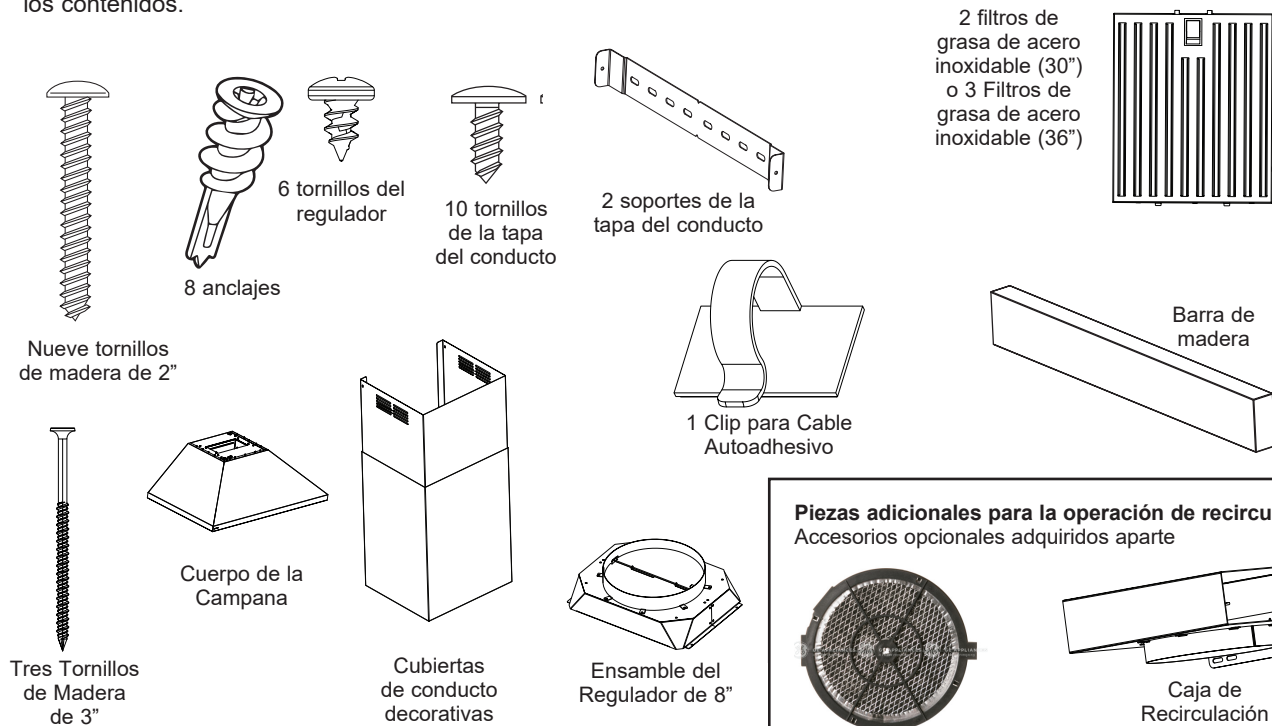
- Quite la cubierta de conductos, la caja de piezas y el embalaje de poliestireno.
- Levante y quite la campana de la caja.
- Quite y deseche adecuadamente el envoltorio plástico.
- Quite los filtros de grasa metálicos y el envoltorio de la barra lateral.



- Quite la tapa de la caja de conexiones.
- Quite el calado de la caja de conexiones.
- Instale el alivio de tensión en la caja de conexiones.

CONTROLE LAS PIEZAS DE INSTALACIÓN

Ubique la caja de piezas embalada con la campana y verifique los contenidos.



Piezas adicionales para la operación de recirculación. Accesorios opcionales adquiridos aparte

NOTA: Se necesitan herramientas, materiales y piezas de ferretería adicionales para construir el soporte de armazón de pared.

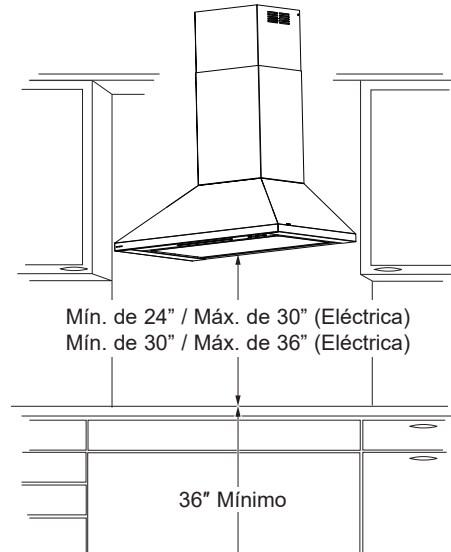
Preparación para la instalación

DETERMINE LA ALTURA DE INSTALACIÓN

- Se incluye una tapa de conducto telescópico para una altura de cielorraso de 10' para ocultar el conducto que circula hacia el cielorraso. Las alturas de cielorraso de 8', 12', o 14' se podrán acomodar con los accesorios opcionales.
- Esta campana se podrá instalar para un funcionamiento con ventilación o recirculación (modelo de 36" de ancho únicamente).

NOTA: La altura de la instalación se deberá medir desde la superficie de cocción hasta la parte inferior de la campana.

La campana de ventilación se deberá instalar por encima de la superficie de cocción a una altura mínima de 24" hasta una altura máxima de 30", y un mínimo de 30" hasta un máximo de 36" para el gas. La altura de instalación de la campana, desde la superficie de cocción hasta la parte inferior de la campana, depende de la altura del cielorraso y de las limitaciones de la tapa del conducto.



Preparación para la instalación

Accesorio Incluido				
Tapa del Conducto del Cielorraso Alto de hasta 10 pies				
Superior		Inferior		
25.56"H x 13.67"W x 11.83"D		19.50"H x 13.81"W x 11.94"D		
Instalación sobre Estufa Eléctrica		Instalación sobre Estufa a Gas		
Altura del Cielorraso (pies/ pulg.)	Altura de Instalación con Ventilación	Altura de Instalación con Recirculación	Altura de Instalación con Ventilación	Altura de Instalación con Recirculación
7' 7"	24			
7' 8"	24 - 25			
7' 9"	24 - 26			
7' 10"	24 - 27			
7' 11"	24 - 28			
8' 0"	24 - 29			
8' 1"	24 - 30	24		
8' 2"	24 - 31	24 - 25		
8' 3"	24 - 32	24 - 26	30	
8' 4"	24 - 33	24 - 27	30 - 31	
8' 5"	24 - 34	24 - 28	30 - 32	
8' 6"	24 - 35	24 - 29	30 - 33	
8' 7"		24 - 30	30 - 34	
8' 8"		24 - 31	30 - 35	
8' 9"		24 - 32		30
8' 10"		24 - 33		30 - 31
8' 11"		24 - 34		30 - 32
9' 0"	24 - 36	24 - 35		30 - 33
9' 1"				30 - 34
9' 2"				30 - 35
9' 3"				
9' 4"				
9' 5"		24 - 36	30 - 36	
9' 6"	25 - 36			
9' 7"	26 - 36			
9' 8"	27 - 36			
9' 9"	28 - 26	25 - 36		30 - 36
9' 10"	29 - 36	26 - 36		
9' 11"	30 - 36	27 - 36		
10' 0"	31 - 36	28 - 26		
10' 1"	32 - 36	29 - 36		
10' 2"	33 - 36	30 - 36	31 - 36	
10' 3"	34 - 36	31 - 36	32 - 36	
10' 4"	35 - 36	32 - 36	33 - 36	
10' 5"	36	33 - 36	34 - 36	31 - 36
10' 6"		34 - 36	35 - 36	32 - 36
10' 7"		35 - 36	36	33 - 36
10' 8"		36		34 - 36
10' 9"				35 - 36
10' 10"				36

Accesorio opcional PX8DC1SWSS				
Tapa del Conducto del Cielorraso Alto de hasta 8 pies				
Superior		Inferior		
22.06"H x 13.67"W x 11.83"D		16.00"H x 13.81"W x 11.94"D		
Instalación sobre Estufa Eléctrica		Instalación sobre Estufa a Gas		
Altura del Cielorraso (pies/ pulg.)	Altura de Instalación con Ventilación	Altura de Instalación con Recirculación	Altura de Instalación con Ventilación	Altura de Instalación con Recirculación
7' 4"	24			
7' 5"	24 - 25			
7' 6"	24 - 26			
7' 7"	24 - 27			
7' 8"	24 - 28			
7' 9"	24 - 29			
7' 10"	24 - 30	24		
7' 11"	24 - 31	24 - 25		
8' 0"	24 - 32	24 - 26	30	
8' 1"	24 - 33	24 - 27	30 - 31	
8' 2"	24 - 34	24 - 28	30 - 32	
8' 3"	24 - 35	24 - 29	30 - 33	
8' 4"		24 - 30	30 - 34	
8' 5"		24 - 31	30 - 35	
8' 6"		24 - 32		30
8' 7"	24 - 36	24 - 33		30 - 31
8' 8"		24 - 34		30 - 32
8' 9"		24 - 35		30 - 33
8' 10"				30 - 34
8' 11"	25 - 36			30 - 35
9' 0"	26 - 36	24 - 36	30 - 36	
9' 1"	27 - 36			
9' 2"	28 - 26	25 - 36		
9' 3"	29 - 36	26 - 36		
9' 4"	30 - 36	27 - 36		30 - 36
9' 5"	31 - 36	28 - 26		
9' 6"	32 - 36	29 - 36		
9' 7"	33 - 36	30 - 36	31 - 36	
9' 8"	34 - 36	31 - 36	32 - 36	
9' 9"	35 - 36	32 - 36	33 - 36	
9' 10"	36	33 - 36	34 - 36	31 - 36
9' 11"		34 - 36	35 - 36	32 - 36
10' 0"		35 - 36	36	33 - 36
10' 1"		36		34 - 36
10' 2"				35 - 36
10' 3"				36

Preparación para la instalación

Accesorio opcional PX12DC1SWSS				
Tapa del Conducto del Cielorraso Alto de hasta 12 pies				
Superior		Inferior		
34.56"H x 13.67"W x 11.83"D		28.44"H x 13.81"W x 11.94"D		
Instalación sobre Estufa Eléctrica		Instalación sobre Estufa a Gas		
Altura del Cielorraso (pies/ pulg.)	Altura de Instalación con Ventilación	Altura de Instalación con Recirculación	Altura de Instalación con Ventilación	Altura de Instalación con Recirculación
8' 4"	24			
8' 5"	24 - 25			
8' 6"	24 - 26			
8' 7"	24 - 27			
8' 8"	24 - 28			
8' 9"	24 - 29			
8' 10"	24 - 30	24		
8' 11"	24 - 31	24 - 25		
9' 0"	24 - 32	24 - 26	30	
9' 1"	24 - 33	24 - 27	30 - 31	
9' 2"	24 - 34	24 - 28	30 - 32	
9' 3"	24 - 35	24 - 29	30 - 33	
9' 4"		24 - 30	30 - 34	
9' 5"		24 - 31	30 - 35	
9' 6"		24 - 32		30
9' 7"		24 - 33		30 - 31
9' 8"		24 - 34		30 - 32
9' 9"		24 - 35		30 - 33
9' 10"				30 - 34
9' 11"				30 - 35
10' 0"				
10' 1"				
10' 2"	24 - 36			
10' 3"				
10' 4"				
10' 5"				
10' 6"		24 - 36	30 - 36	
10' 7"				
10' 8"				
10' 9"				
10' 10"				
10' 11"				30 - 36
11' 0"	25 - 36			
11' 1"	26 - 36			
11' 2"	27 - 36			
11' 3"	28 - 26	25 - 36		
11' 4"	29 - 36	26 - 36		
11' 5"	30 - 36	27 - 36		
11' 6"	31 - 36	28 - 26		
11' 7"	32 - 36	29 - 36		
11' 8"	33 - 36	30 - 36	31 - 36	
11' 9"	34 - 36	31 - 36	32 - 36	
11' 10"	35 - 36	32 - 36	33 - 36	
11' 11"	36	33 - 36	34 - 36	31 - 36
12' 0"		34 - 36	35 - 36	32 - 36
12' 1"		35 - 36	36	33 - 36
12' 2"		36		34 - 36
12' 3"				35 - 36
12' 4"				36

Accesorio opcional PX14DC1SWSS				
Tapa del Conducto del Cielorraso Alto de hasta 14 pies				
Superior		Inferior		
46.56"H x 13.67"W x 11.83"D		40.5"H x 13.81"W x 11.94"D		
Instalación sobre Estufa Eléctrica		Instalación sobre Estufa a Gas		
Altura del Cielorraso (pies/ pulg.)	Altura de Instalación con Ventilación	Altura de Instalación con Recirculación	Altura de Instalación con Ventilación	Altura de Instalación con Recirculación
9' 4"	24			
9' 5"	24 - 25			
9' 6"	24 - 26			
9' 7"	24 - 27			
9' 8"	24 - 28			
9' 9"	24 - 29			
9' 10"	24 - 30	24		
9' 11"	24 - 31	24 - 25		
10' 0"	24 - 32	24 - 26	30	
10' 1"	24 - 33	24 - 27	30 - 31	
10' 2"	24 - 34	24 - 28	30 - 32	
10' 3"	24 - 35	24 - 29	30 - 33	
10' 4"		24 - 30	30 - 34	
10' 5"		24 - 31	30 - 35	
10' 6"		24 - 32		30
10' 7"		24 - 33		30 - 31
10' 8"		24 - 34		30 - 32
10' 9"		24 - 35		30 - 33
10' 10"				30 - 34
10' 11"				30 - 35
11' 0"				
11' 1"				
11' 2"				
11' 3"				
11' 4"				
11' 5"				
11' 6"	24 - 36			
11' 7"				
11' 8"				
11' 9"				
11' 10"				
11' 11"				
12' 0"		24 - 36	30 - 36	
12' 1"				
12' 2"				
12' 3"				
12' 4"				
12' 5"				30 - 36
12' 6"				
12' 7"				
12' 8"				
12' 9"				
12' 10"				
12' 11"				
13' 0"	25 - 36			
13' 1"	26 - 36			
13' 2"	27 - 36			
13' 3"	28 - 26	25 - 36		
13' 4"	29 - 36	26 - 36		
13' 5"	30 - 36	27 - 36		
13' 6"	31 - 36	28 - 26		
13' 7"	32 - 36	29 - 36		
13' 8"	33 - 36	30 - 36	31 - 36	
13' 9"	34 - 36	31 - 36	32 - 36	
13' 10"	35 - 36	32 - 36	33 - 36	
13' 11"	36	33 - 36	34 - 36	31 - 36
14' 0"		34 - 36	35 - 36	32 - 36
14' 1"		35 - 36	36	33 - 36
14' 2"		36		34 - 36
14' 3"				35 - 36
14' 4"				36

Preparación para la instalación

DETERMINE LAS UBICACIONES DE LA CAMPANA, EL CONDUCTO Y EL CABLEADO

- Esta campana se podrá instalar sobre la pared o debajo del soffito.
- Para instalar la campana en el soffito o gabinete, consulte en la página 12 sobre un método de montaje alternativo.
- Mida la distancia deseada desde la parte inferior de la campana hasta la superficie de cocción, con un mínimo de 24" sobre una cocina eléctrica o un mínimo de 30" sobre una cocina a gas y un máximo recomendado de 36".
- Use un nivel para dibujar la ubicación de la línea central de la superficie de cocción.
- Mida 8" desde la línea horizontal que indica la parte inferior de la campana. Dibuje otra línea horizontal para indicar la parte inferior de la barra de instalación.
- Use un nivel para dibujar la ubicación de la línea central de la superficie de cocción o de la cocina.

Para un Conducto en Cielorraso:

- Si ventilará a través del cielorraso, extienda la línea central hacia adelante sobre el cielorraso hasta la pared trasera.
- Mida 6 ¼" desde la pared trasera para marcar el punto central.
- Haga un agujero para conducto de 8" de diámetro desde el punto central sobre el cielorraso.

Ventilación a Través de un Soffito:

- Siga el mismo procedimiento para conductos de cielorraso para cortar el agujero a través de la parte superior del soffito.

Ubicación del Cableado Hogareño:

- La caja de empalmes se encuentra ubicada dentro del cuerpo de la campana sobre el lado izquierdo. Consulte las ilustraciones para conocer las ubicaciones del tablero de la campana.

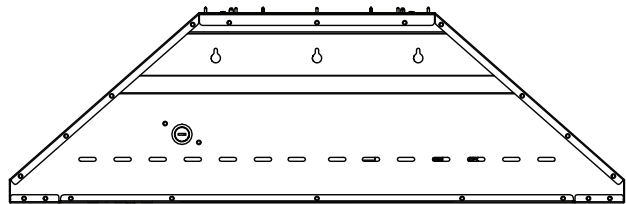
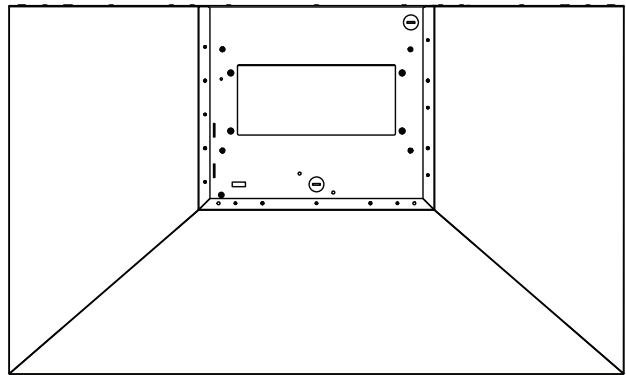
El cableado hogareño podrá ingresar a la caja de empalmes desde la parte trasera o desde la parte superior de la campana, sobre el lado izquierdo.

Para conducir el cableado hogareño a través del cielorraso o soffito:

- El cableado se podrá hacer circular a través de las tapas sobre la parte trasera derecha o la parte central del frente.

Para conducir el cableado hogareño a través de la pared:

- Mida 4" desde la parte inferior de la campana y marque la ubicación.
- Haga un agujero de aproximadamente 1 ¼" de diámetro en la ubicación marcada a una distancia de 7 7/8" sobre la derecha de la línea central, en base a la siguiente tabla.
- Retire el tablero superior o trasero, dependiendo de su instalación.

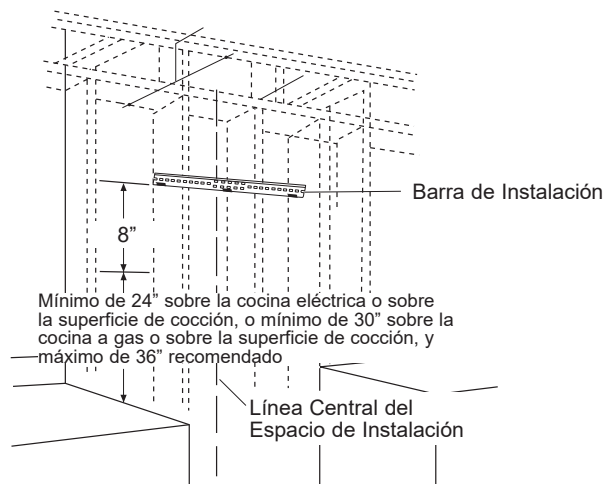


Instalación

1 INSTALE EL SOPORTE DE LA CAMPANA

IMPORTANTE: El marco deberá poder soportar 100 lbs.

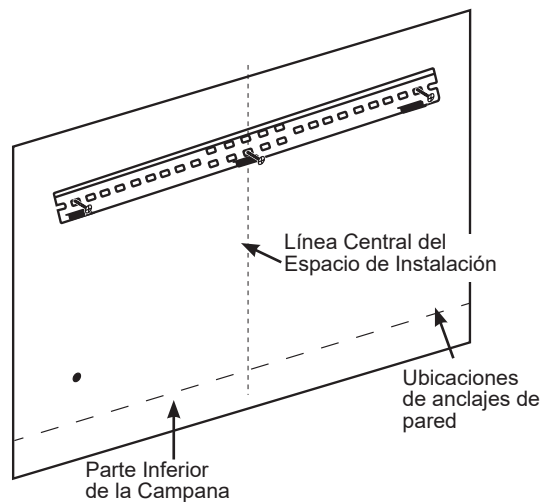
1. Ubique mínimamente 1 viga vertical para la barra de instalación, golpeando la pared de yeso con un martillo o usando un detector de vigas.
2. Nivele la barra de instalación y centre de izquierda a derecha sobre la línea marcada. Sostenga la barra contra la pared.



3. Perfore agujeros piloto de 1/8" en las 1 ubicacione de montaje vertical, a través de los agujeros del soporte de instalación. Asegure la barra de instalación con los tornillos suministrados (A) como se muestra más arriba.

Perfore las Ubicaciones de los Agujeros de Montaje Inferiores:

1. Cuelgue el gancho sobre la barra de instalación para marcar las ubicaciones del anclaje. Marque las ubicaciones de los agujeros a través de la parte trasera de la campana.
2. Si la instalación se hará en gabinete, presione la campana hasta que quede nivelada con o gabinete antes de marcar las ubicaciones de los agujeros de los tornillos.
3. Retire la campana y perfore los agujeros de los espacios libres de 5/16" centrados en las marcas que usted realizó.



1 INSTALACIÓN DEL SOPORTE DE LA CAMPANA (Cont.)

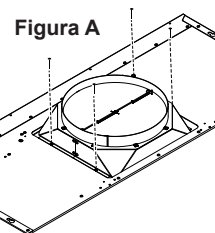
- Instale los anclajes de pared (C) golpeando los mismos con un martillo para asentar los dientes de las bridas sobre la pared. Esto evita que el anclaje ruede.
- Coloque los tornillos de anclaje hasta que los cilindros queden enganchados dentro de la pared.
- Retire los tornillos de los anclajes de pared antes de instalar la campana.

2 INSTALE EL REGULADOR

IMPORTANTE: Retire la cinta de embalaje del regulador y controle que este último se mueva libremente.

Instale el Regulador Superior:

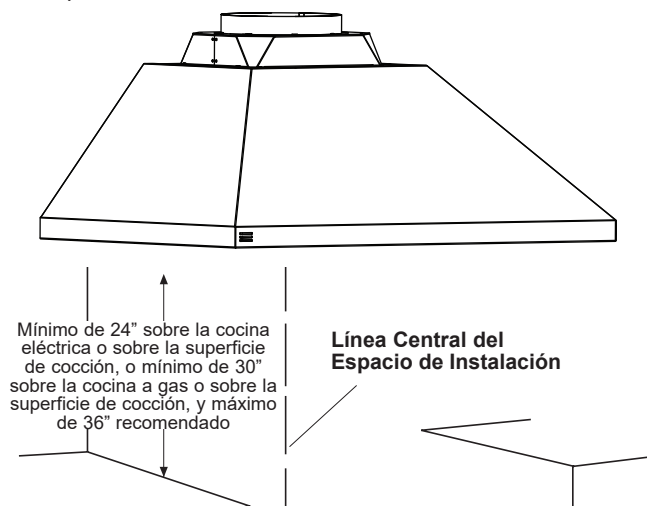
- Instale el regulador superior al cuerpo de la campana como se muestra en la Figura A, usando los tornillos (B) de la parte superior de la campana.



3 INSTALACIÓN DE LA CAMPANA EN LA PARED

PRECAUCIÓN Se requieren 2 personas para levantar y posicionar la campana sobre el soporte de montaje.

- Pase el cableado hogareño a través del tablero sobre la parte trasera o superior de la campana.
- Levante la campana y coloque la misma sobre los ganchos en la barra de instalación. Permita que la campana se deslice hasta su posición.
- Asegúrese de que la campana esté nivelada y centrada.
- Ajuste los tornillos de anclaje de pared (C) para finalizar la instalación del cuerpo de la campana sobre la pared.
- Retire la tapa de la caja de empalmes dentro de la campana.



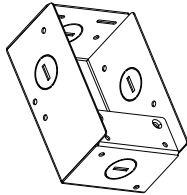
Instalación

4 CONECTE LA ELECTRICIDAD

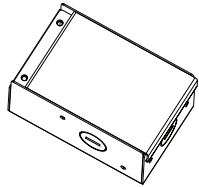
Verifique que la corriente esté apagada en la fuente.

⚠ADVERTENCIA Si el cableado del hogar no tiene 2 cables con uno a tierra, el instalador deberá proveer una conexión a tierra. Cuando el cableado hogareño sea de aluminio, asegúrese de usar un compuesto antioxidante y conectores de aluminio a cobre aprobados por UL.

1. Retire la tapa de la caja de empalmes.

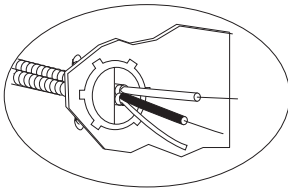


Caja J sin tapa



Caja J con tapa

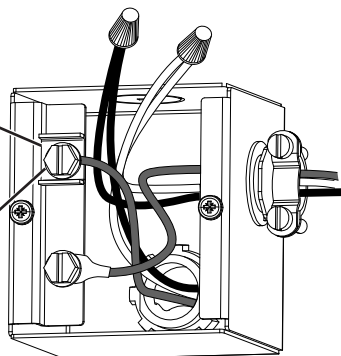
2. Pase el cableado hogareño a través del tablero en la parte superior o trasera de la campana y asegure el mismo con un amortiguador de refuerzo.



3. Use tuercas para cables de la lista de UL para conectar los cables entrantes blanco con blanco y negro con negro.
4. Afloje el tornillo de conexión a tierra verde (con el soporte de conexión a tierra) en la caja de empalmes. Enrolle el cable hogareño de cobre sólido en dirección horaria alrededor del tornillo de conexión a tierra verde y sobre el soporte. De manera firme, ajuste el tornillo sobre el rollo.

Soporte de
Conexión a Tierra

Tornillo Verde de
Conexión a Tierra

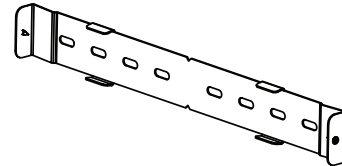


5. Reemplace la tapa de la caja de empalmes y asegúrese de que los cables no hayan sufrido pellizcos.

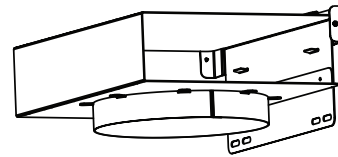
NOTA: Para una instalación con cables: use la misma sólo con los kits de conexión de cables para campanas de cocina que fueron investigados y que se encontró que su uso es aceptable con este modelo de campana para cocina.

5 INSTALE LA CAJA DE RECIRCULACIÓN (SI CORRESPONDE)

1. Instale el soporte superior donde la parte superior de la tapa se detenga, usando los anclajes provistos y los tornillos de madera, alineando la abertura central con la línea central dibujada. Asegúrese de que el soporte esté nivelado.

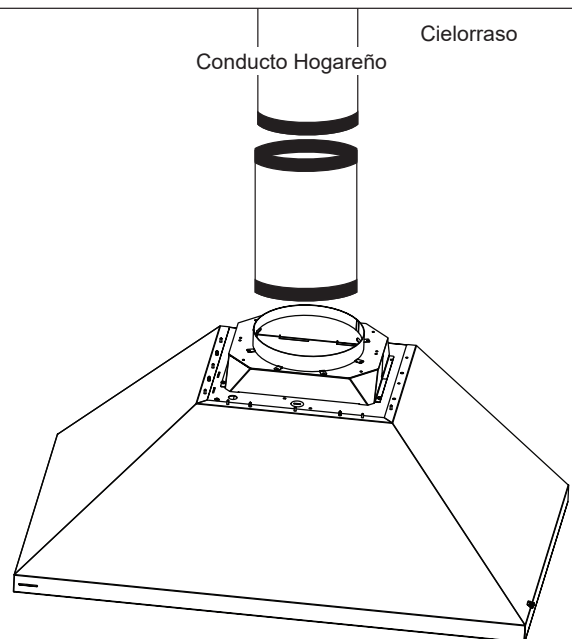


2. Usando las lengüetas del soporte, instale la caja de recirculación sobre las lengüetas.



6 CONECTE EL CONDUCTO

1. Conecte el conducto desde la parte inferior de la caja de recirculación o conecte la tubería de ventilación hogareña en la parte superior del regulador, como se muestra.
2. Selle todas las conexiones con cinta para conductos.



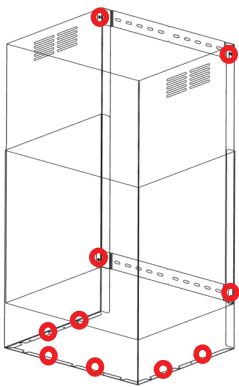
⚠PRECAUCIÓN No use tornillos metálicos para planchas en la transición a la conexión del conducto. Hacer esto impedirá el funcionamiento correcto de los reguladores. Selle la conexión con cinta únicamente.

Instalación

7 INSTALE LAS TAPAS DE LOS CONDUCTOS

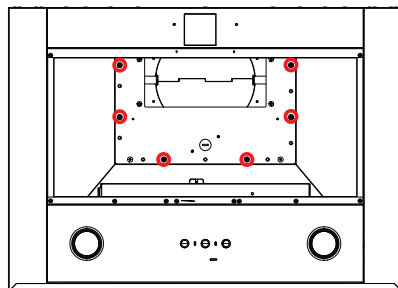
NOTAS: Cada soporte de las tapas de los conductos posee un ancho de 1.575" y tiene una abertura en el centro. El propósito de las ranuras es permitir que uno pueda usar un montaje, de estar disponible, con un anclaje de pared.

1. Instale el soporte superior donde la parte superior de la tapa se detenga usando los anclajes provistos y los tornillos de madera, alineando la abertura central con la línea central dibujada. Asegúrese de que el soporte esté nivelado.
2. Dependiendo de cuál sea la longitud de la tapa del conducto que se use, dibuje una línea horizontal nivelada sobre la parte inferior de la tapa superior. (Consulte en la página 7 sobre la altura de la tapa superior). Alinee el extremo inferior del soporte inferior con la línea y la abertura central con la línea central, y monte el soporte con los tornillos y anclajes.
3. Oriente la tapa del conducto superior en base a la respectiva configuración de la ventilación (con las rejillas hacia arriba para recircular y hacia abajo para ventilar). Asegure la tapa superior a los soportes con los tornillos pasantes provistos.
4. Instale la tapa inferior envolviendo la misma a su alrededor y luego asegurándola con seis tornillos pasantes desde abajo de la parte superior de la campana hasta el reborde inferior.



Ensamble de la Tapa del Conducto

Las ubicaciones de las adhesiones de los tornillos pasantes decorativos aparecen marcadas con círculos.

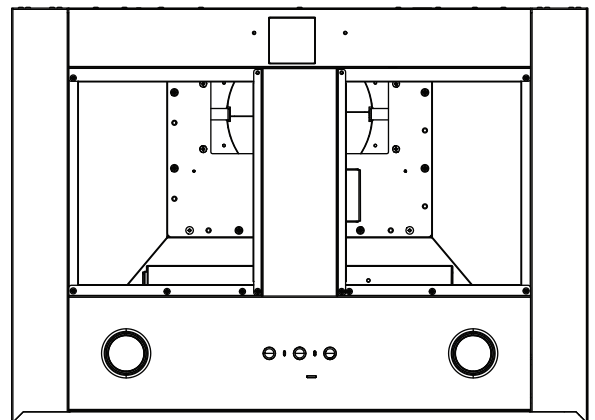
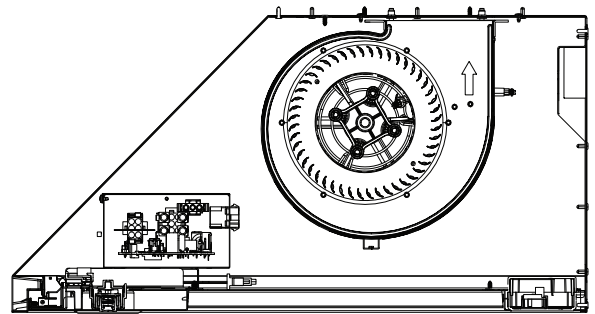


Vista Inferior

8 INSTALE EL EXTRACTOR

NOTAS: El extractor cuenta con cuatro agujeros pasantes para asegurar el cuerpo de la campana con tornillos pasantes, dos de los cuales son cerraduras.

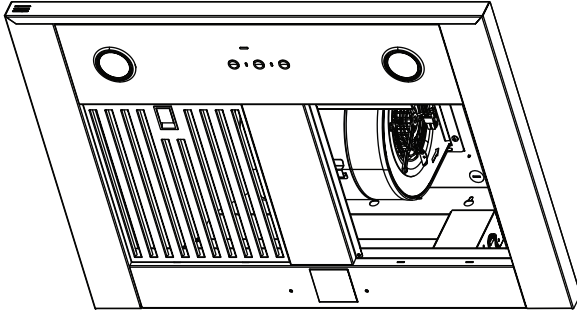
1. En el modelo de 30", la parte del marco decorativo central se deberá retirar.
2. Observando cuáles orificios son cerraduras, preinstale los tornillos relevantes al cuerpo.
3. Instale el extractor insertando y deslizando las cerraduras sobre los tornillos.
4. Instale los tornillos restantes a través de los agujeros regulares del extractor sobre el cuerpo de la campana.
5. Ajuste todos los tornillos.
6. Instale el conector del arnés del cable del extractor al conector de la caja de control.
7. Para el modelo de 30", reinstale la parte del marco decorativo.



Instalación

9 INSTALE LOS FILTROS DE GRASA

1. Retire la película protectora.
2. Inserte las dos lengüetas traseras de cada filtro en el extremo trasero del cuerpo de la campana.
3. Presione el botón sobre el pestillo para abrir el mismo.
4. Instale el extremo frontal del filtro en el extremo frontal del cuerpo de la campana.
5. Libere el pestillo, asegúrese de que esté completamente encajado escuchando un sonido de clic del pestillo y que el botón sea liberado completamente.



Filtro de carbón (Sólo Para Instalación con Recirculación)

NOTA: NO enjuague o coloque el filtro de carbón en el lavavajillas automático.

El filtro de carbón **NO** está incluido con la unidad. Solicite el filtro de carbón UXCF91. Debe ser reemplazado. Se recomienda que el filtro de carbón sea reemplazado cada entre 6 meses, o si se encuentra notoriamente sucio o descolorido.

A fin de reducir el riesgo de incendios y descargas, al usar el modo de recirculación utilice sólo el filtro de carbón UXCF91.

Para consultar sobre la compra de filtros de carbón de repuesto o para encontrar la ubicación del distribuidor más cercano a su domicilio, llame a nuestro número gratuito:

Centro nacional de piezas 800.626.2002

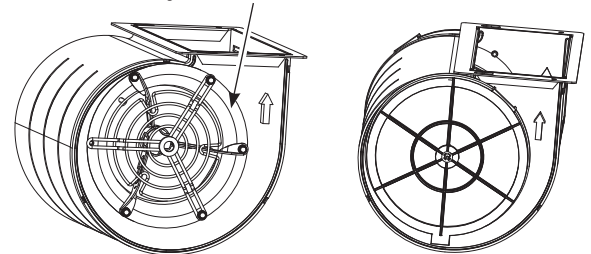
Para instalar

1. Retire los filtros de grasa. Consulte la sección de Filtros.
2. Instale los montajes del filtro de carbón sobre cada lado del motor, usando tres tornillos por lado.
3. Inserte la lengüeta que se encuentra en el filtro de carbón dentro de la ranura triangular del montaje.
4. Enganche el filtro de carbón hasta que quede bloqueado.
5. Repita esto con el segundo filtro del otro lado del motor.
6. Vuelva a adherir los filtros metálicos. Consulte la sección de Filtros.

Para retirar

1. Retire los filtros de grasa – Consulte la sección de Filtros
2. Desenganche el filtro de carbón presionando el sujetador para liberarlo.
3. Con cuidado retire el filtro de carbón de la lengüeta.

Montaje del Filtro de Carbón



Instalación

TECNOLOGÍA DE REPOSICIÓN DE AIRE

Esta operación deberá ser realizada por un técnico o instalador calificado.

Nota para los Instaladores e Inspectores: Este producto está equipado con una función de instalación simple que limita los niveles máximos de CFM, a fin de cumplir con ciertos códigos o regulaciones locales. Es posible que este método de instalación no sea necesario en todas las instalaciones; para acceder a más pautas, por favor consulte sus códigos locales.

Esta función de reposición de aire se aplica a modelos con un solo motor únicamente.

⚠PRECAUCIÓN

La campana deberá ser desconectada de la alimentación de corriente principal siguiendo las instrucciones de conversión que figuran a continuación. Si no se siguen estos pasos, se podrán producir lesiones personales o daños sobre el producto.

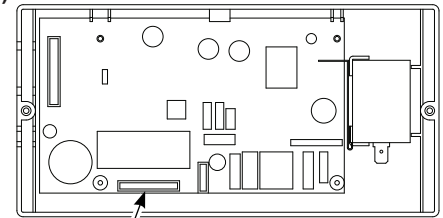
A fin de modificar la unidad (si es necesario para cumplir con los códigos locales):

390CFM

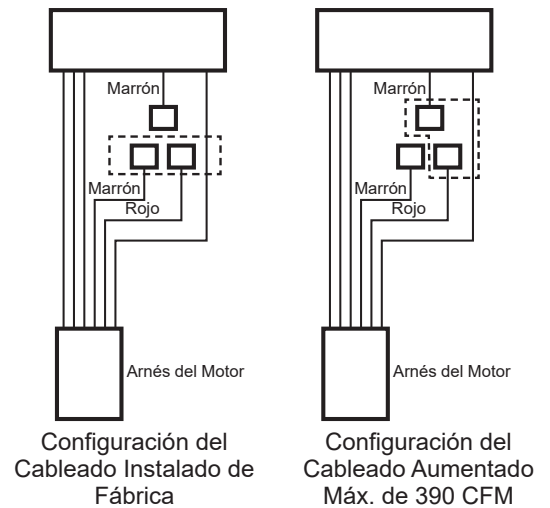
Por diseño, la velocidad máxima del calefactor es superior a los 400 CFM. Si los códigos locales requieren una reducción de los CFM, modifique el cableado como se describe a continuación:

1. Retire los filtros de los deflectores.
2. Desconecte todos los arneses de la parte superior de la caja de control sobre el lado derecho del motor.
3. Afloje los tornillos sobre la parte superior de la caja de control y deslice la misma para retirarla de la campana.
4. Desinstale la tapa de la caja de control.
5. Para un máximo de 390 CFM, la unidad puede funcionar en 4 velocidades (Baja, Media, Alta, Aumentada).
 - i. Desconecte los conectores del cable **MARRÓN**.
 - ii. Retire la tapa adherida al conector del cable **ROJO**.
 - iii. Coloque el conector correspondiente al cable **MARRÓN** y al cable **ROJO**.
 - iv. Adhiera la tapa al enchufe del cable **MARRÓN** abierto.
6. Vuelva a instalar la tapa de la caja de control y asegure la caja de control al soporte de la campana, usando los dos tornillos.
7. Conecte todos los arneses sobre la caja de control.
8. Vuelva a instalar los filtros.

Nota para los Inspectores: A fin de verificar la instalación de este producto, controle las conexiones del cableado del motor como se describe más arriba.



Conector del Arnés del Motor



Configuración del Cableado Instalado de Fábrica

Configuración del Cableado Aumentado Máx. de 390 CFM