



DISPOSALL[®] Food Waste Disposer

SAFETY INFORMATION.....3

USING THE DISPOSER4

CARE AND CLEANING4

INSTALLATION INSTRUCTIONS5

TROUBLESHOOTING12

LIMITED WARRANTY14

CONSUMER SUPPORT16

**OWNER'S MANUAL
AND INSTALLATION
INSTRUCTIONS**

GFC365
GFC565
GFC765
GFC1065

**ENGLISH/FRANÇAIS/
ESPAÑOL**

Write the model and serial numbers here:

Model # _____

Serial # _____

You can find them on a label on the bottom of the disposer.

THANK YOU FOR MAKING GE APPLIANCES A PART OF YOUR HOME.

Whether you grew up with GE Appliances, or this is your first, we're happy to have you in the family.

We take pride in the craftsmanship, innovation and design that goes into every GE Appliances product, and we think you will too. Among other things, registration of your appliance ensures that we can deliver important product information and warranty details when you need them.

Register your GE appliance now online. Helpful websites and phone numbers are available in the Consumer Support section of this Owner's Manual. You may also mail in the pre-printed registration card included in the packing material.



IMPORTANT SAFETY INFORMATION

READ ALL INSTRUCTIONS BEFORE USING THE APPLIANCE

▲WARNING For your safety, the information in this manual must be followed to minimize the risk of fire, explosion, electric shock, and to prevent property damage, personal injury, or death.

▲WARNING WHEN USING YOUR ELECTRICAL APPLIANCES, BASIC SAFETY PRECAUTIONS SHOULD BE FOLLOWED, INCLUDING THE FOLLOWING:

- Use this appliance only for its intended purpose as described in this Owner's Manual.
- Read all the instructions before using the appliance.
- To reduce the risk of injury, close supervision is required when a disposer is used near children.
- Do not put fingers or hands into a waste disposer.
- Turn the power switch to the OFF position before attempting to clear a jam or remove an object from the disposer.
- When attempting to loosen a jam in a waste disposer, use a long wooden object such as a wooden spoon or the wooden handle of a broom or mop.
- When attempting to remove objects from a waste disposer, use long-handled tongs or pliers. If the disposer is magnetically actuated, use only nonmagnetic tools.
- To reduce the risk of injury by materials that may be expelled by a waste disposer, do not put the following into a disposer:
 - a. Clam or oyster shells
 - b. Caustic drain cleaners or similar products
 - c. Glass, china or plastic
 - d. Large whole bones
 - e. Metal, such as bottle caps, tin cans, utensils or aluminum foil
 - f. Hot grease or other hot liquids
 - g. Whole corn husks
- When not operating a disposer, leave the drain stopper in place to reduce the risk of objects falling into the disposer.
- For proper grounding instructions, see the **CONNECTING ELECTRICITY** portion of this manual.

CONNECTING ELECTRICITY

If you are not familiar with electrical power and procedures, call a qualified electrician.

▲WARNING Improper connection of the equipment-grounding conductor can result in a risk of electric shock. Check with a qualified electrician or serviceman if you are in doubt as to whether the appliance is properly grounded. Do not modify the plug provided with the appliance if it will not fit the outlet; have a proper outlet installed by a qualified electrician.

For Models Equipped with a Grounded Cord:

GROUNDING INSTRUCTIONS: This disposer must be grounded to reduce the risk of electric shock in the event of a malfunction or breakdown. Grounding provides a path of least resistance for electric current. This disposer is equipped with a cord having an equipment-grounding conductor and a grounding plug. The plug must be plugged into an outlet that is properly installed and grounded in accordance with all local codes and ordinances.

Proper Disposal of your Appliance

- Dispose of or recycle your appliance in accordance with Federal and Local Regulations. Contact your local authorities for the environmentally safe disposal or recycling of your appliance.
- Consider recycling options for your appliance packaging material.

READ AND SAVE THESE INSTRUCTIONS

Using the Disposer / Care and Cleaning

READ ALL SAFETY INSTRUCTIONS BEFORE USING THIS DISPOSER.

This disposer uses anti-jam swivel impellers that make a clicking sound as they swing into place. This indicates normal operation.

- A. Remove the sink stopper and turn on a medium flow of cold water.
 - B. Turn the switch to ON.
 - C. Scrape in food waste. To speed up food waste disposal, cut or break up large bones, rinds and cobs. Large bones and fibrous husks require considerable grinding time and are more easily thrown away with other trash. Do not be alarmed that the disposer slows down while grinding. The disposer is actually increasing torque (grinding power) and is operating under normal conditions.
 - D. Before turning the disposer off, let the water and the disposer run for approximately 25 seconds after shredding stops. This assures that all waste is thoroughly flushed through the trap and drain.
 - E. Do not use hot water while running the disposer. Cold water will keep food waste and fats solid so they can be flushed down the drain.
-

Helpful Hints

- A. Be sure the disposer is empty before using the dishwasher so it can drain properly.
- B. You may want to leave the stopper in the drain when not in use to prevent utensils and foreign objects from falling into the disposer.
- C. The disposer is ruggedly built to give you years and years of trouble-free service. It will handle all normal food wastes - BUT it will not grind and dispose such items as tin cans, bottles and bottle caps, glass, china, leather, cloth, crockery, rubber, string, feathers, or clam or oyster shells. These are waste materials and belong in the trash can or trash compactor.
- D. TO SPEED UP FOOD WASTE DISPOSAL: Cut or break up large bones, melon rinds, grapefruit skins and corn cobs. Items such as large bones, fibrous husks like lima bean pods and corn husks, require considerable cutting time. For this reason, you may prefer to place them in the trash can or trash compactor.

Care and Cleaning

THE MOTOR IS PERMANENTLY LUBRICATED FOR LIFE. DO NOT ATTEMPT TO LUBRICATE YOUR DISPOSER. The disposer is self cleaning and scours itself with each use.

- NEVER put lye or chemical cleaners into the disposer, as they cause serious corrosion of metal parts.
- Your disposer is equipped with a removable splash guard for ease of cleaning or replacement. Remove the splash guard by pulling it out from the top. To replace, insert into the sink flange and push down until it is properly seated.
- If an odor develops, run orange or lemon rinds through the disposer. A dozen ice cubes sprinkled with a little household scouring powder will also work.

Installation Instructions

Dryer

If you have any questions, call GE Appliances at 800.GE.CARES (800.432.2737) or visit our Website at: GEAppliances.com
In Canada, call 800.561.3344 or visit www.GEAppliances.ca

BEFORE YOU BEGIN

Read these instructions completely and carefully.

FOR YOUR SAFETY

Read and observe all **WARNINGS** and **CAUTIONS** shown throughout these instructions.

While performing installations described in this booklet, gloves and safety glasses or goggles should be worn.

IMPORTANT – Observe all governing codes and ordinances.

- Save these instructions for local inspector's use.
- **Note to Installer** – Be sure to leave these instructions with the consumer.
- **Note to Consumer** – Keep these instructions for future reference.
- **Skill level** – Installation of this appliance requires basic mechanical skills.
- Proper installation is the responsibility of the installer.

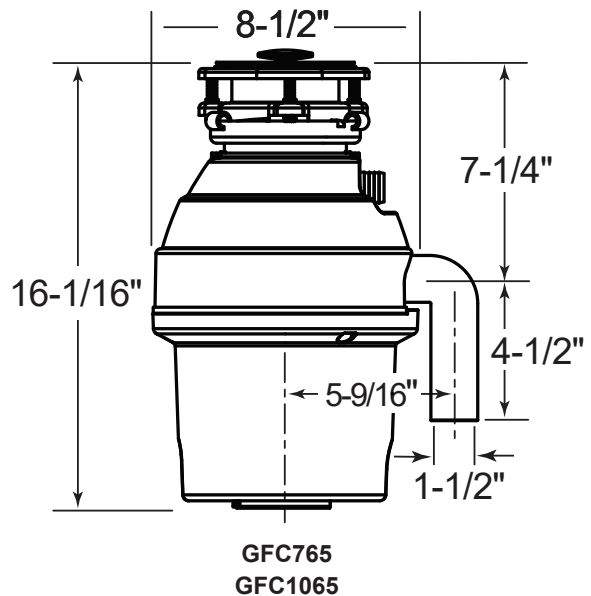
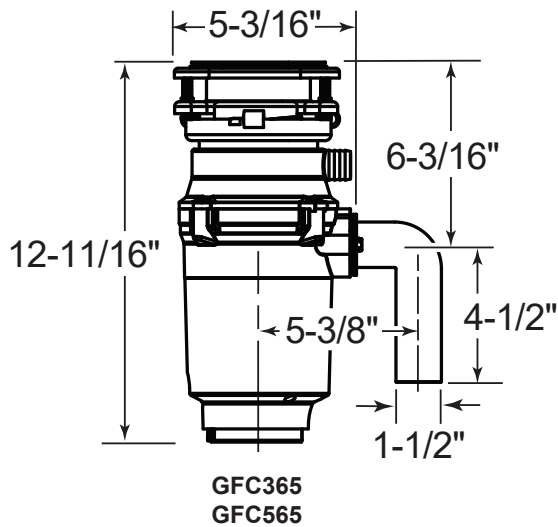
⚠ WARNING

- **FOR PERSONAL SAFETY:** Remove house fuse or open circuit breaker before beginning installation. Do not use an extension cord or adapter plug with this appliance.
- **FOR PERSONAL SAFETY:** Do not position your head or body under disposer; unit could fall during removal or installation.
- The improper connection of the equipment grounding conductor can result in a risk of electric shock. Check with a qualified electrician or service representative if you are in doubt that the appliance is properly grounded.
- If house wiring is not 2-wire with ground, a ground must be provided by the installer. When house wiring is aluminum, be sure to use UL-Listed anti-oxidant compound and aluminum-to-copper connectors.

- Product failure due to improper installation is not covered under the Warranty.

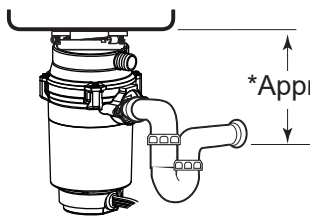
Installation Instructions

DIMENSIONS

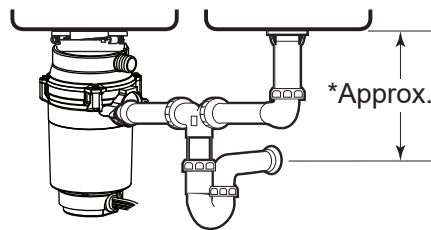


SOME TYPICAL INSTALLATIONS

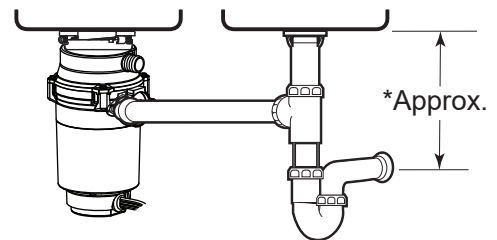
SINGLE BOWL



DOUBLE BOWL
CENTER OUTLET**



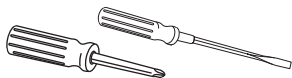
DOUBLE BOWL
END OUTLET**



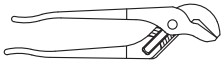
*It is essential for the proper operation of the disposer that this dimension be 9"-12" to avoid standing water in disposer motor housing.

**Flexible drain pipe may be necessary for this application.

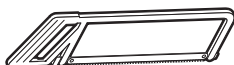
WHAT YOU WILL NEED



- Phillips and flat blade screwdrivers



- Channel lock pliers, slip joint



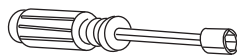
- Hacksaw



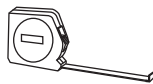
- Flashlight



- Hammer



- Nut Driver



- Tape Measure



- Liquid soap (or petroleum jelly)



- Putty Knife



- Plumbers Putty



- Safety Glasses

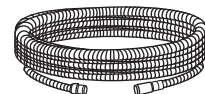


- Gloves

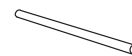
Only needed if connecting to a dishwasher:



- Hose clamp(s)



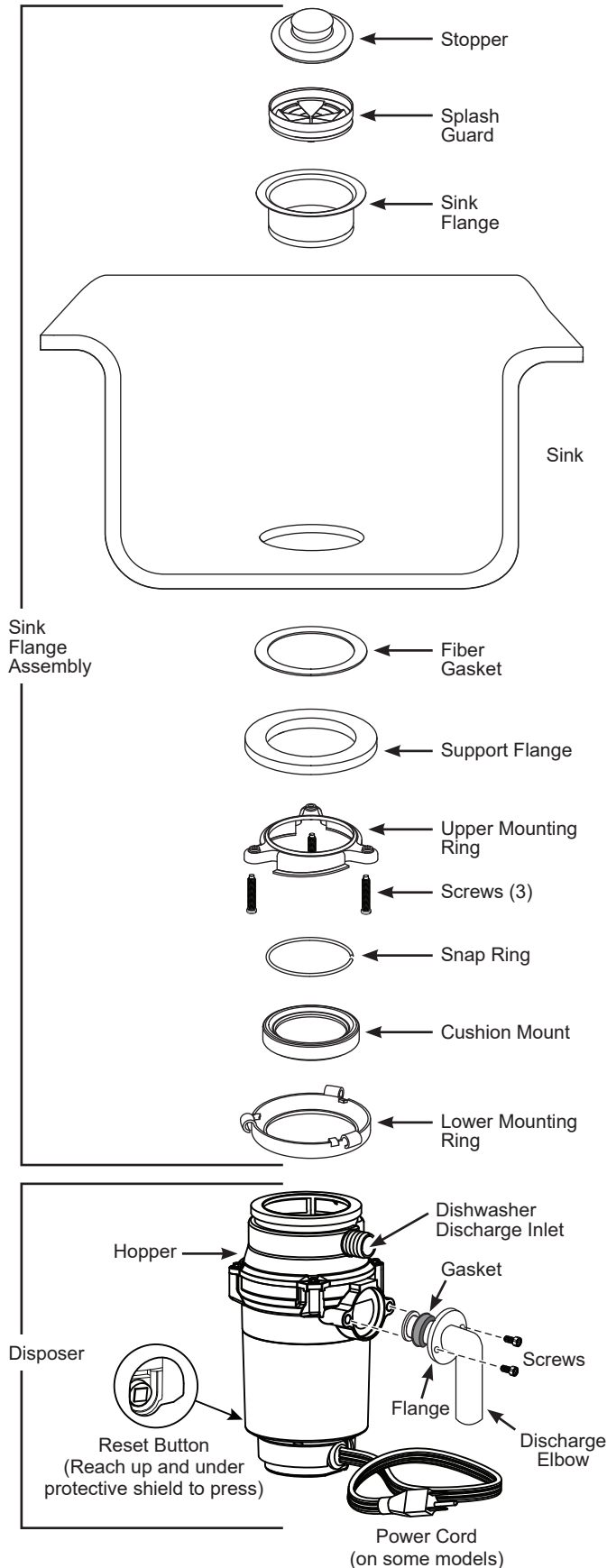
- Flexible Drain Hose



- Wooden dowel or steel punch

Installation Instructions

COMPONENTS

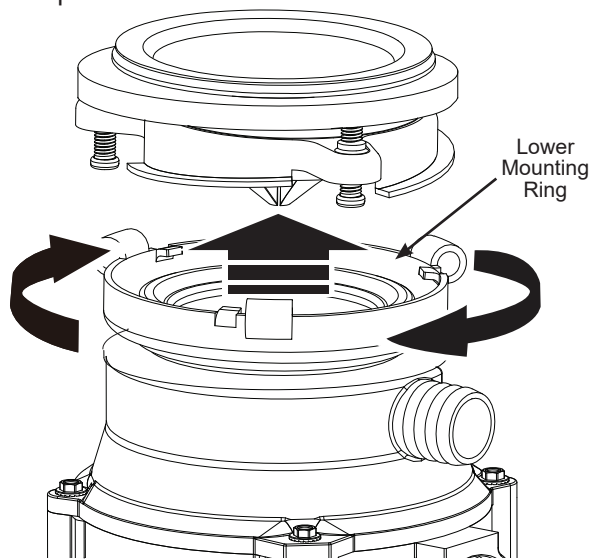


PREPARATION

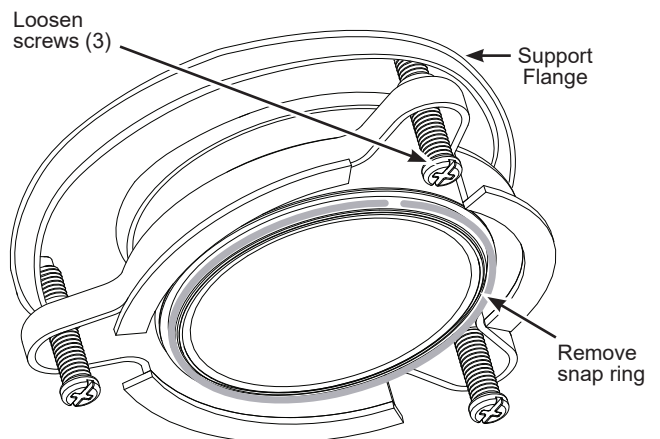
1. Disconnect electrical power supply to disposer.
 2. Remove old disposer or sink flange assembly.
 3. Inspect drain line. If it is heavily coated with hardened grease and accumulations, rout out with a plumber's snake.
 4. Remove old sealing materials and gasketing from sink opening, both top and bottom.
- NOTE:** Top and bottom of sink surfaces must be clean, dry and free of any residue to prevent leaks.

DISASSEMBLE TO INSTALL

1. Turn the lower mounting ring clockwise until it releases and lift the entire hardware assembly from the disposer.



2. Loosen the three screws from the upper mounting ring and slide it toward the support flange.

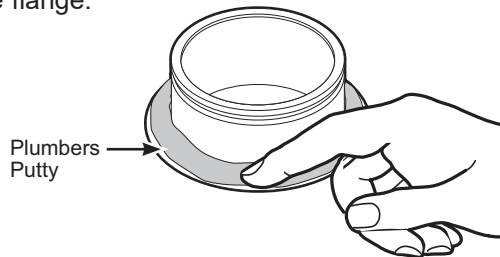


3. Insert a flat blade screwdriver under the snap ring and remove it.
4. Separate the upper mounting ring and support flange from the sink flange.

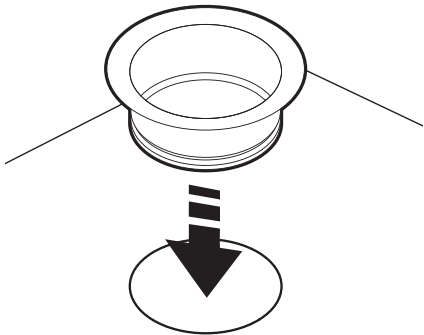
Installation Instructions

INSTALL THE SINK FLANGE

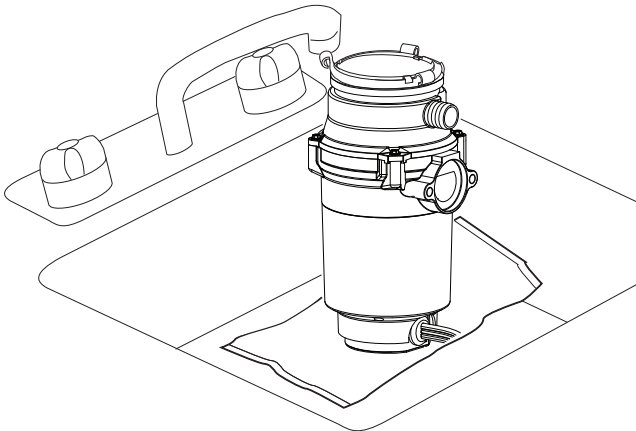
1. Roll plumbers putty in a 3/8" thick rope, turn the sink flange up-side-down and apply around the bottom of the flange.



2. Install the sink flange into the sink opening by pressing it in firmly and removing excess plumbers putty.

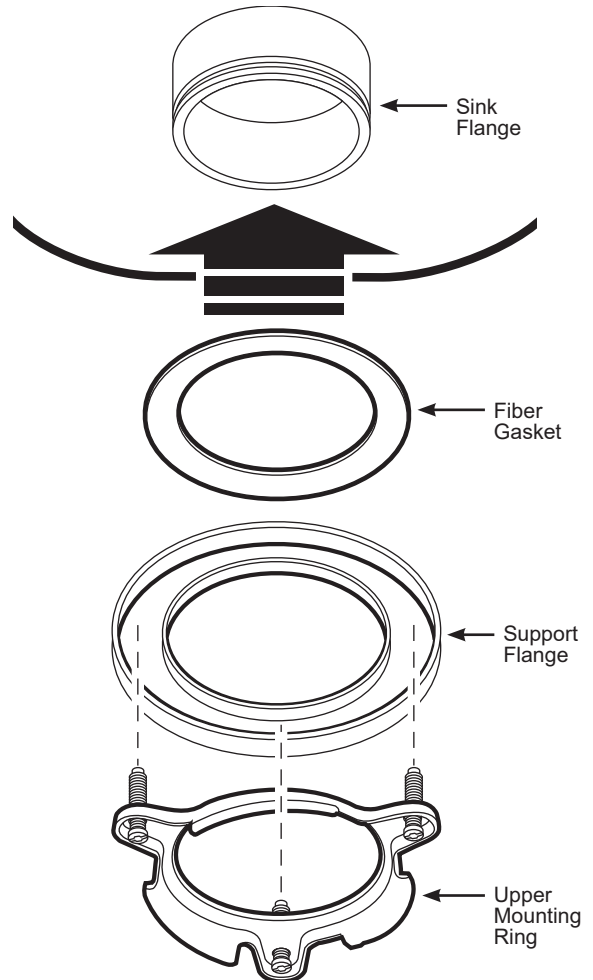


3. Place a towel over the sink bottom and flange, and weight the flange down to hold it in place while you add the other mounting components.

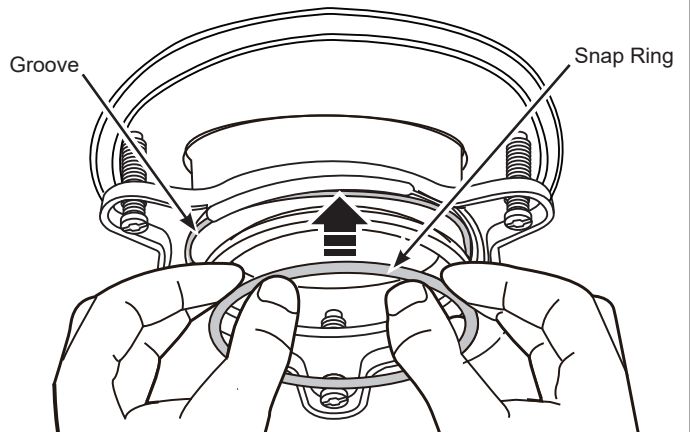


INSTALL THE UNDER SINK MOUNTING HARDWARE

1. Assemble together the fiber gasket, support flange and upper mounting ring onto the lower sink flange.



Secure the assembly in place on the sink flange by inserting the snap ring into the sink flange snap groove.

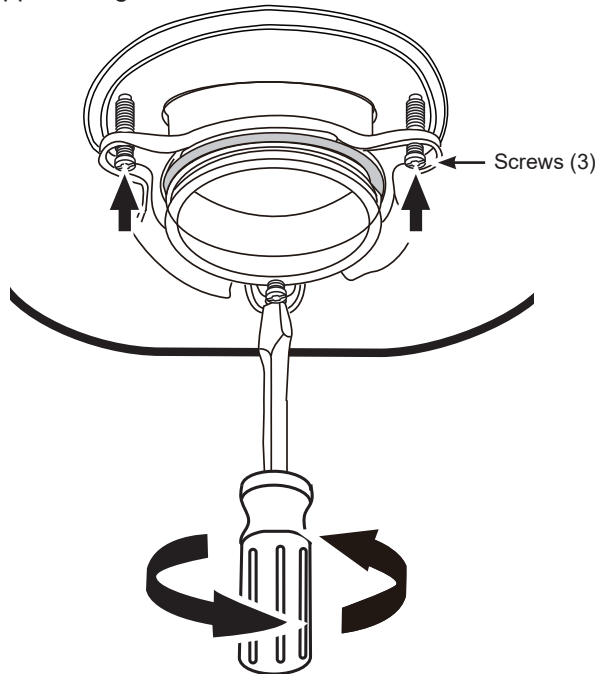


IMPORTANT: Make sure the snap ring is secured into place in the snap groove. If the snap ring is not secured in the snap groove, trapping the assembled parts in place, then the disposer cannot be properly installed.

Installation Instructions

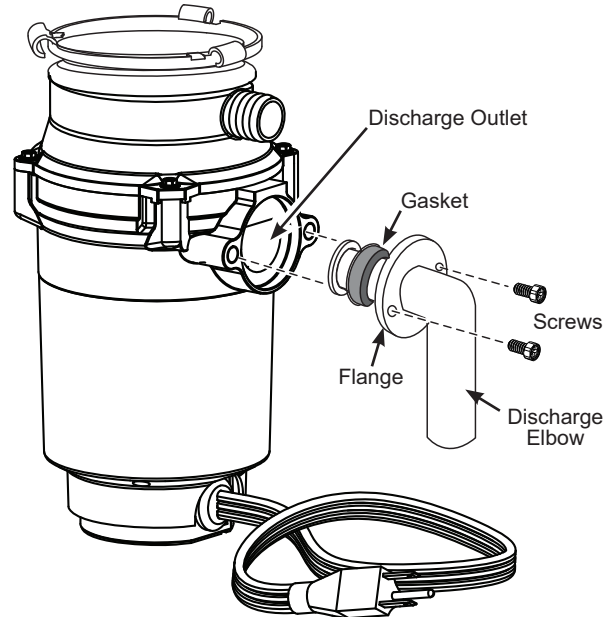
INSTALL THE UNDER SINK MOUNTING HARDWARE (CONT.)

2. Tighten the three upper mounting ring screws into the support flange.



ATTACH THE DISCHARGE ELBOW

- Slide the discharge flange and then the discharge gasket onto the discharge elbow. Insert the discharge elbow and gasket into the disposer discharge outlet and attach the flange assembly to the disposer with the two screws.

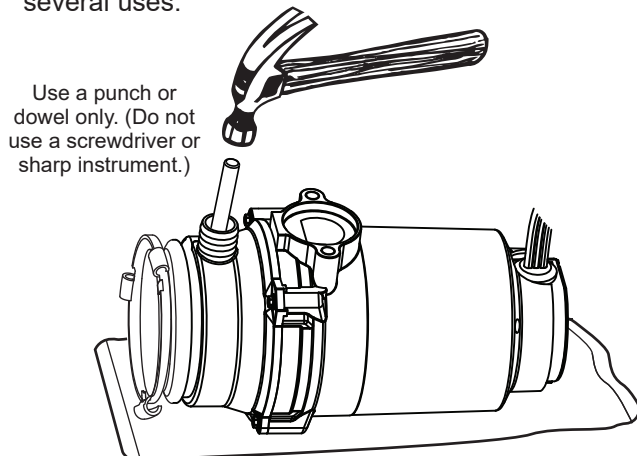


NOTE: Some installations may require a straight pipe or flexible drain pipe connection. Consult a licensed plumber as needed.

IF CONNECTING TO A DISHWASHER

If you are connecting to a dishwasher, complete this step. If a dishwasher is not to be connected, skip to **ATTACH THE DISCHARGE ELBOW** section and continue.

- Set the disposer on the floor. Place it on its side on a protected surface. Use a blunt instrument (steel punch or wooden dowel), to knock out the entire dishwasher discharge plug. Do not use a screwdriver or sharp instrument. When knockout plug falls into disposer, you may remove it or simply grind it up when the disposer is used. This will not damage the disposer in any way, but may take some time to grind, over the course of several uses.

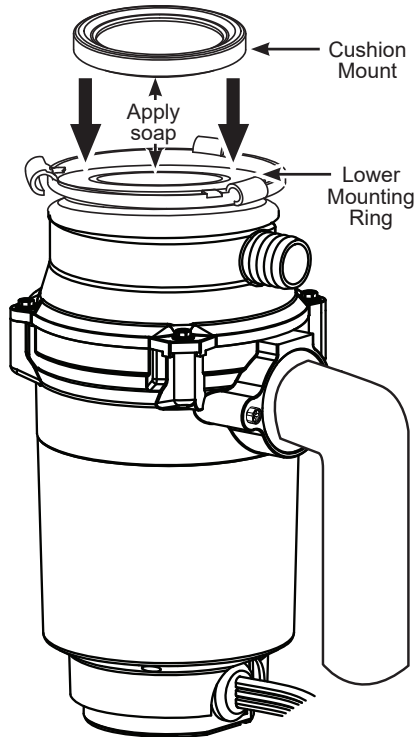


Installation Instructions

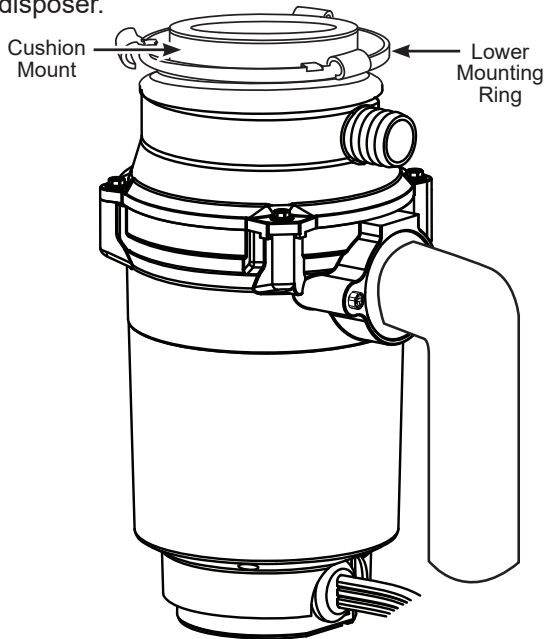
MOUNT THE DISPOSER

IMPORTANT: Before performing this step, read it completely to understand how the disposer is mounted.

1. Apply a small amount of liquid soap (or petroleum jelly) onto the bottom of the cushion mount and to the bottom of the the lower mounting ring to aid its sliding and rotation onto the upper mounting ring.

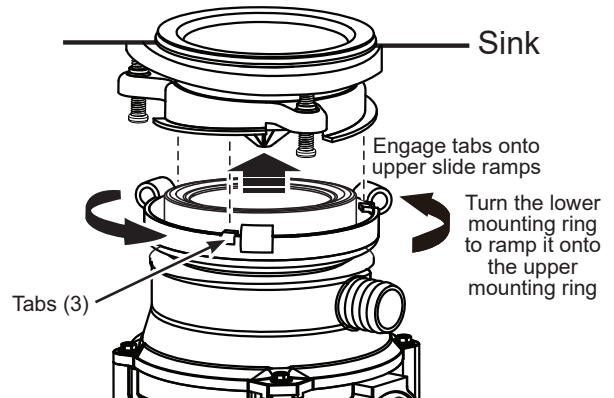


2. Seat the cushion mount onto the top ring of the disposer.

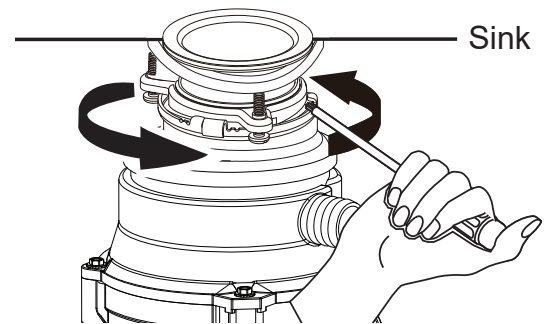


MOUNT THE DISPOSER (CONT.)

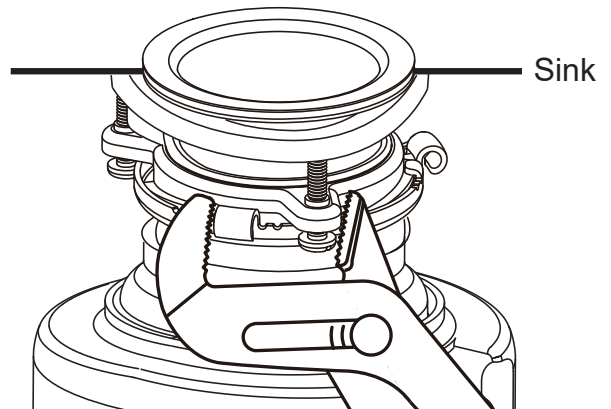
3. Lift and prop the disposer into place on the upper mounting ring. Mount it by turning the lower mounting ring until its tabs engage onto the slide ramps of the upper mounting ring.



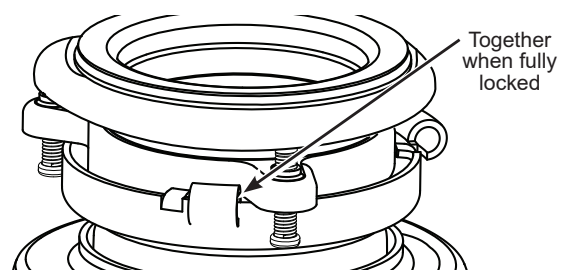
Insert a screwdriver into a lower hook and leverage it counterclockwise into place.



Use channel lock pliers to fully lock the lower mounting ring tabs onto the upper slide ramps.



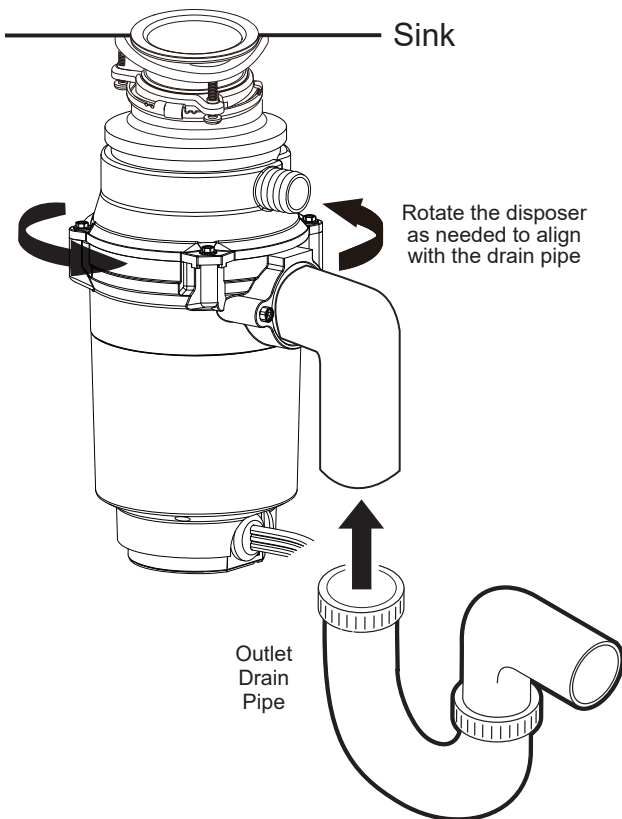
Shown fully locked:



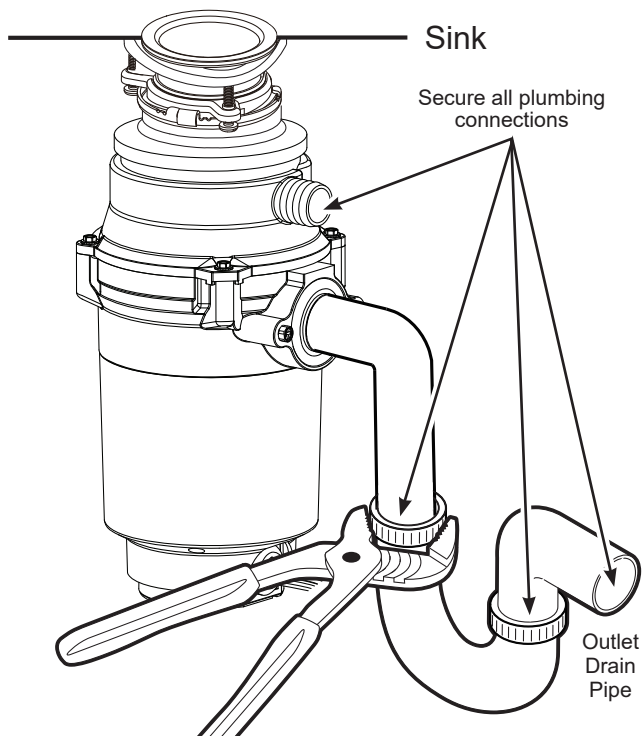
Installation Instructions

CONNECT PLUMBING

1. Turn the disposer until the disposer discharge elbow lines up with the outlet drain pipe.

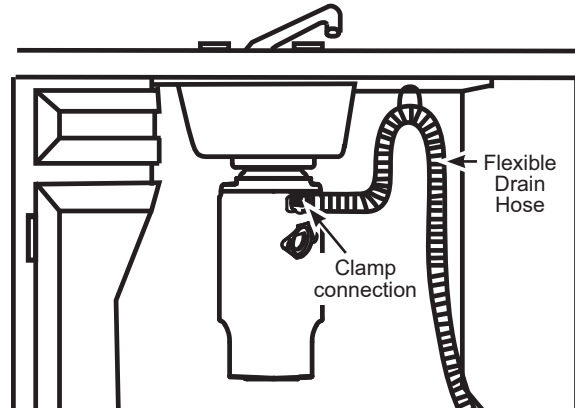


2. Securely connect all plumbing, including the drain pipe and the dishwasher drain (if used), observing all codes and ordinances.



IF CONNECTING TO A DISHWASHER

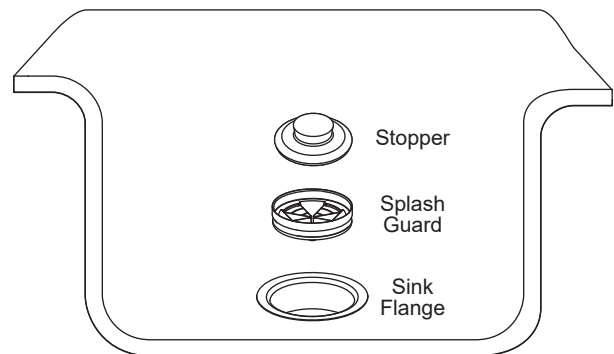
- Connect the flexible drain hose to the dishwasher discharge using a hose clamp. If the hose size is different, you will need a stepped rubber adapter.



See the Installation Instructions that came with your dishwasher for details.

INSTALL SPLASH GUARD AND STOPPER

- Press the splash guard into place in the sink flange. Insert the stopper over the splash guard.



NOTE: Both the splash guard and stopper may be removed and cleaned as needed.

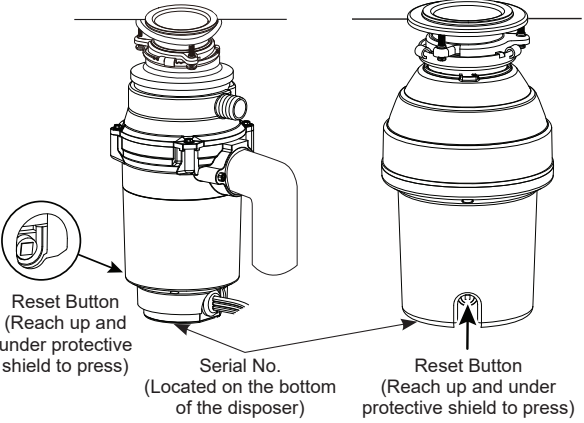
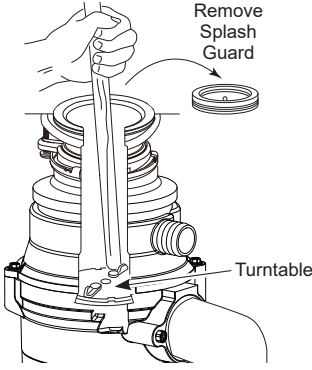
CONNECT POWER AND TEST FOR LEAKS

- Plug the disposer into an outlet that is properly installed and grounded in accordance with all local codes and ordinances.
- Run water to check the disposer for leaks 24 hours after installation and first operation.
- Keep and refer to this Owner's Manual for proper use and care of this disposer.

Troubleshooting Tips... Before you call for service

SAFETY NOTE: Before investigating, you must disconnect the power supply.

⚠ WARNING Before resetting, disconnect the power supply-please see SAFETY NOTE above. The overload control prevents the motor from operating should overloading occur. This feature protects your house wiring and your disposer. When overloaded, the motor will stop automatically.

Problem	Possible Cause	What To Do
Loud noises (other than those during grinding of bones and fruit pits)	Silverware, bottle cap or other foreign object has fallen into the disposer	Remove the splash guard and remove the object with long-handled tongs. Replace the splash guard.
Disposer does not start	Reset button has been tripped 	With the splash guard removed, check to see if the turntable will move freely using a broom handle. If the turntable moves freely, replace the splash guard and check the reset button to see if it has been tripped. The reset button is red, located opposite the discharge elbow, near the bottom of the disposer behind its protective shield. Reach up and under the protective shield and push the button in until it clicks and remains depressed. If the reset button has not been tripped, check for a shorted or broken wire connecting to the disposer. Check the electrical power switch, fuse box or circuit breaker. If wiring and electrical components are intact, the unit may have internal problems that require service or replacement.
	Turntable cannot rotate. 	If the turntable does not turn freely, check for an object lodged between the turntable and the grind ring. Dislodge the object by moving the turntable with a broom handle. Then remove the object. If no foreign object is present, there may be internal problems.
Disposer leaks	If the leak is at the top, it may be caused by: 1. Improper seating of sink flange (gasket choice, putty, or tightening). 2. Support ring not tightened properly. 3. Defective cushion mount. If the leak is at the discharge elbow, leak may be caused by improper tightening of elbow flange screws.	

GE Appliances Limited Warranty (For customers in the United States)

GEAppliances.com

All warranty service is provided by our Factory Service Centers, or an authorized Customer Care® technician. To schedule service online, visit us at **GEAppliances.com/service**, or call GE Appliances at 800.GE.CARES (800.432.2737). Please have your serial number and your model number available when calling for service.

For the period of	GE Appliances will replace
One Year From the date of the original purchase	The entire disposer if there is a defect in materials or workmanship relating to functional parts only (appearance parts are excluded). During this limited one-year warranty , GE Appliances will also provide, free of charge , all labor charges related to replacing the original disposer along with the replacement disposer within the first year.
Additional One Year From the date of the original purchase	Models GFC565: If there is a defect in materials or workmanship relating to functional parts only (appearance parts are excluded). During the one-year extended limited warranty period, you will be responsible for all installation charges relating to the replacement disposer.
Additional Four Years From the date of the original purchase	Models GFC765: If there is a defect in materials or workmanship relating to functional parts only (appearance parts are excluded). During this four-year extended limited warranty period, you will be responsible for all installation charges relating to the replacement disposer.
Additional Six Years From the date of the original purchase	Model GFC1065: If there is a defect in materials or workmanship relating to functional parts only (appearance parts are excluded). During this six-year extended limited warranty period, you will be responsible for all installation charges relating to the replacement disposer.

Staple your receipt here. Proof of the original purchase date is needed to obtain service under the warranty.

What is not covered:

- Service trips to your home to teach you how to use the product.
- Improper installation, delivery or maintenance.
- Failure of the product if it is abused, misused, or used for other than the intended purpose or used commercially.
- Replacement of house fuses or resetting of circuit breakers.
- Products which are not defective or broken, or which are working as described in the Owner's Manual.
- Damage to the product caused by accident, fire, floods or acts of God.
- Incidental or consequential damage caused by possible defects with this appliance.
- Defects or damage due to operation in freezing temperatures.
- Damage caused after delivery.
- Product not accessible to provide required service.

EXCLUSION OF IMPLIED WARRANTIES

Your sole and exclusive remedy is product repair as provided in this Limited Warranty. Any implied warranties, including the implied warranties of merchantability or fitness for a particular purpose, are limited to one year or the shortest period allowed by law.

This limited warranty is extended to the original purchaser and any succeeding owner for products purchased for home use within the USA. If the product is located in an area where service by a GE Appliances Authorized Servicer is not available, you may be responsible for a trip charge or you may be required to bring the product to an Authorized GE Appliances Service location for service. In Alaska, the limited warranty excludes the cost of shipping or service calls to your home.

Some states do not allow the exclusion or limitation of incidental or consequential damages. This limited warranty gives you specific legal rights, and you may also have other rights which vary from state to state. To know what your legal rights are, consult your local or state consumer affairs office or your state's Attorney General.

Warrantor: GE Appliances, a Haier Company, Louisville, KY 40225

GE Appliances Limited Warranty (For customers in Canada)

LIMITED WARRANTY

GEAppliances.ca

All warranty service is provided by our Factory Service Centers, or an authorized Customer Care® technician. To schedule service online, visit us at **GEAppliances.ca/after-sales-support**, or call GE Appliances at 800.561.3344. Please have your serial number and your model number available when calling for service.

For the period of	GE Appliances will replace
One Year From the date of the original purchase	The entire disposer if there is a defect in materials or workmanship relating to functional parts only (appearance parts are excluded). During this limited one-year warranty , GE Appliances will also provide, free of charge , all labor charges related to replacing the original disposer along with the replacement disposer within the first year.
Additional One Year From the date of the original purchase	Models GFC565: If there is a defect in materials or workmanship relating to functional parts only (appearance parts are excluded). During the one-year extended limited warranty period, you will be responsible for all installation charges relating to the replacement disposer.
Additional Four Years From the date of the original purchase	Models GFC765: If there is a defect in materials or workmanship relating to functional parts only (appearance parts are excluded). During this four-year extended limited warranty period, you will be responsible for all installation charges relating to the replacement disposer.
Additional Six Years From the date of the original purchase	Model GFC1065: If there is a defect in materials or workmanship relating to functional parts only (appearance parts are excluded). During this six-year extended limited warranty period, you will be responsible for all installation charges relating to the replacement disposer.

Staple your receipt here. Proof of the original purchase date is needed to obtain service under the warranty.

What is not covered:

- Service trips to your home to teach you how to use the product.
- Improper installation, delivery or maintenance.
- Failure of the product if it is abused, misused, or used for other than the intended purpose or used commercially.
- Replacement of house fuses or resetting of circuit breakers.
- Products which are not defective or broken, or which are working as described in the Owner's Manual.
- Damage to the product caused by accident, fire, floods or acts of God.
- Incidental or consequential damage caused by possible defects with this appliance.
- Defects or damage due to operation in freezing temperatures.
- Damage caused after delivery.
- Product not accessible to provide required service.

EXCLUSION OF IMPLIED WARRANTIES

Your sole and exclusive remedy is product repair as provided in this Limited Warranty. Any implied warranties, including the implied warranties of merchantability or fitness for a particular purpose, are limited to one year or the shortest period allowed by law.

This limited warranty is extended to the original purchaser and any succeeding owner for products purchased in Canada for home use within Canada. If the product is located in an area where service by a GE Appliances Authorized Servicer is not available, you may be responsible for a trip charge or you may be required to bring the product to an Authorized GE Appliances Service location.

Some provinces do not allow the exclusion or limitation of incidental or consequential damages. This limited warranty gives you specific legal rights, and you may also have other rights which vary from province to province. To know what your legal rights are, consult your local or provincial consumer affairs office.

Warrantor: MC Commercial Inc., Burlington, ON, L7R 5B6

Consumer Support

GE Appliances Website

Have a question or need assistance with your appliance? Try the GE Appliances Website 24 hours a day, any day of the year! You can also shop for more great GE Appliances products and take advantage of all our on-line support services designed for your convenience. In the US: **GEAppliances.com**

In Canada: **GEAppliances.ca**

Register Your Appliance

Register your new appliance on-line at your convenience! Timely product registration will allow for enhanced communication and prompt service under the terms of your warranty, should the need arise. You may also mail in the pre-printed registration card included in the packing material. In the US: **GEAppliances.com/register**

In Canada: **GEAppliances.ca/after-sales-support**

Schedule Service

Expert GE Appliances repair service is only one step away from your door. Get on-line and schedule your service at your convenience any day of the year. In the US: **GEAppliances.com/service** or call 800.432.2737 during normal business hours.

In Canada: **GEAppliances.ca/after-sales-support** or call 800.561.3344.

Extended Warranties

Purchase a GE Appliances extended warranty and learn about special discounts that are available while your warranty is still in effect. You can purchase it on-line anytime. GE Appliances Services will still be there after your warranty expires. In the US: **GEAppliances.com/extended-warranty** or call 800.626.2224 during normal business hours.

In Canada: **GEAppliances.ca/purchase-extended-warranty** or call 866.277.9842.

Remote Connectivity

For assistance with wireless network connectivity (for models with remote enable), in the US visit our website at **GEAppliances.com/connect** or call 800.220.6899.

In Canada: **GEAppliances.ca/connected-appliances** or call 800.220.6899

Parts and Accessories

Individuals qualified to service their own appliances can have parts or accessories sent directly to their homes (VISA, MasterCard and Discover cards are accepted). Order on-line today 24 hours every day.

In the US: **GEApplianceparts.com** or by phone at 877.959.8688 during normal business hours.

In Canada: **GEAppliances.ca/parts-filters-accessories** or call 800.661.1616.

Instructions contained in this manual cover procedures to be performed by any user. Other servicing generally should be referred to qualified service personnel. Caution must be exercised, since improper servicing may cause unsafe operation.

Contact Us

If you are not satisfied with the service you receive from GE Appliances, contact us on our Website with all the details including your phone number, or write to:

In the US: General Manager, Customer Relations | GE Appliances, Appliance Park | Louisville, KY 40225
GEAppliances.com/contact or call 800.626.2000

In Canada: Director, Customer Relations | MC Commercial Inc. | Suite 300, 5420 North Service Road | Burlington, ON L7L 6C7
GEAppliances.ca/contact-us or call 877.994.5366



[®]**DISPOSALL** Broyeur de déchets alimentaires

CONSIGNES DE SÉCURITÉ 3
UTILISATION DU BROYEUR 4
ENTRETIEN ET NETTOYAGE ... 4
**INSTRUCTIONS
D'INSTALLATION** 5
CONSEILS DE DÉPANNAGE ... 12
GARANTIE LIMITÉE 13
SERVICE À LA CLIENTÈLE 14

GUIDE DE L'UTILISATEUR ET INSTRUCTION D'INSTALLATION

GFC365
GFC565
GFC765
GFC1065

Inscrivez ici les numéros
de modèle et de série :

Modèle # _____

Série # _____

Vous pouvez les trouver sur une
étiquette au bas du broyeur.

NOUS VOUS REMERCIONS D'ACCUEILLIR GE APPLIANCES CHEZ VOUS

Que vous ayez grandi avec GE Appliances ou qu'il s'agisse de votre première acquisition, nous sommes heureux de vous accueillir dans notre famille.

Nous sommes fiers du savoir-faire, de l'innovation et de l'esthétique qui composent chaque appareil GE Appliances, et nous pensons que vous le serez aussi. Dans cette optique, nous vous rappelons que l'enregistrement de votre électroménager vous assure la communication de renseignements importants sur le produit et la garantie lorsque vous en avez besoin.

Enregistrez votre électroménager GE en ligne dès maintenant. Des sites Web et des numéros de téléphone utiles figurent dans la section Soutien au consommateur de ce manuel d'utilisation. Vous pouvez aussi poster la fiche de garantie préimprimée incluse dans l'emballage.



GE APPLIANCES

CONSIGNES DE SÉCURITÉ IMPORTANTES

LIRE TOUTES LES CONSIGNES AVANT D'UTILISER L'APPAREIL

⚠ AVERTISSEMENT Pour votre sécurité, veuillez suivre les directives données dans le présent manuel afin de réduire au minimum les risques d'incendie, d'explosion et de chocs électriques et prévenir tout dommage et blessure grave ou mortelle.

⚠ AVERTISSEMENT LORS DE L'UTILISATION D'APPAREILS ÉLECTRIQUES, RESPECTEZ LES PRÉCAUTIONS ÉLÉMENTAIRES DE SÉCURITÉ, NOTAMMENT :

- N'utilisez cet appareil que dans le but décrit par le présent guide d'utilisation.
- Lisez l'ensemble des instructions avant d'utiliser l'appareil.
- Afin de réduire le risque de blessure, une surveillance étroite est requise lorsque le broyeur est utilisé à proximité d'enfants.
- Ne placez pas les doigts ou les mains dans le broyeur de déchets.
- Éteignez l'appareil avant de tenter de déboucher le broyeur ou d'en retirer un objet.
- Lorsque vous tentez de déboucher le broyeur de déchets, utilisez un objet long et en bois, comme une cuillère en bois ou un manche à balai en bois.
- Pour tenter de retirer des objets du broyeur de déchets, utilisez de longues pinces. Si le broyeur est magnétisé, utilisez des outils amagnétiques.
- Pour réduire les risques de blessure provoquée par l'expulsion de matériaux du broyeur de déchets, ne jetez pas les déchets suivants dans le broyeur :
 - a. coquilles d'huîtres ou de myes;
 - b. produits de débouchage caustiques ou similaires;
 - c. verre, porcelaine ou plastique;
 - d. gros os entiers;
 - e. métal, par exemple : boîtes de conserve, canettes, ustensiles ou papier aluminium;
 - f. huile chaude ou autres liquides chauds;
 - g. épis de maïs entiers.
- Lorsque vous n'utilisez pas le broyeur, laissez le bouchon du drain en place pour éviter d'y faire tomber des objets.
- Consultez les instructions détaillées de mise à la terre à la section **BRANCHEMENTS ÉLECTRIQUES** du présent guide.

BRANCHEMENTS ÉLECTRIQUES

Si vous n'êtes pas à l'aise avec les procédures et connexions électriques, faites appel à un électricien qualifié.

⚠ AVERTISSEMENT Une connexion erronée du connecteur de mise à la terre de l'appareil peut entraîner des risques d'électrocution. Consultez un électricien qualifié en cas de doute sur la mise à la terre de l'appareil. N'altérez pas la prise fournie avec l'appareil si elle ne correspond pas à la prise murale. Le cas échéant, faites installer une prise murale adaptée par un électricien qualifié.

Pour les modèles équipés d'un câble de mise à la terre :

INSTRUCTIONS DE MISE À LA TERRE : Ce broyeur de déchets doit être mis à la terre afin de réduire le risque de décharge électrique dans l'éventualité d'une défectuosité ou d'une panne. La mise à la terre procure un trajet de moindre résistance pour le courant électrique. Ce broyeur est équipé d'un cordon doté d'un conducteur de terre et d'une fiche de terre. La fiche doit être branchée dans une prise correctement installée et mise à la terre en conformité avec les codes et règlements locaux.

Mise au rebut adéquate de votre électroménager

- Veuillez jeter ou recycler votre électroménager conformément aux règlements fédéraux ou locaux. Communiquez avec les instances locales pour en savoir plus sur la mise au rebut ou le recyclage de votre électroménager.
- Considérez les options de recyclage des matériaux d'emballage de votre électroménager.

LIRE ET CONSERVEZ CES DIRECTIVES

Utilisation du broyeur / Entretien et nettoyage

LIRE TOUTES LES CONSIGNES DE SÉCURITÉ AVANT D'UTILISER CE BROYEUR.

Ce broyeur utilise des roues pivotantes anti-blocage qui émettent un clic lorsqu'ils se mettent en place. Cela indique un fonctionnement normal.

- A. Retirer le bouchon de l'évier et faire couler de l'eau froide avec un débit moyen.
- B. Mettre l'interrupteur en position ON (Marche).
- C. Racler les déchets alimentaires. Pour accélérer l'élimination des déchets alimentaires, couper ou briser les gros os, croûtes et épis. Les gros os et les coques fibreuses nécessitent un temps de broyage considérable et sont plus facilement jetés avec d'autres déchets. Ne pas s'inquiéter lorsque le broyeur ralentit pendant le broyage. Cela arrive parce que le broyeur augmente le couple (puissance de meulage) et fonctionne dans des conditions normales.
- D. Avant d'éteindre le broyeur, laisser l'eau couler et le broyeur fonctionner pendant environ 25 secondes après les arrêts de déchetage. Cela permet de s'assurer que tous les déchets sont complètement évacués à travers le siphon et le drain.
- E. Ne pas utiliser d'eau chaude pendant le fonctionnement du broyeur. L'eau froide gardera les déchets alimentaires et les matières grasses solides afin qu'ils puissent être évacués.

Conseils utiles

- A. Assurez-vous que le broyeur est vide avant d'utiliser le lave-vaisselle afin qu'il puisse s'égoutter correctement.
- B. Vous pouvez laisser le bouchon dans le drain lorsqu'il n'est pas utilisé pour empêcher les ustensiles et les corps étrangers de tomber dans le broyeur.
- C. Le broyeur est conçu pour vous offrir des années et des années de service sans problème. Il traitera tous les déchets alimentaires normaux, MAIS il ne broiera et n'éliminera pas des articles comme des boîtes de conserve, des bouteilles et des bouchons de bouteilles, du verre, de la porcelaine, du cuir, du tissu, de la vaisselle, du caoutchouc, de la ficelle, des plumes, des coquilles de palourdes ou d'huîtres. Ces types de déchets qui doivent être mis dans la poubelle ou le compacteur à déchets.
- D. POUR ACCÉLÉRER L'ÉLIMINATION DES DÉCHETS ALIMENTAIRES : Couper ou casser les gros os, croûtes de melon, pelures de pamplemousse et les épis de maïs. Les objets comme les gros os, les coques fibreuses comme les gousses des haricots de Lima et les feuilles de maïs exigent un temps de coupe considérable. Pour cette raison, si vous le désirez, vous pouvez les mettre dans la poubelle ou le compacteur à déchets.

Entretien et nettoyage

LE MOTEUR EST LUBRIFIÉ EN PERMANENCE. NE PAS TENTER DE LUBRIFIER VOTRE BROYEUR.

Le broyeur est autonettoyant et se nettoie automatiquement à chaque utilisation.

- NE JAMAIS mettre de la lessive ou de produits de nettoyage chimiques dans le broyeur, car ils causent une corrosion grave des pièces métalliques.
- Votre broyeur est muni d'un pare-éclaboussures amovible pour faciliter le nettoyage ou le remplacement. Retirer le pare-éclaboussures en le tirant du haut. Pour le remplacer, l'insérer dans la bride de l'évier et le pousser vers le bas jusqu'à ce qu'il soit correctement installé.
- Si une odeur se dégage, mettre des écorces d'orange ou de citron dans le broyeur. Vous pouvez également utiliser une douzaine de glaçons saupoudrés d'un peu de poudre à récurer.

Instructions d'installation

BROYEUR

Des questions? Appelez le 800.561.3344 ou Visitez notre site Web à l'adresse : www.electromenagersge.ca

AVANT DE COMMENCER

Lisez attentivement ces instructions, dans leur intégralité.

POUR VOTRE SÉCURITÉ

Veuillez lire et observer toutes les mises en garde **AVERTISSEMENT** et **ATTENTION** données dans les présentes directives.

Pour effectuer l'installation décrite dans les présentes directives, il faut porter des gants ou des lunettes de sécurité.

IMPORTANT – Respectez toutes les normes et réglementations en vigueur.

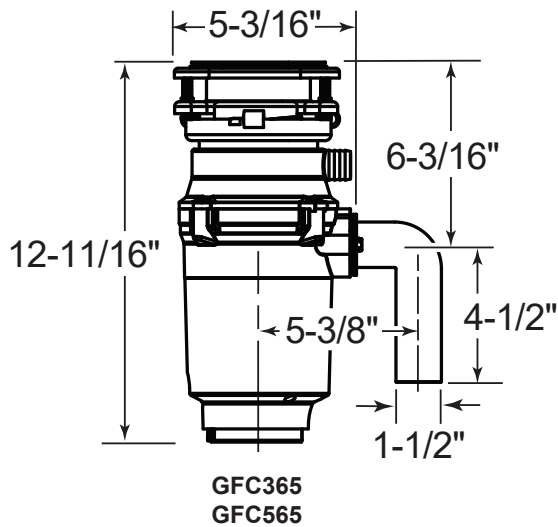
- Conservez les présentes instructions à l'attention de l'inspecteur local.
- **Remarque à l'installateur** : Assurez-vous de fournir les présentes instructions à l'utilisateur.
- **Remarque à l'utilisateur** : Conservez les présentes instructions pour pouvoir vous y reporter ultérieurement.
- **Niveau de compétence** : L'installation de cet appareil requiert des compétences mécaniques de base.
- La conformité de l'installation relève de la responsabilité de l'installateur.

⚠ AVERTISSEMENT

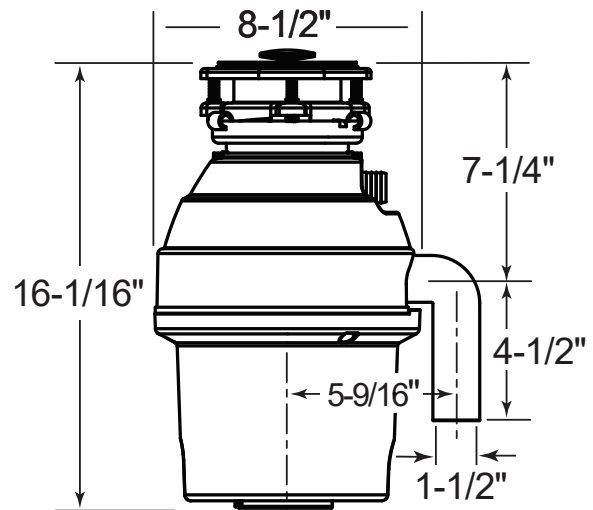
- **POUR VOTRE SÉCURITÉ PERSONNELLE**: Enlevez le fusible ou déclenchez le disjoncteur au panneau de distribution principal avant de commencer l'installation. N'utilisez pas une rallonge électrique ou un adaptateur de fiche avec cet appareil.
 - **POUR VOTRE SÉCURITÉ PERSONNELLE** : Ne placez pas votre tête ou votre corps en dessous du broyeur; celui-ci pourrait tomber pendant son retrait ou son installation.
 - Un branchement inadéquat du conducteur de mise à la terre peut présenter des risques de choc électrique. Si vous n'êtes pas certain que l'appareil est correctement mis à la terre, consultez un réparateur ou un électricien qualifié.
 - Si le câblage électrique de la résidence n'est pas constitué de deux fils plus un fil de mise à la terre, l'installateur doit installer un fil de mise à la terre. Si le câblage électrique de la résidence est en aluminium, utilisez un agent antioxydant et des connecteurs pour raccords «aluminium-cuivre» homologués UL.
- Les défaillances du produit provoquées par une installation incorrecte ne sont pas couvertes par la garantie.

Instructions d'installation

DIMENSIONS



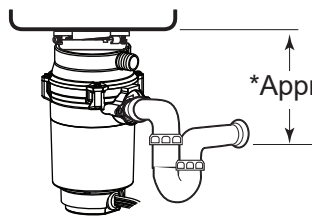
GFC365
GFC565



GFC765
GFC1065

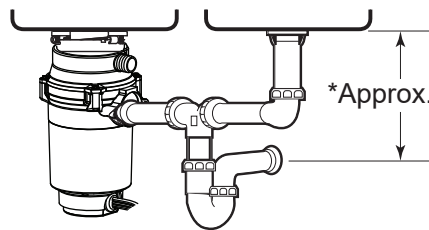
QUELQUES INSTALLATIONS TYPIQUES

CUVE SIMPLE



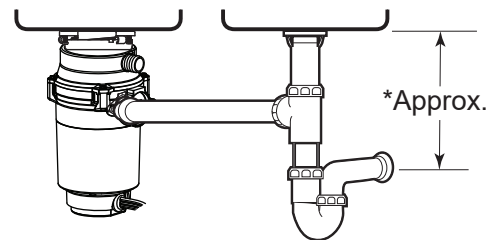
*Approx.

CUVE DOUBLE
SORTIE CENTRALE**



*Approx.

CUVE DOUBLE SORTIE
D'EXTRÉMITÉ**

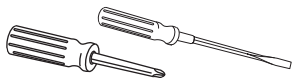


*Approx.

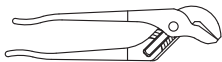
*Il est essentiel pour le bon fonctionnement du broyeur que cette dimension soit de 9 à 12 po afin d'éviter l'eau stagnante dans le boîtier du moteur du broyeur.

**Un tuyau de vidange flexible peut être nécessaire pour cette application.

MATÉRIAUX NÉCESSAIRES



- Tournevis à lame plate et cruciforme



- Pince multiprise ordinaire, joint coulissant



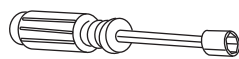
- Scie à métaux



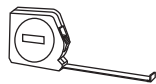
- Lampe de poche



- Marteau



- Tournevis à douille



- Ruban à mesurer



- Savon liquide (ou gelée de pétrole)



- Couteau à mastic



- Mastic de plomberie



- Lunettes de sécurité



- Gants

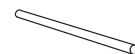
Nécessaire seulement si raccordement à un lave-vaisselle :



- Bride(s) pour flexible



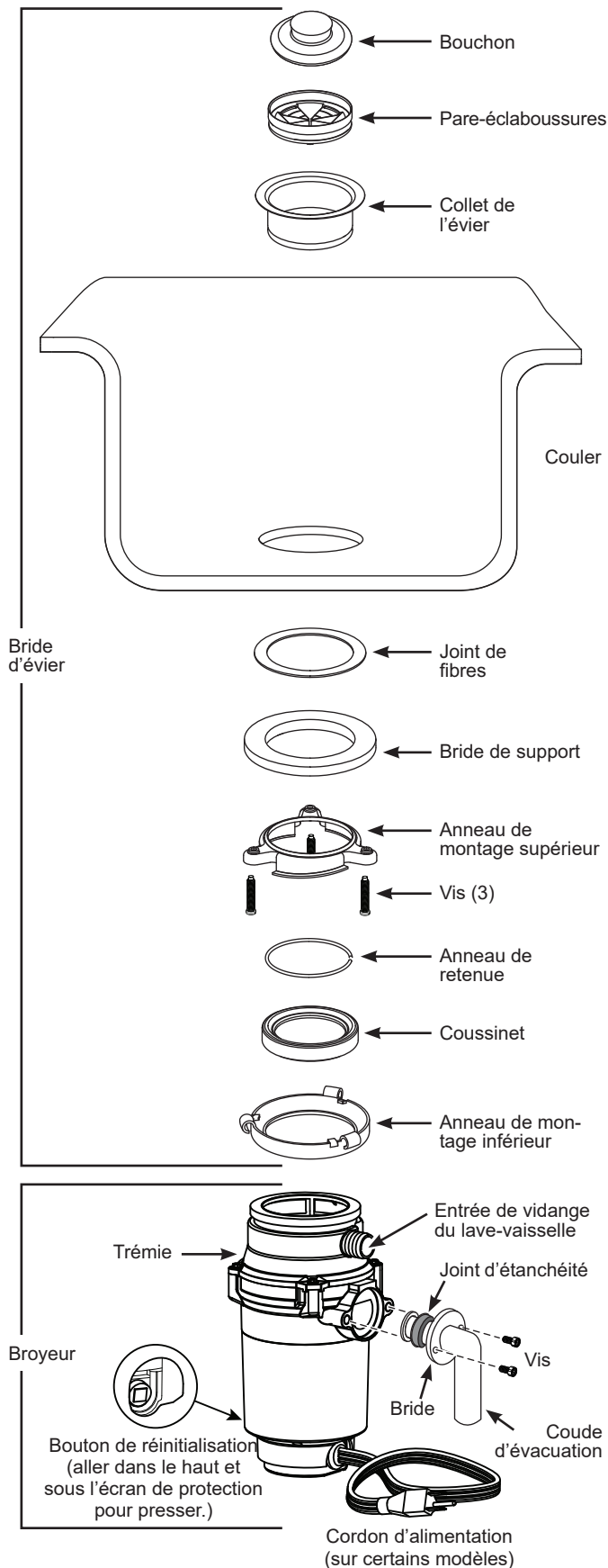
- Flexible d'évacuation



- Cheville de bois ou poinçon d'acier

Instructions d'installation

COMPOSANTS



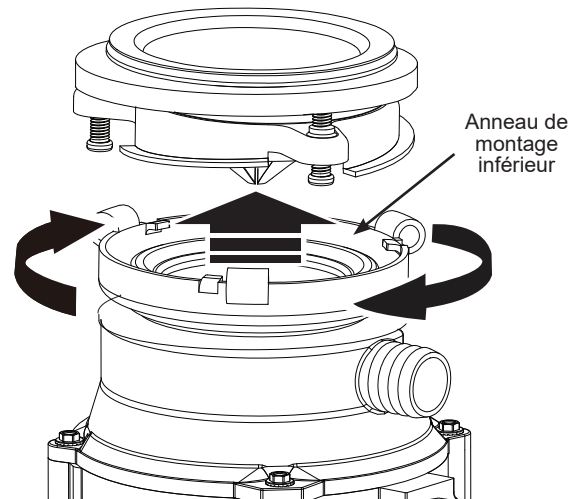
PRÉPARATION

1. Débrancher l'alimentation électrique du broyeur.
2. Retirer l'ancien broyeur ou la bride de l'évier.
3. Inspecter la conduite de vidange. S'il est fortement recouvert de graisse durcie et de matières accumulées, le déboucher avec un serpent de plombier.
4. Retirer les anciens matériaux d'étanchéité et de joint de l'ouverture de l'évier, en haut et en bas.

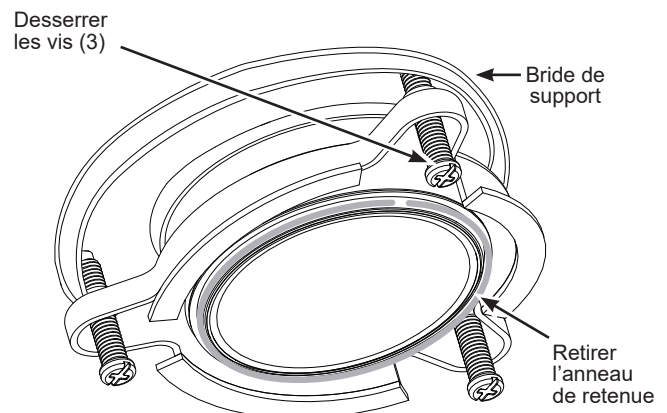
REMARQUE : Les surfaces supérieure et inférieure de l'évier doivent être propres, sèches et exemptes de résidus afin de prévenir les fuites.

DÉMONTER POUR INSTALLER

1. Tournez l'anneau de montage dans le sens des aiguilles jusqu'à ce qu'il se dégage et soulevez l'assemblage en entier pour le sortir du broyeur à déchets.



2. Desserrez les trois vis de l'anneau de montage supérieur et glissez celui-ci vers la bride de support.

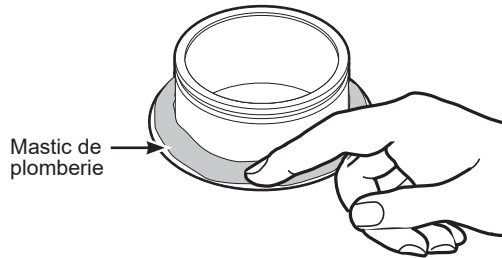


3. Insérez un tournevis à lame plate sous l'anneau de retenue et retirez celui-ci.
4. Séparez l'anneau de montage supérieur et la bride de support du collet de l'évier.

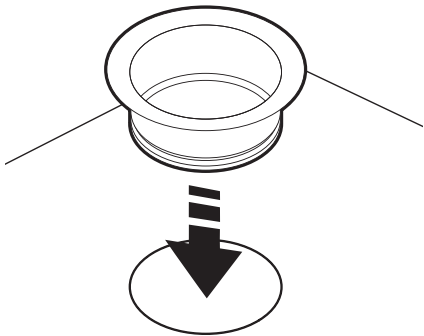
Instructions d'installation

INSTALLER LE COLLET DE L'ÉVIER

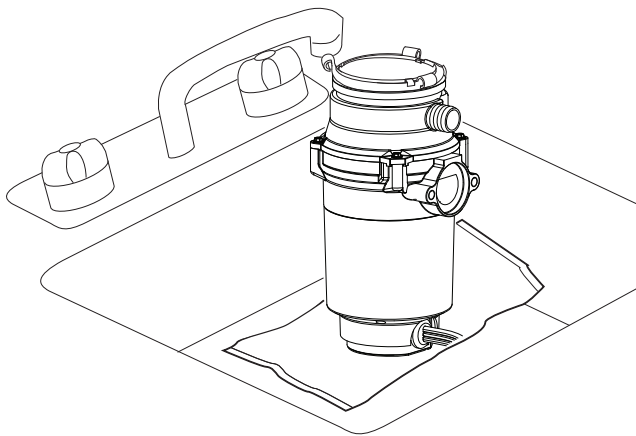
1. Roulez du mastic de plomberie en un cordon de 3/8 po d'épaisseur, retournez le collet d'évier à l'envers et appliquez le mastic autour du bas du collet.



2. Installez le collet dans l'orifice de l'évier en le pressant fermement et retirant l'excès de mastic.

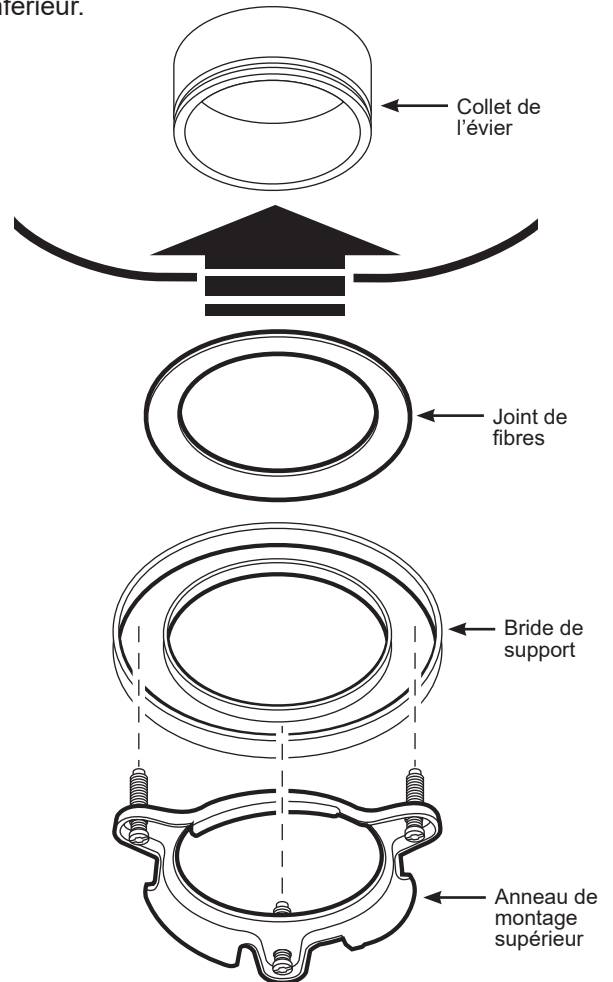


3. Placez une serviette sur le fond de l'évier et le collet, et mettez du poids sur le collet pour le maintenir en place tandis que vous ajoutez les autres composants du montage.

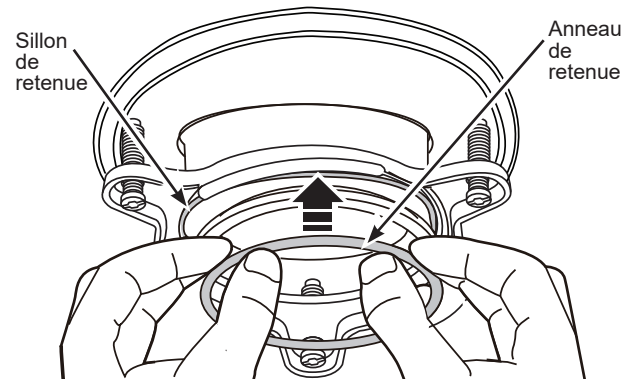


INSTALLER LA QUINCAILLERIE DE MONTAGE DU DESSOUS D'ÉVIER

1. Assemblez le joint de fibres, la bride de support et l'anneau de montage supérieur sur le collet d'évier inférieur.



Fixez l'assemblage sur le collet d'évier en insérant l'anneau de retenue dans le sillon de retenue du collet.

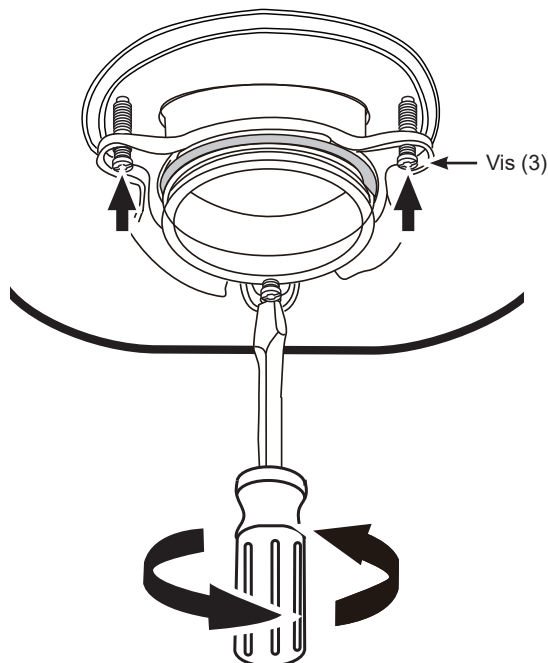


IMPORTANT : Assurez-vous que l'anneau de retenue est bien fixé dans le sillon. Pour que le broyeur puisse être installé correctement, il est essentiel que l'anneau de retenue soit solidement fixé dans le sillon de retenue en immobilisant ainsi les pièces assemblées dans leur position.

Instructions d'installation

INSTALLER LA QUINCAILLERIE DE MONTAGE DU DESSOUS D'ÉVIER

2. Serrez les trois vis de l'anneau de montage supérieur dans la bride de support.

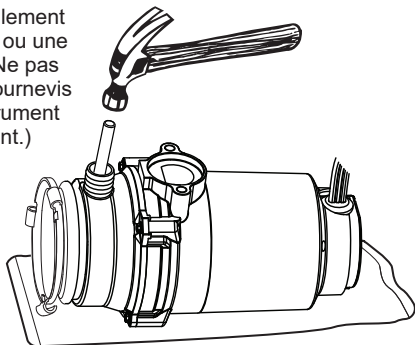


POUR RACCORDEMENT AU LAVE-VAISSELLE

Si vous raccordez le broyeur à un lave-vaisselle, complétez cette étape. S'il n'y a pas de raccordement au lave-vaisselle, allez à la section **POSER LE COUDE D'ÉVACUATION** et poursuivez.

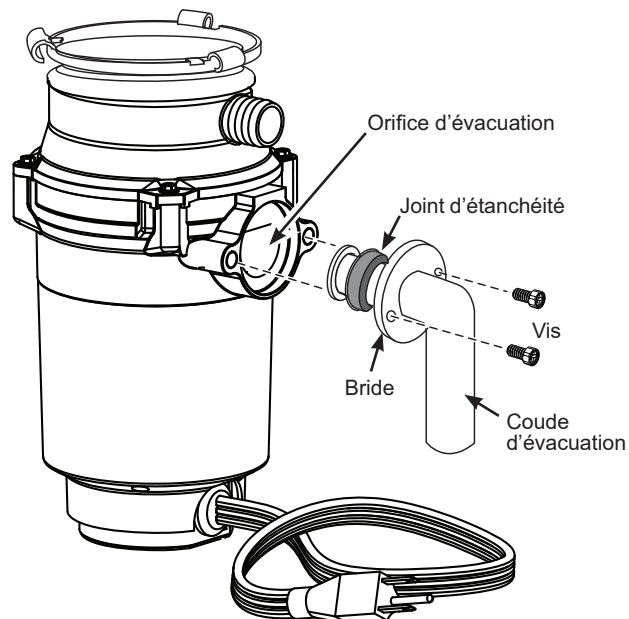
- Déposez le broyeur sur le plancher. Placez-le sur le côté sur une surface protégée. Utilisez un instrument non tranchant (poinçon d'acier ou cheville de bois) pour défoncer le bouchon d'évacuation du lave-vaisselle en entier. N'utilisez pas un tournevis ou un instrument coupant. Lorsque le bouchon tombe dans le broyeur, vous pouvez le retirer ou simplement le broyer lors de l'utilisation du broyeur. Cela ne va pas endommager le broyeur, mais il faudra peut-être plusieurs utilisations pour broyer complètement le bouchon.

Utiliser seulement un poinçon ou une cheville. (Ne pas utiliser un tournevis ou un instrument tranchant.)



POSER LE COUDE D'ÉVACUATION

- Glissez la bride puis le joint d'étanchéité sur le coude d'évacuation. Insérez le coude et le joint d'étanchéité dans l'orifice d'évacuation du broyeur et fixez l'assemblage de la bride sur le broyeur à l'aide des deux vis.



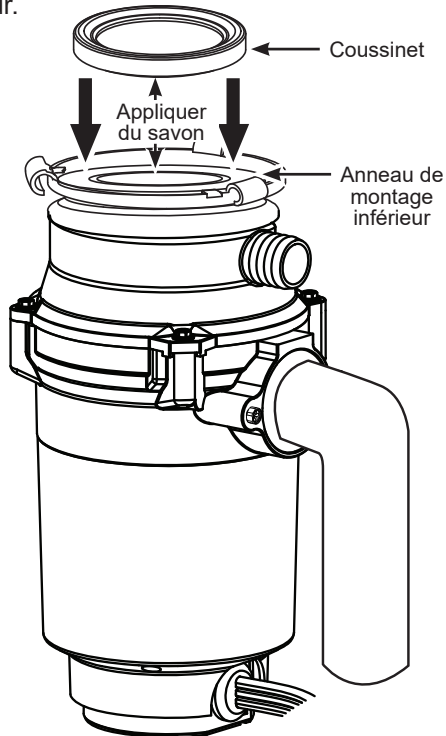
REMARQUE : Certaines installations peuvent nécessiter un raccordement par tuyau d'évacuation droit ou flexible. Consultez un plombier agréé au besoin.

Instructions d'installation

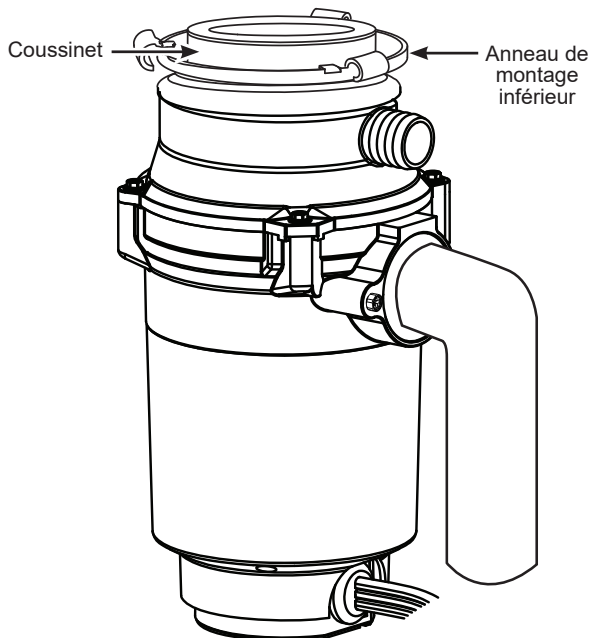
MONTER LE BROYEUR

IMPORTANT : Avant d'exécuter cette étape, lisez-la en entier afin de comprendre la façon dont le broyeur est monté.

1. Appliquez une petite quantité de savon liquide (ou de gelée de pétrole) sur le bas du coussinet et le bas de l'anneau de montage inférieur afin de faciliter le glissement et la rotation sur l'anneau de montage supérieur.

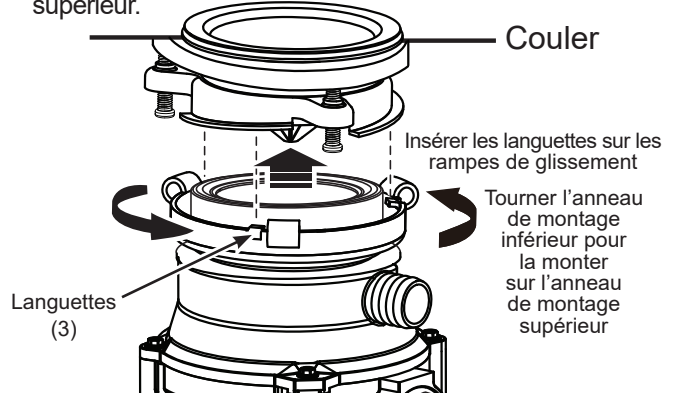


2. Placez le coussinet sur l'anneau supérieur du broyeur.

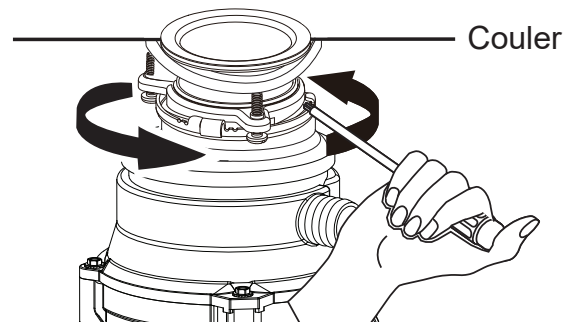


MONTER LE BROYEUR (SUITE)

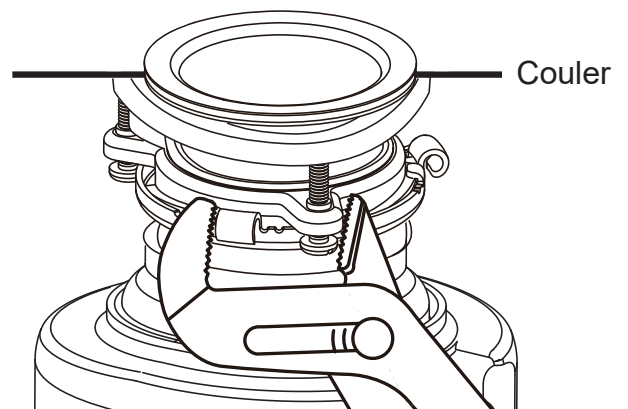
3. Soulevez et appuyez le broyeur en place sur l'anneau de montage supérieur. Montez-le en tournant l'anneau de montage inférieur jusqu'à ce que les languettes s'insèrent sur les rampes de glissement de l'anneau de montage supérieur.



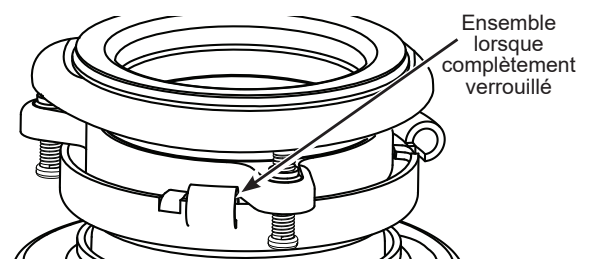
Insérez un tournevis dans un crochet inférieur et poussez celui-ci en place dans le sens contraire des aiguilles.



Utilisez une pince multiprise ordinaire pour verrouiller complètement les languettes de l'anneau de montage inférieur sur les rampes de glissement supérieures.



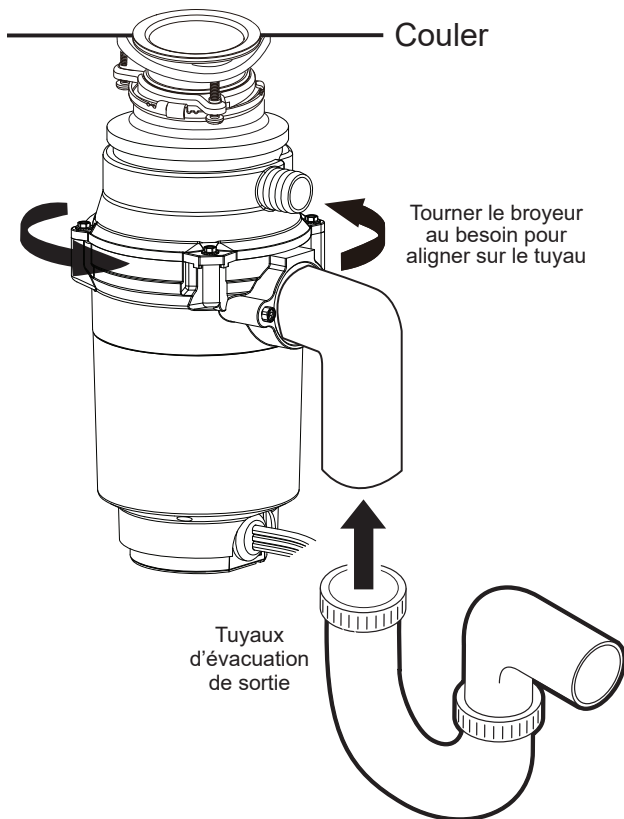
Illustré complètement verrouillé :



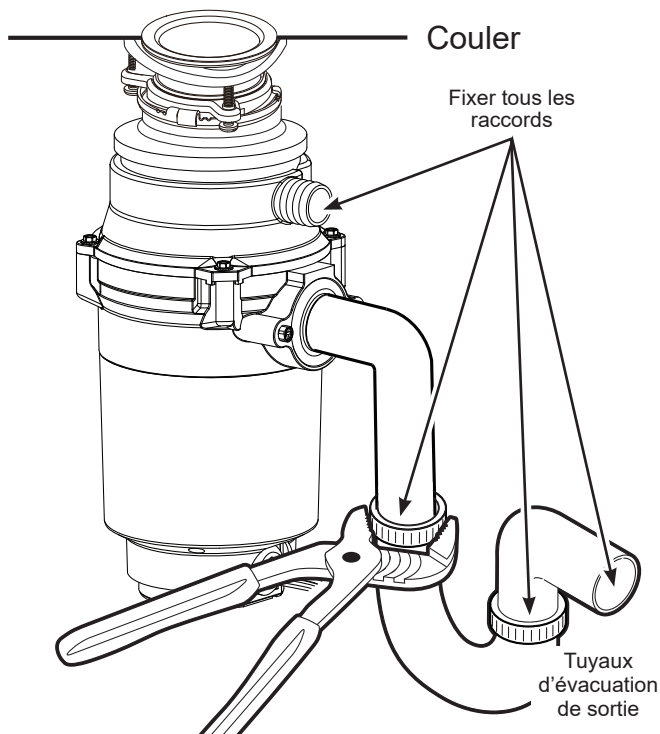
Instructions d'installation

RACCORDER LA PLOMBERIE

1. Tournez le broyeur jusqu'à ce que le coude d'évacuation s'aligne sur le tuyau d'évacuation de sortie.

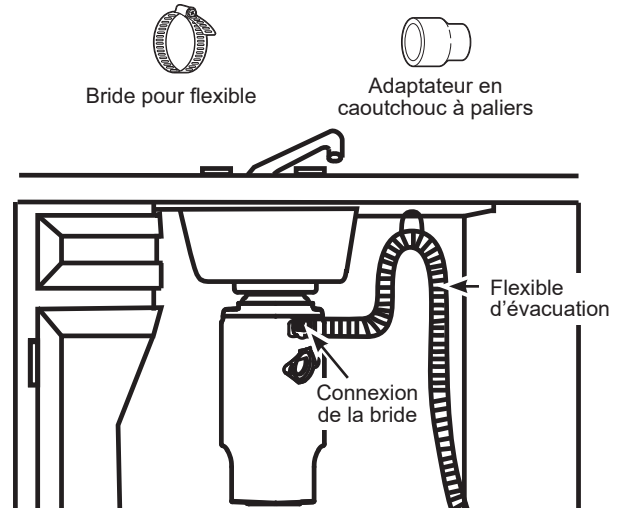


2. Raccordez solidement toute la tuyauterie, y compris le tuyau d'évacuation et le drain du lave-vaisselle (si utilisé), en observant tous les codes et règlements.



SI RACCORDEMENT AU LAVE-VAISSELLE

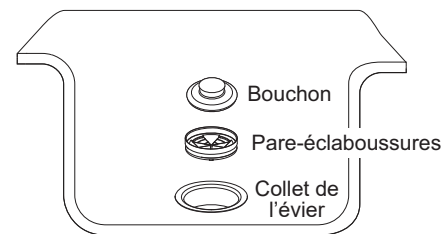
- Raccorder le tuyau d'évacuation flexible à la décharge du lave-vaisselle à l'aide d'un collier de serrage. Si la taille du tuyau est différente, vous aurez besoin d'un adaptateur en caoutchouc à paliers.



Voyez les instructions d'installation qui accompagnent votre lave-vaisselle pour les détails.

INSTALLER LE PARE-ÉCLABOUSSURES ET LE BOUCHON D'ÉVIER

- Pressez le pare-éclaboussures en place dans le collet d'évier. Insérez le bouchon dans le pare-éclaboussures.



REMARQUE : On peut retirer et nettoyer autant le pare-éclaboussures que le bouchon d'évier au besoin.

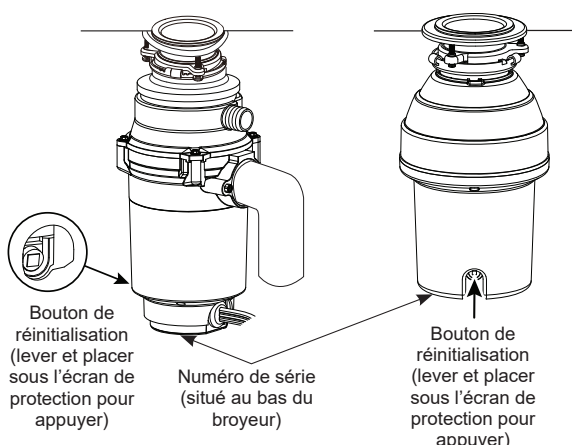
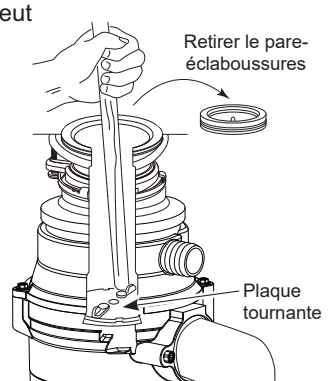
BRANCHER L'ALIMENTATION ÉLECTRIQUE ET TESTER L'ABSENCE DE FUITES

- Brancher le broyeur dans une prise électrique correctement installée et mise à la terre conformément à tous les codes et règlements locaux.
- Faites circuler de l'eau pour vérifier l'absence de fuites dans le broyeur 24 heures après l'installation et le premier fonctionnement.
- Conservez et consultez ce manuel d'utilisation pour un fonctionnement et un entretien appropriés de ce broyeur à déchets.

Conseils de Dépannage...Avant d'appeler un réparateur

REMARQUE RELATIVE À LA SÉCURITÉ : Avant de manipuler le broyeur pour rechercher une panne, débranchez toujours l'alimentation.

⚠ AVERTISSEMENT Avant la réinitialisation, débranchez l'alimentation. Voir la **REMARQUE RELATIVE À LA SÉCURITÉ** ci-dessus. Le contrôle de surcharge protège le moteur des opérations impliquant une surcharge. Cette fonctionnalité protège à la fois votre installation électrique et votre broyeur. En cas de surcharge, le moteur s'arrête automatiquement.

Problème	Causes possibles	Correctifs
Bruits forts (autres que ceux pendant le broyage des os et des piqûres de fruits)	Des couverts en argent, un bouchon de bouteille ou un autre objet étranger est tombé dans le broyeur.	Retirer le pare-éclaboussures et retirer l'objet avec des pinces à long manche Remplacer le pare-éclaboussures.
Le broyeur ne démarre pas	Le bouton de réinitialisation a été déclenché 	Une fois le pare-éclaboussures retiré, vérifier si la plaque tournante se déplace librement à l'aide d'une poignée de balai. Si la plaque tournante se déplace librement, remplacer le pare-éclaboussures et vérifier si le bouton de réinitialisation a été déclenché. Le bouton de réinitialisation est rouge, situé à l'opposé du coude de décharge, près de la partie inférieure du broyeur, derrière son écran de protection. Lever et placer sous l'écran de protection et appuyer sur le bouton jusqu'à ce qu'il s'enclenche et reste enfoncé. Si le bouton de réinitialisation n'a pas été activé, vérifier s'il n'y a pas de fil court-circuité ou brisé relié au broyeur. Vérifier l'interrupteur d'alimentation électrique, le boîtier à fusibles ou le disjoncteur. Si le câblage et les composants électriques sont intacts, l'appareil peut avoir des problèmes internes qui nécessitent une intervention pour entretien ou un remplacement.
	La plaque tournante ne peut pas tourner 	Si la plaque tournante ne tourne pas librement, vérifier si un objet est logé entre la plaque tournante et l'anneau de broyage. Déloger l'objet en déplaçant la plaque tournante à l'aide d'une poignée de balai. Retirer ensuite l'objet. S'il n'y a pas de corps étranger, il peut y avoir des problèmes internes.
Fuites au niveau du broyeur	Si la fuite se trouve en haut, elle peut être causée par ce qui suit : <ol style="list-style-type: none"> 1. Fixation incorrecte de la bride de l'évier (choix du joint, mastic ou serrage). 2. Bague de support mal serrée. 3. Support à coussin défectueux. Si la fuite se trouve au niveau du coude de décharge, elle peut être due à un mauvais serrage des vis de la bride du coude.	

Garantie limitée de GE Appliances

www.electromenagersge.ca

Toutes les réparations sous garantie limitée seront effectuées par nos centres de réparation ou nos réparateurs autorisés. Pour planifier un service en ligne, rendez-vous sur Electromenagersge.ca/fr/soutien/demande-de-service ou appelez le **800.561.3344**. Veuillez fournir le numéro de série et le numéro de modèle lorsque vous appelez pour obtenir le service.

Pendant la période de	Nous remplacerons
Un an À compter de la date d'achat d'origine	Le broyeur complet s'il y a un défaut dans les matériaux ou la fabrication se rapportant aux pièces fonctionnelles seulement (les pièces d'apparence identique sont exclues). Au cours de cette garantie limitée d'un an , GE Appliances fournira également, gratuitement , tous les frais de main-d'œuvre liés au remplacement du broyeur ainsi que le broyeur de remplacement au cours de la première année.
Une année de plus À compter de la date d'achat d'origine	Modèles GFC565 : S'il y a un défaut dans les matériaux ou la fabrication se rapportant aux pièces fonctionnelles seulement (les pièces d'apparence identique sont exclues). Pendant la période de garantie limitée prolongée d'un an , vous serez responsable de tous les frais d'installation liés au broyeur de remplacement.
Quatre ans de plus À compter de la date d'achat d'origine	Modèles GFC765 : S'il y a un défaut dans les matériaux ou la fabrication se rapportant aux pièces fonctionnelles seulement (les pièces d'apparence identique sont exclues). Pendant la période de garantie limitée prolongée de quatre ans , vous serez responsable de tous les frais d'installation liés au broyeur de remplacement.
Six ans de plus À compter de la date d'achat d'origine	Modèle GFC1065 : S'il y a un défaut dans les matériaux ou la fabrication se rapportant aux pièces fonctionnelles seulement (les pièces d'apparence identique sont exclues). Pendant la période de garantie limitée prolongée de six ans , vous serez responsable de tous les frais d'installation liés au broyeur de remplacement.

Ce qui n'est pas couvert :

- Toute visite à votre domicile pour vous expliquer le fonctionnement de l'appareil.
- L'installation, la livraison ou l'entretien inadéquats de l'appareil.
- Toute défectuosité du produit attribuable à une utilisation abusive ou inadéquate, s'il a été utilisé à toute autre fin que celle pour laquelle il a été conçu, ou s'il a été utilisé à des fins commerciales.
- Le remplacement des fusibles ou le réenclenchement des disjoncteurs de votre domicile.
- Les produits qui ne sont pas défectueux ou brisés, ou qui fonctionnent tel que décrit dans le Manuel de l'utilisateur.
- Tout dommage au produit attribuable à un accident, un incendie, une inondation ou une catastrophe naturelle.
- Tout dommage accessoire ou indirect, causé par des défaillances possibles de l'appareil.
- Les défectuosités ou les dommages causés par une utilisation de l'appareil à des températures situées sous le point de congélation.
- Tout dommage causé après la livraison.
- Tout produit auquel il n'est pas possible d'accéder pour effectuer les réparations nécessaires.

EXCLUSION DES GARANTIES IMPLICITES :

Votre seul et unique recours est de faire réparer le produit dans le cadre de cette garantie limitée. Toute garantie implicite, incluant la garantie de qualité marchande ou d'adaptabilité du produit à un usage particulier, est limitée à un an ou à la période la plus courte autorisée par la loi.

Cette garantie limitée est offerte à l'acheteur initial, ainsi qu'à tout propriétaire subséquent d'un produit acheté au Canada en vue d'une utilisation domestique au Canada. Si le produit se situe dans une zone où aucun réparateur agréé par GE Appliances n'est disponible, vous devrez peut-être assumer les frais de déplacement de celui-ci ou apporter le produit à un atelier de réparation agréé par GE Appliances.

Dans certains États ou province, il est interdit d'exclure ou de limiter les dommages indirects ou accessoires. Il est alors possible que les limitations ou exclusions ci-dessus ne s'appliquent pas dans votre cas. La présente garantie limitée vous confère des droits juridiques spécifiques. Vous pouvez bénéficier d'autres droits, qui varient d'un État ou d'une province à l'autre. Pour connaître les droits dont vous bénéficiez, communiquez avec le bureau des Relations avec les consommateurs de votre région ou de votre province.

Garant : MC Commercial Inc., Burlington, ON, L7R 5B6

GARANTIE LIMITÉE

Agrafez le reçu d'achat ici. Pour obtenir le service sous garantie, vous devez fournir la preuve de l'achat original.

Soutien au consommateur

Site Web de GE Appliances

Vous avez une question ou vous avez besoin d'aide pour votre appareil électroménager? Visitez le site Web de GE Appliances 24 heures par jour, tous les jours de l'année! Vous pouvez aussi y trouver d'autres formidables produits GE Appliances et tirer avantage de tous nos services d'assistance en ligne. Au Canada : **ElectromenagersGE.ca/fr**

Enregistrez votre électroménager

Enregistrez votre nouvel appareil en ligne au moment qui vous convient le mieux! L'enregistrement de votre produit dans les délais prescrits permet une meilleure communication et un service rapide, selon les modalités de votre garantie, si besoin est. Vous pouvez également envoyer par courrier la carte d'enregistrement pré-imprimée qui se trouve dans l'emballage de votre appareil.

Au Canada : **electromenagersge.ca/soutien-apres-vente**

Service de réparation

Un service de réparation expert GE Appliances se trouve à quelques pas de chez vous. Rendez-vous sur notre site et programmez, à votre convenance, une visite de réparation à n'importe quel jour de l'année.

Au Canada : **electromenagersge.ca/soutien-apres-vente** ou composez le 800.561.3344

Prolongation de garantie

Procurez-vous une prolongation de garantie GE Appliances et informez-vous des rabais spéciaux en vigueur pendant la durée de votre garantie. Vous pouvez vous la procurer en ligne en tout temps. Les services GE Appliances seront toujours disponibles après l'expiration de la garantie.

Au Canada : **electromenagersge.ca/achat-dune-garantie-prolongee** ou composez le 866.277.9842.

Connectivité à distance

Pour de l'assistance concernant la connectivité au réseau sans fil (pour les modèles équipés de cette fonction), visitez notre site Web au **electromenagersge.ca/connected-appliances** ou composez le 800.220.6899.

Pièces et accessoires

Les personnes ayant les compétences requises pour réparer elles-mêmes leurs appareils peuvent recevoir directement à la maison des pièces ou accessoires (les cartes VISA, MasterCard et Discover sont acceptées). Commandez en ligne 24 heures par jour.

Au Canada : **electromenagersge.ca/pièces-filtres-et-accessoires** ou composer le 800.661.1616.

Les instructions contenues dans le présent manuel comportent des procédures que tout utilisateur peut effectuer. Les autres types de réparation doivent généralement être confiés à un technicien qualifié. Utilisez de prudence : une réparation ou un entretien mal effectués peuvent rendre l'utilisation de l'appareil dangereuse.

Communiquez avec nous

Si vous n'êtes pas satisfait du service après-vente de GE Appliances, communiquez avec nous depuis notre site Web en fournissant tous les détails dont votre numéro de téléphone, ou écrivez à :

Au Canada : Director, Customer Relations | MC Commercial Inc. | Suite 300, 5420 North Service Road | Burlington, ON L7L 6C7
electromenagersge.ca/contactez-nous ou composer le 877.994.5366



DISPOSALL®

Triturador de residuos de comida

- INFORMACIÓN DE SEGURIDAD**3
- USO DEL TRITURADOR**.....4
- CUIDADO Y LIMPIEZA**4
- INSTRUCCIONES DE INSTALACIÓN**.....5
- CONSEJOS PARA SOLUCIÓN DE PROBLEMAS**12
- GARANTÍA LIMITADA**.....13
- SOPORTE AL CLIENTE**.....14

MANUAL DEL PROPIETARIO E INSTRUCCIONES DE INSTALACIÓN

GFC365
GFC565
GFC765
GFC1065

Escriba aquí los números de modelo y serie:

Modelo # _____

Serie # _____

Se los encuentra en una etiqueta en la parte inferior del triturador.

GRACIAS POR HACER QUE GE APPLIANCES SEA PARTE DE SU HOGAR.

Ya sea que haya crecido usando GE Appliances, o que ésta es su primera vez, nos complace tenerlo en la familia.

Sentimos orgullo por el nivel de arte, innovación y diseño de cada uno de los electrodomésticos de GE Appliances, y creemos que usted también. Entre otras cosas, el registro de su electrodoméstico asegura que podamos entregarle información importante del producto y detalles de la garantía cuando los necesite.

Registre su electrodoméstico GE ahora a través de Internet. Sitios Web y números telefónicos útiles están disponibles en la sección de Soporte para el Consumidor de este Manual del Propietario.

También puede enviar una carta en la tarjeta de inscripción preimpresa que se incluye con el material embalado.



GE APPLIANCES

INFORMACIÓN IMPORTANTE DE SEGURIDAD

LEA TODAS LAS INSTRUCCIONES ANTES DE USAR

⚠️ ADVERTENCIA Para su seguridad, siga las instrucciones de este manual a fin de minimizar riesgos de incendio, explosión, descargas eléctricas, y para evitar daños en su propiedad, lesiones personales o la muerte.

⚠️ ADVERTENCIA AL USAR SUS ELECTRODOMÉSTICOS, SE DEBERÁN SEGUIR PRECAUCIONES BÁSICAS DE SEGURIDAD, INCLUYENDO LO SIGUIENTE:

- Use este electrodoméstico sólo para su propósito original, como se describe en el Manual del Propietario.
- Lea todas las instrucciones antes de usar este electrodoméstico.
- A fin de reducir el riesgo de lesiones, será necesaria una supervisión de cerca cuando se utilice un triturador cerca de los niños.
- No coloque los dedos ni las manos en un triturador de desperdicios.
- Coloque el interruptor de corriente en la posición OFF (Apagado) antes de intentar despejar un atasco o de retirar un objeto del triturador.
- Al intentar aflojar un atasco en un triturador de desperdicios, utilice un objeto largo de madera tal como una cuchara de madera o la manija de madera de una escoba o mopa.
- Al intentar retirar objetos del triturador de desperdicios, use pinzas o tenazas con manijas largas. Si el triturador es accionado de forma magnética, use herramientas no magnéticas únicamente.
- A fin de reducir el riesgo de lesiones causadas por materiales que puedan ser expulsados por un triturador de desperdicios, no coloque lo siguiente en un triturador:
 - a. Valvas de almejas u ostras
 - b. Limpiadores de drenaje cáusticos o productos similares
 - c. Vidrio, porcelana o plástico
 - d. Huesos grandes enteros
 - e. Metales, tales como tapas de botellas, latas, utensilios o papel de aluminio
 - f. Grasa caliente u otros líquidos calientes
 - g. Hojas de maíz enteras
- Cuando no utilice un triturador, deje el tapón de drenaje en su posición y reduzca el riesgo de que lo objetos caigan en el triturador.
- Para acceder a instrucciones para una conexión a tierra adecuada, consulte la sección de **CONEXIÓN DE LA ELECTRICIDAD** de este manual.

CONEXIÓN DE LA ELECTRICIDAD

Si no está familiarizado con la corriente eléctrica y sus procedimientos, comuníquese con un electricista calificado.

⚠️ ADVERTENCIA Una conexión inadecuada del conductor de conexión a tierra del equipo podrá producir riesgos de descargas eléctricas. Si tiene dudas de que el electrodoméstico se encuentre conectado a tierra apropiadamente, consulte a un electricista calificado o a personal del servicio. No modifique el enchufe provisto con el electrodoméstico si éste no coincide con el tomacorriente; solicite la instalación de un tomacorriente apropiado a un electricista calificado.

Para los Modelos Equipados con Cable a Tierra:

INSTRUCCIONES DE CONEXIÓN A TIERRA: Este triturador deberá ser conectado a tierra a fin de reducir el riesgo de descargas eléctricas en caso de una falla de funcionamiento o avería. La conexión a tierra brinda un camino de menor resistencia para la corriente eléctrica. Este triturador está equipado con un cable con un conductor para la conexión a tierra del equipo y un enchufe con conexión a tierra. El enchufe deberá estar conectado a un tomacorriente instalado en forma adecuada y con conexión a tierra de acuerdo con todos los códigos y ordenanzas locales.

Forma adecuada de descartar su electrodoméstico

- Descarte o recicle su electrodoméstico de acuerdo con las Regulaciones Federales y Locales. Comuníquese con las autoridades locales para descartar o reciclar su electrodoméstico de forma ambientalmente segura.
- Tenga en cuenta las opciones de reciclaje del material de embalaje de su electrodoméstico.

LEA Y GUARDE ESTAS INSTRUCCIONES

Uso del triturador / Cuidado y limpieza

LEA TODAS LAS INSTRUCCIONES DE SEGURIDAD ANTES DE USAR ESTE TRITURADOR.

Este triturador utiliza paletas giratorias antiatasco que hacen un "clic" al girar en posición. Esto indica el funcionamiento normal.

- A. Retire el tapón del fregadero y abra el grifo de agua fría hasta un flujo medio.
- B. Gire el interruptor a la posición ON (encendido).
- C. Vierta residuos de comida. Para acelerar el descarte de residuos de comida, corte o rompa los raquis de maíz, las cortezas y los huesos de gran tamaño. Los huesos grandes y las cáscaras fibrosas requieren un tiempo de triturado considerable y resulta más fácil eliminarlos con otros desperdicios. No se alarme si el triturador funciona de manera más lenta. De hecho, en este caso el triturador aumenta la torsión (potencia de triturado) y funciona en condiciones normales.
- D. Antes de apagar el triturador, deje que corra el agua y que funcione el triturador durante aproximadamente 25 segundos una vez finalizado el triturado. Esto garantiza la eliminación de todos los residuos a través del sifón y del drenaje.
- E. No use agua caliente durante el funcionamiento del triturador. El agua fría mantiene la solidez de la grasa y de los residuos de comida para poder eliminarlos por el drenaje.

Consejos útiles

- A. Asegúrese de que el triturador esté vacío antes de usar el lavavajillas para que drene correctamente.
- B. Es posible que desee dejar el tapón en el drenaje cuando no esté usando el triturador para evitar que caigan utensilios y objetos extraños en su interior.
- C. El triturador tiene una estructura resistente para ofrecer muchos años de funcionamiento sin problemas. Funcionará con todo tipo de residuos de comida comunes, PERO no triturará ni desechará elementos como latas de aluminio, botellas y tapas, vidrio, porcelana, cuero, telas, vajilla, goma, cuerda, plumas ni conchas de ostras o almejas. Estos son materiales de desecho y deben arrojarse al basurero o compactador de basura.
- D. PARA ACELERAR EL DESCARTE DE RESIDUOS DE COMIDA: corte o rompa los raquis de maíz, cáscaras de melón o toronja y huesos de gran tamaño. Elementos como los huesos grandes, las cáscaras fibrosas, como las vainas de frijol, y los raquis de maíz requieren un tiempo de corte considerable. Por este motivo, quizás prefiera colocarlos en el basurero o compactador de basura.

Cuidado y limpieza

EL MOTOR ESTÁ PERMANENTEMENTE LUBRICADO DURANTE LA VIDA ÚTIL. NO INTENTE LUBRICAR EL TRITURADOR. El triturador es autolimpiante y se limpia con cada uso.

- NUNCA vierta lejía ni limpiadores químicos en el triturador, ya que pueden provocar una gran corrosión de las partes metálicas.
- El triturador cuenta con un protector contra salpicaduras desmontable para facilitar su limpieza o reemplazo. Retire el protector contra salpicaduras tirando desde la parte superior del mismo. Para volver a colocarlo, insértelo dentro del aro del fregadero y presione hacia abajo hasta que se asiente correctamente.
- Si emite malos olores, arroje cáscaras de limón o naranja al triturador. También sirve triturar una docena de cubitos de hielo espolvoreados con un poco de polvo limpiador.

Instrucciones de instalación

Triturador

Si tiene alguna pregunta, llame GE Appliances a 800.GE.CARES (800.432.2737) o visite nuestro sitio Web en: GEAppliances.com

ANTES DE EMPEZAR

Lea estas instrucciones completa y cuidadosamente.

PARA SU SEGURIDAD

Lea y cumpla con todas las ADVERTENCIAS y PRECAUCIONES que figuran en estas instrucciones. Al realizar las instalaciones descritas en este manual, se deberán usar guantes y anteojos o gafas de seguridad.

IMPORTANTE – Observe todos los códigos y órdenes de ley.

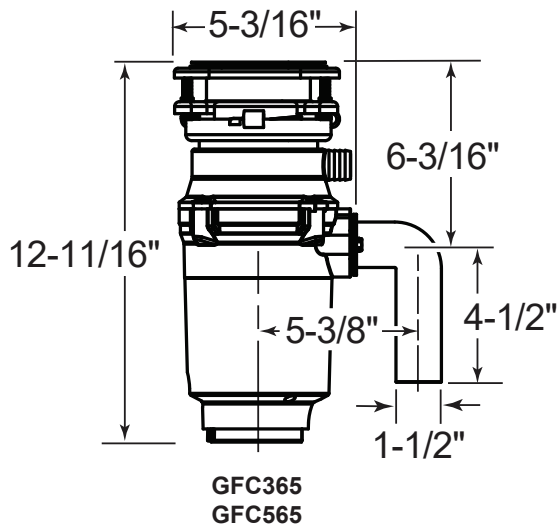
- Guarde estas instrucciones para uso del inspector local.
- **Nota al instalador** – Asegúrese de dejar estas instrucciones con el consumidor.
- **Nota al consumidor** – Conserve estas instrucciones para referencia futura.
- **Nivel de destreza** – La instalación de este aparato requiere de destrezas mecánicas básicas.
- La instalación apropiada es la responsabilidad del instalador.

⚠ ADVERTENCIA

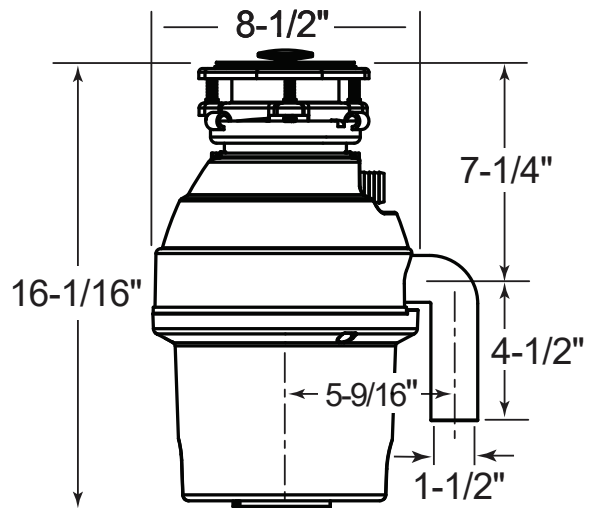
- **PARA SEGURIDAD PERSONAL:** Quite el fusible o abra el interruptor de circuitos antes de comenzar la instalación. No utilice un cable de extensión o un enchufe adaptador con este artefacto.
 - **PARA SU SEGURIDAD:** No posicione su cabeza o su cuerpo debajo del triturador; la unidad podrá caer durante el retiro o la instalación.
 - La conexión inadecuada del conductor de conexión a tierra del equipamiento puede provocar un riesgo de descarga eléctrica. Consulte a un electricista calificado o representante de servicio técnico si tiene dudas sobre la correcta conexión a tierra del aparato.
 - Si el cableado doméstico no cuenta con un cable de 2 hilos con conexión a tierra, un instalador debe realizar una conexión a tierra. Cuando el cableado doméstico es de aluminio, asegúrese de usar un compuesto antioxidante y conectores de aluminio a cobre aprobados por UL.
- La falla del producto debido a una instalación inadecuada no está cubierta por la garantía.

Instrucciones de instalación

DIMENSIONES



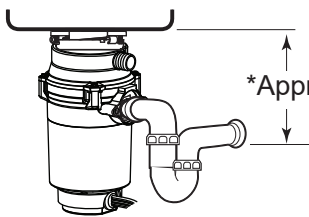
GFC365
GFC565



GFC765
GFC1065

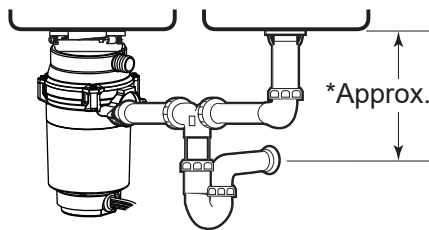
ALGUNAS INSTALACIONES TÍPICAS

FREGADERO
SIMPLE



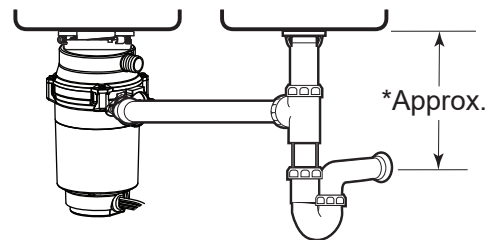
*Approx.

FREGADERO DOBLE
CON SALIDA CENTRAL**



*Approx.

FREGADERO DOBLE CON
SALIDA EN EL EXTREMO**

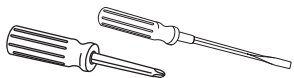


*Approx.

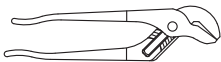
*Para el correcto funcionamiento del triturador, es fundamental que tenga una dimensión de 9" a 12" a fin de evitar que el agua se estanque en la carcasa del motor.

**Para esta aplicación es posible que se requiera una tubería de drenaje flexible.

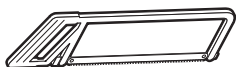
MATERIALES NECESARIAS



- Destornilladores Phillips y de punta plana



- Alicates Channel-Lock, pinzas



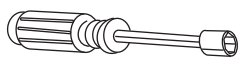
- Sierra de Mano para Metales



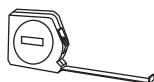
- Linterna



- Martillo



- Llave de tuercas



- Cinta de medición



- Jabón líquido (o vaselina)



- Espátula



- Masilla de plomería



- Gafas de seguridad

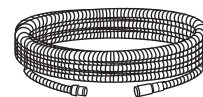


- Guantes

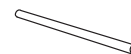
Sólo necesarios si se conectará a un lavavajillas:



- Abrazadera(s) de manguera



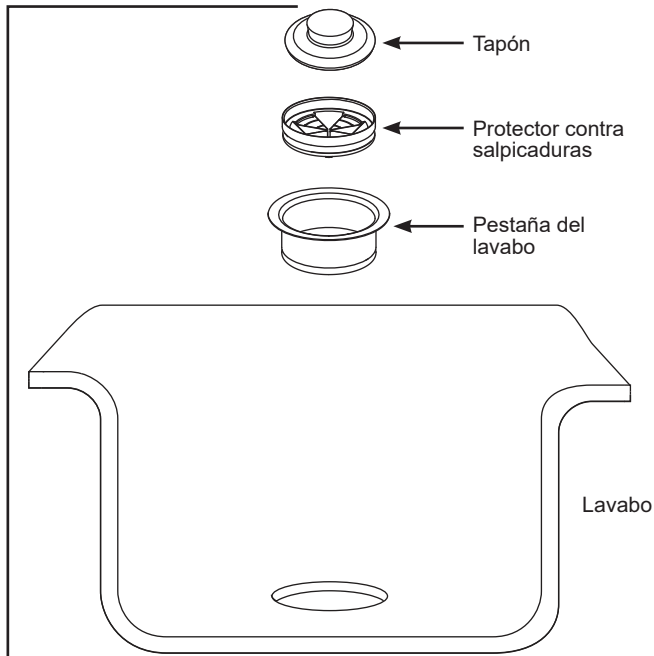
- Manguera de drenaje flexible



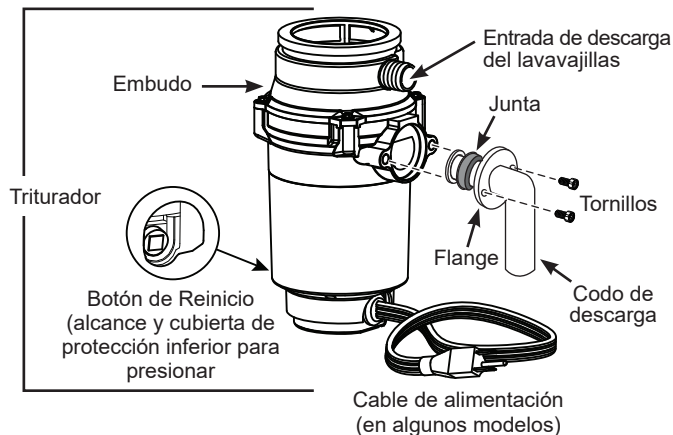
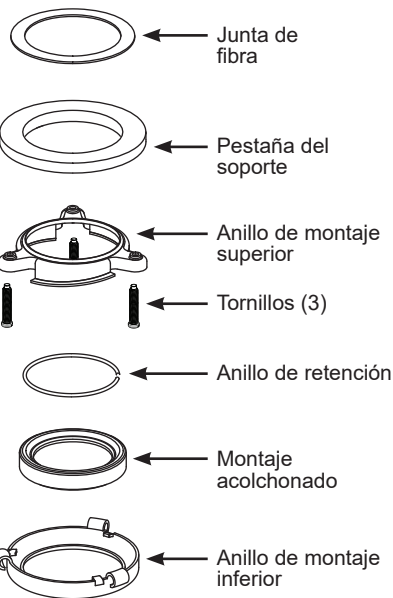
- Tarugo de madera o punzón metálico

Instrucciones de instalación

COMPONENTES



Ensamblaje del aro del fregadero



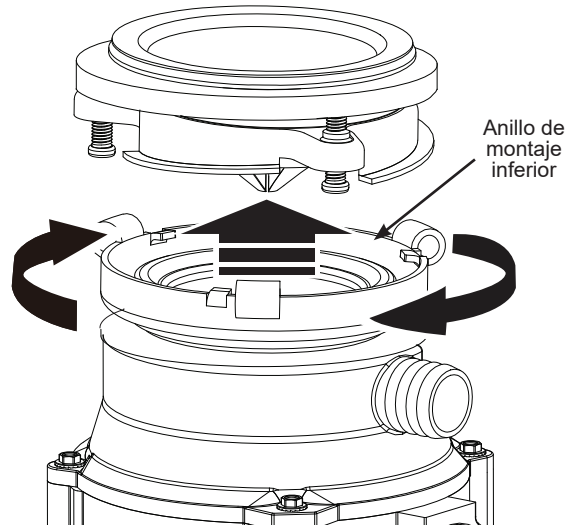
PREPARACIÓN

1. Desconecte la alimentación eléctrica del triturador.
2. Retire el ensamblaje del aro del fregadero o el triturador viejo.
3. Inspeccione la tubería de drenaje. Si está muy cubierta de grasa endurecida y acumulación de residuos, elimínelos con un desatascador.
4. Retire el material sellador viejo y junta de la abertura del fregadero, de las partes superior e inferior.

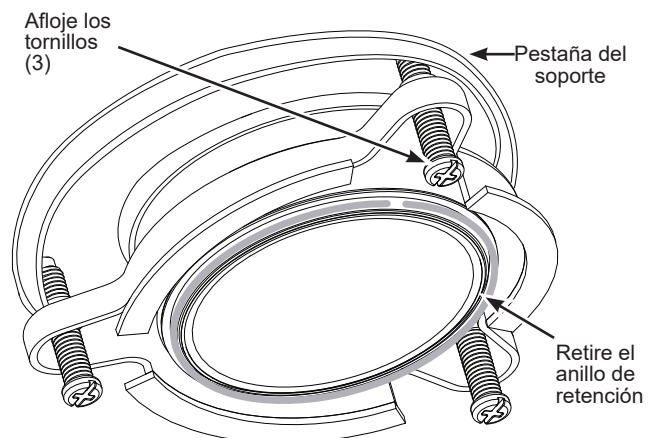
NOTA: las superficies inferiores y superiores del fregadero deben estar limpias, secas y libres de residuos para evitar fugas.

DESENSAMBLE PARA LA INSTALACIÓN

1. Gire el anillo de montaje inferior en sentido horario hasta que se libere y levante todo el ensamblaje del equipamiento del triturador de desperdicios.



2. Afloje los tres tornillos del anillo de montaje superior y deslice los mismos hacia la pestaña del soporte.

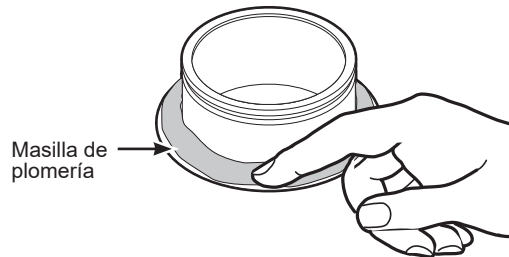


3. Inserte el destornillador de punta plana debajo del anillo de retención y retire este último.
4. Separe el anillo de montaje superior y la pestaña de soporte de la pestaña del lavabo.

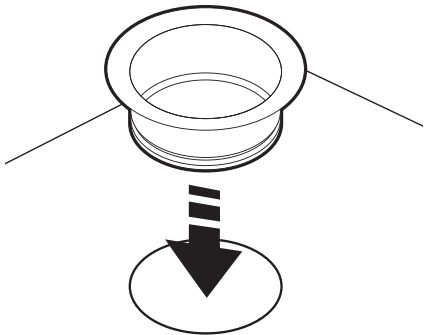
Instrucciones de instalación

INSTALE LA PESTAÑA DEL LAVABO

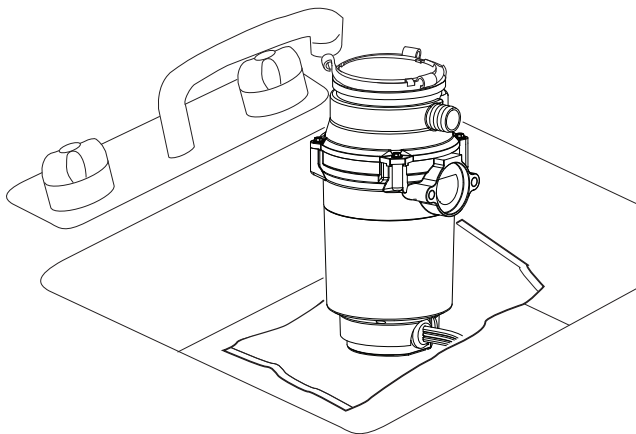
1. Coloque masilla de plomería sobre una cuerda de 3/8" de grosor, dé vuelta la pestaña del lavabo y aplique la misma sobre la parte inferior de la pestaña.



2. Instale la pestaña del lavabo sobre la apertura del lavabo, presionando la misma de manera firme y retirado la masilla de plomería excedente.

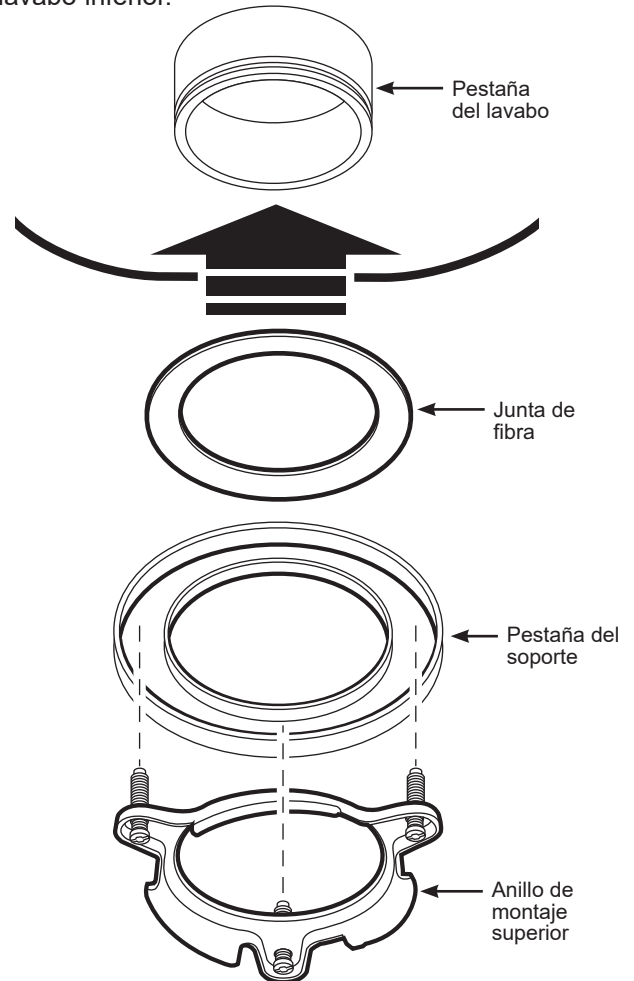


3. Coloque una toalla sobre la parte inferior del lavabo y sobre la pestaña, y sobrecargue la pestaña para colocarla en su posición mientras agrega los componentes de montaje restantes.

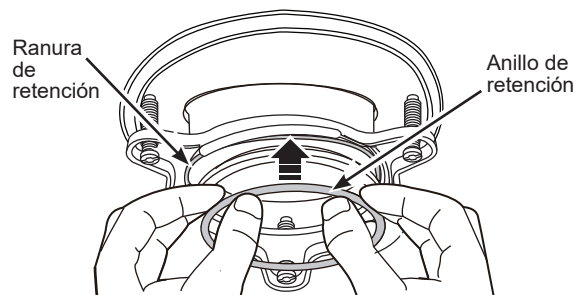


INSTALE EL EQUIPAMIENTO DE MONTAJE DEBAJO DEL LAVABO

1. Ensamble la junta de fibra, la pestaña del soporte y el anillo de montaje superior sobre la pestaña del lavabo inferior.



Asegure el ensamble en su posición sobre la pestaña del lavabo, insertando el anillo de retención en la ranura de retención de la pestaña del lavabo.

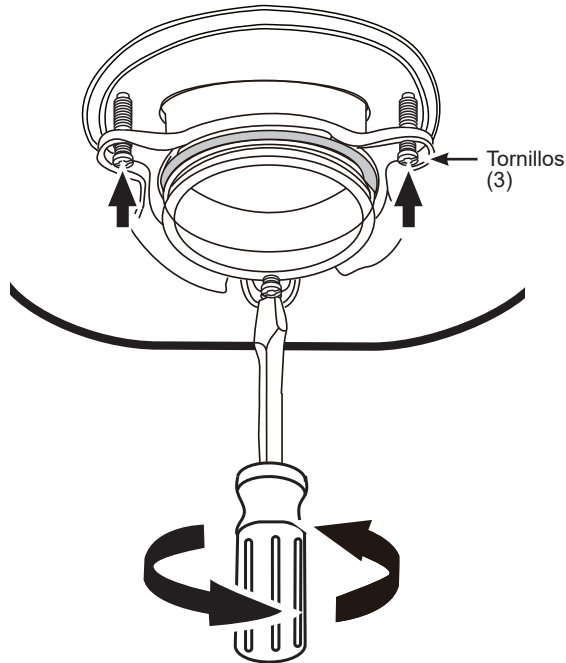


IMPORTANTE: Asegúrese de que el anillo de retención esté asegurado en su posición sobre la ranura de retención. Si el anillo de retención no está asegurado sobre la ranura de retención, atrapando las partes ensambladas en sus posiciones, entonces el triturador de desperdicios no se podrá instalar de forma correcta.

Instrucciones de instalación

INSTALE EL EQUIPAMIENTO DE MONTAJE DEBAJO DEL LAVABO

- Ajuste los tres anillos de montaje superior sobre la pestaña de soporte.

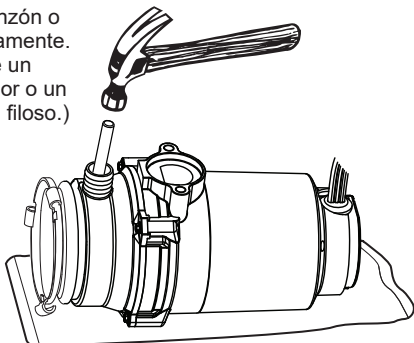


SI SE REALIZARÁ LA CONEXIÓN A UN LAVAVAJILLAS

Si realizará la conexión a un lavavajillas, complete este paso. Si no se conectará un lavavajillas, vaya a la sección "ADHESIÓN DEL CODO DE DESCARGA" y continúe.

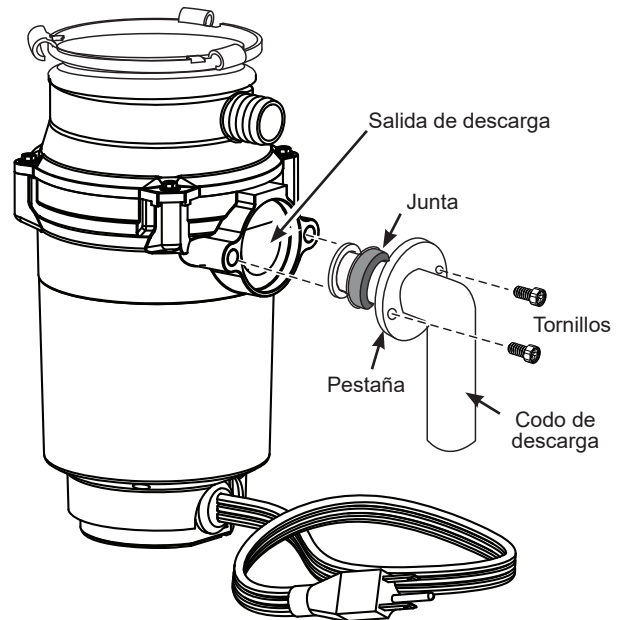
- Configure el triturador de desperdicios en el piso. Coloque el mismo de costado sobre una superficie protegida. Use un instrumento sin filo (puzón de acero o tarugo de madera), para quitar totalmente el tapón de descarga del lavavajillas. No use un destornillador o un instrumento filoso. Cuando el tapón de bloqueo caiga en el dispensador, podrá retirarlo o simplemente pulverizarlo cuando el triturador de desperdicios se encuentre en uso. Esto no dañará el triturador de desperdicios de ninguna forma, pero es posible que lleve cierta cantidad de tiempo pulverizar el mismo, a lo largo de varios usos.

Use un punzón o tarugo únicamente.
(No use un destornillador o un instrumento filoso.)



ADHESIÓN DEL CODO DE DESCARGA

- Deslice la pestaña de descarga y la junta de descarga sobre el codo de descarga. Inserte el codo de descarga y la junta en la salida de descarga del triturador de desperdicios y adhiera el ensamble de la pestaña al triturador de desperdicios con los dos tornillos.



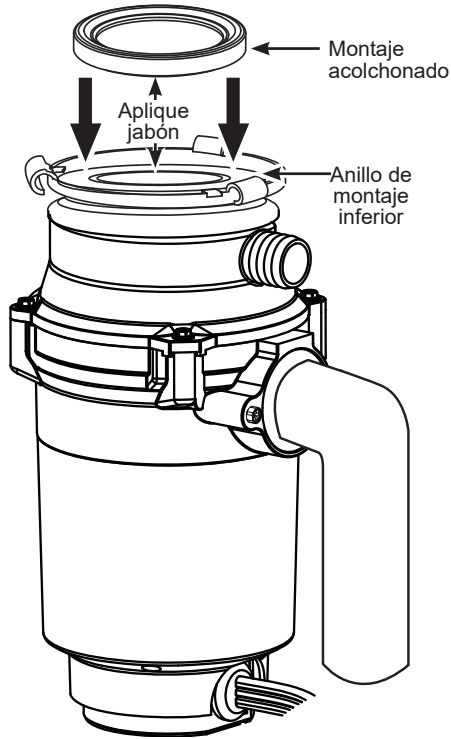
NOTA: Es posible que ciertas instalaciones requieran una conexión con una tubería de desagüe recta o con una tubería flexible. De ser necesario, consulte a un plomero con licencia.

Instrucciones de instalación

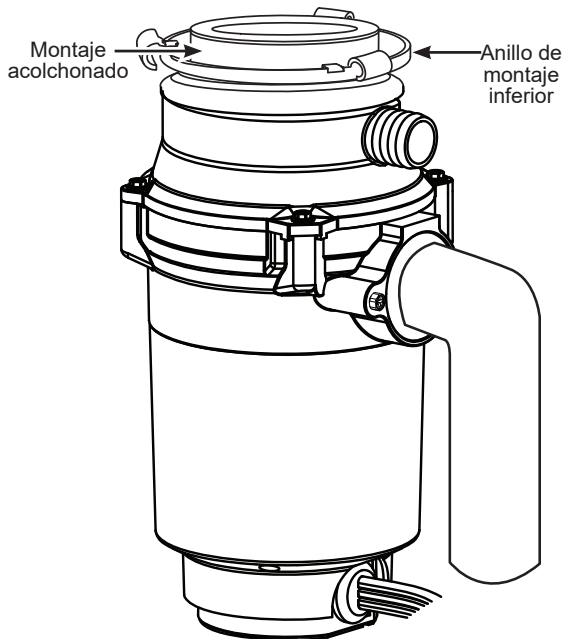
MONTE EL TRITURADOR

IMPORTANTE: Antes de realizar este paso, lea el mismo en su totalidad para entender cómo debe ser montado el triturador de desperdicios.

1. Aplique una pequeña cantidad de jabón líquido (o vaselina) sobre la parte inferior del montaje acolchonado y sobre la parte inferior del anillo de montaje inferior, como ayuda para el deslizamiento y rotación sobre el anillo de montaje superior.

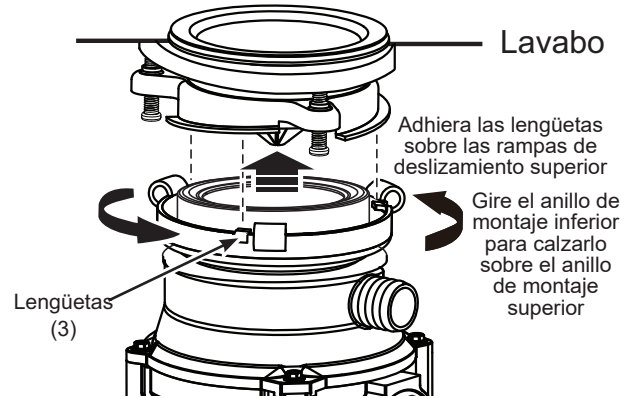


2. Apoye el montaje acolchonado sobre el anillo superior del triturador de desperdicios.

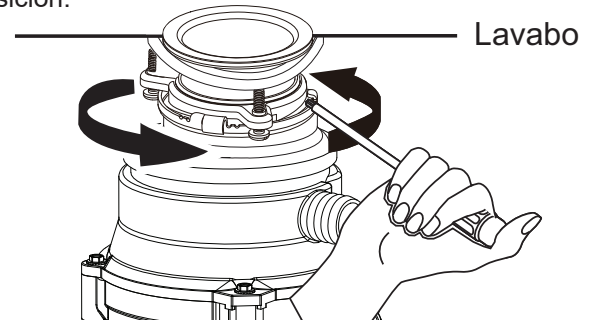


MONTE EL TRITURADOR (CONT.)

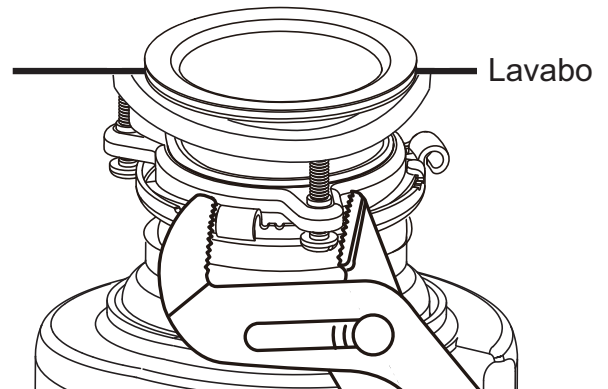
3. Levante y apunte el triturador de desperdicios sobre su posición en el anillo de montaje superior. Monte el mismo girando el anillo de montaje inferior hasta que sus lengüetas se adhieran sobre las rampas de deslizamiento del anillo de montaje superior.



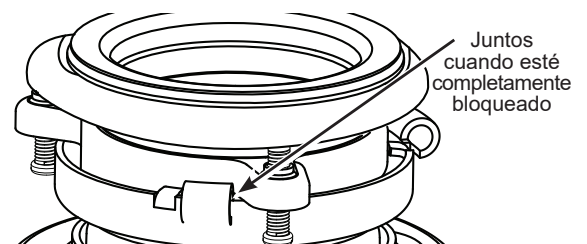
Inserte el destornillador sobre el gancho inferior y nivele este último en sentido antihorario sobre su posición.



Use las pinzas de bloqueo del canal para bloquear completamente las lengüetas del anillo de montaje inferior sobre las rampas de deslizamiento superior.



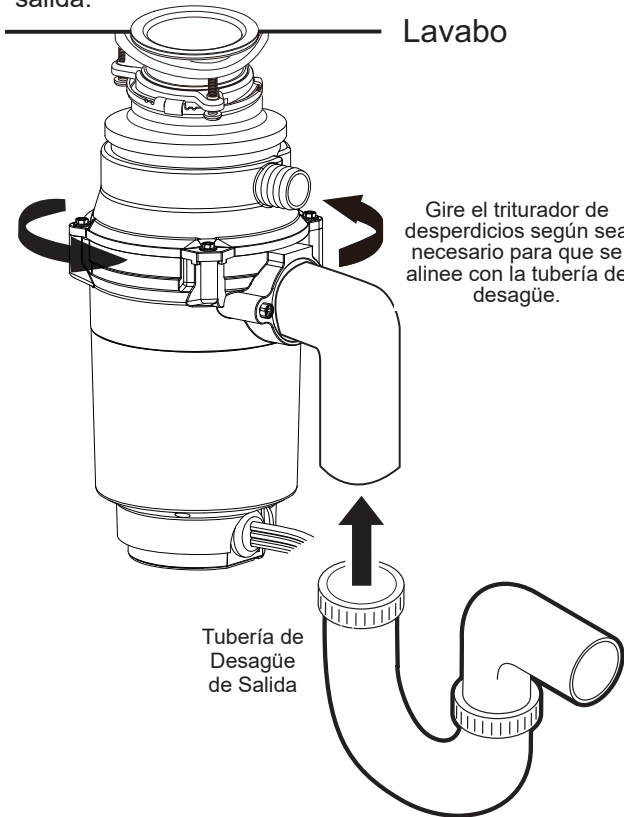
Se muestra completamente bloqueado:



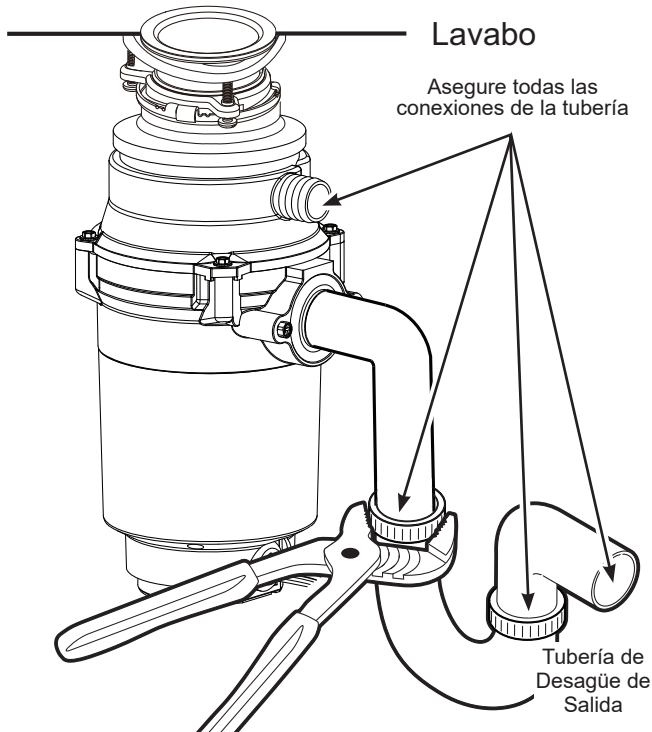
Instrucciones de instalación

CONEXIÓN DE LA PLOMERÍA

1. Gire el triturador de desperdicios hasta que su codo de descarga se alinee con la tubería de desagüe de salida.

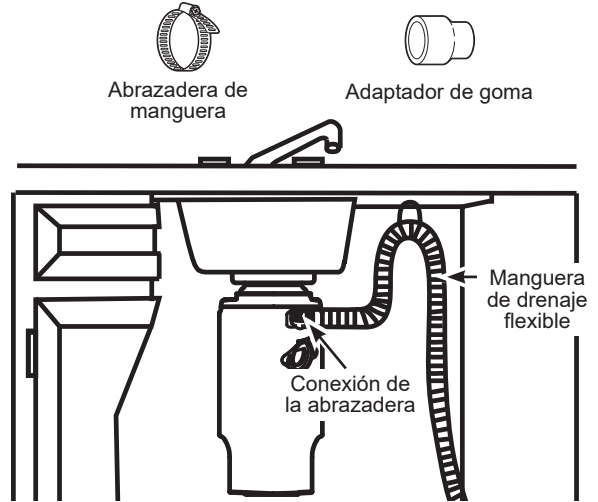


2. De forma segura, conecte toda la tubería, incluyendo la tubería de desagüe y el desagüe del lavavajillas (si está en uso), cumpliendo con todos los códigos y ordenanzas.



SI ESTÁ CONECTADO A UN LAVAVAJILLAS

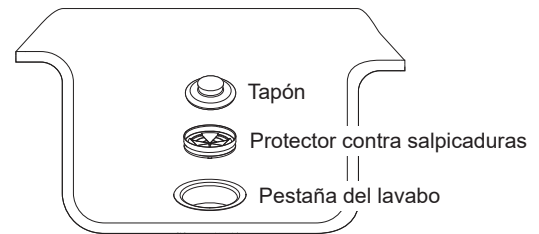
- Conecte la manguera de drenaje flexible a la descarga del lavavajillas con una abrazadera. Si el tamaño de la manguera es diferente, necesitará un adaptador de goma.



Para más detalles, consulte las Instrucciones de Instalación provistas con su lavavajillas.

INSTALE EL PROTECTOR CONTRA SALPICADURAS Y EL TAPÓN

- Presione el protector contra salpicaduras sobre su posición en la pestaña del lavabo. Inserte el tapón sobre el protector contra salpicaduras.



NOTA: Tanto el protector contra salpicaduras como el tapón se podrán retirar y limpiar cuando sea necesario.

CONECTE LA CORRIENTE Y REALICE UN CONTROL DE PÉRDIDAS

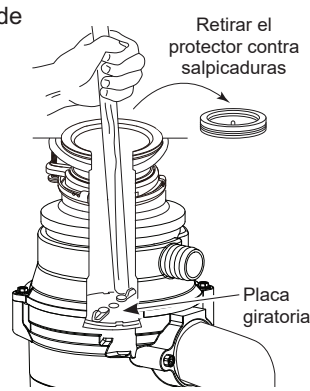
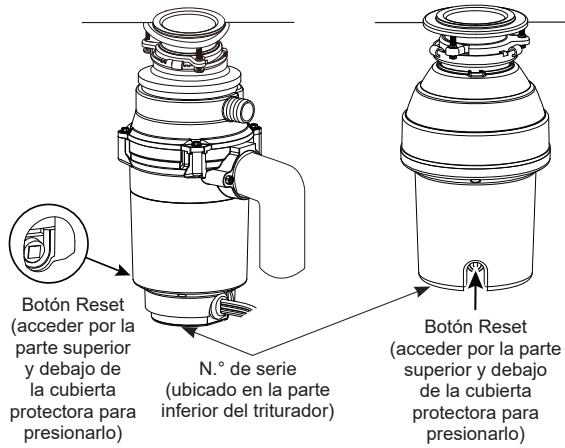
- Enchufe el triturador de desperdicios en un tomacorriente instalado en forma adecuada y con conexión a tierra de acuerdo con todos los códigos y ordenanzas locales.
- Deje correr agua para controlar que no haya pérdidas en el triturador de desperdicios 24 horas después de su instalación y durante el primer uso.
- Guarde y consulte el Manual del Propietario para un uso y cuidado adecuados del triturador de desperdicios.

Consejos para la solución de problemas

NOTA SOBRE SEGURIDAD: Antes de investigar, usted deberá desconectar el suministro de corriente.

⚠️ ADVERTENCIA Antes de realizar la reconfiguración, desconecte el suministro de corriente – por favor consulte la **NOTA SOBRE SEGURIDAD** anterior. El control de sobrecarga evita que el motor funcione en caso de sobrecarga. Esta función protege el cableado de su hogar y su triturador. Cuando se encuentre sobrecargado, el motor se detendrá automáticamente.

Problema	Causas posibles	Solución
Ruidos fuertes (distintos de los ruidos durante el triturado de huesos y carozos de frutas)	Cubiertos, tapas de botellas u otros objetos extraños cayeron dentro del triturador	Retire el protector contra salpicaduras y retire el objeto usando tenazas con mango largo. Vuelva a colocar el protector contra salpicaduras.
El triturador no enciende	El botón Reset (reinicio) se ha activado	Una vez que haya retirado el protector contra salpicaduras, verifique si la placa giratoria se mueve libremente usando el mango de una escobilla. Si la placa giratoria se mueve libremente, vuelva a colocar el protector contra salpicaduras y verifique si el botón de reinicio se ha disparado. El botón de reinicio es rojo y está ubicado del lado opuesto al codo de descarga, cerca de la parte inferior del triturador, detrás de la cubierta protectora. Acceda por la parte superior y debajo de la cubierta protectora y presione el botón hasta que haga "clic" y quede hundido. Si el botón de reinicio no se ha disparado, verifique si hay cables rotos o en cortocircuito conectados al triturador. Verifique el interruptor de alimentación eléctrica, la caja de fusibles o el disyuntor. Si el cableado y los componentes eléctricos están intactos, es posible que la unidad tenga problemas internos que requieran reparación o reemplazo.
	La placa giratoria no puede girar.	Si la placa giratoria no gira libremente, verifique si hay algún objeto alojado entre la placa y el anillo de triturado. Desatasque el objeto moviendo la placa giratoria con el mango de una escobilla. Luego, retire el objeto. Si no hay objetos extraños, es posible que haya problemas internos.
Fugas del triturador	Si la fuga está en la parte superior, puede deberse a: 1. El aro del fregadero no está correctamente asentado (opción de junta, masilla o ajuste). 2. El anillo de apoyo no está correctamente ajustado. 3. Montaje defectuoso de la amortiguación. Si la fuga está en el codo de descarga, es posible que se deba al ajuste incorrecto de los tornillos del aro del codo.	



Garantía limitada de GE Appliances

GEAppliances.com

Todo el servicio de garantía es provisto por nuestros Centros de Servicio de Fabricación, o un técnico autorizado de Servicio al Cliente (Customer Care®). Para programar una visita del servicio técnico, visítenos a través de Internet en GEAppliances.com/service, o llame GE Appliances al 800.GE.CARES (800.432.2737). Cuando llame para solicitar el servicio, tenga los números de serie y modelo disponibles.

Por el Período de	Se sustituirá
Un Año Desde la fecha de compra original	El triturador en su totalidad si existe un defecto en los materiales o la mano de obra relacionado con las piezas operativas únicamente (están excluidas las piezas relacionadas con el aspecto). Durante esta garantía limitada de un año , GE Appliances también proporcionará, sin cargo , todos los cargos por mano de obra relacionados con el reemplazo del triturador junto con el triturador de repuesto durante el primer año.
Un año adicional Desde la fecha de compra original	Modelos GFC565: si existe un defecto en los materiales o la mano de obra relacionado con las piezas operativas únicamente (están excluidas las piezas relacionadas con el aspecto). Durante el período de garantía limitada extendida de un año , usted será responsable por todos los cargos de instalación relacionados con el triturador de repuesto.
Cuatro años adicionales Desde la fecha de compra original	Modelos GFC765: si existe un defecto en los materiales o la mano de obra relacionado con las piezas operativas únicamente (están excluidas las piezas relacionadas con el aspecto). Durante este período de garantía limitada extendida de cuatro años , usted será responsable por todos los cargos de instalación relacionados con el triturador de repuesto.
Seis años adicionales Desde la fecha de compra original	Modelo GFC1065: si existe un defecto en los materiales o la mano de obra relacionado con las piezas operativas únicamente (están excluidas las piezas relacionadas con el aspecto). Durante este período de garantía limitada extendida de seis años , usted será responsable por todos los cargos de instalación relacionados con el triturador de repuesto.

Qué No Cubrirá GE Appliances:

- Viajes del personal de servicio a su casa para enseñarle cómo usar su producto.
- Instalación, entrega o mantenimiento inapropiada.
- Fallas del producto si es maltratado, mal usado, o usado para un propósito diferente del que se creó o si es usado para usos comerciales.
- Cambio de los fusibles de su casa o reajuste del circuito de interruptores.
- Productos sin defectos o rotos, o los cuales se encuentran funcionando como se indica en el Manual del propietario.
- Daños al producto causados por accidentes, incendios, inundaciones o actos de la naturaleza.
- Daños imprevistos resultantes causados por posibles defectos con este electrodoméstico.
- Defectos o daños debido a la puesta en funcionamiento a temperaturas de congelación.
- Daños causados después del envío.
- Producto no accesible para facilitar el servicio requerido.

EXCLUSIÓN DE GARANTÍAS IMPLÍCITAS

Su única y exclusiva alternativa es la reparación del producto, como se indica en la Garantía Limitada. Las garantías implícitas, incluyendo garantías implícitas de comerciabilidad o conveniencia sobre un propósito particular, se limitan a un año o al período más corto permitido por la ley.

Esta garantía limitada se extiende al comprador original y a cualquier propietario subsecuente para productos comprados para uso doméstico dentro Estados Unidos. Si el producto está situado en un área que no dispone de servicio por parte de un proveedor de servicio autorizado de GE Appliances, podría tener que hacerse cargo de los costes de envío o bien podría solicitársele que lleve el producto a un centro de servicio de GE Appliances autorizado para realizar la reparación. En Alaska, la garantía limitada excluye el costo de envío o las visitas de servicio a su casa.

Algunos estados no permiten la exclusión o limitación de daños imprevistos. Esta garantía limitada le da sus derechos legales específicos, y es posible que usted tenga otros derechos legales que varían de estado a estado. Para informarse de cuáles son sus derechos legales, consulte a su oficina de asuntos del consumidor local o estatal o póngase en contacto con la Oficina de su Procurador General.

Garante: GE Appliances, a Haier company, Louisville, KY 40225

GARANTÍA LIMITADA

Aproche su recibo aquí. Para acceder al servicio técnico de acuerdo con la garantía deberá contar con la prueba de la fecha original de compra.

Soporte para el Consumidor

Sitio Web de GE Appliances

¿Desea realizar una consulta o necesita ayuda con su electrodoméstico? ¡Intente a través del Sitio Web de GE Appliances las 24 horas del día, cualquier día del año! Usted también puede comprar más electrodomésticos maravillosos de GE Appliances y aprovechar todos nuestros servicios de soporte a través de Internet, diseñados para su conveniencia. **GEAppliances.com**

Registre su Electrodoméstico

¡Registre su electrodoméstico nuevo a través de Internet, según su conveniencia! Un registro puntual de su producto permitirá una mejor comunicación y un servicio más puntual de acuerdo con los términos de su garantía, en caso de surgir la necesidad. También puede enviar una carta en la tarjeta de inscripción preimpresa que se incluye con el material embalado. **GEAppliances.com/register**

Servicio Programado

El servicio de reparación de expertos de GE Appliances está a sólo un paso de su puerta. Conéctese a través de Internet y programe su servicio a su conveniencia cualquier día del año.

GEAppliances.com/service

o comuníquese al 800.432.2737 durante el horario de atención comercial.

Garantías Extendidas

Adquiera una garantía extendida de GE Appliances y conozca los descuentos especiales que están disponibles mientras su garantía aún está vigente. La puede adquirir en cualquier momento a través de Internet. Los servicios de GE Appliances aún estarán allí cuando su garantía caduque.

GEAppliances.com/extended-warranty

o comuníquese al 800.626.2224 durante el horario de atención comercial.

Conectividad Remota

Para solicitar asistencia para la conectividad de red inalámbrica (para modelos con acceso remoto), visite nuestro sitio web en **GEAppliances.com/connect** o comuníquese al 800.220.6899.

Piezas y Accesorios

Aquellos individuos calificados para realizar el servicio técnico de sus propios electrodomésticos podrán solicitar el envío de piezas o accesorios directamente a sus hogares (se aceptan las tarjetas VISA, MasterCard y Discover). Ordene hoy a través de Internet durante las 24 horas, todos los días. **GEApplianceparts.com** o de forma telefónica al 877.959.8688 durante el horario de atención comercial.

Las instrucciones que figuran en este manual cubren los procedimientos que serán realizados por cualquier usuario. Otros servicios técnicos generalmente deben ser derivados a personal calificado del servicio. Se deberá tener cuidado, ya que una reparación indebida podrá hacer que el funcionamiento no sea seguro.

Contáctenos

Si no se encuentra satisfecho con el servicio que recibió de GE Appliances, comuníquese con nosotros a través de nuestro sitio Web con todos los detalles, incluyendo su número telefónico, o escriba a:

General Manager, Customer Relations | GE Appliances, Appliance Park | Louisville, KY 40225

GEAppliances.com/contact o comuníquese al 800.626.2000