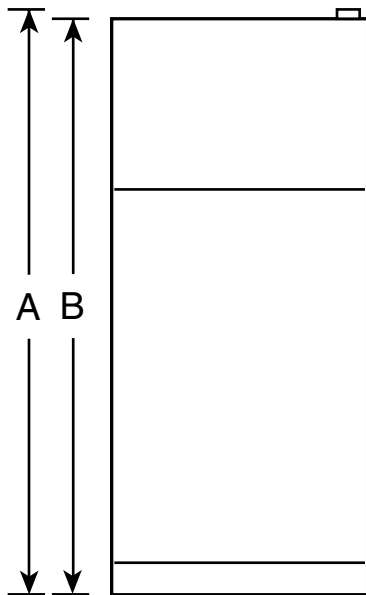


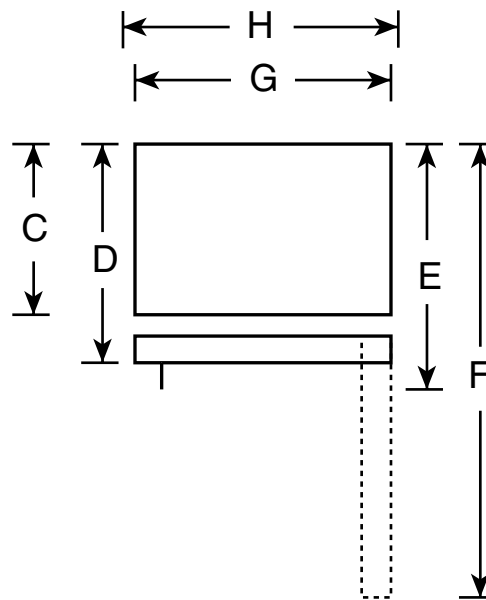
# HOTPOINT®

## HTS18GCS – Hotpoint® 18.2 Cu. Ft. Top-Freezer Refrigerator

Front View



Top View



Overall Dimensions	Height to top of hinge (in.) <b>A</b>	<b>67-3/8</b>
	Height to top of case (in.) <b>B</b>	<b>66-7/8</b>
	Height to mid-freezer (in.)	<b>57</b>
	Case depth without door (in.) <b>C</b>	<b>26-3/4</b>
	Case depth less door handle (in.) <b>D</b>	<b>30-1/2</b>
	Case depth with door handle (in.) <b>E</b>	<b>32-3/8</b>
	Depth with fresh food door open 90° (in.) <b>F</b>	<b>56-3/8</b>
	Width (in.) <b>G</b>	<b>28</b>
Air Clearances	Width with door open 90° with door handle (in.) <b>H</b>	<b>30-3/4</b>
	Each side (in.)	<b>3/4</b>
	Top (in.)	<b>1</b>
	Back (in.)	<b>1</b>

**Note:** Before installing, consult installation instructions packed with product for current dimensional data.

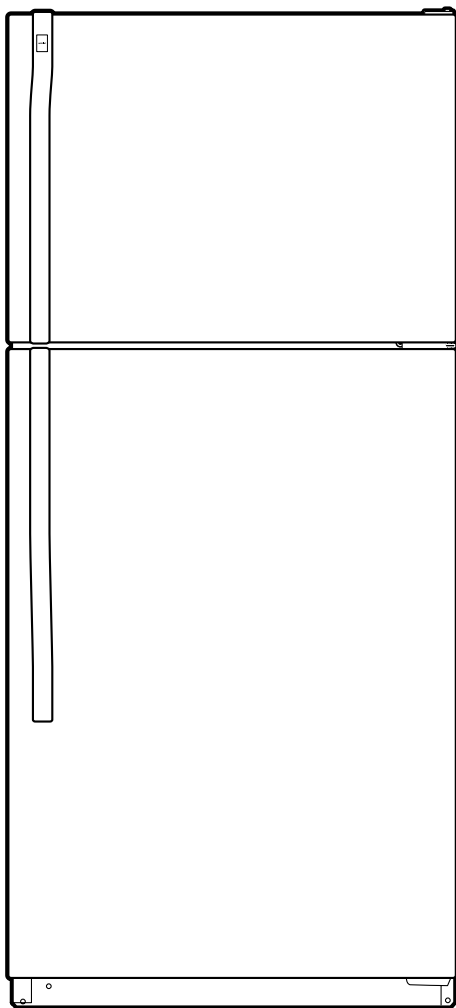
**Note: All Top-Freezer No-Frost Right-Hand Refrigerator Doors:** As you face the front of the refrigerator, the handle is on your left and the hinges are on your right.

**All Top-Freezer No-Frost Left-Hand Refrigerator Doors:** As you face the front of the refrigerator, the handle is on your right and the hinges are on your left.





## HTS18GCS – Hotpoint® 18.2 Cu. Ft. Top-Freezer Refrigerator



### Features and Benefits

- Adjustable Glass Shelves - Lets consumers maximize usable storage space
- Upfront Temperature Controls - Are positioned up front, close at hand, for maximum convenience and ease of use
- Factory-Installed Icemaker - Makes ice automatically ensuring a ready supply
- Vegetable/Fruit Crispers - For easy storage of your fruits and vegetables
- Gallon Door Storage - Makes room for milk and any other gallon size containers
- Square Doors - Classic design that's compatible with any kitchen décor
- NeverClean™ Condenser - Condenser coils are encased, so they don't require cleaning in normal operating environments
- Deluxe Quiet Design - Significantly reduces operating noise
- Model HTS18GCSWW – White on white