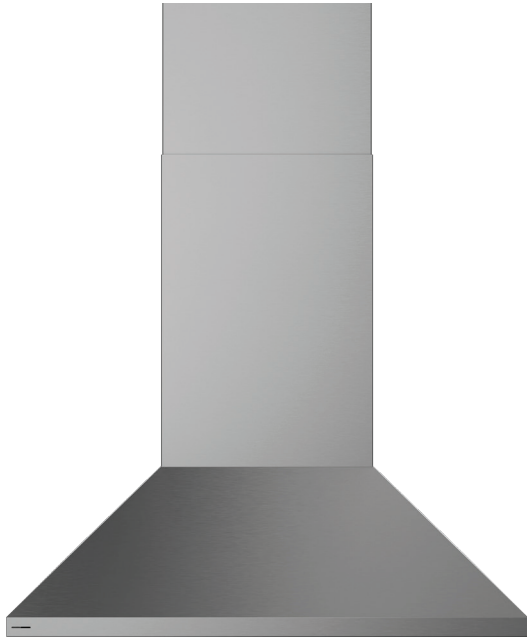


# MONOGRAM 48" CHIMNEY/PYRAMID WALL MOUNT HOOD VENT

ZVWS481SRSS



## BUILT-IN INDOOR AIR QUALITY SENSORS

Monitor and control your home's air quality for a healthier living environment. Detects particulate matter, volatile organic compounds (VOCs), humidity and temperature

## ADJUSTABLE 610-CFM RANGE HOOD BLOWER

This high-power range hood effectively removes smoke, cooking fumes and odors from the air, keeping your kitchen fresh and clean. Blower sold separately

## BUILT-IN WIFI

This smart range hood lets you adjust vent speed and turn on lights using your phone for the ultimate in-kitchen convenience

## LED HOOD LIGHT

Bright illumination provides a clear view of your cooktop while cooking

## ADA COMPLIANT

This ADA-compliant range hood can be operated with a mobile device, eliminating reaching and improving safety for users of all abilities

## PERIMETER VENTING

Efficient and effective ventilation with a clean, modern design that makes a statement of style in any kitchen

## CHEF CONNECT

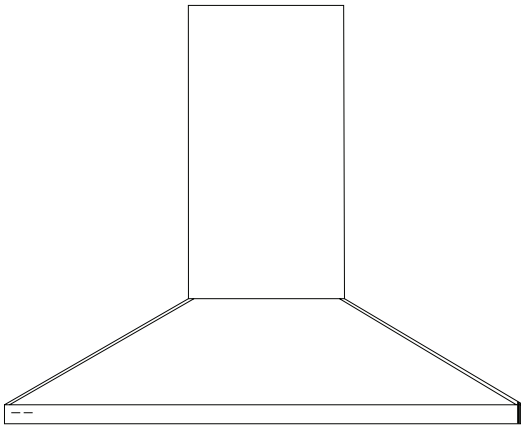
Simplify your cooking routines. Synchronize kitchen hood with your oven so it turns on whenever the cooktop is activated and the lights illuminate when any burner is in use

## BACKLIT CAPACITIVE TOUCH CONTROLS

Easily operate this range hood with capacitive touch buttons that are illuminated from behind, making them easy to locate and use in low-light

## 4-SPEED FAN

Customize the ventilation to suit your cooking techniques with this 4-speed fan feature. Whether simmering or searing, your cooking environment stays comfortable



## SPECIFICATIONS

Overall Width	48"
Overall Height	11.1"
Overall Depth	21.5"
Min. Ceiling Height Installation	>=103 @ 30" spacing over gas >=97 @ 24" spacing over electric
Max. Ceiling Height Installation	>=126 @ 36" spacing
Max. Control Height from Floor	<=72"

## ATTENTION ELECTRICIAN

### ELECTRIC SUPPLY

These vent hoods must be supplied with 120V, 60Hz, connected to a properly grounded branch circuit and protected by a 15- or 20-amp circuit breaker or time-delay fuse.

- Wiring must be 2 wire with ground.
- If the electrical supply does not meet the above requirements, call a licensed electrician before proceeding.
- Route house wiring as close to the installation location as possible on the back wall or ceiling.
- Connect the wiring to the house wiring in accordance with local codes.

### GROUNDING INSTRUCTIONS

The grounding conductor must be connected to a ground metal, permanent wiring system or an equipment-grounded terminal or lead on the hood.

#### **⚠ WARNING**

The improper connection of the equipment-grounding conductor can result in a risk of electric shock. Check with a qualified electrician or service representative if you are in doubt whether the appliance is properly grounded.

## SAFETY INFORMATION

### BEFORE YOU BEGIN

Read these instructions completely and carefully.

### IMPORTANT

- Save these instructions for local inspector's use.
- Observe all governing codes and ordinances.
- **Note to Installer** – Be sure to leave these instructions with the Consumer.
- **Note to Consumer** – Keep these instructions with your Owner's Manual for future reference.
- **Skill Level** – Installation of this appliance requires basic mechanical and electrical skills.
- **Completion Time** – 1 to 3 hours.
- Proper installation is the responsibility of the installer. Product failure due to improper installation is not covered under the warranty. See Owner's Manual for warranty information.

For Monogram local service in your area, call 1.800.444.1845.

For Monogram Parts and Accessories, call 1.800.626.2002.

**⚠ CAUTION** Due to the weight and size of these vent hoods and to reduce the risk of personal injury or damage to the product, **TWO PEOPLE ARE REQUIRED FOR PROPER INSTALLATION.**

**⚠ WARNING** To reduce the risk of fire or electrical shock, do not use this range hood with any external solid-state speed control device. Any such alteration from original factory wiring could result in damage to the unit and/or create an electrical safety hazard.

### TO REDUCE THE RISK OF FIRE, USE ONLY METAL DUCTWORK.

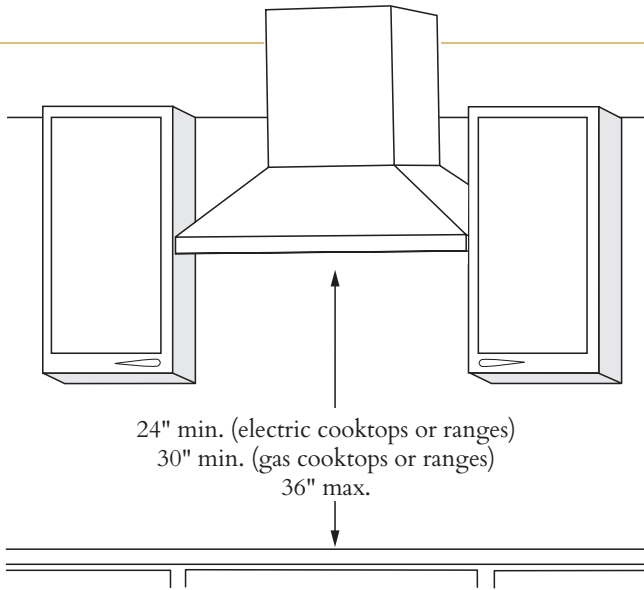
**⚠ WARNING: TO REDUCE THE RISK OF FIRE, ELECTRICAL SHOCK OR INJURY TO PERSONS, OBSERVE THE FOLLOWING:**

- Use this unit only in the manner intended by the manufacturer. For more details, refer to the installation instructions for this product on Monogram.com.
- Before servicing or cleaning the unit, switch the power off at the service panel and lock the service disconnecting means to prevent the power from being switched on accidentally. When the service disconnecting means cannot be locked, securely fasten a prominent warning device, such as a tag, to the service panel.

**⚠ CAUTION: FOR GENERAL VENTILATING USE ONLY. DO NOT USE TO EXHAUST HAZARDOUS MATERIALS, OR EXPLOSIVE MATERIALS/VAPORS. WARNING TO REDUCE THE RISK OF FIRE, ELECTRICAL SHOCK OR INJURY TO PERSONS, OBSERVE THE FOLLOWING:**

- Installation work and electrical wiring must be done by qualified person(s) in accordance with all applicable codes and standards, including fire-rated construction
- Sufficient air is needed for proper combustion and exhausting gases through the flue (chimney) of fuel-burning equipment to prevent backdrafting. Follow the heating equipment manufacturer's guidelines and safety standards, such as those published by the National Fire Protection Association (NFPA), the American Society for Heating, Refrigeration and Air Conditioning Engineers (ASHRAE) and the local code authorities. When applicable, install any makeup (replacement) air system in accordance with local building code requirements. Visit [GEAppliances.com](http://GEAppliances.com) for available makeup air solutions.
- When cutting or drilling into walls or ceilings, do not damage electrical wiring and other hidden utilities.
- Ducted systems must always be vented to the outdoors.
- Local codes vary. Installation of electrical connections and grounding must comply with applicable codes. In the absence of local codes, the vent should be installed in accordance with National Electrical Code ANSI/NFPA 70-1990 or latest edition.

**⚠ CAUTION** To reduce risk of fire and to properly exhaust air, be sure to duct air outside. Do not vent exhaust air into spaces within walls or ceilings or into attics, crawl spaces or garages.



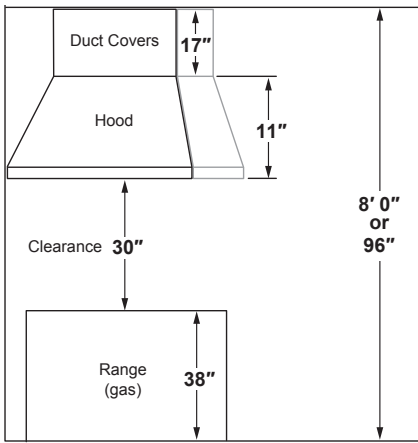
**INSTALLATION CLEARANCES**

These vent hoods are designed to be installed onto a wall.  
 • Install these hoods 24" min. above electric range/cooktop or 30" min. above gas range/cooktop. The recommended max. installation above the cooking surface is 36".

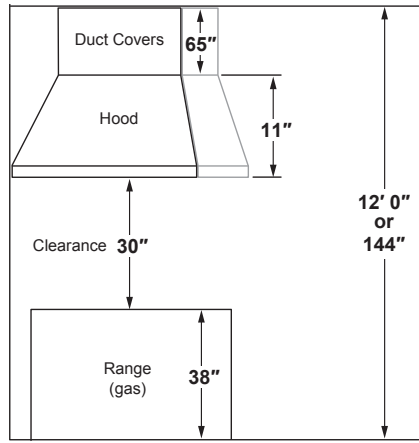
**NOTE**

Clearances may vary due to type of cooking product and local codes. Check with local inspectors to be sure standard is applicable.

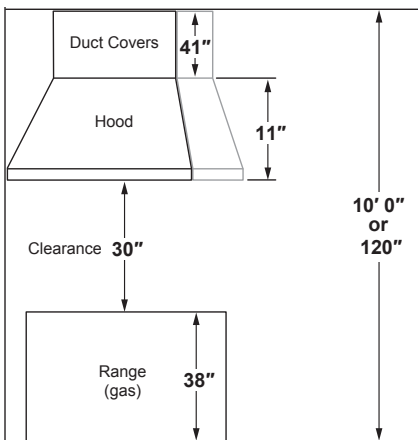
For the installation at left, conceal the ductwork running from the top of the hood. Use of the duct cover requires special consideration to the installation height above the countertop.



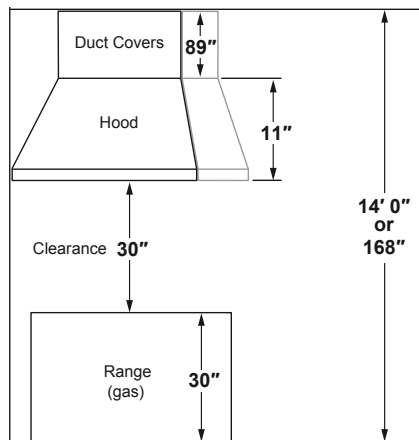
**8 FT. CEILINGS**  
 For 8' ceiling height, order 8' duct cover kit (ZX8DC4SRSS).



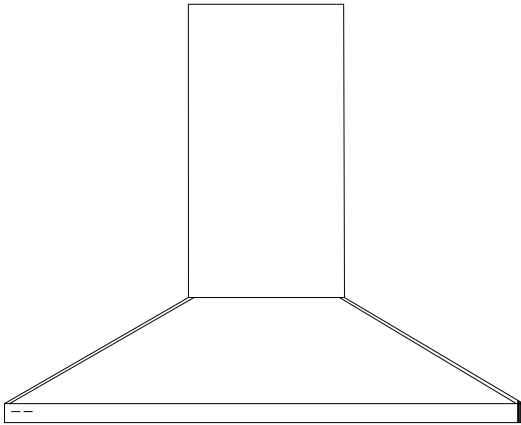
**12 FT. CEILINGS**  
 For 12' ceiling height, order 12' duct cover kit (ZX12DC4SRSS).



**10 FT. CEILINGS**  
 For 10' ceiling height, use the included duct cover kit.



**14 FT. CEILINGS**  
 For 14' ceiling height, order 14' duct cover kit (ZX14DC4SRSS).



Before you begin, you should determine the installation height of the hood and order the correct size duct cover. The duct covers should be ordered at the same time as the vent hood and be on-site before installation. Order the duct cover corresponding to your model.

#### DUCT COVERS FOR MODEL ZVWS481SRSS

Size	Accessory Model #	Dimensions
8'	ZX8DC4SRSS	Upper: 22 1/16"H x 13 10/16"W x 11 13/16"D Lower: 15 15/16"H x 13 13/16"W x 11 15/16"D
10'	Included	Upper: 25 9/16"H x 13 10/16"W x 11 13/16"D Lower: 19 7/16"H x 13 13/16"W x 11 15/16"D
12'	ZX12DC4SRSS	Upper: 34 9/16"H x 13 10/16"W x 11 13/16"D Lower: 28 7/16"H x 13 13/16"W x 11 15/16"D
14'	ZX14DC4SRSS	Upper: 46 9/16"H x 13 10/16"W x 11 13/16"D Lower: 40 7/16"H x 13 13/16"W x 11 15/16"D

#### ADVANCED PLANNING

##### ADJUSTABLE BLOWER

Blower accessories sold separately are required for use

- ZXR1220RSS In-line 1220-CFM adjustable blower
- Must purchase two WB26X40949 Integral 1220-CFM adjustable blowers

##### DUCTWORK PLANNING

- This hood is designed to be vented vertically through the ceiling or soffit with an 8' duct.
- Determine the mounting location of the vent hood.
- Plan the route for venting exhaust to the outdoors.
- Use the shortest and straightest duct route possible. For satisfactory performance, duct run should not exceed 150 ft. equivalent length for any duct configurations.
- Refer to "Duct Fittings" chart to compute the maximum permissible length for duct runs to the outdoors.
- Use rigid metal ducting only. Flexible ducting is not recommended.
- Install a wall cap or roof cap with damper at the exterior opening. Order the wall or roof cap and any transition needed in advance.

##### WALL FRAMING FOR ADEQUATE SUPPORT

- These vent hoods are heavy. Adequate structural support must be provided. Hoods must be secured to vertical studs in the wall.
- It is strongly recommended that the vent hood with duct cover be on site before final framing and wall finishing. This will also help to accurately locate the ductwork and electrical service.

##### DUCT COVER ACCESSORIES

- Duct cover kits for 8', 12' and 14' ceiling heights are available for this model. The duct cover conceals the ductwork running from the top of the hood to the ceiling or soffit. Each kit includes an upper and lower duct cover. The upper cover telescopes within the lower duct cover to reach the desired ceiling height.

##### POWER SUPPLY

##### IMPORTANT (PLEASE READ CAREFULLY)

#### WARNING

FOR PERSONAL SAFETY, THIS APPLIANCE MUST BE PROPERLY GROUNDED.

Remove house fuse or open circuit breaker before beginning installation.

Do not use an extension cord or adapter plug with this appliance. Follow national electrical codes or prevailing local codes and ordinances.

### INCLUDED ACCESSORIES & FEATURES

Non-return Damper (10" round)	Yes
Grease Filters	4 X Mesh
Hardware Kit	Yes
10' High Ceiling Duct Cover Kit	Included
Min. Ceiling Height With 10' High Ceiling Kit (in.)	105" @ 36" spacing
Max. Ceiling Height With 10' High Ceiling Kit (in.)	127" @ 36" spacing
Power (On/Off)	Yes
Light (On/Off/Night Light)	Yes
Fan Speed (+)	Yes
Fan Speed (-)	Yes
Fan Boost	Yes
Delay O	Yes
Connected Kitchen Application	Yes

### REQUIRED ACCESSORIES

**Pending installation, one of the following blower accessories must be purchased:**

In-line Remote Blower Kit (25' Harness Included)	ZXR1220RSS
Integral Blower Kit (Must Purchase Two)	WB26X40949

### OPTIONAL ACCESSORIES

Utensil Rails	No
Backsplash Kit	No
8' High Ceiling Duct Cover Kit	ZX8DC4SRSS
Min. Ceiling Height With 8' High Ceiling Kit (in.)	102" @ 36" spacing
Max. Ceiling Height With 8' High Ceiling Kit (in.)	120" @ 36" spacing
12' High Ceiling Duct Cover Kit	ZX12DC4SRSS
Min. Ceiling Height With 12' High Ceiling Kit (in.)	114" @ 36" spacing
Max. Ceiling Height With 12' High Ceiling Kit (in.)	145" @ 36" spacing
14' High Ceiling Duct Cover Kit	ZX14DC4SRSS
Min. Ceiling Height With 14' High Ceiling Kit (in.)	126" @ 36" spacing
Max. Ceiling Height With 14' High Ceiling Kit (in.)	169" @ 36" spacing
15" Cabinet Spacer	No
Remote Control (Wired)	No
Remote Control (Wireless)	No
Power Cord Kit	JXHC1
Knobs	No