

Installation Instructions

ZKUN Heater Unification Kit


Before you begin - Read these instructions completely and carefully.

Note to Installer: Be sure to leave these instructions with the Consumer.

Note to Consumer: Keep these instructions with your Installation Instructions for future reference.

⚠ WARNING  **Electrical Shock Hazard.**

To avoid the risk of electric shock, make sure the power cord is not plugged into the wall outlet.

⚠ WARNING  **Tip Over Hazard.** This appliance is top heavy. Use extreme caution with moving to prevent tipping over which could result in death or serious injury.

This kit provides for the installation of the Heater Unification components when installing 2 Column units side by side.

Parts List:

Adhesive Heater
Transformer
Front Mullion
Trim Bracket
Top Unification Bracket
Bottom Front Unification Bracket
3 1/4" Hex Head 8-18 5/8" Long Screws
5 1/4" Hex Head 8-32 5/8" Long Screws
5 3/8" Hex Head 1/4-20 1/2" Long Screws
4 wire clips

Tools and Materials Required:

1/4" and 3/8" driver / sockets
#2 Phillips screwdriver
Rubbing alcohol

Instructions for this kit are also included in the full installation instructions included with the unit.

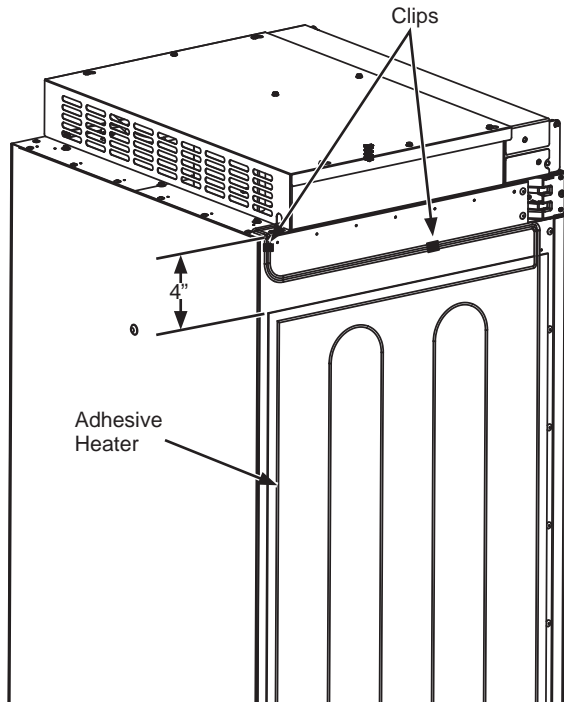
- Unpack the heater Unification Kit (ZKUN) and make sure all of the components on the list are included.

Installation Instructions

HEATER INSTALLATION

NOTE: Ensure the heater connector cord is toward the top of the unit when installed.

- Place the right hand unit in front of the installation opening in a way that the unit is in front of the intended installed location.
- Install adhesive heater on the outside of the unit to the left side of the case. Install heater 4" below the case top. Heater should be centered front to back on the metal case.

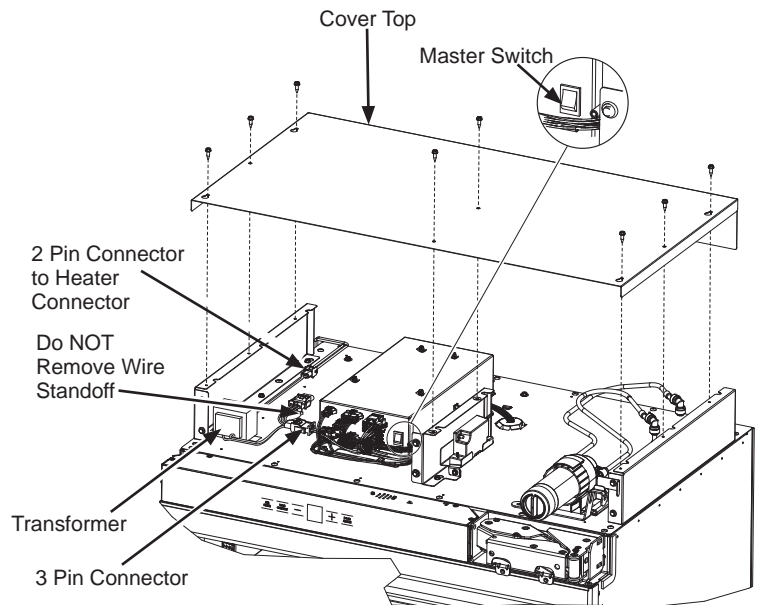


Enclosure assembly upper is hidden for clarity.

WARNING **Electrical Shock**

Hazard. To avoid the risk of electric shock, make sure the power cord is not plugged into the wall outlet.

- Use clips to adhere loose wire tightly to side of case as shown. Clean the side using rubbing alcohol to ensure proper clip adhesion.
- Install the transformer into the case top assembly:
 1. Remove cover top by removing eight #8 hex screws and keep aside for assembling back the cover top.
 2. Place the transformer into the case top provided in ZKUN kit and secure it with the existing (1/4") hex screws to left front of case top.
 3. Connect the 2 pin transformer connector to the heater connector and 3 pin connector to panel control, make sure locking tabs are engaged.
 4. **NOTE:** Verify the master switch is on.
 5. Assemble the cover top with screws save from previous step.

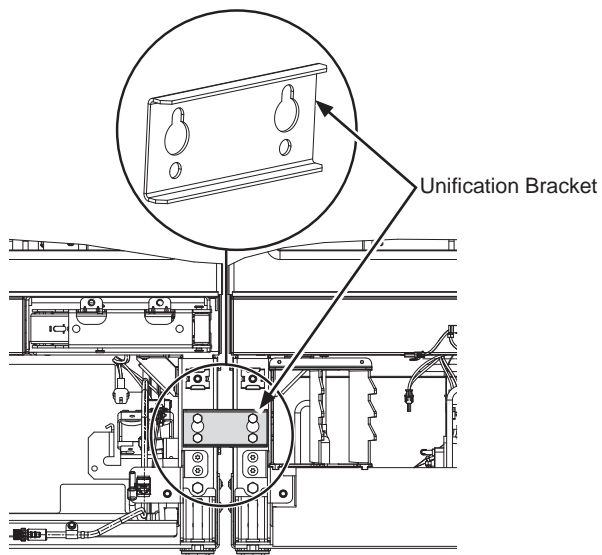


Installation Instructions

UNIFICATION BRACKET INSTALLATION

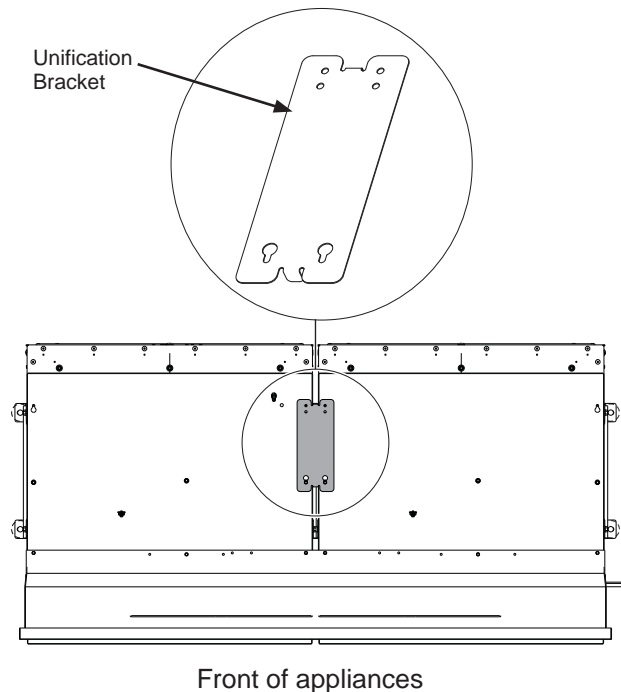
BOTTOM FRONT UNIFICATION

- Install the bottom front unification bracket using a 3/8" driver (4 screws).



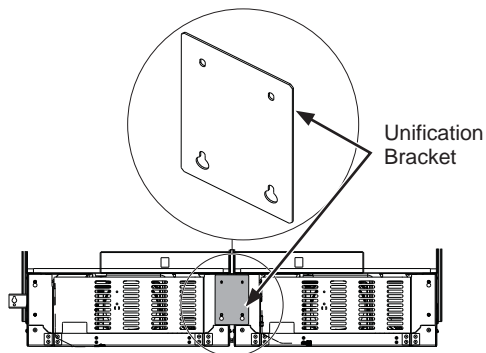
TOP UNIFICATION

- Loosen the middle two screws, remove the two rear screws.
- Assemble the bracket to the middle screws and reassemble the rear screws.
- Tighten screws to tie units together.



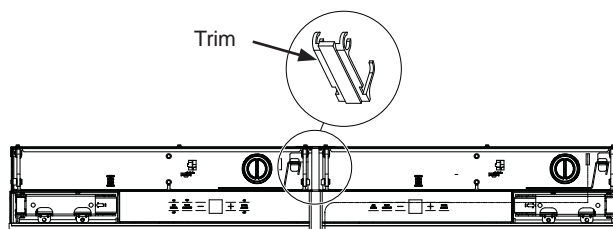
BOTTOM BACK UNIFICATION

- Loosen the two bottom screws of rear access covers of both units and remove the top screws.
- Hang the unification bracket to the bottom screws and reassemble the screws at the top
- Tighten screws to tie units together.



TRIM BRACKET INSTALLATION

- Open both water filter access doors to 90°.
- Snap the trim bracket between the water filter access enclosures above displays.



Installation Instructions

MULLION / ACCESS COVER TRIM INSTALLATION

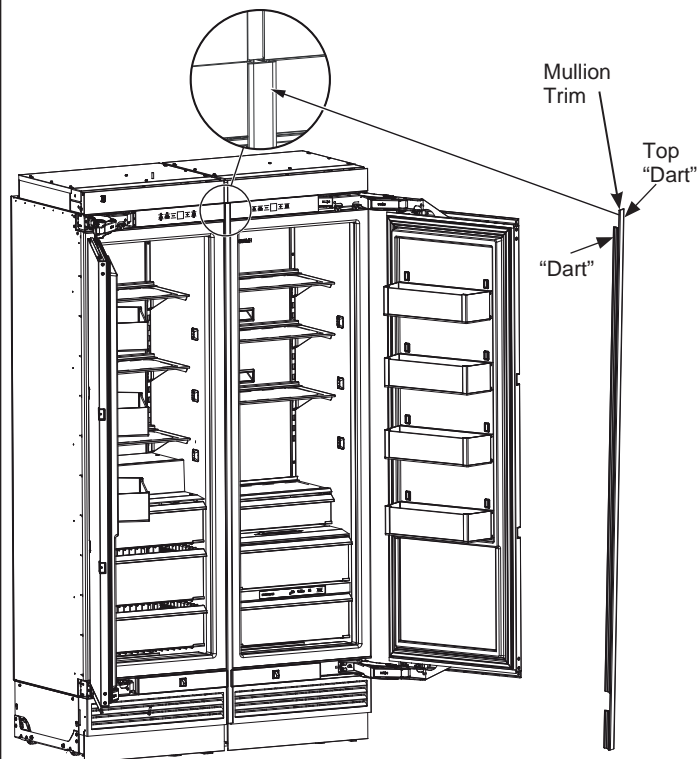
⚠ WARNING



Tip Over Hazard.

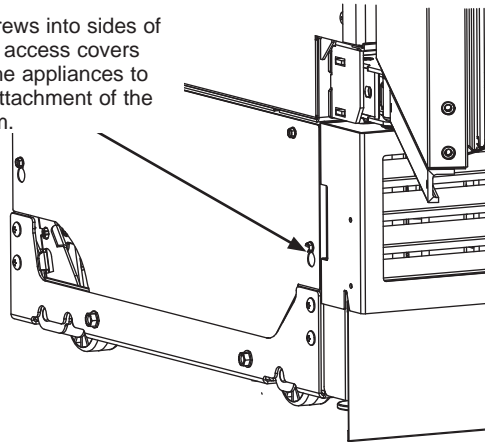
These appliances are top heavy, especially with any doors open, and must be secured to prevent tipping forward which could result in death or serious injury. Read and follow the entire installation instructions for securing the appliance with the anti-tip system before installing trim.

- Install front mullion trim between the 2 units. Open the doors and push the flexible “dart” in the area between units.
- Top dart of the mullion trim must align with the bottom edge of the case trim.



- Drive 2 screws into sides of both lower access covers between the products to enhance attachment of the mullion trim.

Drive 2 screws into sides of both lower access covers between the appliances to enhance attachment of the mullion trim.



FOLLOW ALL INSTALLATION INSTRUCTIONS PROVIDED WITH THE APPLIANCE TO COMPLETE THE DUAL INSTALLATION.