

# GE MONOGRAM® 30" BUILT-IN ADVANTIUM 120 ZSC1202NSS



## REMARKABLE VERSATILITY

Multiple cooking options create four ovens in one--Speedcook, True European convection, sensor microwave and warming ovens -- to bake, broil, brown, roast and warm and proof food

## SPEEDCOOK TECHNOLOGY

Halogen light system combines with microwaves and speedcooks your favorite foods to delicious perfection in minutes, with no preheating

## POWERFUL PERFORMANCE

Oven-quality foods cook up to four times faster than a conventional oven, with no preheating required

## SPACIOUS INTERIOR

Large 1.7-cu.-ft rounded oven cavity with 16" turntable allow full and continual rotation of a 9" x 13" casserole dish; removable oven rack offers the convenience of multi-level cooking

## INSTALLATION FLEXIBILITY

Ovens can be installed in 30" wall cabinet and can also be installed undercounter

## PROFESSIONAL STYLING

Professional models exude power with a premium-grade stainless steel exterior, chamfered edges and a die-cast control knob



**SPECIFICATIONS**

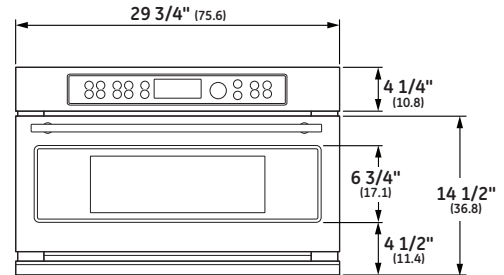
Overall Width	29 3/4" (75.6 cm)
Overall Height	19" (48.3 cm)
Overall Depth	21 1/2" (54.6 cm)
Oven Door Clearance	19" (48.3 cm) Min
Overall Oven Interior Capacity	1.6 cu. ft. (.05 cu. cm)
Oven Interior Dimensions (W x H x D)	20 1/16" x 8 1/2" x 17" (51 cm x 21.6 cm x 43.2 cm)
Minimum Cabinet Width*	30" (76.2 cm)
Minimum Cabinet Depth*	21 1/2" (54.6 cm)
Minimum Base Support	130 lbs (59 kg)
Cutout Width*	25 1/4" (64.1 cm) Min
Cutout Height*	27 5/8" (70.2 cm) Min
Cutout Depth*	17 1/2" (44.5 cm) Min
Voltz/Hertz/Amps	240/208V AC, 60 Hz, 20A
Conduit Length	48" (121.9 cm)
Electrical Rating	4.72 kW at 208V
Total Amps	6.3 kW at 240V
Shipping Weight	87 lbs (39.5 kg)

\* Additional space will be needed for flush installation.

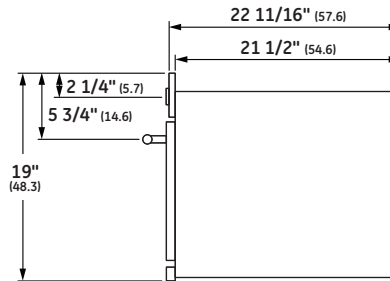
**ATTENTION ELECTRICIAN:**

A 240/208V, 60Hz, 20 Amp circuit is required. An individual properly grounded branch circuit or circuit breaker is required. Hardware junction box is required for built-in product.

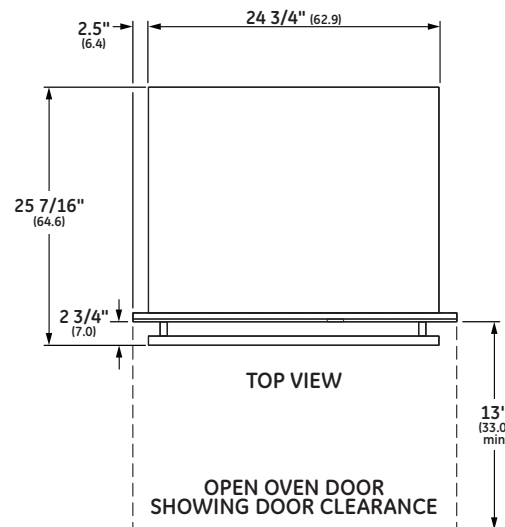
**OVERALL DIMENSIONS**



**FRONT VIEW (SHOWING CUTOUT OVERLAP)**



**SIDE VIEW**

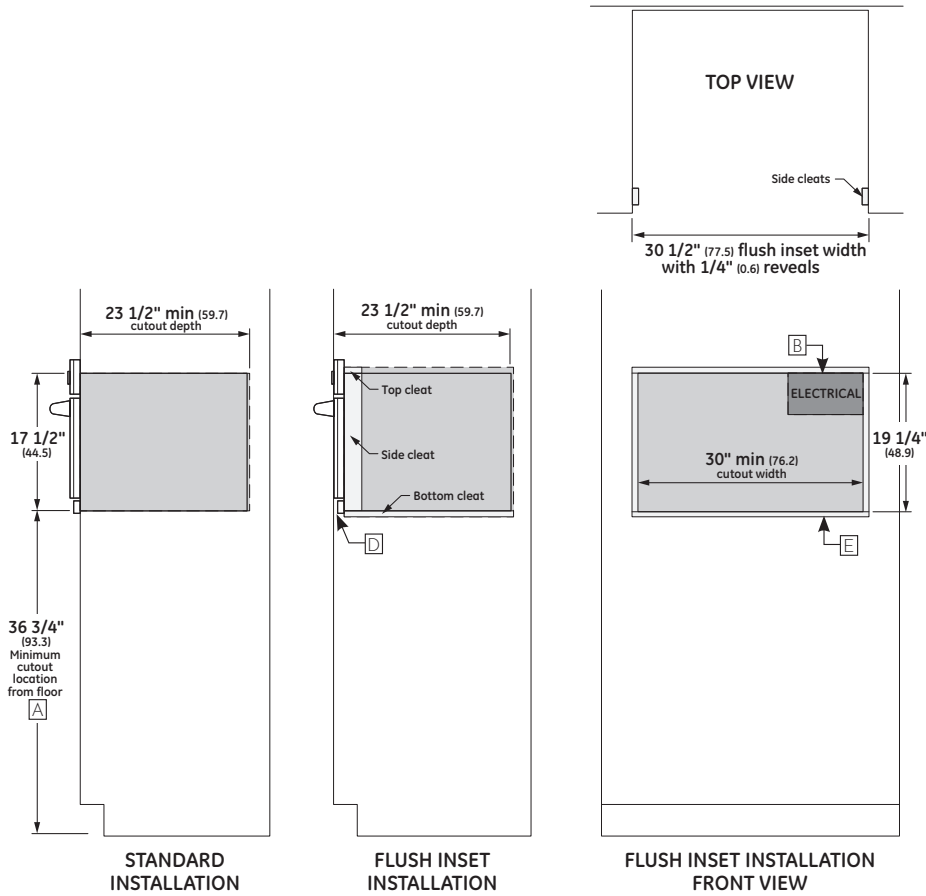


**TOP VIEW**

**OPEN OVEN DOOR  
SHOWING DOOR CLEARANCE**

Dimensions in parentheses are in centimeters unless otherwise noted. Actual product dimensions may vary due to manufacturing tolerances.

## WALL INSTALLATION

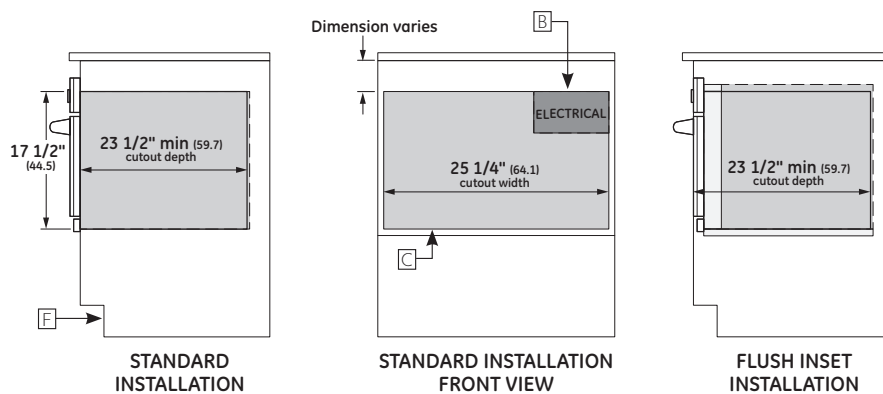


## STANDARD INSTALLATION

### HELPFUL TIPS

- [A] Based on a user height of 5' 6" to 5' 10"
- [B] Junction box location (May also be located in adjacent cabinet.)
- [C] Platform must be able to support 200 lbs (90 kg)
- [D] Top surface of cabinet must be an appearance finished surface for flush installation.
- [E] Cleats may be visible and should be finished to match cabinetry.
- [F] Maximum toe kick height of 4" when installed beneath a certified cooktop.

## UNDERCOUNTER INSTALLATION



For more details, refer to the installation instructions for this product on Monogram.com. Dimensions in parentheses are in centimeters unless otherwise noted.