

# GTWN5450D GE® 3.8 DOE cu. ft. stainless steel capacity washer

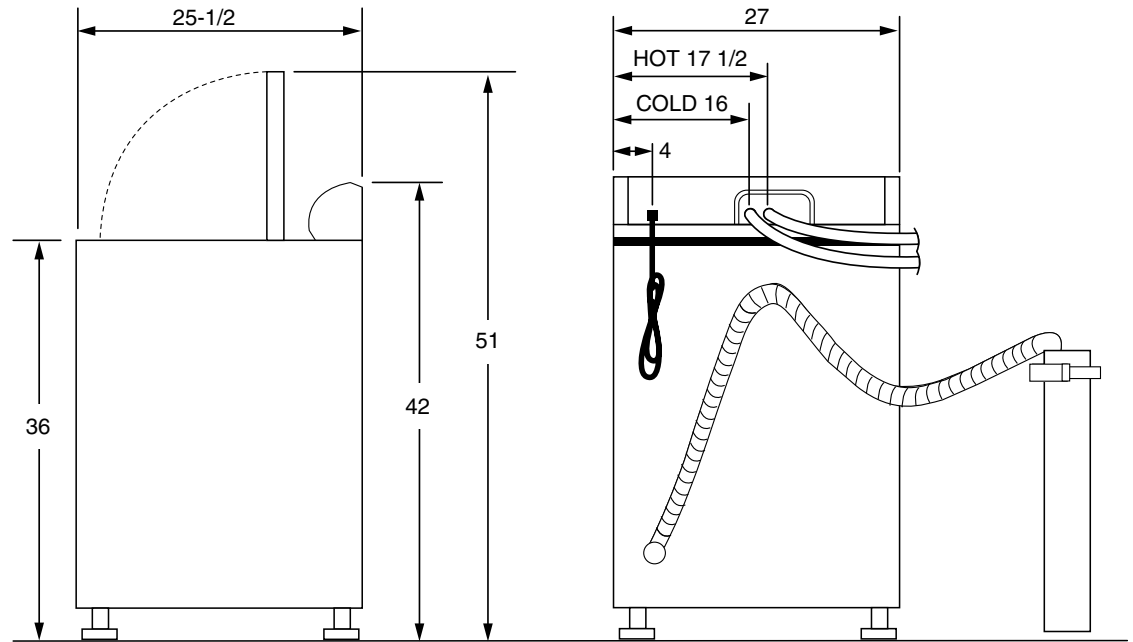
## Dimensions and Installation Information (in inches)

**Circuit Requirements:** An individual, properly-grounded branch circuit, with a three-prong grounding-type receptacle, protected by a 15 or 20 amp circuit breaker or a time-delay fuse, is required.

**Electrical Rating:** 120V, 60Hz, 10A

**Note:** Washer wall outlet must be located within 36" of service code entry. Wall outlet must not be located behind dryer.

**Installation Information:** Before installing, consult installation instructions packed with product for current dimensional data.



Side View

Rear View

For answers to your Monogram®, GE Profile™ or GE® appliance questions, visit our website at [geappliances.com](http://geappliances.com) or call GE Answer Center® service, 800.626.2000.



**GE APPLIANCES**



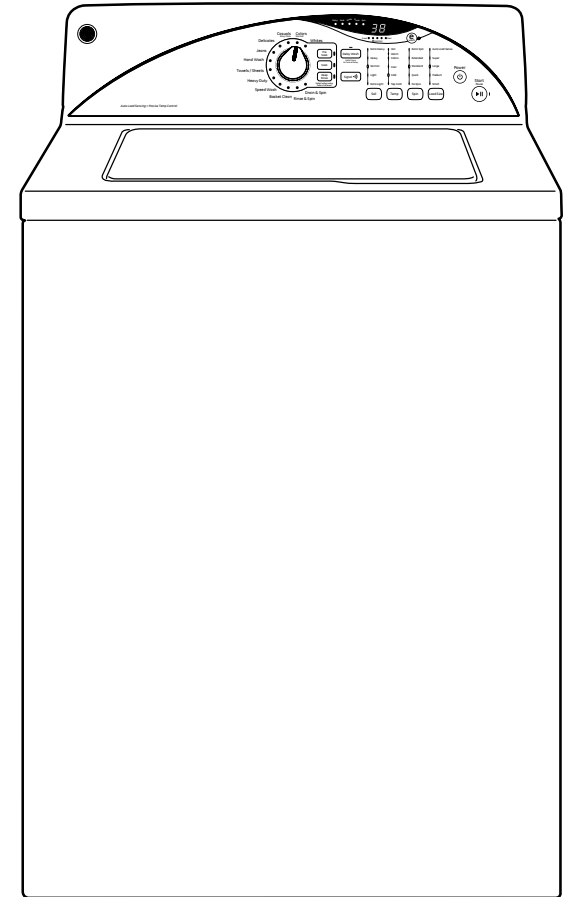
Listed by  
Underwriters  
Laboratories

Specification Revised 2/15

# GTWN5450D GE® 3.8 DOE cu. ft. stainless steel capacity washer

## Features and Benefits

- Quiet Agitator wash system—longer, slower travel provides gentle, thorough cleaning
- LED electronic controls with cycle countdown display show exactly how much time is left for each cycle
- eWash option—energy saving option uses a cold-water wash on select cycles without sacrificing performance
- eMonitor—an electronic readout shows the exact efficiency of each cycle so the user can decide how they want to wash each load
- 20 wash cycles handle various fabrics and soils
- Auto-Load Sensing with the option of 4 water level selections will automatically measure the load size and add just the right amount of water
- Bleach and fabric softener dispensers automatically operate with wash cycle
- 700-RPM spin speed—fast spin speeds remove water efficiently and minimize dry times
- Model GTWN5450DWW – White



<b>Modified Energy Factor (iMEF)*</b>	1.5
<b>Water Factor (iWF)*</b>	5.5

\*Certified by 10CFR-430 appendix J1

