

ZGU36KSK/WK/BK

GE Monogram® 36" Gas on Glass Cooktop

Dimensions and Installation Information (in inches)

Combination Installations

Consideration must be given to the electrical supply locations when the cooktop is installed with other products in the same cabinet. Always refer to each product's installation instructions for clearances and electrical requirements.

- Install these cooktops with any 36" or wider exhaust hood with 300 CFM or greater air flow rating.
- This cooktop may be installed in combination with a Monogram 36" downdraft vent.
- This cooktop may be installed above a Monogram 30" warming drawer.
- This cooktop may be installed above most Monogram single ovens.

Gas Supply

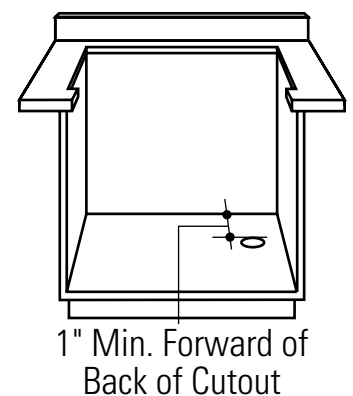
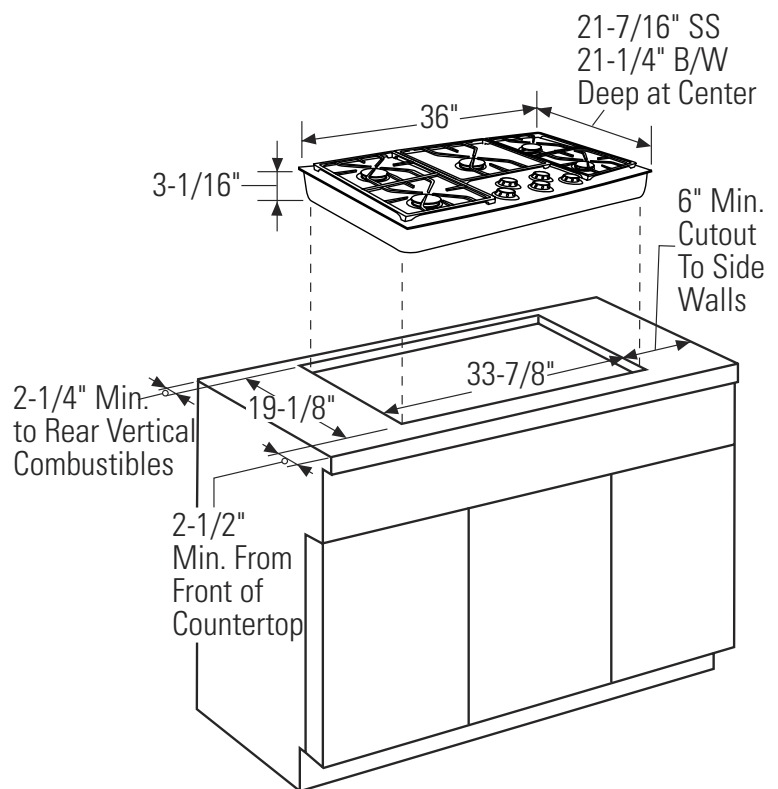
- These cooktops are designed to operate at 5" water column pressure. A regulator is required at the natural gas source to provide a maximum of 7" water pressure to the cooktop regulator.
- When converted to liquid propane operation, they are designed to operate at 10" water column pressure. A regulator is required at the LP source to provide a maximum of 14" water pressure to the cooktop regulator.

Electrical Requirements

This cooktop requires a 120V, 60Hz power supply. A separate circuit, protected by a 15-amp time-delay fuse or circuit breaker, is required. The receptacle should be checked by a qualified electrician for correct polarity and proper grounding.

Note: Locate the gas on the right side, 1" forward of the back of the cutout. Install an electrical outlet 12" below the countertop.

For answers to your Monogram®, GE Profile™ or GE® appliance questions, visit our website at ge.com or call GE Answer Center® service, 800.626.2000.

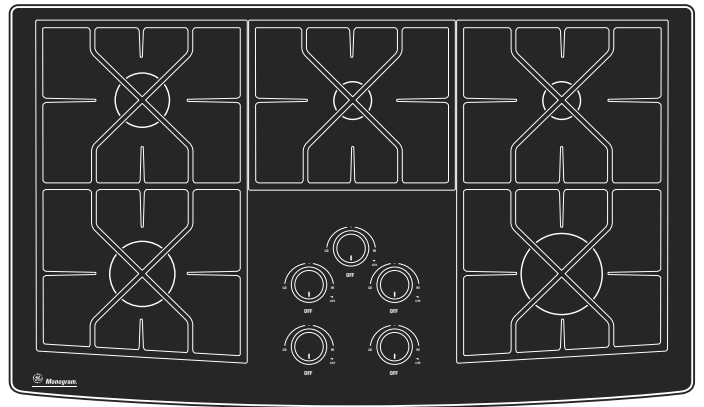


ZGU36KSK/WK/BK

GE Monogram® 36" Gas on Glass Cooktop

Features and Benefits

- Sophisticated styling – Front edge is curved to form an attractive, soft arc to complement Monogram hoods
- Precise, versatile temperature control – The burners provide a range of heat intensities for precision cooking
- Interlocking continuous grates – Cast-iron, porcelain-enameled burner grates interlock to allow heavy pots to easily slide from burner to burner; grates are dishwasher safe
- Soft-touch control knobs – Tactile knobs are easy to use
- Model ZGU36KSKSS – Stainless steel
- Model ZGU36KWKWW – White on white
- Model ZGU36KBKBB – Black on black (shown)



imagination at work

Specification Created 12/04

130252