

JB968TK/KK/BK

GE Profile™ 30" Free-Standing Double Oven Range

Dimensions and Installation Information (in inches)

KW Rating	
240V	14.2
208V	10.7
Breaker Size	
40 Amps†	

†**Note:** Check local codes for required breaker size.

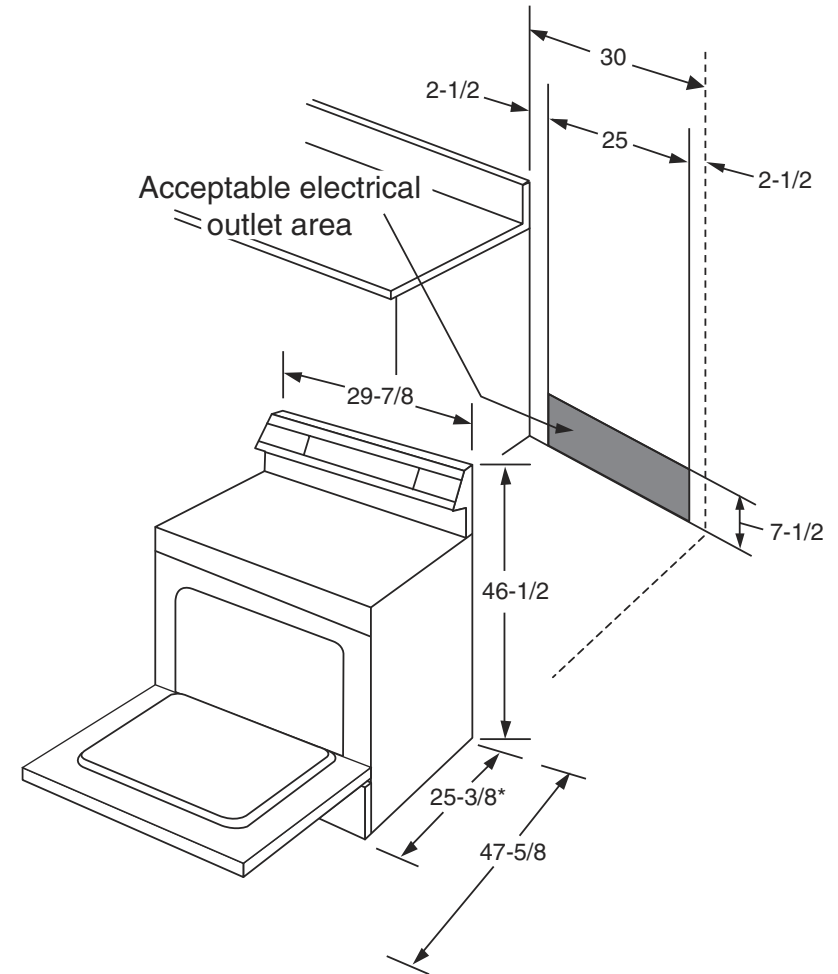
Effective January 1, 1996, the National Electrical Code requires that new construction (not existing) utilize a 4-conductor connection to an electric range.

Receptacle Locations: Locally approved flexible service cord or conduit must be used because terminals are not accessible after range installation. See shaded area in drawing for location of electrical outlet box. Recommended outlet locations allow range to be installed directly against wall.

Note: 30" ranges conform to U.L. requirements for 0" spacing from adjacent walls below countertops. To reduce possibility of scorching walls, engineering recommends a minimum of 1-1/2" spacing to allow for possible extended, high-heat, no-load heating element operation.

Installation information: Before installing, consult installation instructions packed with product for current dimensional data.

For answers to your Monogram®, GE Profile™ or GE® appliance questions, visit our website at ge.com or call GE Answer Center® service, 800.626.2000.



*Dimension from wall to front of closed door handle is 27-3/8".



All GE ranges are equipped with an Anti-Tip device. The installation of this device is an important, required step in the installation of the range.



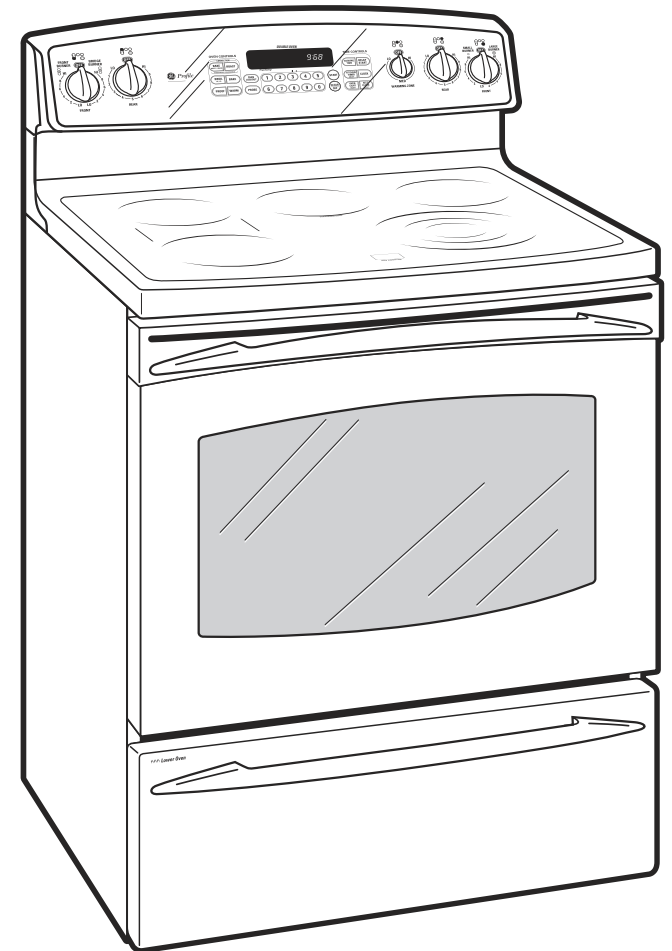
Listed by Underwriters Laboratories

JB968TK/KK/BK

GE Profile™ 30" Free-Standing Double Oven Range

Features and Benefits

- Precise Air™ Convection System - Delivers even air and heat circulation for superior baking and roasting results
- Single/Multi-Rack Convection Bake - Provides ideal airflow throughout the oven, ensuring optimal results on both racks
- Hidden Bake Oven Interior - Hides previously exposed bottom element to deliver a clean interior appearance
- Lower Oven - Offers an additional 1.2 cu. ft. of capacity for convenient baking from 140 degrees to 450 degrees
- 12"/9"/6" Tri-Ring Element - Provides three cooking areas in one for the ultimate in cooking versatility
- Self-Clean Oven - Conveniently cleans the oven cavity without the need for scrubbing
- TrueTemp™ System - Delivers even heat distribution and maximum oven control
- QuickSet V Glass Touch Oven Controls - Feature a smooth glass design that is easy-to-operate and easy-to-clean
- Self-Clean Heavy-Duty Oven Racks - Double coated procelain-enameled racks no longer require hand cleaning
- Bridge Element - Combines three cooktop elements into one large cooking area, ideal for oversized cooking pans
- Warming Zone - Provides low heat capability for foods, making meal coordination simple
- Super-Large 5.3 Cu. Ft. Oven Capacity - Provides an impressively large oven interior for cooking more dishes and large meals at one time
- Model JB968TKWW – True white (white glass door and true white cooktop)
- Model JB968KKCC – True bisque (bisque glass door and true bisque cooktop)
- Model JB968BKBB - Black on black (black glass door and black patterned cooktop)



imagination at work