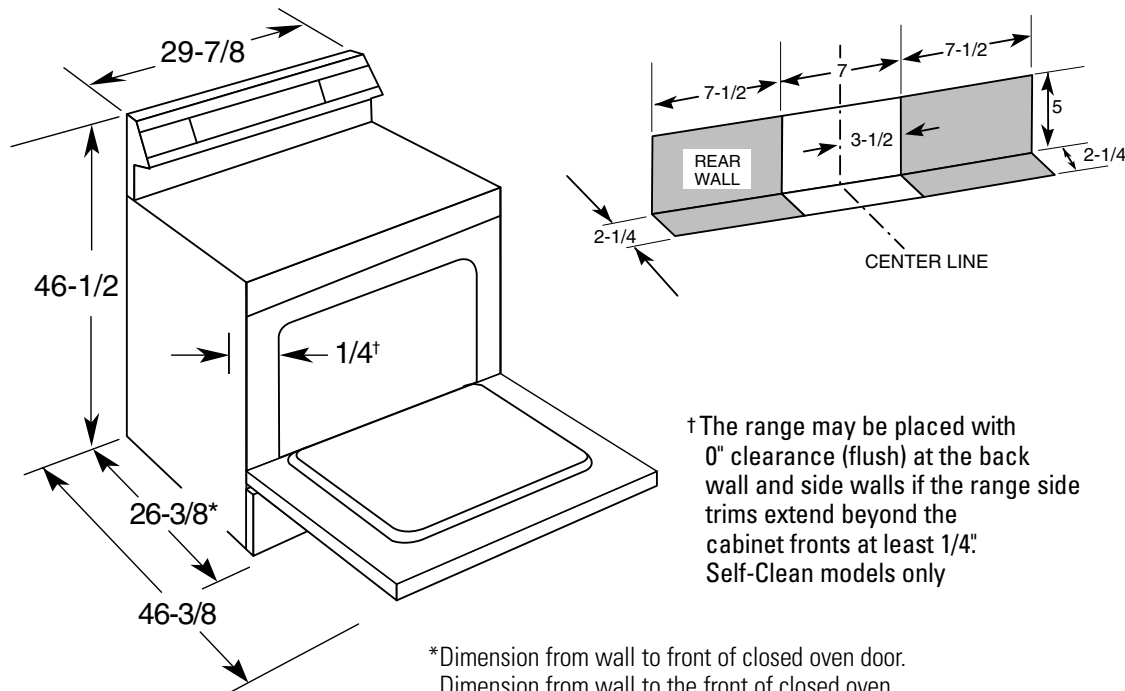


# HOTPOINT®

## RB757WH/CH/EH – Hotpoint 30" Free-Standing Electric Range

### Dimensions (in inches)



† The range may be placed with 0" clearance (flush) at the back wall and side walls if the range side trims extend beyond the cabinet fronts at least 1/4". Self-Clean models only

\*Dimension from wall to front of closed oven door.  
Dimension from wall to the front of closed oven door handle is 28-1/2".

| KW Rating    |      |
|--------------|------|
| 240V         | 11.7 |
| 208V         | 8.8  |
| Breaker Size |      |
| 40 Amps†     |      |

†**Note:** Check local codes for required breaker size.

Effective January 1, 1996, the National Electrical Code requires that new construction (not existing) utilize a 4-conductor connection to an electric range.

**Note:** 30" Electric Ranges conform to U.L. requirements for 0" spacing from walls below countertops. Allow 1-1/2" spacing from the side of the range to adjacent vertical walls above the cooktop surface.

**Receptacle Locations:** Locally approved flexible service cord or conduit must be used because terminals are not accessible after range installation. See shaded area in drawing for location of electrical outlet box. Recommended outlet locations allow range to be installed directly against rear wall.

**Installation Information:** Before installing, consult installation instructions packed with product for current dimensional data.



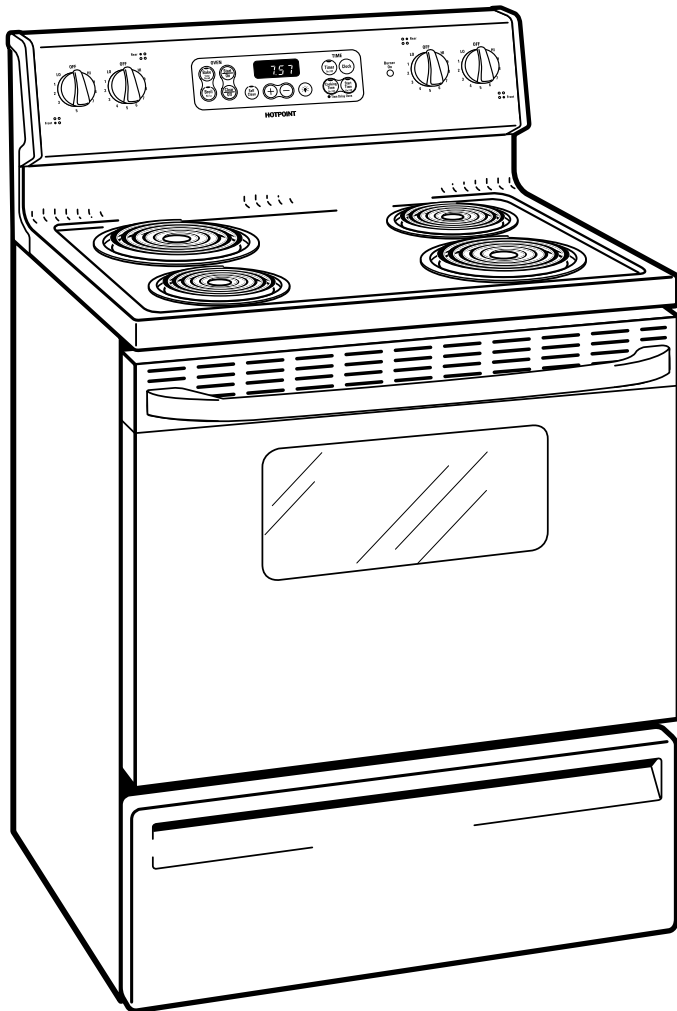
All Hotpoint ranges are equipped with an Anti-Tip device. The installation of this device is an important, required step in the installation of the range.



Listed by Underwriters Laboratories

# HOTPOINT®

## RB757WH/CH/EH – Hotpoint 30" Free-Standing Electric Range



### Features and Benefits

- Self-Clean Oven – Conveniently cleans the oven cavity without the need for scrubbing.
- Super-Large Oven Capacity – Provides an impressively large oven interior for cooking more dishes and large meals at one time.
- Coil Heating Elements – Provide consistent and even heat on the cooktop with a plug-in element that is removable for easy cleaning.
- Electronic Oven Controls – One-touch electronic pads are easy-to use and allow for simple oven operation.
- Standard Window – Provides a convenient viewing area to check the progress of food.
  
- Frameless Glass Oven Door – Offers an easy-to-clean and stylish design that blends seamlessly into existing cabinetry.
- Porcelain Upswept Cooktop – Features raised edges to help contain spills and make clean-up easy.
- Model RB757WHWW – White on white (white glass door and white cooktop)
- Model RB757CHCC – Bisque on bisque (bisque glass door and bisque cooktop)
- Model RB757EHBB – Black on black (black glass door and black cooktop)
- Model RB757BHWH – White (black glass door and white cooktop)
- Model RB757BHCT – Bisque (black glass door and bisque cooktop)