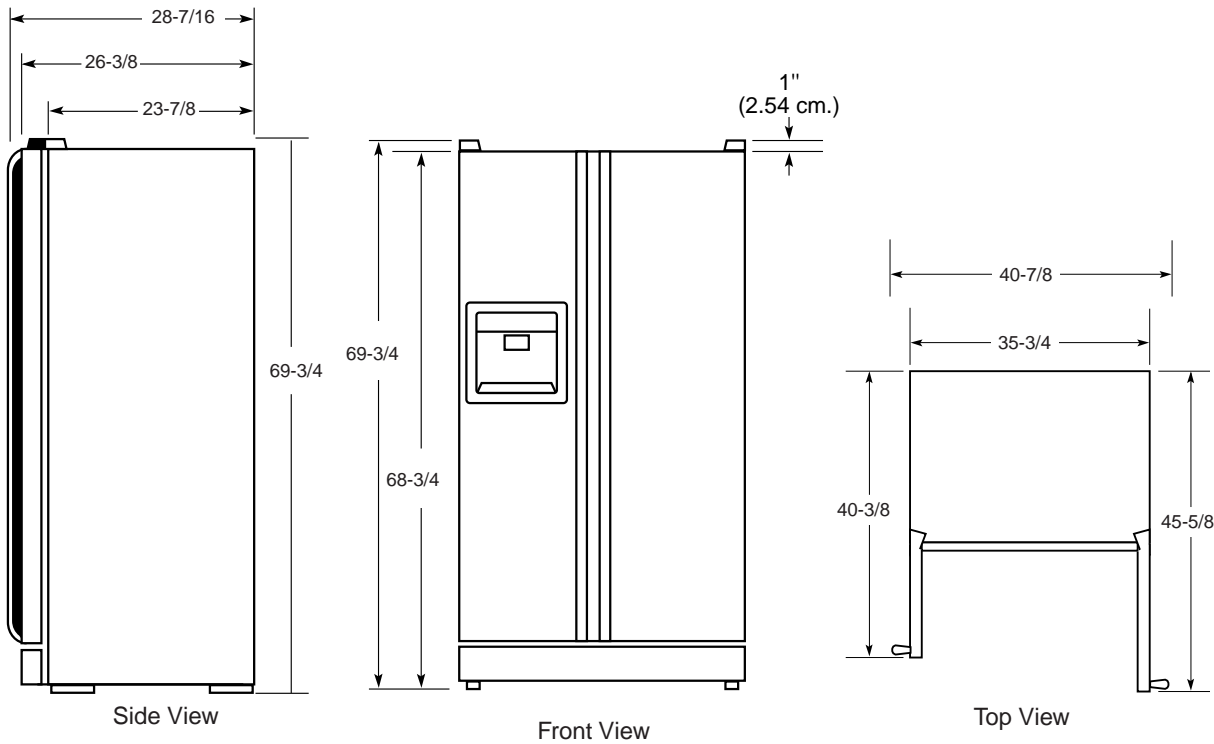




# Profile Performance Series™

## TPX24PPBWW—GE Profile Performance™ CustomStyle™ Side-by-Side Refrigerator

Case Dimensions (in inches/cm.)



For answers to your Monogram®, GE Profile Performance Series™, GE Profile™ or GE appliance questions, call GE Answer Center® service, 800.626.2000.

Specification Revised 11/99



Total volume and shelf area are calculated by the Association of Home Appliance Manufacturers' standards.



Listed by Underwriters Laboratories

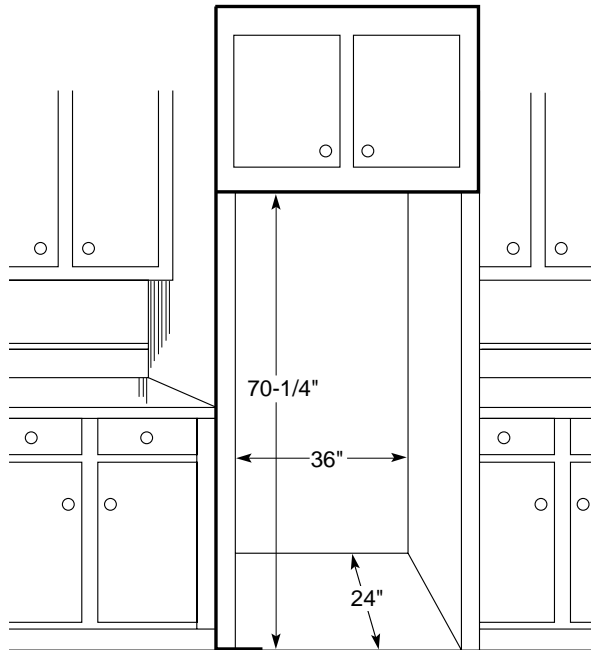




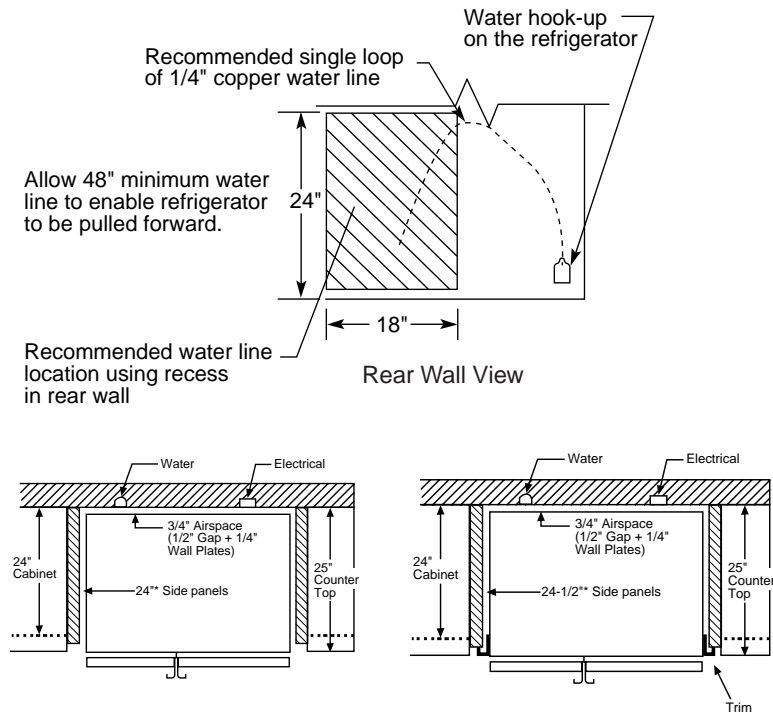
# Profile Performance Series™

## TPX24PPBWW—GE Profile Performance™ CustomStyle™ Side-by-Side Refrigerator

### Rough-In Dimensions (in inches)



### Installation of Water and Electrical Outlets



### Standard, New Construction and Replacement Installation

#### Installation Tips to Maximize the Built-In Look

- All wall/floor moulding should be removed prior to installation.
- Water recess on rear wall recommended to prevent water line damage. 48" minimum length 1/4" diameter water line tubing recommended.
- When possible, recess both water line and electrical outlet. (See local codes)
- Front and rear leveling legs are adjustable for the "Built-In" look. (See owner's manual)
- If optional collar trim kit is to be used or anticipated, see collar trim installation on next page for different rough-in dimensions.

For answers to your Monogram®, GE Profile Performance Series™, GE Profile™ or GE appliance questions, call GE Answer Center® service, 800.626.2000.



Total volume and shelf area are calculated by the Association of Home Appliance Manufacturers' standards.



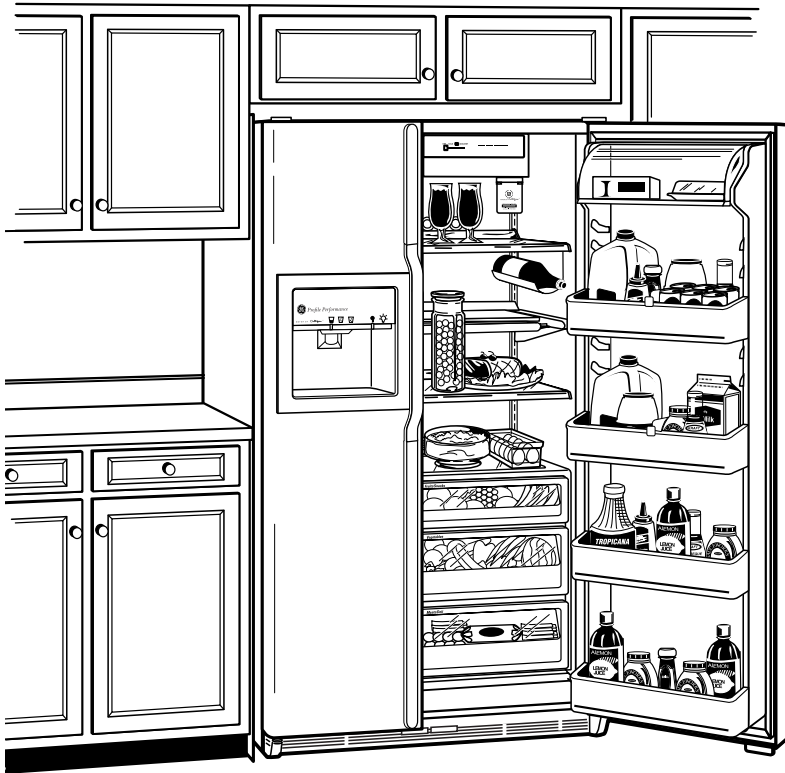
Listed by Underwriters Laboratories





## Profile Performance Series™

### TPX24PPBWW—GE Profile Performance™ CustomStyle™ Side-by-Side Refrigerator



#### Features and Benefits

- Traditional Style
- 23.5 cu ft (Fresh Food 14.48 cu ft / Freezer 9.05 cu ft)
- Exclusive Water by Culligan™ Provides Cleaner, Better Tasting Water and Ice through the LightTouch! Dispenser (Chilled Water, Cubed and Crushed Ice)
- Smart Storage System (1 Adjustable Humidity Crisper, 1 Convertible Meat Keeper with Cold Control and 1 Adjustable Humidity Snack Pan)
- 3 Adjustable Glass Fresh Food Cabinet Shelves (2 Slide Out, Spill Proof)
- Quick Space™ Shelf
- Beverage Rack
- Dairy Compartment
- Adjustable Modular Gallon Door Bins
- 1 Wire Everwhite, Slide Out Freezer Baskets
- 1 Wire Everwhite Freezer Storage Bin
- 3 Cantilevered Freezer Shelves (2 Adj.)
- 4 Freezer Door Shelves (2 Adjustable)
- Quiet Package
- Premium Deluxe Color-Matched Door Handles
- Rounded Doors
- Model TPX24PPBWW—White on White
- Model TPX24PPBBB—Black on Black
- Model TPX24PPBAA—Almond on Almond
- Model TPS24PPBBS—Stainless Steel
- Model TPX24PPBCC—Bisque