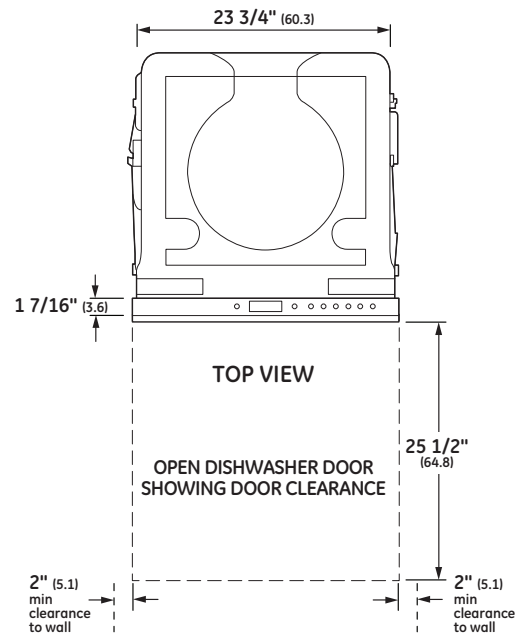
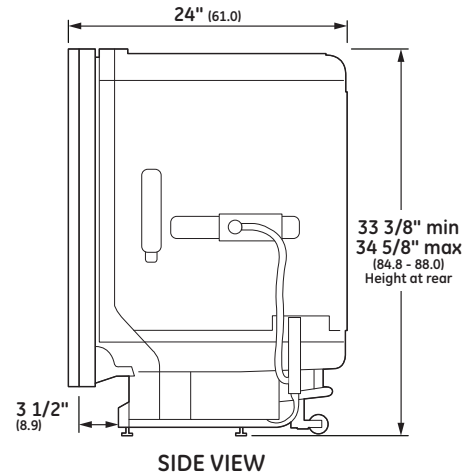
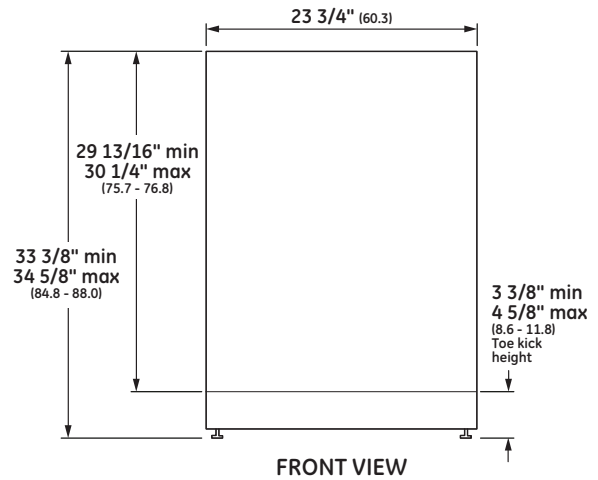




OVERALL DIMENSIONS



SPECIFICATIONS

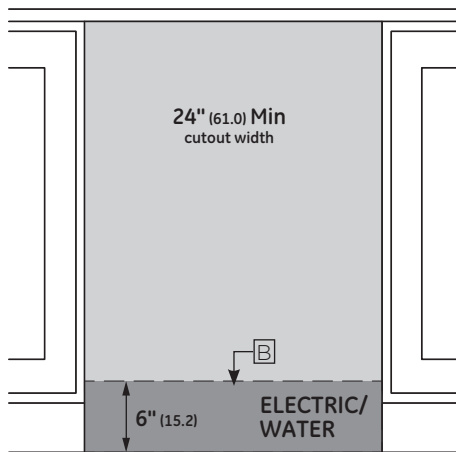
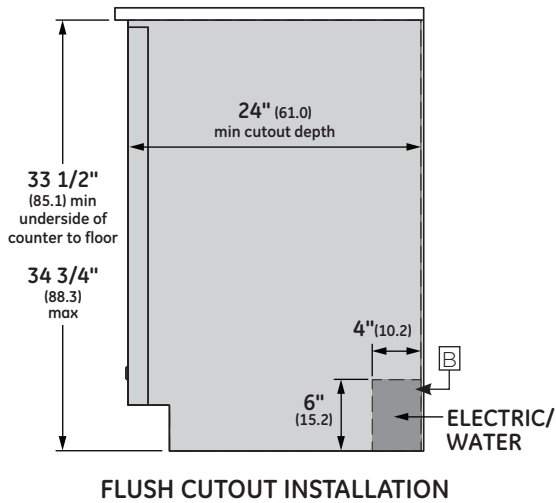
Overall Width	23 3/4" (60.3 cm)
Overall Height	33 3/8" (84.8 cm) Min 34 5/8" (88.0 cm) Max
Overall Depth	24" (61 cm)
Door Clearance	25 1/2" (64.8 cm)
Overall Dishwasher Capacity	16 Place Settings
Minimum Cabinet Width	24" (61 cm)
Minimum Cabinet Depth	24" (61 cm)
Cutout Width	24" (61 cm)
Cutout Height	33 1/2" (85.1 cm) Min 34 3/4" (88.3 cm) Max
Electrical Requirements	9.0 A
Hose Length	No more than 12' (3.7 m)
Voltz/Hertz/Amps	115 V, 60 Hz, 15 or 20 amp circuit
Shipping Weight	119 lb (54 kg)

Dimensions in parentheses are in centimeters unless otherwise noted.

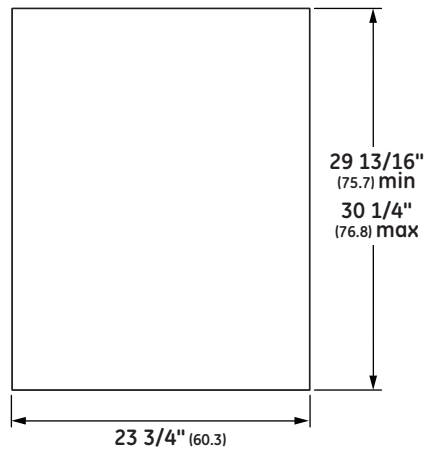
ELEVATE EVERYTHING™



INSTALLATION



CUSTOM PANEL



D

NOTES

- A The dishwasher drain hose must be no more than 12 feet in length for proper drainage.
- B Electrical connections are at the right front of the dishwasher and water connections are on the left. The hot water line should extend forward 30" to 40" from the rear wall. The electrical must extend forward at least 24" to reach the junction box.
- C To prevent siphoning, an air gap or high drain loop must be used.
- D A custom panel installation template (Part No. WD35X20417) is available from GE Parts and Accessories (US 800.626.2002, Canada 800.561.3344).

ELEVATE EVERYTHING™



CUSTOM DISHWASHER DOOR PANEL TEMPLATE  
GE PART NO. WD35X20417

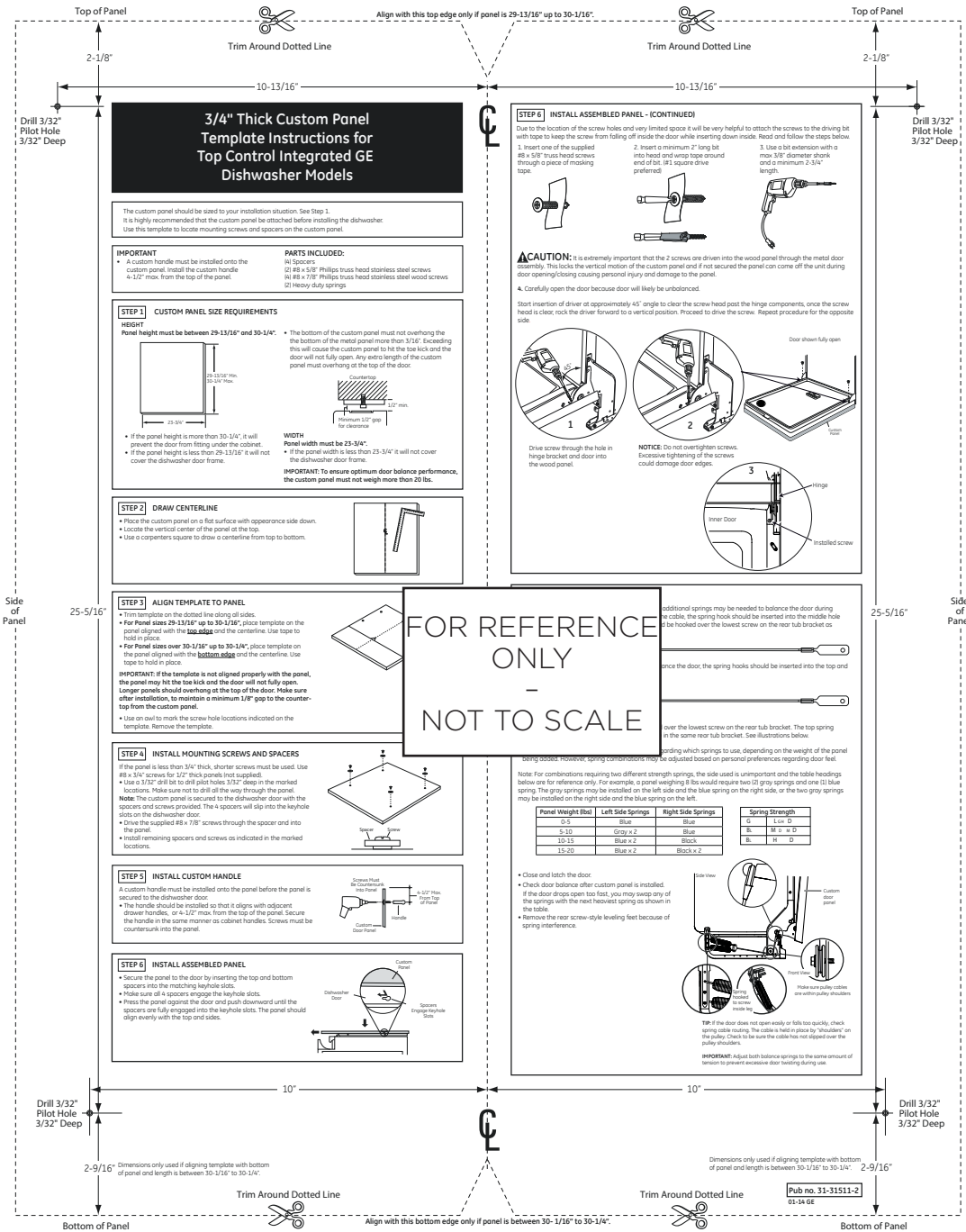
SPECIAL NOTES

The custom panel and custom handle of your choice should be secured to the dishwasher before installation begins. A template with instructions and installation hardware is provided.

For planning purposes, you may order the template in advance by calling 1.800.GE.CARES (1.800.423.2737) or by visiting our website at [GEAppliances.com](http://GEAppliances.com) in the United States.

In Canada, call 1.800.561.3344 or visit [www.GEAppliances.ca](http://www.GEAppliances.ca). Order Part No. WD35X20417. Complete panel installation instructions are included on the template.

Maximum panel weight is 20 LBS (9.1 kg).



CALL 1-800-626-2000

For a full-size panel template with complete panel installation instructions.

ELEVATE EVERYTHING



## FEATURES AND BENEFITS

**MOST ADVANCED WASH SYSTEM WITH MORE THAN 140 CLEANING JETS**

Achieve the ultimate clean from an industry-leading number of jets that deliver complete washing coverage to every corner of the dishwasher

**DEEP CLEAN SILVERWARE JETS**

Powerful jets blast away stuck-on food for silverware that's always spotless

**BOTTLE JETS**

Hard-to-reach areas inside tall items get completely clean with four dedicated jets integrated into the upper rack that shower water deep inside for the ultimate clean

**LED LIGHTING**

Illuminates the entire interior, leaving no question as to whether or not dishes have been cleaned

**42 DBA QUIET OPERATION**

Is made possible by advanced sound-absorbing materials and a smooth-running motor

**CABINET DEPTH INSTALLATION**

Customize this appearance with a panel to match the décor of your kitchen - true flush capable, even with inset cabinets

**WIFI CONNECT**

Monitor performance and check cycle status using your mobile device

**EASY TOUCH ADJUSTABLE UPPER RACK WITH 2 STEM SAFE WINE GLASS HOLDERS**

Quickly adjust the upper rack 2 inches up or down to accommodate tall glassware and 10-1/2" plates with plenty of room in the bottom rack for large platters and cookie sheets

**WASH ZONES**

Wash a true half-load in either the upper or lower rack without sacrificing options and cycles available on a full wash



Residential

ELEVATE EVERYTHING

**MONOGRAM**