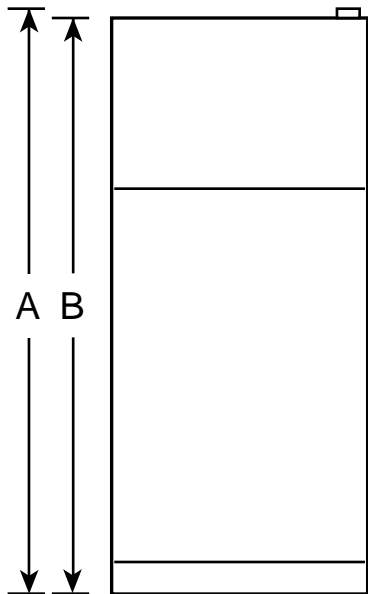


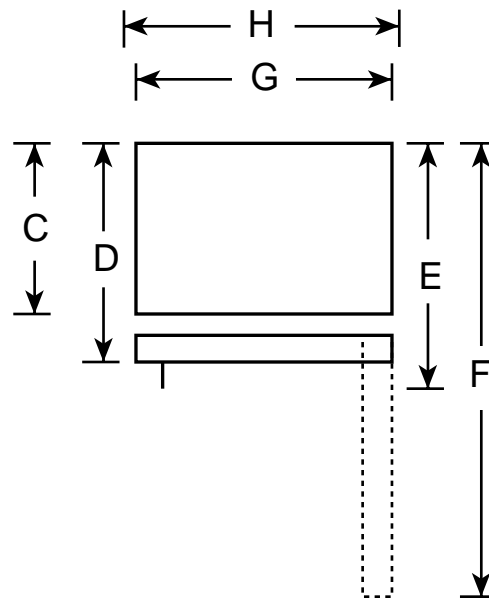
HOTPOINT

CTX18BACAA - Hotpoint 17.6 Cu. Ft. Top-Freezer Refrigerator

Front View



Top View



Overall Dimensions	Height with hinge (in.) A	67-1/4
	Height without hinge (in.) B	63-3/4
	Depth without Doors (in.) C	26-1/2
	Depth with Doors (in.) D	30
	Depth plus Handle with Doors Closed (in.) E	31-1/4
	Depth with Doors open 90° (in.) F	55-7/8
	Width with Doors Closed (in.) G	28
	Width with Doors open 90° Less Door Handles (in.) H	30-1/2
Air Clearances	Each side (in.)	3/4
	Top (in.)	1
	Back (in.)	1

Note: Before installing, consult installation instructions packed with product for current dimensional data.



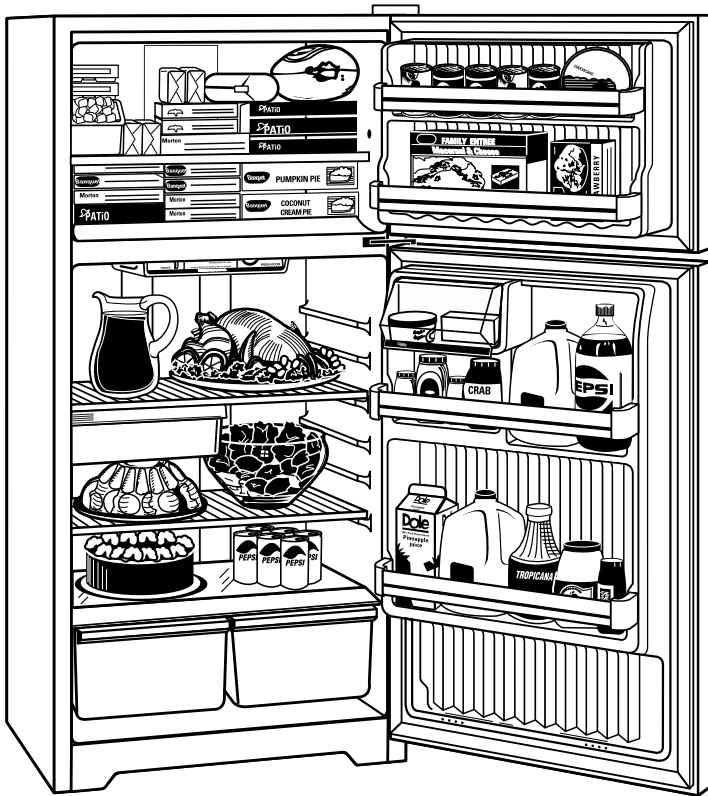
Total volume and shelf area are calculated by the Association of Home Appliance Manufacturers' standards.



Listed by Underwriters Laboratories

HOTPOINT

CTX18BACAA - Hotpoint 17.6 Cu. Ft. Top-Freezer Refrigerator



Features and Benefits

- 17.6 cu ft Capacity (Fresh Food 13.60 cu ft / Freezer 4.00 cu ft)
- Equipped for Optional Automatic Icemaker
- 2 Vegetable/Fruit Crispers
- Snack Pan
- 2 Full-Width Adjustable Wire Everwhite Fresh Food Cabinet Shelves
- 2 Fresh Food Gallon Door Shelves with Tall Bottle Storage
- Dairy Compartment
- Utility Bin
- 1 Adjustable, Full-Width Wire Everwhite Freezer Shelves
- 2 Freezer Door Shelves
- 2 Ice 'N Easy Trays
- Color-Matched Door Handles
- Model CTX18BACWW - White on white
- Model CTX18BACAA - Almond on almond