

Installation Instructions

JXRB67 Kit

For Indoor Remote Blower Locations



WARNING

TO REDUCE THE RISK OF FIRE, ELECTRIC SHOCK OR INJURY TO PERSONS, OBSERVE THE FOLLOWING:

- A. Use this unit only in the manner intended by the manufacturer. If you have questions, contact the manufacturer at the address or telephone number listed in the warranty.
- B. Before servicing or cleaning unit, unplug or switch power off at service panel and lock service disconnecting means to prevent power from being switched on accidentally. When the service disconnecting means cannot be locked, securely fasten a prominent warning device, such as a tag, to the service panel.
- C. Installation work and electrical wiring must be done by qualified person(s) in accordance with all applicable codes and standards, including fire rated construction.
- D. Sufficient air is needed for proper combustion and exhausting of gasses through the flue (chimney) of fuel burning equipment to prevent back drafting. Follow the heating equipment manufacturer's guideline and safety standards such as those published by the National Fire Protection Association (NFPA), and the American Society for Heating, Refrigeration and Air Conditioning Engineers (ASHRAE), and the local code authorities.
- E. When cutting or drilling into a wall, ceiling or floor, do not damage electrical wiring and other hidden utilities.
- F. Ducted fans must always be vented to the outside.
 - For general ventilating use only. Do not use to exhaust hazardous or explosive materials and vapors.



CAUTION:

Before beginning installation, read the Installation Instructions provided with the Downdraft Vent. Insure that the duct run does not exceed maximum permissible length for the cooking product being installed.



AVERTISSEMENT

IL FAUT OBSERVER LES PRÉCAUTIONS SUIVANTES POUR RÉDUIRE LES RISQUES D'INCENDIE, DE CHOC ÉLECTRIQUE OU DE BLESSURES.

- A. Utiliser cet appareil uniquement de la manière prévue par le constructeur. Pour toute question concernant cet appareil, contacter le constructeur à l'adresse ou au numéro de téléphone indiqué dans la garantie.
- B. Avant une intervention ou le nettoyage de l'appareil, le débrancher ou couper l'alimentation électrique au panneau électrique et verrouiller le coupe-circuit pour empêcher la remise accidentelle sous tension. Quand il n'est pas possible de verrouiller le coupe-circuit, mettre fermement en place un dispositif d'avertissement, une pancarte par exemple, sur le panneau électrique.
- C. Les travaux d'installation et de câblage électrique doivent être faits par des personnes qualifiées, conformément aux codes et réglementations, y compris une construction résistant aux incendies.
- D. Il doit y avoir suffisamment d'air pour permettre la combustion et l'évacuation des gaz dans la cheminée de tout équipement à foyer, afin d'éviter un retour de flamme. Il faut suivre les directives du constructeur de l'équipement de chauffage et les normes de sécurité telles que celles publiées par le Code national de prévention des incendies du Canada et l'American Society for Heating, Refrigeration and Air Conditioning Engineers (ASHRAE) et les codes locaux.
- E. Lors de la coupe ou du perçage dans un mur, un plafond ou un sol, il faut prendre soin de ne pas endommager les fils électriques et autres services cachés.
- F. Les ventilateurs canalisés doivent toujours être évacués à l'extérieur.
 - Pour utilisation pour la ventilation générale seulement. Ne pas utiliser pour évacuer des matériaux ou des gaz dangereux ou explosifs.



PRUDENCE

– Avant de commencer l'installation, il faut lire les instructions fournies avec l'évent vertical vers le bas. Vérifier que la longueur du conduit n'est pas supérieure à la longueur maximale permise pour l'appareil de cuisson à installer.



BEFORE YOU BEGIN

Read these instructions completely and carefully.

IMPORTANT - Save these instructions for local inspector's use.

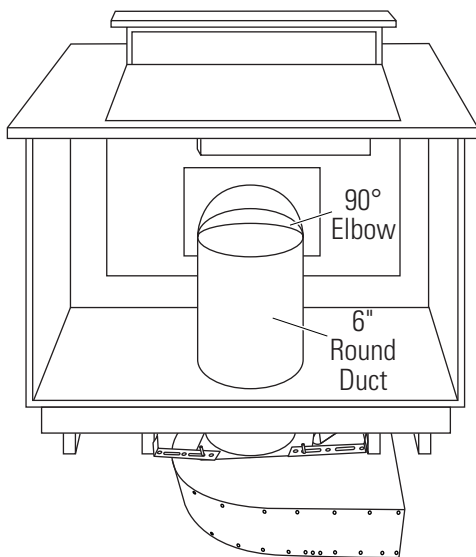
IMPORTANT - Observe All Governing Codes and Ordinances.

Note to Installer - Be sure to leave these instructions with the Consumer.

Note to Consumer - Keep these instructions for future reference.

JXRB67 KIT

This kit provides for the installation of the blower and motor outside of the cabinet, such as below the floor. Use this kit for indoor remote installations only. It must be installed in an accessible location.



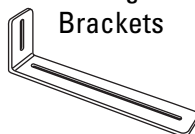
Tools and Materials required:

- Chalk or Pencil
- Measuring tape
- Drill with appropriate bits
- 1/4", 3/8" and 7/16" Nut driver
- Junction box with cover (per local codes)
- Wire nuts
- Duct Tape
- Safety glasses
- 6" round 90° elbow
- 6" round duct, length to reach blower location
- 3-1/4" x 10" duct, sufficient length to reach the outdoor wall cap or roof cap.
- Electrical cable and connectors, sufficient length to connect the downdraft vent to the remote blower location. 14-gauge min. is recommended, must conform to local codes.

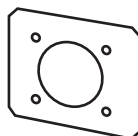
Parts Supplied



Package of Screws



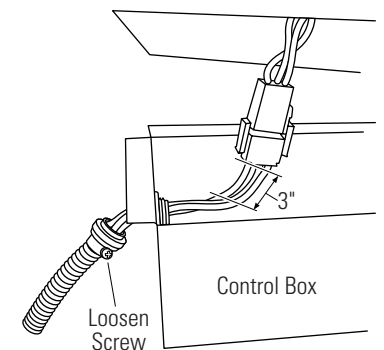
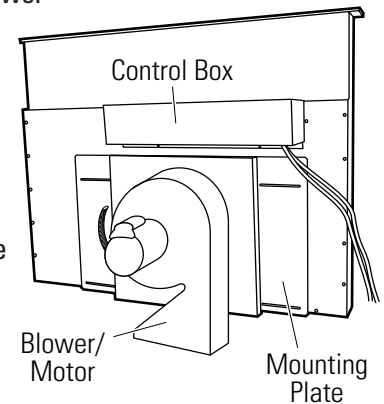
8 Hanger Brackets



2 Adapter Plates

STEP 1 PREPARE THE VENT

- Flatten the shipping box to use as a pad.
- Place the unit on its back and onto the protective pad.
- Remove the 3 screws holding the control box on the plenum. Retain screws.
- Cut the blower leads approximately 3" from the plug on the end of the vent.
- Remove the blower conduit by loosening the screw on the fitting.



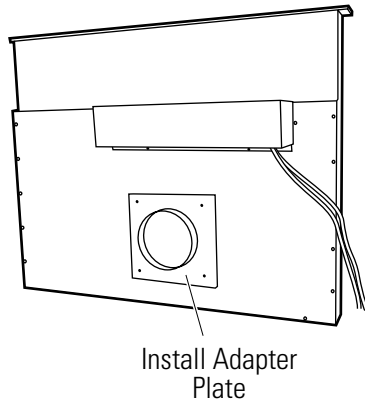
STEP 2 REMOVE THE BLOWER

- Remove the 4 screws holding the blower to the mounting plate. Retain all screws.
- Lift the blower off the assembly, turn it over to access the 4 nuts holding the blower to the mounting plate. Remove the nuts, lift the mounting plate off the blower.
- Reinstall the mounting plate onto the plenum with the 4 original screws.

IMPORTANT: Do not lift motor by power cable. Damage will occur!

STEP 3 INSTALL ADAPTER PLATE

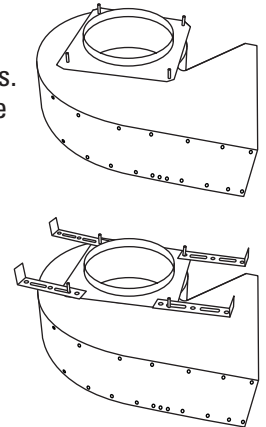
- Install an adapter plate over the mounting plate on the plenum with the flange towards the outside. Use 4 screws provided.



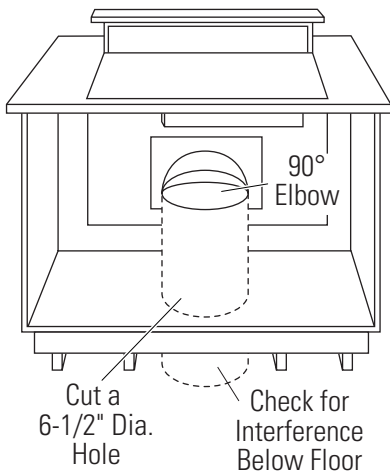
- Install the vent into the cabinet according to the installation instructions packed with the vent.

STEP 5 INSTALL ADAPTER PLATE, HANGER BRACKETS

- Place the other adapter plate over the 4 studs on the motor with the flange facing outwards.
- Place hanger brackets over the blower studs and secure with nuts. One bracket in each corner, as illustrated.
- Set the brackets to reach a 14-1/2" span between floor joists, or adjust to mate with the hole location in the floor above.
- Secure the blower to the joists with lag bolts provided.



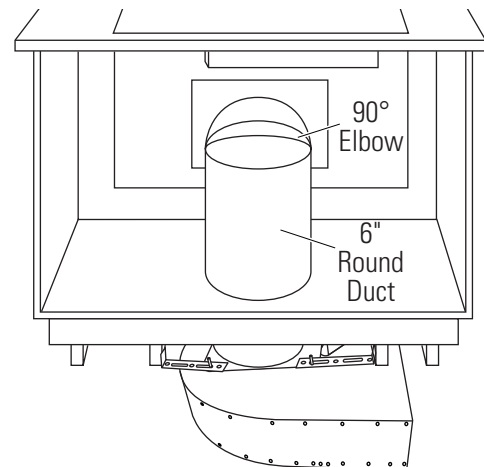
STEP 4 CUT DUCTWORK HOLES



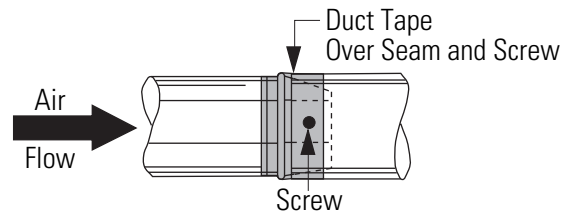
- Place the 90° elbow over the adapter plate.
 - Mark the location for a 6-1/2" round hole in the floor of the cabinet.
- NOTE:** Check to be sure there is no interference below the cabinet floor. The mounting plate on the plenum can be shifted 3-1/2" to the left or right sides.
- The blower will fit between floor joists, 16" on center. Or, provide a surface to attach the entire assembly to the underside of the floor.
 - Cut the hole through the cabinet and another hole through the floor below.

STEP 6 CONNECT DUCTWORK

- Install a section of 6" round duct through the cabinet floor and over the adapter plate on the motor. Tape to seal the joint.



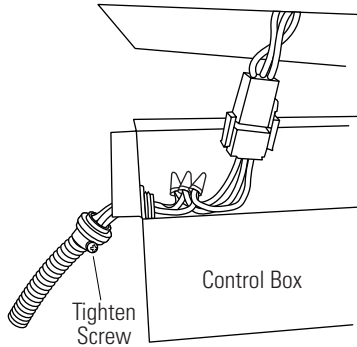
- Connect the plenum to the ductwork with 90° elbow.
- Install 3-1/4" x 10" duct to the blower outlet to reach the outside wall or roof cap.



- **DO NOT USE** flexible plastic ducting.
- Use the straightest duct run possible.
- For satisfactory performance the duct run should not exceed 150 ft. Refer to the table of equivalent lengths.
- Install ductwork so the piece of duct nearest the downdraft unit slots INTO the next piece of the duct. Secure the joints with self-tapping screws and apply duct tape around the joints to ensure an airtight seal.

STEP 7 CONNECT ELECTRICAL

- Use electrical wiring and connectors that conform to local codes (14 gauge min. is recommended). Use a length to reach between the vent and the blower/motor location.
- Attach the wires from the blower conduit to the end of new wiring.



- Thread the wires through the end of the control box. Use wire nuts to secure the wire to the 3" remaining wires with plug attached.
- Reinstall the control box onto the plenum.
- Tighten the screw on the fitting at the end of the control box.
- Install a junction box (per local code) within reach of the blower conduit.
- Use a conduit fitting to secure conduit to junction box. The red plastic anti-short bushing should be secured to the end of the conduit.
- Use wire nuts to connect wires. Push wires into the junction box and install the cover.

TEST OPERATION

- Turn power on at the circuit breaker. Plug power cord into a properly grounded receptacle.
- Refer to the Downdraft Vent Owner's Manual for operating instructions.